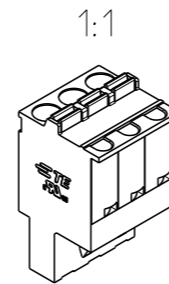
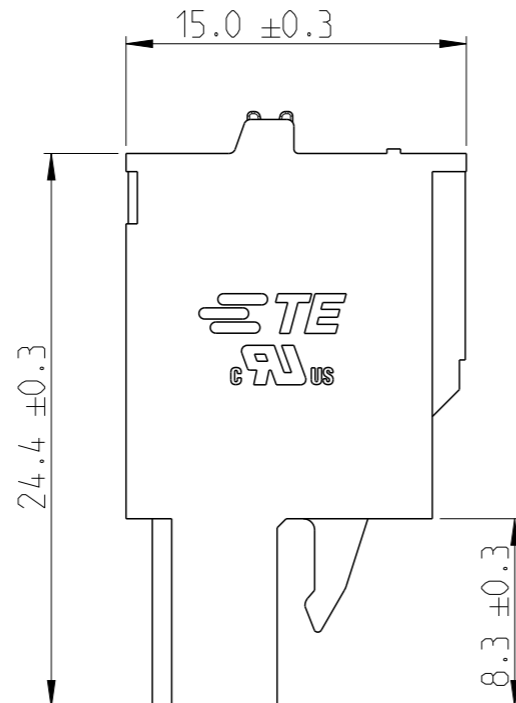
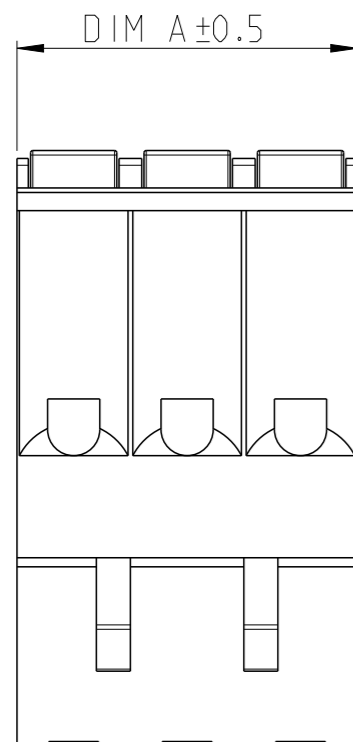


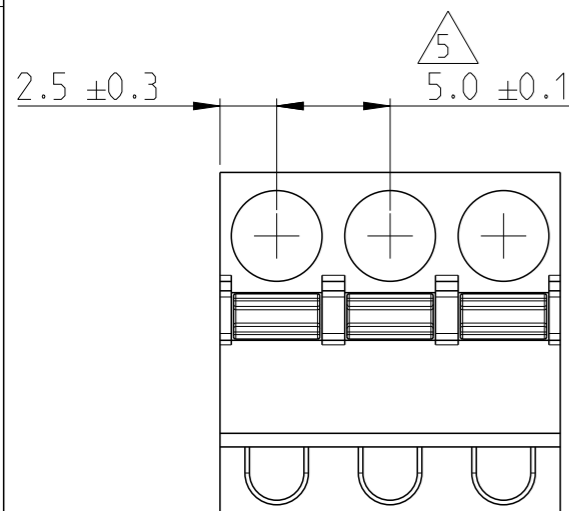
P	LTR	DESCRIPTION	DATE	DWN	APVD
A		RELEASED FOR PRODUCTION	06AUG2019	RK	PS



NOTES:

- MATERIALS & FINISH
 HOUSING : PA66, UL94 V0, COLOR - GREEN
 PUSH BUTTON : PA66, COLOR - ORANGE.
 CONTACT : COPPER ALLOY, TIN PLATED
 SPRING : STAINLESS STEEL
- MECHANICAL
 WIRE STRIPPING LENGTH : 12-13 mm
- ELECTRICAL
 WIRE RANGE : 12-26 AWG
 RATED VOLTAGE : 300V
 RATED CURRENT : 16A
 INSULATION RESISTANCE : >2000 M Ohm (500V DC)
- OPERATING TEMPERATURE RANGE : -40°C TO +105°C

△ 5 TOLERANCE NOT CUMULATIVE



80.0	16	1-2350397-6
75.0	15	1-2350397-5
70.0	14	1-2350397-4
65.0	13	1-2350397-3
60.0	12	1-2350397-2
55.0	11	1-2350397-1
50.0	10	1-2350397-0
45.0	9	2350397-9
40.0	8	2350397-8
35.0	7	2350397-7
30.0	6	2350397-6
25.0	5	2350397-5
20.0	4	2350397-4
15.0	3	2350397-3
10.0	2	2350397-2
DIM A	NO. OF POS	PART NUMBER

THIS DRAWING IS A CONTROLLED DOCUMENT.		DWN 08APR2019 RAGHAVENDRA.K	TE Connectivity				
DIMENSIONS: mm		CHK 01JUL2019 KARTHIK.JK			NAME SPRING FEMALE PLG, GREEN 5.00mm PITCH		
TOLERANCES UNLESS OTHERWISE SPECIFIED:		APVD 02JUL2019 PRASHANH.S	PRODUCT SPEC				
0 PLC ± 1 PLC ± 2 PLC ± 3 PLC ± 4 PLC ± ANGLES ±		APPLICATION SPEC	SIZE	CAGE CODE	DRAWING NO	RESTRICTED TO	
MATERIAL SEE NOTES		FINISH SEE NOTES	WEIGHT	A3	00779	©-2350397	-
-		CUSTOMER DRAWING		SCALE	3:1	SHEET	1 OF 1
-		-				REV	A

X-ON Electronics

Largest Supplier of Electrical and Electronic Components

Click to view similar products for [Pluggable Terminal Blocks](#) category:

Click to view products by [TE Connectivity](#) manufacturer:

Other Similar products are found below :

[57.510.0053](#) [MC 1.5/ 6-ST-3.5 GY AU](#) [ET02015000J0G](#) [734-104](#) [734-302](#) [8-141-P](#) [8426620000](#) [860505](#) [860516](#) [860810](#) [GBPACX-12](#)
[PV05-5,08-K](#) [PVP02-5,00](#) [PVP03-3,50](#) [PVP04-3,50](#) [PVS02-5,00](#) [1-1986160-3](#) [1377680000](#) [1531000000](#) [1546228-5](#) [ELFH16150](#)
[ELFP03110](#) [ELFP10210](#) [ELFT06250](#) [ELVP03100](#) [1700101](#) [1700410](#) [1700425](#) [1702246](#) [1705229](#) [1710175](#) [1714537](#) [1717806](#) [1719600](#)
[1728941](#) [1734692](#) [1734795](#) [1736036](#) [1740194](#) [1740628](#) [1740990](#) [1746952](#) [1750207](#) [1752441](#) [1752865](#) [1754115](#) [1754144](#) [1756913](#)
[1760051](#) [1760336](#)