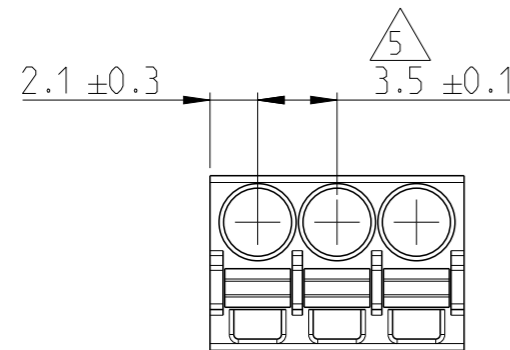
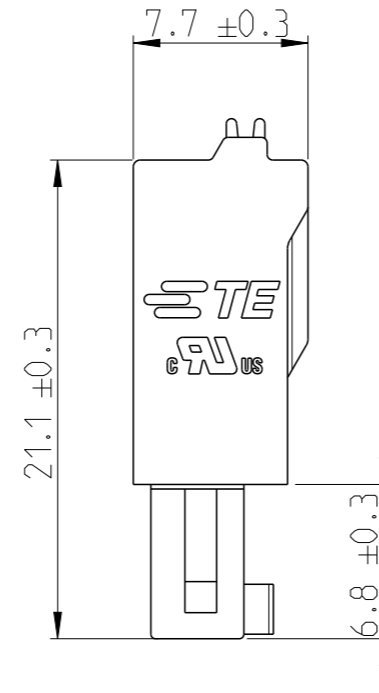
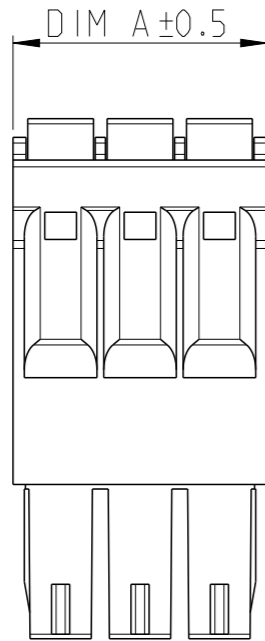


P	LTR	DESCRIPTION	DATE	DWN	APVD
A		RELEASED FOR PRODUCTION	06AUG2019	RK	PS

1:1



NOTES:

- MATERIALS & FINISH  
 HOUSING : PA66, UL94 V0, COLOR - GREEN  
 PUSH BUTTON : PA66, COLOR - ORANGE.  
 CONTACT : COPPER ALLOY, TIN PLATED  
 SPRING : STAINLESS STEEL
- MECHANICAL  
 WIRE STRIPPING LENGTH : 9.0-10.0 mm
- ELECTRICAL  
 WIRE RANGE : 16-24 AWG  
 RATED VOLTAGE : 150V  
 RATED CURRENT : 8A  
 INSULATION RESISTANCE : >2000 M Ohm (500V DC)
- OPERATING TEMPERATURE RANGE : -40°C TO +105°C

△ TOLERANCE NOT CUMULATIVE

56.7	16	1-2350398-6
53.2	15	1-2350398-5
49.7	14	1-2350398-4
46.2	13	1-2350398-3
42.7	12	1-2350398-2
39.2	11	1-2350398-1
35.7	10	1-2350398-0
32.2	9	2350398-9
28.7	8	2350398-8
25.2	7	2350398-7
21.7	6	2350398-6
18.2	5	2350398-5
14.7	4	2350398-4
11.2	3	2350398-3
7.7	2	2350398-2
DIM A	NO. OF POS	PART NUMBER

THIS DRAWING IS A CONTROLLED DOCUMENT.		DWN 05APR2019 RAGHAVENDRA.K	TE Connectivity				
DIMENSIONS: mm		CHK 01JUL2019 KARTHIK.JK					
TOLERANCES UNLESS OTHERWISE SPECIFIED:		APVD 02JUL2019 PRASHANTH.S	NAME SPRING FEMALE PLUG, GREEN 3.50mm PITCH				
0 PLC ± 1 PLC ± 2 PLC ± 3 PLC ± 4 PLC ± ANGLES ±		PRODUCT SPEC -	APPLICATION SPEC -				
MATERIAL SEE NOTES		FINISH SEE NOTES	WEIGHT -	SIZE A3	CAGE CODE 00779	DRAWING NO C-2350398	RESTRICTED TO -
CUSTOMER DRAWING			SCALE 3:1	SHEET 1 OF 1	REV A		

## X-ON Electronics

Largest Supplier of Electrical and Electronic Components

*Click to view similar products for [Pluggable Terminal Blocks](#) category:*

*Click to view products by [TE Connectivity](#) manufacturer:*

Other Similar products are found below :

[57.510.0053](#) [MC 1.5/ 6-ST-3.5 GY AU](#) [734-104](#) [734-302](#) [8-141-P](#) [8426620000](#) [860505](#) [860516](#) [860810](#) [GBPACX-12](#) [93.731.4953.0](#) [PV05-5,08-K](#) [PVP02-5,00](#) [PVP03-3,50](#) [PVP04-3,50](#) [PVS02-5,00](#) [1-1986160-3](#) [1377680000](#) [1531000000](#) [1546228-5](#) [ELFH16150](#) [ELFP03110](#) [ELFP10210](#) [ELFT06250](#) [ELVP03100](#) [1700101](#) [1700410](#) [1700425](#) [1702246](#) [1705229](#) [1710175](#) [1714537](#) [1717806](#) [1719600](#) [1728941](#) [1734692](#) [1734795](#) [1736036](#) [1740194](#) [1740291](#) [1740628](#) [1740990](#) [1746952](#) [1750207](#) [1752441](#) [1752865](#) [1754115](#) [1754144](#) [1756913](#) [1760051](#)