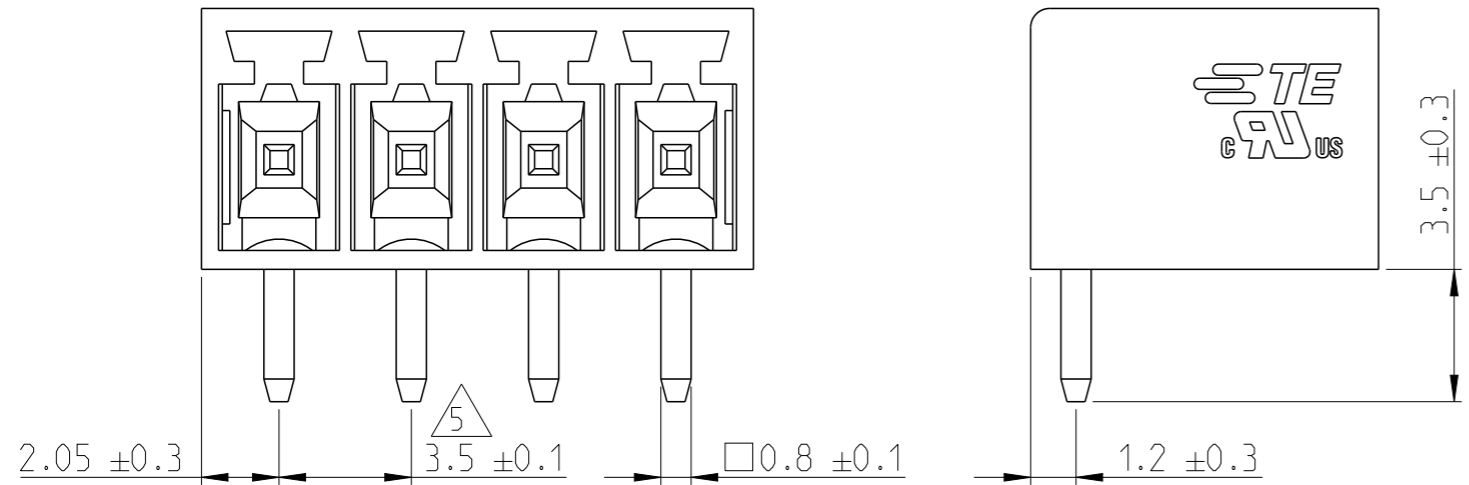
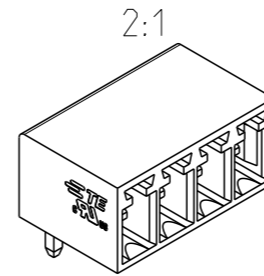
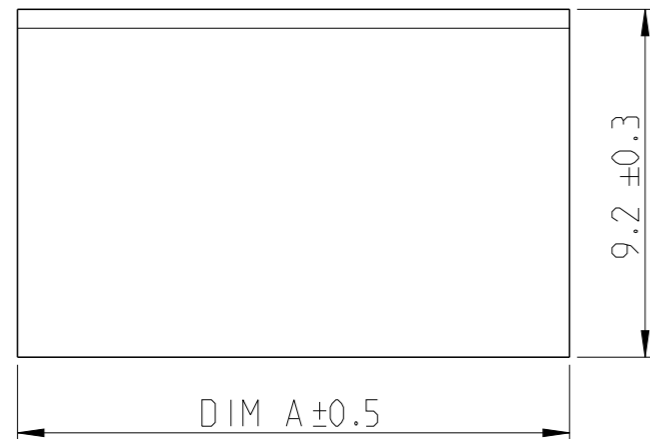


P	LTR	DESCRIPTION	DATE	DWN	APVD
A		RELEASED FOR PRODUCTION	06AUG2019	RK	PS

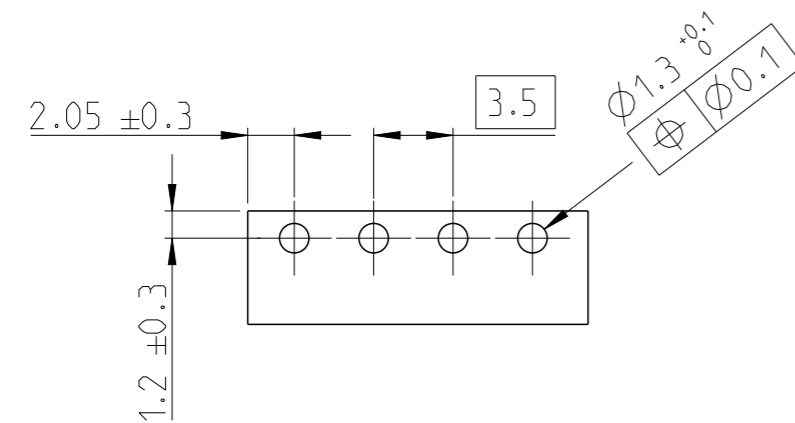


NOTES:

- MATERIAL AND FINISH:
HOUSING : POLYAMIDE 66, UL94V-0, COLOR GREEN.
TERMINAL : COPPER ALLOY, TIN PLATED.
 - MECHANICAL
MIN. PC BOARD HOLES DIAMETER : 1.3 mm
 - ELECTRICAL
RATED VOLTAGE : 150 V
RATED CURRENT : 12 A
INSULATION RESISTANCE : >2000 M Ohm (500V DC)
 - OPERATING TEMPERATURE RANGE: -40°C TO +105°C
- △ NOT CUMULATIVE TOLERANCE.



56.6	16	1-2350514-6
53.1	15	1-2350514-5
49.6	14	1-2350514-4
46.1	13	1-2350514-3
42.6	12	1-2350514-2
39.1	11	1-2350514-1
35.6	10	1-2350514-0
32.1	9	2350514-9
28.6	8	2350514-8
25.1	7	2350514-7
21.6	6	2350514-6
18.1	5	2350514-5
14.6	4	2350514-4
11.1	3	2350514-3
7.6	2	2350514-2
DIM A	NO. OF POS	PART NUMBER



RECOMMENDED PC BOARD LAYOUT

THIS DRAWING IS A CONTROLLED DOCUMENT.		DWN 12APR2019 RAGHAVENDRA.K	TE Connectivity	
DIMENSIONS: mm		CHK 01JUL2019 KARTHIK.JK		
TOLERANCES UNLESS OTHERWISE SPECIFIED:		APVD 02JUL2019 PRASHANTH.S	NAME HEADER 90 DEG. 3.5MM PITCH TAIL LENGTH 3.5mm	
0 PLC ± 1 PLC ± 2 PLC ± 3 PLC ± 4 PLC ± ANGLES ±		PRODUCT SPEC -	APPLICATION SPEC -	
MATERIAL SEE NOTES		FINISH SEE NOTES	WEIGHT -	RESTRICTED TO -
-		CUSTOMER DRAWING		SCALE 3:1 SHEET 1 OF 1 REV A

X-ON Electronics

Largest Supplier of Electrical and Electronic Components

Click to view similar products for [Barrier Terminal Blocks](#) category:

Click to view products by [TE Connectivity](#) manufacturer:

Other Similar products are found below :

[CR151D20104](#) [670A-RZ-15-KT20](#) [6C1N03](#) [6PCR-02](#) [6PCR-02-008](#) [6PCR-05-008](#) [6PCR-08-008](#) [6PCR-09-008](#) [6PCR-13-006](#) [6PCR-15-006](#) [6PCR-21-006](#) [6PCV-06-008](#) [6PCV-06-716](#) [6PCV-09-001](#) [6PCV-10-009](#) [6PCV-15-008](#) [6PCV-17-1206](#) [6PCV-20-323](#) [6PCV-20-720](#) [6PCV-30-006](#) [6STR-06-006](#) [6STR-08-006](#) [6STR-12-008](#) [6STR-13-006](#) [6STR-14-008](#) [6STR-16-008](#) [6STR-17-008](#) [6STR-21-008](#) [6STR-25-008](#) [6STR-27-008](#) [6STV-03-006](#) [6STV-03-008](#) [6STV-04-006](#) [6STV-09-006](#) [6STV-10-006](#) [6WWR-03-693](#) [6WWV-12-008](#) [72212603](#) [72504-C-50](#) [72506-C](#) [72507-C-50](#) [73203](#) [75505-C](#) [75505-C-50](#) [75510-C](#) [77010-50](#) [7C1N08](#) [812-GP-3/4ST-09](#) [8-1437402-5](#) [8-1437402-7](#)