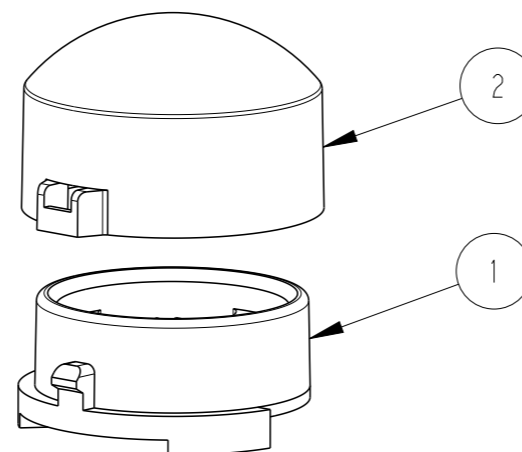
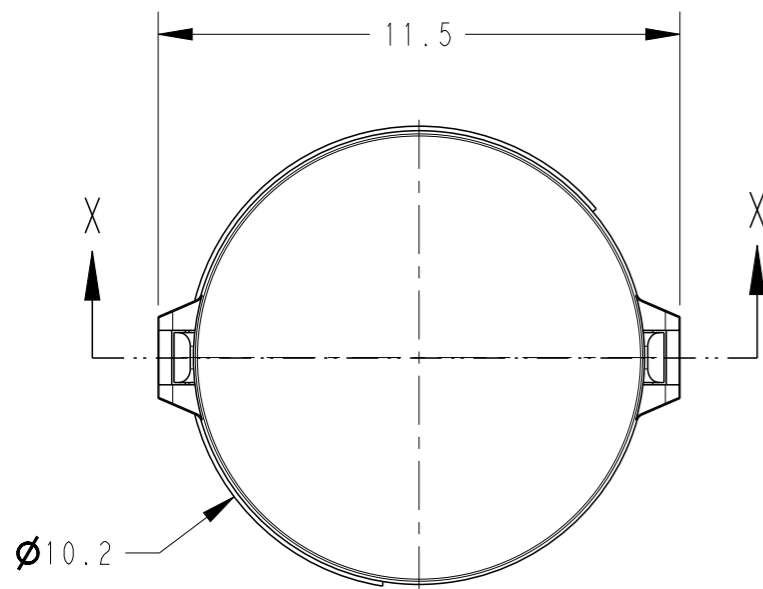


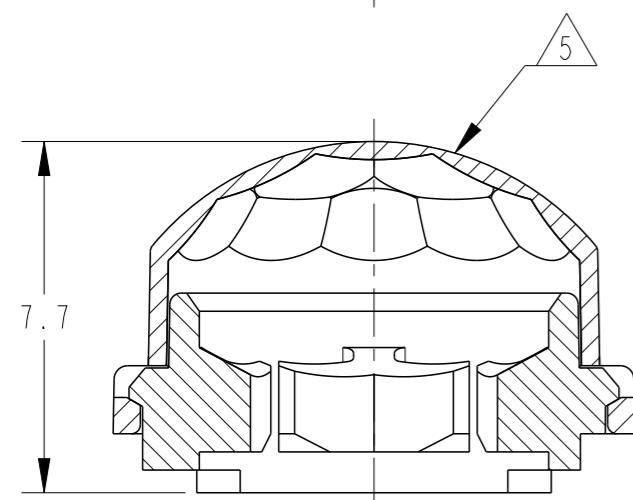
P	LTR	DESCRIPTION	DATE	DWN	APVD
A		RELEASED FOR PRODUCTION	06SEP2019	SM	JC



SCALE 4:1

NOTES:

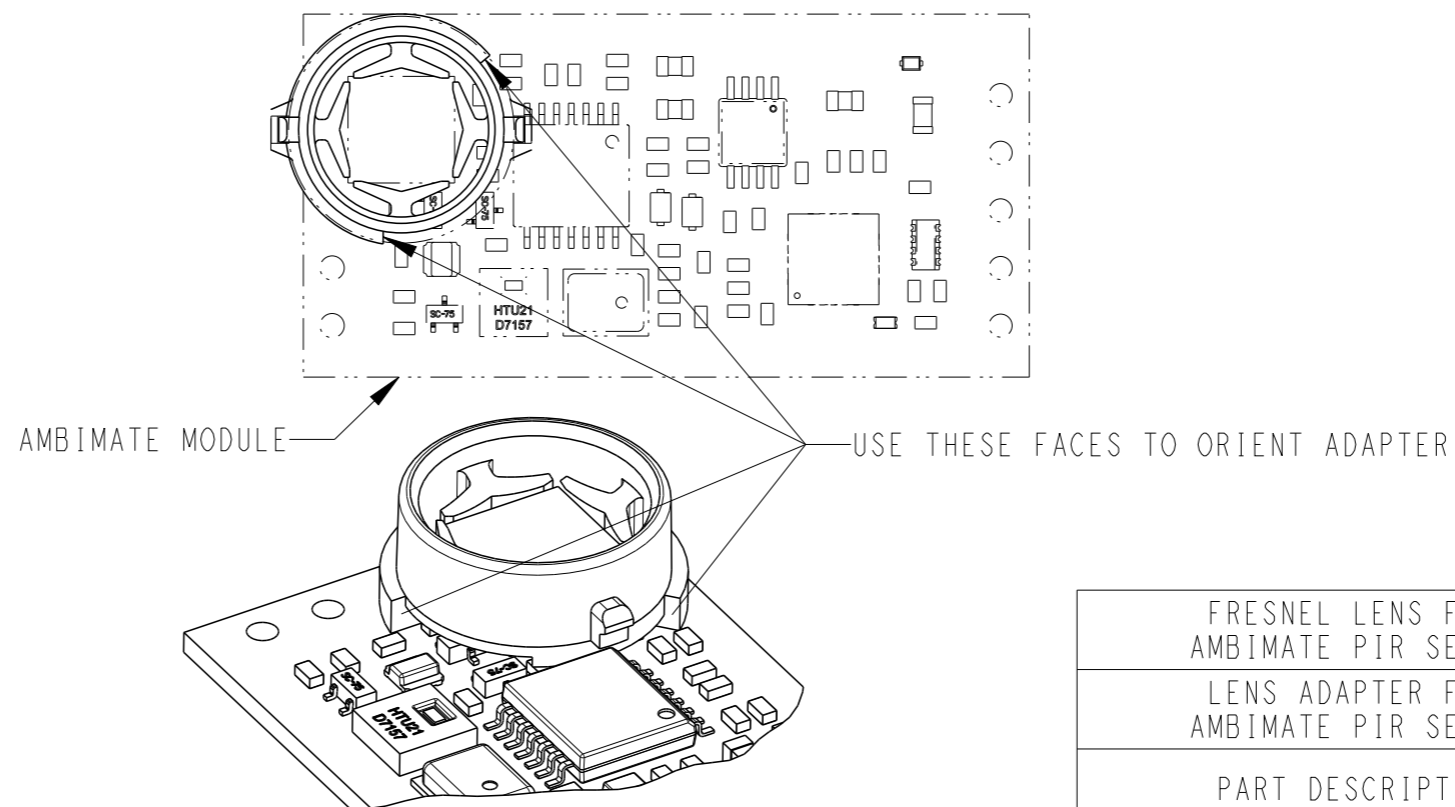
1. LENS COMPATIBLE FOR MURATA PIR SENSOR.
2. MATERIAL: LENS- HDPE, NATURAL  
ADAPTER- PBT, WHITE
3. PARTS SUPPLIED LOOSE IN BAGS. TO BE SNAPPED TOGETHER AS RECOMMENDED.
4. INSTRUCTIONS: PUSH-IN THE LENS ASSEMBLY ON PIR SENSOR AS PER THE ORIENTATION SHOWN. ENSURE LENS ADAPTER RESTS FLAT ON PCBA.  
NOTE: LENS ASSEMBLY CAN BE RE-ASSEMBLED
5. DONT NOT PRESS ON TO LENS DOME.
6. REFER SHEET 2 FOR OPTICAL INFORMATION.



SECTION X-X 3

PN 2350529-1 AS SHOWN AFTER ASSEMBLY

ASSEMBLY VIEW 4  
LENS ADAPTER ORIENTATION FOR REFERENCE ONLY



FRESNEL LENS FOR AMBIMATE PIR SENSOR	2345266-1	2
LENS ADAPTER FOR AMBIMATE PIR SENSOR	2345267-1	1
PART DESCRIPTION	TE PN	ITEM NO.

THIS DRAWING IS A CONTROLLED DOCUMENT.

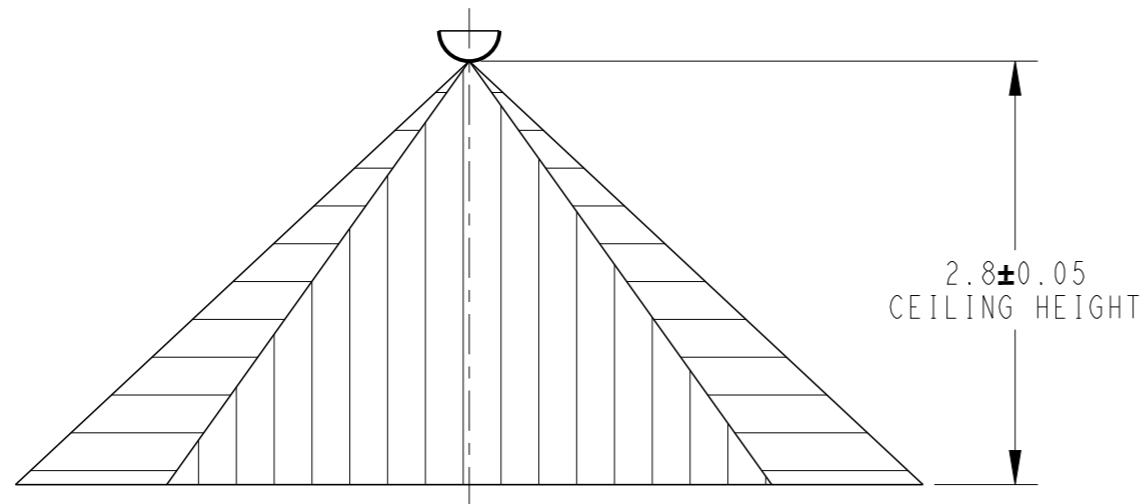
DIMENSIONS:	TOLERANCES UNLESS OTHERWISE SPECIFIED:
mm	
	0 PLC ±-
	1 PLC ±0.25
	2 PLC ±0.1
	3 PLC ±-
	4 PLC ±-
	ANGLES ±-
MATERIAL	FINISH
SEE NOTES	-

DWN	RAVI.S	02APR2019
CHK	SUBHASH.M	02APR2019
APVD	J.CATCHPOLE	06SEP2019
PRODUCT SPEC	-	-
APPLICATION SPEC	-	-
WEIGHT	-	-
CUSTOMER DRAWING		

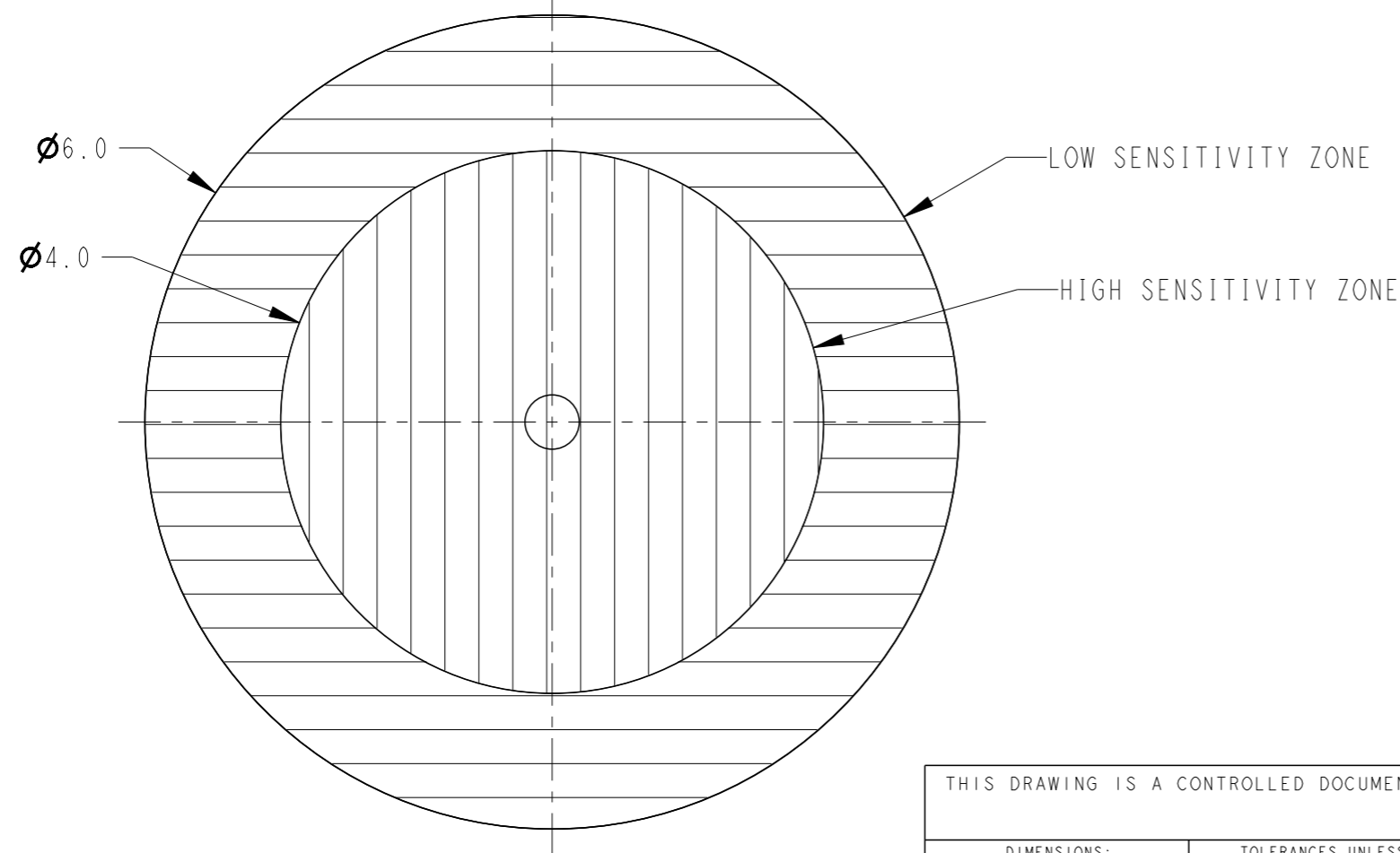
<b>TE</b> TE Connectivity			
NAME PIR LENS ADAPTER- KIT			
SIZE	CAGE CODE	DRAWING NO	RESTRICTED TO
A3	00779	©-2350529	-
SCALE		SHEET	REV
6:1		1 OF 2	A

P	LTR	DESCRIPTION	DATE	DWN	APVD
-	-	SEE SHEET 1	-	-	-

LENS FEILD OF VIEW  
ALL DIMENSION ARE IN METERS  
NOT TO SCALE



FLOOR VIEW



THIS DRAWING IS A CONTROLLED DOCUMENT.		DWN	RAVI.S	02APR2019		
DIMENSIONS: mm		CHK	SUBHASH.M	02APR2019		
		APVD	J.CATCHPOLE	06SEP2019		
TOLERANCES UNLESS OTHERWISE SPECIFIED:		PRODUCT SPEC	-			
0 PLC ±- 1 PLC ±0.25 2 PLC ±0.1 3 PLC ±- 4 PLC ±- ANGLES ±-		APPLICATION SPEC	-		NAME	PIR LENS ADAPTER- KIT
MATERIAL		WEIGHT	-		SIZE	A3
SEE NOTES		FINISH	-		CAGE CODE	00779
		CUSTOMER DRAWING			DRAWING NO	C-2350529
		SCALE	6:1		SHEET	2 OF 2
		RESTRICTED TO			REV	A

## X-ON Electronics

Largest Supplier of Electrical and Electronic Components

*Click to view similar products for [Sensor Fixings & Accessories](#) category:*

*Click to view products by [TE Connectivity](#) manufacturer:*

Other Similar products are found below :

[F03-01 SUS304 BINIL](#) [8000-5130](#) [FH-AP1](#) [PH-1-10M](#) [PH-1-20M](#) [PH-2-30M](#) [AC201](#) [R4](#) [ADI-LC3S](#) [E39-L149](#) [EC18-WELL](#) [PC-15015](#)  
[K35-4](#) [A-1923](#) [SS-12143](#) [STA12](#) [AP4-T](#) [PH-1-50M](#) [R6](#) [D01051301](#) [43912557-020](#) [MF-1 D=3.2](#) [BGN-035](#) [E39-L7](#) [ZX-SB11](#) [D01070602](#)  
[606072](#) [606075](#) [Y92ES12PVC4A10ML](#) [Y92ES12PVC4S5ML](#) [SA9Z-F11](#) [Z49-SF1](#) [ZFV-XMF2](#) [E4R-R12A-CS3M010](#) [ZX-SW11E V3](#)  
[CCS-PL-LDR2-70](#) [E4R-R12A-CS3M020](#) [BS-1T CHITAN](#) [F03-01 CHITAN](#) [CCS-PD2-1012](#) [PH-2-90M](#) [PH-2-5M](#) [XMLZL008](#) [AC244](#)  
[28810-1](#) [PH-1-40M](#) [SS-12225](#) [32043-500](#) [81532111](#) [PH-2-60M](#)