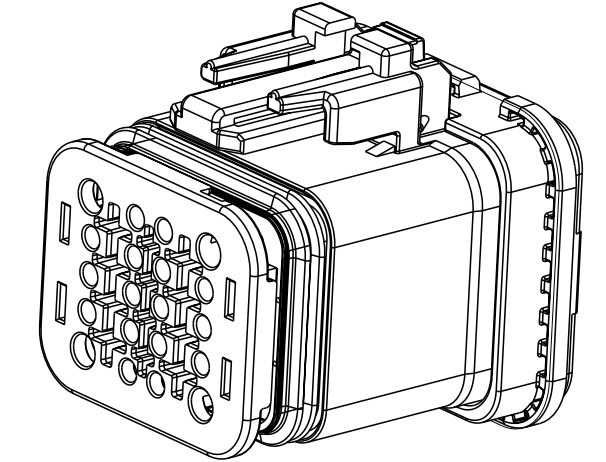
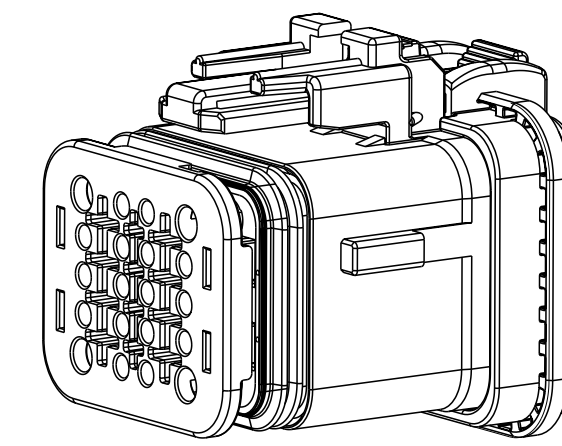
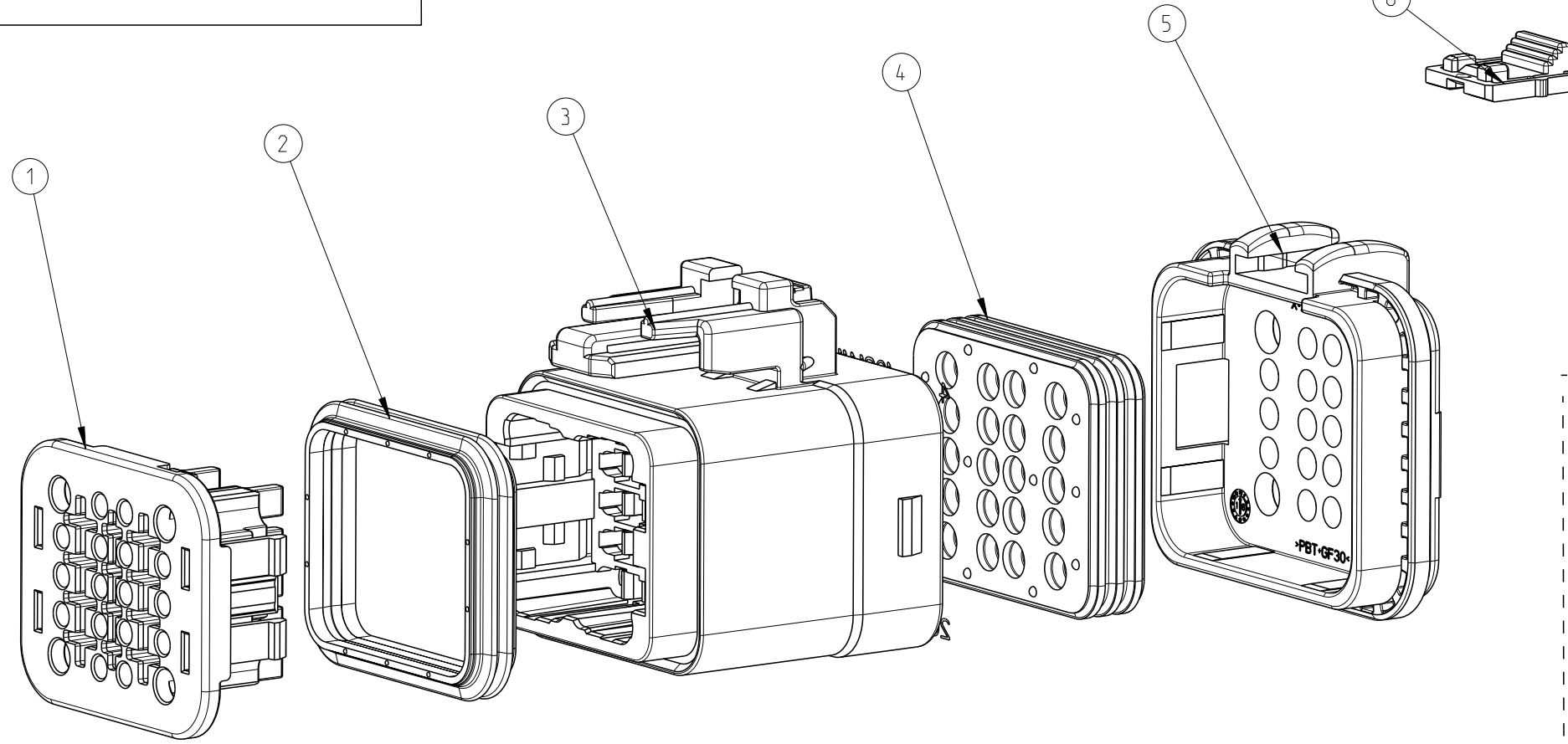
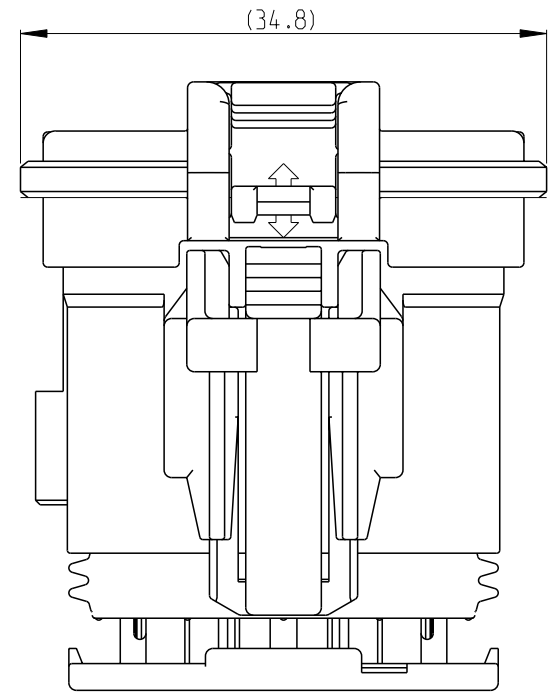


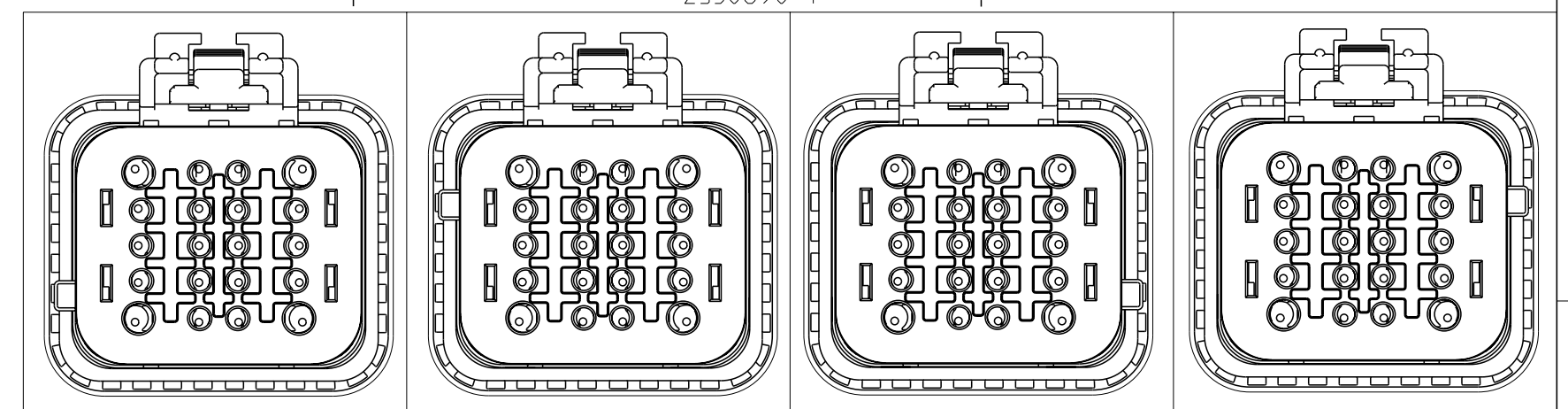
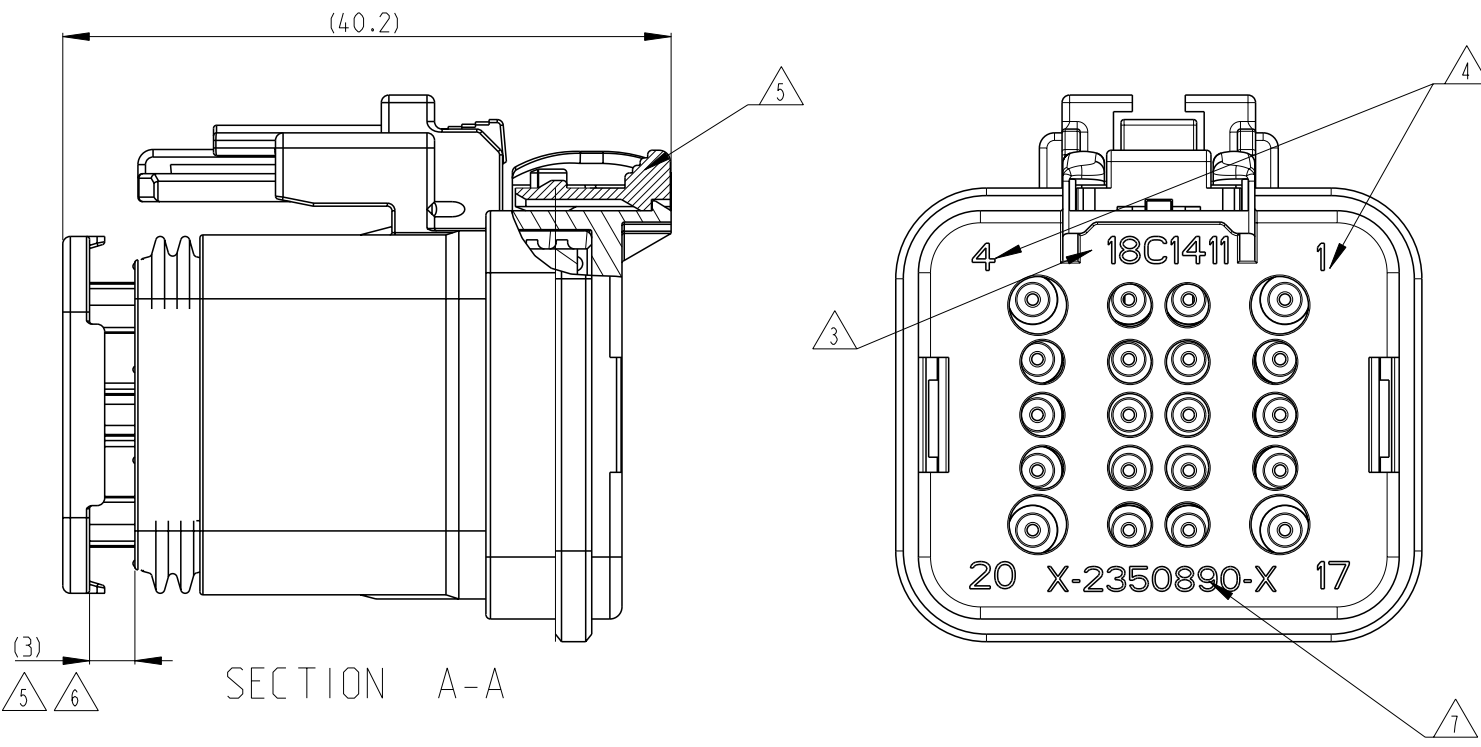
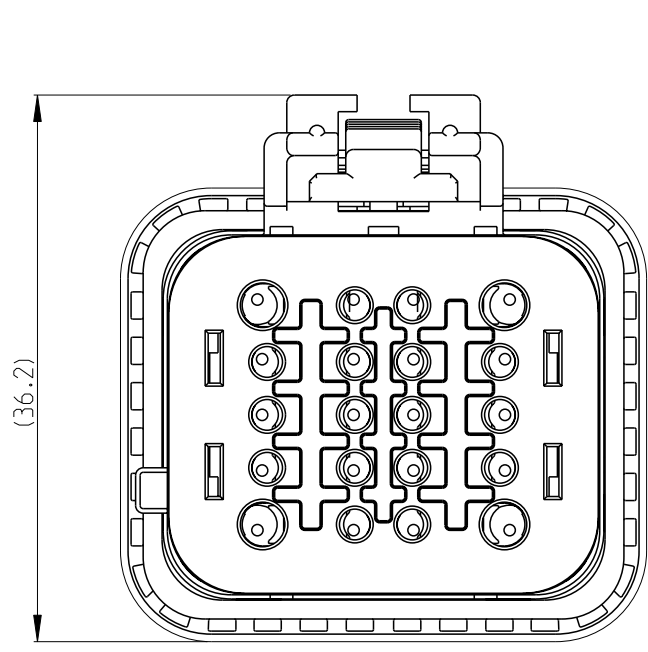
THIS DRAWING IS UNPUBLISHED. RELEASED FOR PUBLICATION
 © COPYRIGHT copyright_date BY - ALL RIGHTS RESERVED.

| REVISIONS | | | | | |
|-----------|-----|-------------------|-----------|-----|------|
| P | LTR | DESCRIPTION | DATE | DWN | APVD |
| A | | INITIAL RELEASE | 28MAR2019 | C.W | I.Y |
| A1 | | ECR-20-000774 | 21JAN2019 | C.W | E.J |
| A2 | | ECR-20-000774 | 26FEB2020 | C.W | E.J |
| A3 | | SEE ECR-21-003354 | 19MAR2021 | L.G | I.Y |



VIEW FOR CPA VERSION
 PN: 2350890-1
 2350890-2
 2350890-3
 2350890-4

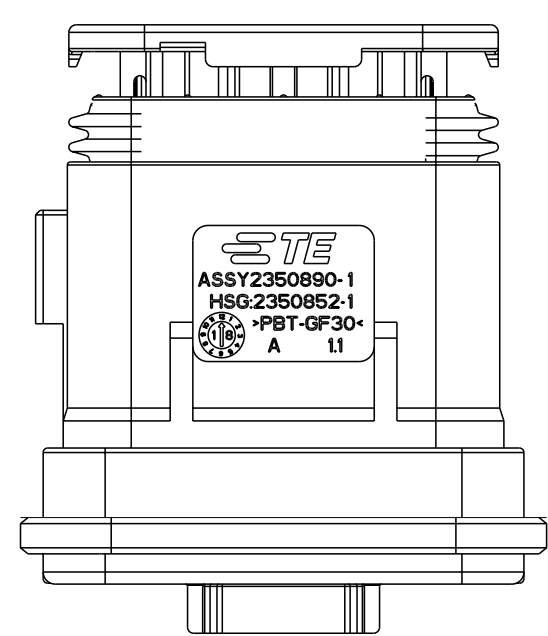
VIEW FOR NO CPA VERSION
 PN: 1-2350890-1
 1-2350890-2
 1-2350890-3
 1-2350890-4



| CODING A PN:2350890-1 1-2350890-1 | | | | CODING B PN:2350890-2 1-2350890-2 | | | | CODING C PN:2350890-3 1-2350890-3 | | | | CODING D PN:2350890-4 1-2350890-4 | | | |
|---|------|------|------|---|------|------|------|---|----------|----------------|----------|---|---------|--|--|
| - | - | - | - | 1 | 1 | 1 | 1 | RED | PBT-GF15 | CPA | 6 | | | | |
| 1 | - | - | - | 1 | - | - | - | BLUE | PBT-GF30 | REAR CAP | 5 | | | | |
| - | 1 | - | - | - | 1 | - | - | GREEN | | | | | | | |
| - | - | 1 | - | - | - | 1 | - | GRAY | | | | | | | |
| - | - | - | 1 | - | - | - | 1 | BLACK | VMQ | GROMMET | 4 | | | | |
| 1 | 1 | 1 | 1 | 1 | 1 | 1 | 1 | RED | PBT-GF30 | HOUSING.CODE D | 3 | | | | |
| 1 | - | - | - | 1 | - | - | - | BLUE | PBT-GF30 | HOUSING.CODE C | | | | | |
| - | 1 | - | - | - | 1 | - | - | GREEN | PBT-GF30 | HOUSING.CODE B | | | | | |
| - | - | 1 | - | - | - | 1 | - | GREY | PBT-GF30 | HOUSING.CODE A | | | | | |
| - | - | - | 1 | - | - | - | 1 | BLACK | PBT-GF30 | HOUSING.CODE A | | | | | |
| 1 | 1 | 1 | 1 | 1 | 1 | 1 | 1 | RED | VMQ | RADIAL SEAL | 2 | | | | |
| 1 | 1 | 1 | 1 | 1 | 1 | 1 | 1 | YELLOW | PBT-GF30 | TPA | 1 | | | | |
| QTY. REQUEST PER ASSY | | | | | | | | | | COLOR | MATERIAL | DESCRIPTION | ITEM NO | | |
| 25.5 | 25.5 | 25.5 | 25.5 | 25.9 | 25.9 | 25.9 | 25.9 | WEIGHT OF EACH ASSY(g) | | | | | | | |
| A | A | A | A | A | A | A | A | REVISION OF EACH ASSY NO. | | | | | | | |
| 1--4 | 1--3 | 1--2 | 1--1 | --4 | --3 | --2 | --1 | TE ASSEMBLY PN | | | | | | | |

- NOTES:
- THIS PLUG MATES WITH TAB HOUSING ASSEMBLY PN 2350891-X, 1-2350891-X OR 2-2350891-X (X=1, 2, 3, 4 FOR VARIOUS CODE).
 - MATERIAL: HOUSING: PBT GF30, SEE PN TABLE FOR COLOR
 TPA: PBT GF30, YELLOW
 FRONT SEAL: VMQ(ORANGE)
 GROMMET: VMQ(RED)
 REAR CAP: PBT GF30, BLACK
 - DATE CODE: IDENTIFIES THE YEAR, MONTH, DAY AND HOUR OF ASSEMBLY.
 YEAR: FIRST AND SECOND DIGITS(17=2017)
 MONTH: THIRD DIGIT , EXCLUDING 1 , A=JAN, B=FEB, C=MARCH...(K=OCTOBER)
 DAY: FOURTH AND FIFTH DIGITS(14=14th DAY)
 HOUR: SIXTH AND SEVENTH DIGITS(11=11AM)
 - IDENTIFICATION FOR CABLE PINOUT.
 - TPA AND CPA SEATED ON PRE-LOCK POSITION FOR DELIVERY.
 - PULL TPA TO PRE-LOCK BEFORE TERMINAL INSERTION IN CASE OF TPA BEING HIT TO END-LOCK POSITION.
 - PART NO.
 - REFER TO 114-151001 FOR DT SIZE 16 TERMINAL APPLICATION SPECIFICATION.
 REFER TO 114-151003 FOR DT SIZE 20 TERMINAL APPLICATION SPECIFICATION.
 APPLICABLE TERMINAL PART NUMBERS AND WIRE SIZE:

| TERMINAL PN | WIRE SIZE (MM2) | INSULATION W IRES(MM) | PINOUT NUMBER |
|-------------|-----------------|-----------------------|---------------|
| 16# | 0.5~2.5 | Ø1.40~Ø3.00 | 1, 4, 17, 20 |
| 20# | 0.5~1.5 | Ø1.40~Ø2.40 | OTHER PINS |



THIS DRAWING IS A CONTROLLED DOCUMENT.

DWN: C.WAN 01MAR2019
 CHK: E.JIANG 28MAR2019
 APVD: J.LYIN 28MAR2019

PRODUCT SPEC: 108-101662
 APPLICATION SPEC: -

NAME: PLUG ASSEMBLY NTS 20Pos CONNECTOR DEUTSCH TERMINAL HYBRID CONNECTOR

SIZE: A2 CAGE CODE: 00779 DRAWING NO: C-2350890 RESTRICTED TO: -

CUSTOMER DRAWING SCALE: 1:1 SHEET: 1 OF 1 REV: A3

printed on 19 Mar 2021 10:47 (China Standard Time) from TE426590

X-ON Electronics

Largest Supplier of Electrical and Electronic Components

Click to view similar products for [Automotive Connectors](#) category:

Click to view products by [TE Connectivity](#) manufacturer:

Other Similar products are found below :

[003-018-000](#) [60993906-B](#) [M902-2131](#) [M902-2161](#) [M902-2344](#) [72.330.1035.1](#) [73.353.4028.0](#) [F166900](#) [F358300-B](#) [F407400](#) [776880-1](#)
[827153-1](#) [8N1515-32-24P](#) [9-1326729-8](#) [925474-1](#) [928905-1](#) [964562-4](#) [968782-1](#) [98891-1012](#) [12004475-L](#) [12020308](#) [12041318-B](#)
[12052466](#) [12064869](#) [12015909](#) [1-21030-1](#) [12041254](#) [12041318](#) [12047946-B](#) [12110546-B](#) [12131792](#) [12084688](#) [12092346](#) [HD34-18-14PT](#)
[HD46-24-23SN-059](#) [HDB36-24-16PN-059](#) [HDP26-24-9SE-L015](#) [12185280](#) [12185550](#) [12336-12](#) [12191172-B](#) [12S](#) [13545280](#) [13577943](#)
[13681974](#) [13737722-B](#) [13830674](#) [13832576](#) [13849772](#) [13542772](#)