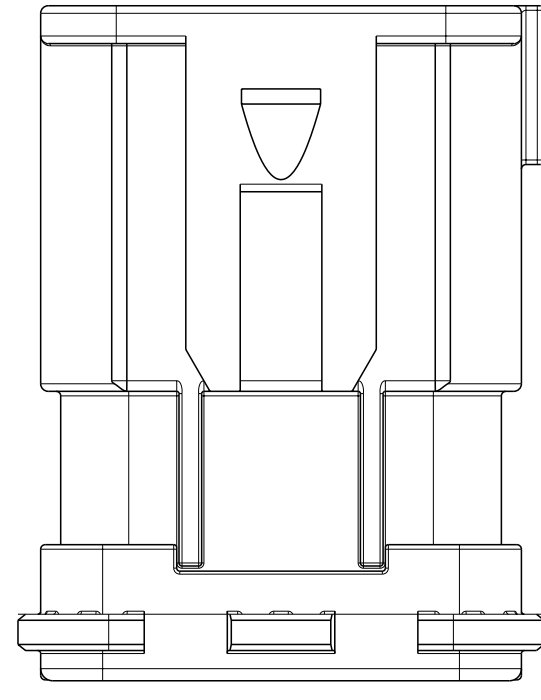
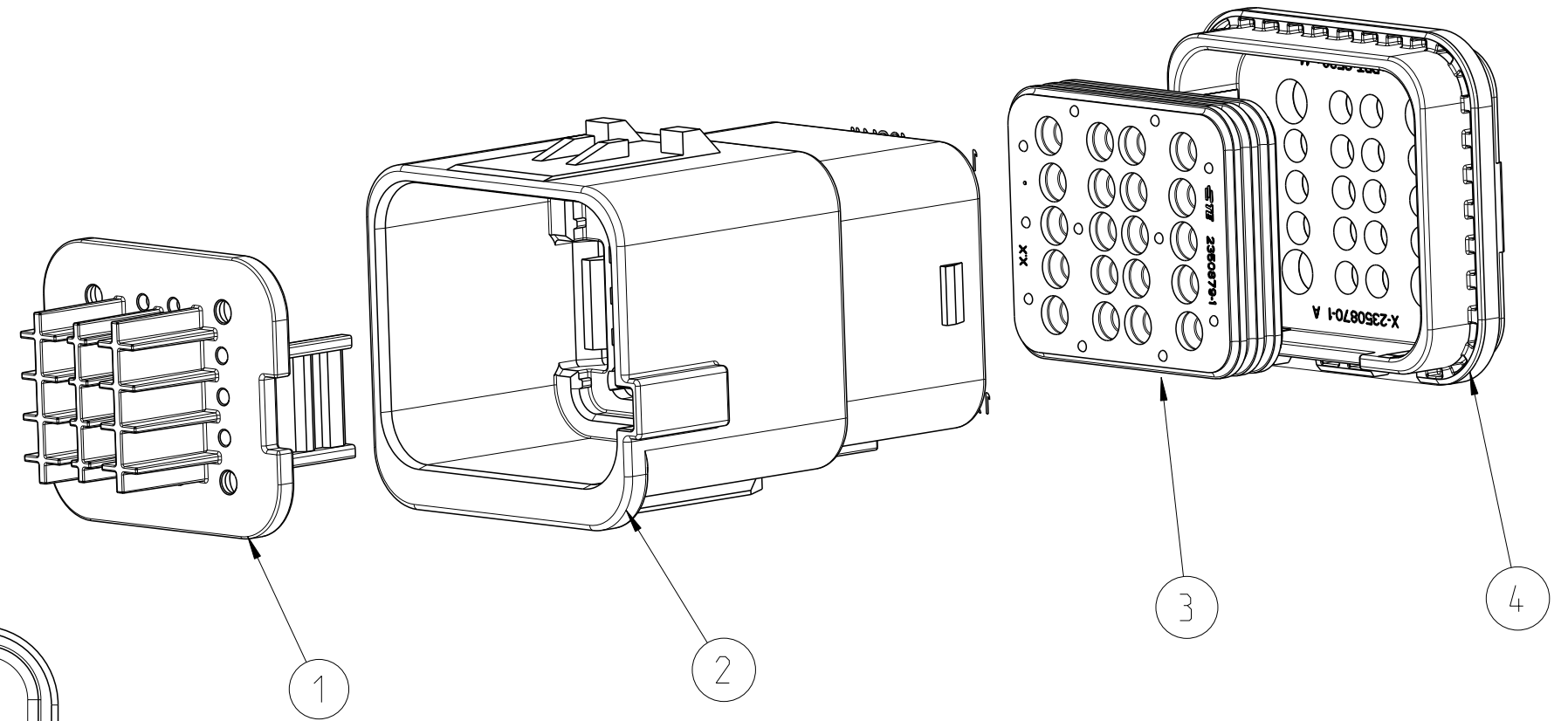
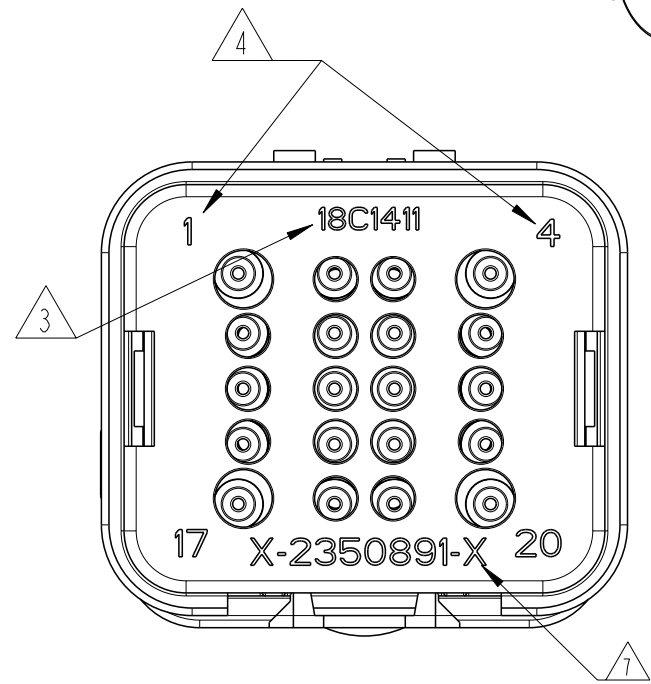
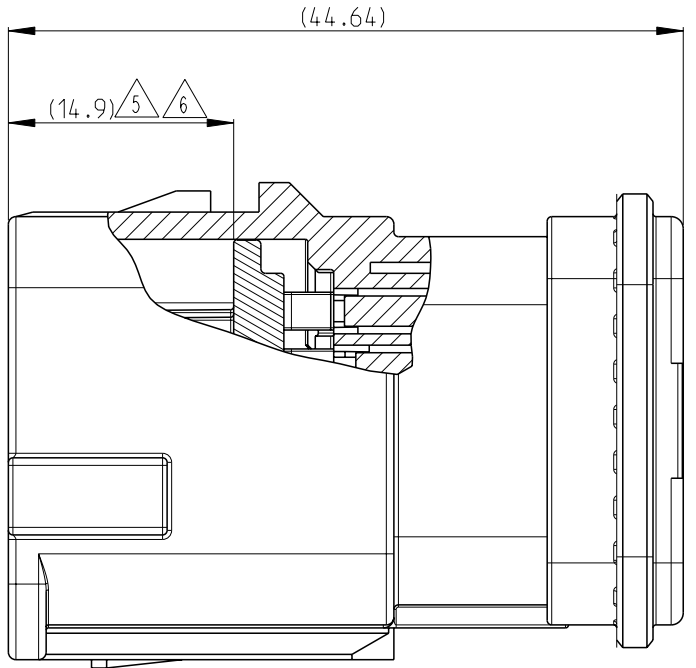
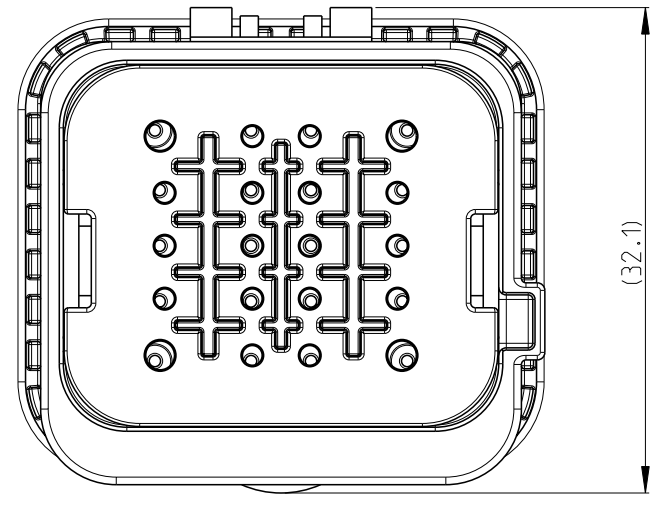
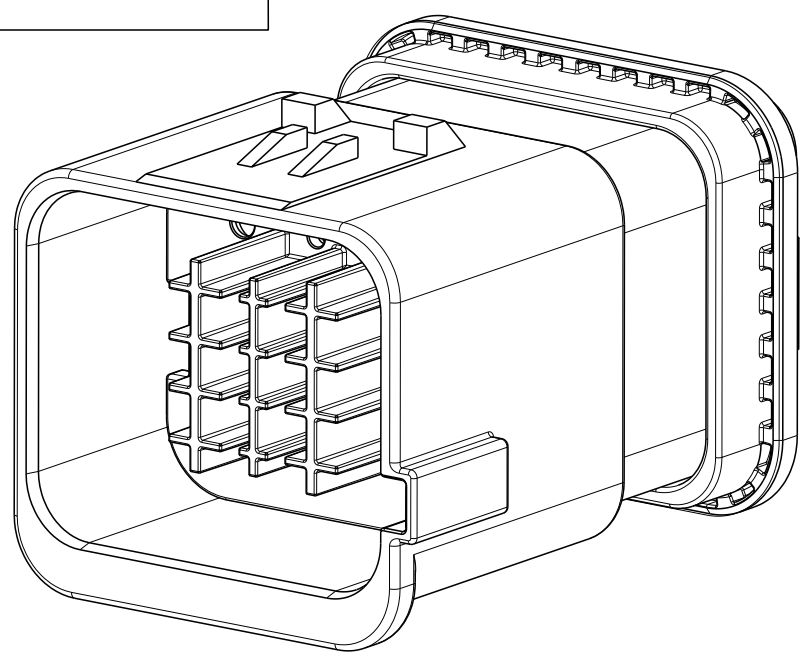
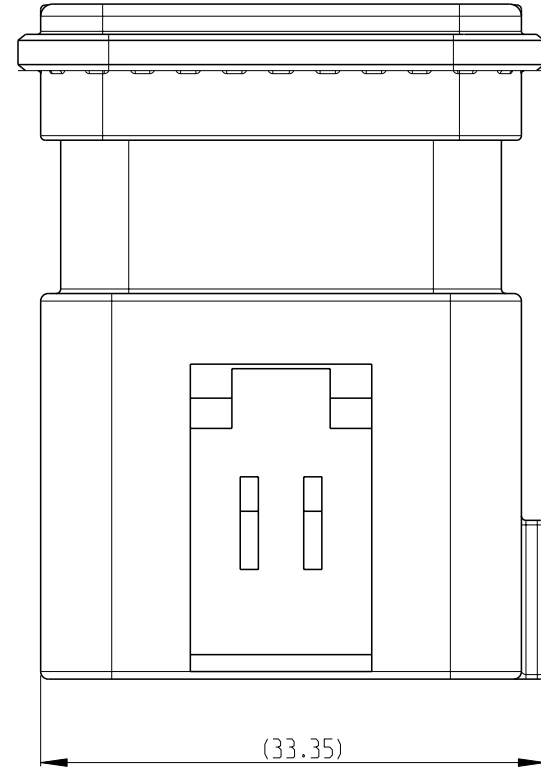


THIS DRAWING IS UNPUBLISHED. RELEASED FOR PUBLICATION  
COPYRIGHT copyright\_date BY - ALL RIGHTS RESERVED.

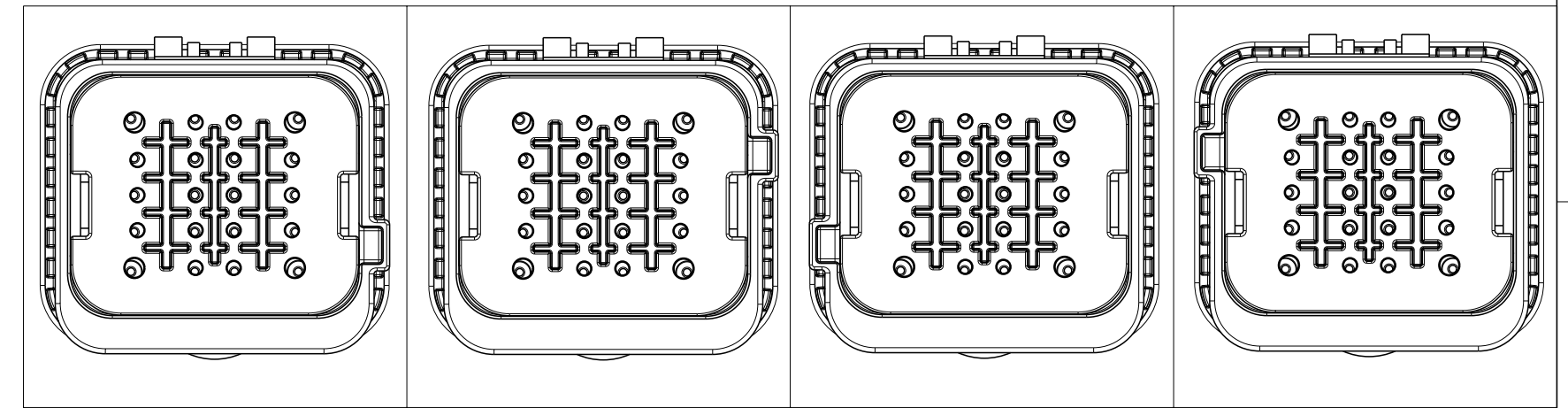
REVISIONS					
P	LTR	DESCRIPTION	DATE	DWN	APVD
A		INITIAL RELEASE	28MAR2019	C.W	I.Y
A1		ECR-20-000774	16JAN2020	C.W	E.J
A2		SEE ECR-21-003354	19MAR2021	L.G	I.Y



- NOTES:
- THIS PLUG MATES WITH TAB HOUSING ASSEMBLY PN 2350890-X, 1-2350890-X (X=1, 2, 3, 4 FOR VARIOUS CODE).
  - MATERIAL: HOUSING: PBT GF30, SEE PN TABLE FOR COLOR  
TPA: PBT GF30, YELLOW  
FRONT SEAL: VMQ(ORANGE)  
GROMMET:VMQ(RED)  
REAR CAP: PBT GF30, BLACK
  - DATE CODE: IDENTIFIES THE YEAR, MONTH, DAY AND HOUR OF ASSEMBLY.  
YEAR: FIRST AND SECOND DIGITS(17=2017)  
MONTH: THIRD DIGIT , EXCLUDING 1 . A=JAN, B=FEB, C=MARCH...(K=OCTOBER)  
DAY: FOURTH AND FIFTH DIGITS(14=14th DAY)  
HOUR: SIXTH AND SEVENTH DIGITS(11=11AM)
  - IDENTIFICATION FOR CABLE PINOUT.
  - TPA SEATED ON PRE-LOCK POSITION FOR DELIVERY.
  - PULL TPA TO PRE-LOCK BEFORE TERMINAL INSERTION IN CASE OF TPA BEING HIT TO END-LOCK POSITION.
  - PART NO.
  - REFER TO 114-151001 FOR DT SIZE 16 TERMINAL APPLICATION SPECIFICATION.  
REFER TO 114-151003 FOR DT SIZE 20 TERMINAL APPLICATION SPECIFICATION.  
APPLICABLE TERMINAL PART NUMBERS AND WIRE SIZE:

TERMINAL PN	WIRE SIZE (MM2)	INSULATION WIRES(MM)	PINOUT NUMBER
16#	0.5~2.5	Ø1.40~Ø3.00	1, 4, 17, 20
20#	0.5~1.5	Ø1.40~Ø2.40	OTHER PINS

- 1-2350891-1/1-2350891-2/1-2350891-3/1-2350891-4 IS ASSEMBLED WITH SUPPORT CUSTION ONLY FOR VIBRATION ENHANCEMENT(UNSEAL APPLICATION ON PANEL CUTOUT)
- 2-2350891-1/2-2350891-2/2-2350891-3/2-2350891-4 IS ASSEMBLED WITH FACIAL SEAL FOR VIBRATION AND SEAL APPLICATION ON PANEL CUTOUT



CODING A PN:2350891-1		CODING B PN:2350891-2		CODING C PN:2350891-3		CODING D PN:2350891-4	
1	-	-	-	BLUE	PBT-GF30	REAR CAP	4
-	1	-	-	GREEN			
-	-	1	-	GRAY			
-	-	-	1	BLACK			
1	1	1	1	RED	VMQ	GROMMET	3
1	-	-	-	BLUE	PBT-GF30	HOUSING, CODE D	2
-	1	-	-	GREEN	PBT-GF30	HOUSING, CODE C	
-	-	1	-	GRAY	PBT-GF30	HOUSING, CODE B	
-	-	-	1	BLACK	PBT-GF30	HOUSING, CODE A	
1	1	1	1	YELLOW	PBT-GF30	TPA	1
QTY. REQUEST PER ASSY				COLOR	MATERIAL	DESCRIPTION	ITEM NO
27.8	27.8	27.8	27.8			WEIGHT OF EACH ASSY(g)	
A	A	A	A			REVISION OF EACH ASSY NO.	
2350891-4	2350891-3	2350891-2	2350891-1			TE ASSEMBLY PN	

THIS DRAWING IS A CONTROLLED DOCUMENT.

DWN: C.WAN 02MAR2019  
CHK: E.JIANG 28MAR2019  
APVD: J.LIYIN 02MAR2019

NAME: NTS 20POS TAB HOUSING ASSEMBLY DEUTSCH TERMINAL HYBRID CONNECTOR

STE TE Connectivity

PRODUCT SPEC: 108-101662  
APPLICATION SPEC: -  
WEIGHT: -

MATERIAL: -  
FINISH: -

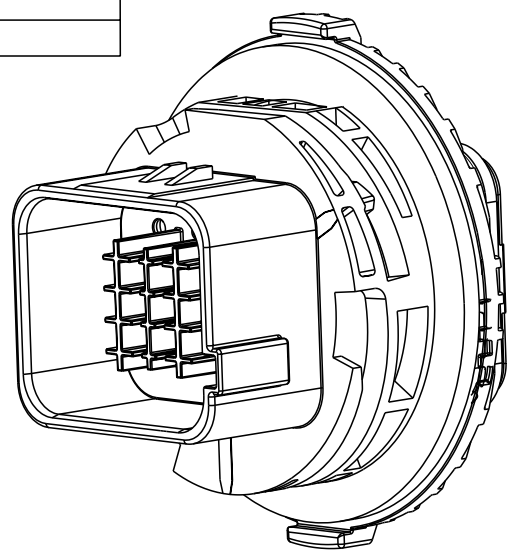
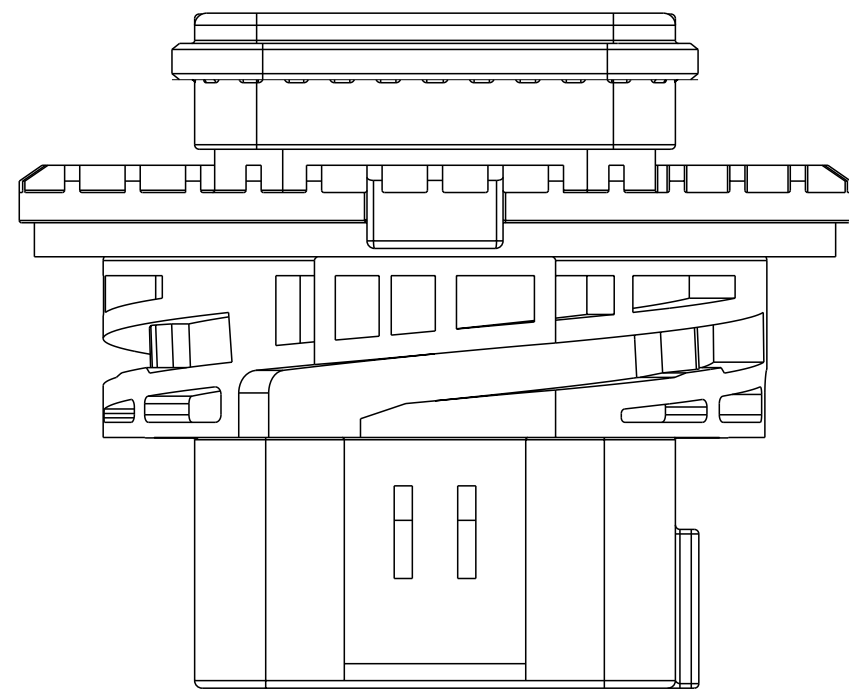
SIZE: A2  
CAGE CODE: 00779  
DRAWING NO: C-2350891  
RESTRICTED TO: -

CUSTOMER DRAWING  
SCALE: 2:1  
SHEET: 1 OF 2  
REV: A2

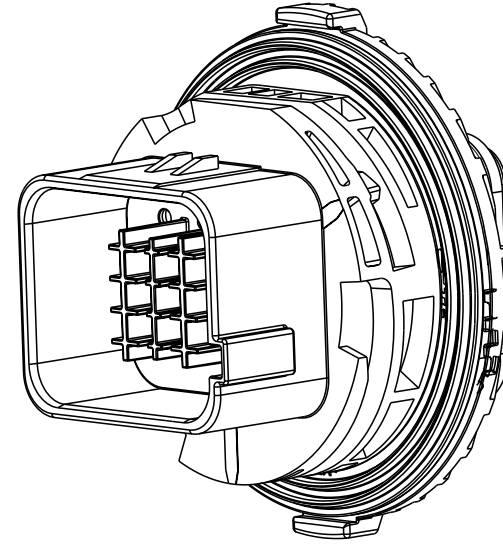
printed on 19 Mar 2021 10:52 (China Standard Time) from TE426590

THIS DRAWING IS UNPUBLISHED. RELEASED FOR PUBLICATION  
COPYRIGHT copyright\_date BY - ALL RIGHTS RESERVED.

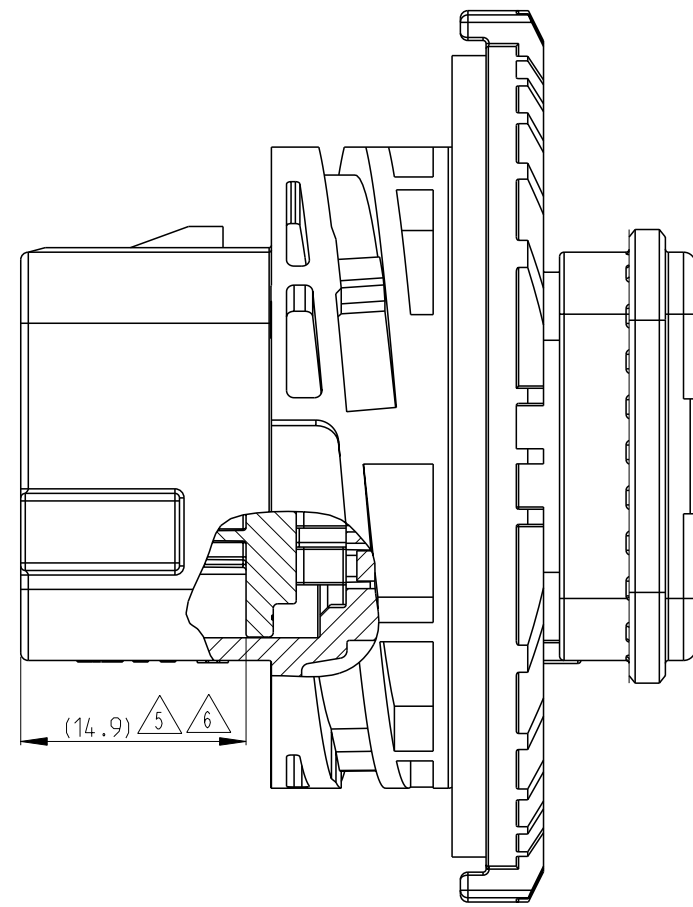
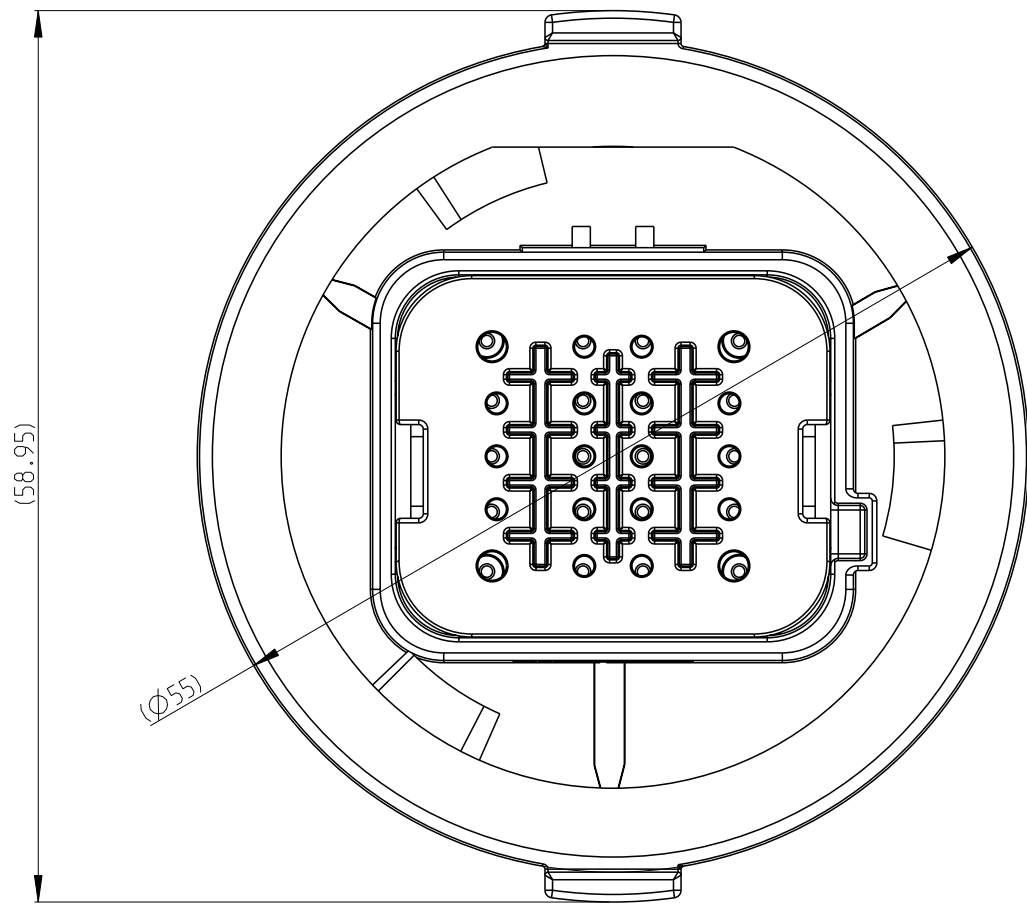
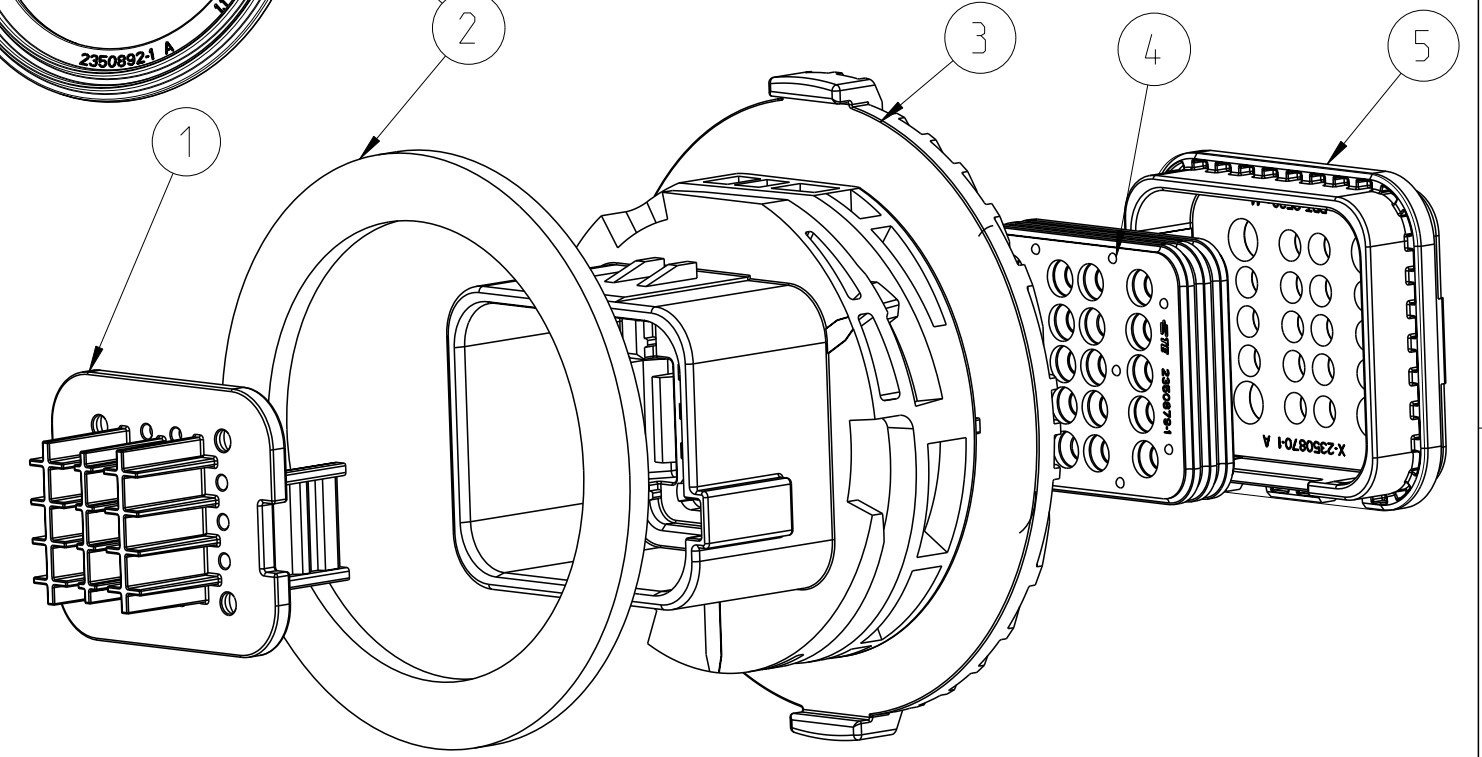
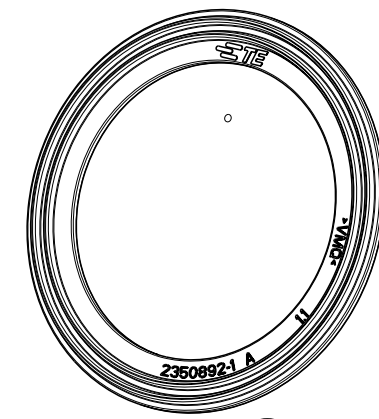
REVISIONS				
P	LTR	DESCRIPTION	DATE	APVD
		SEE SHEET 1		



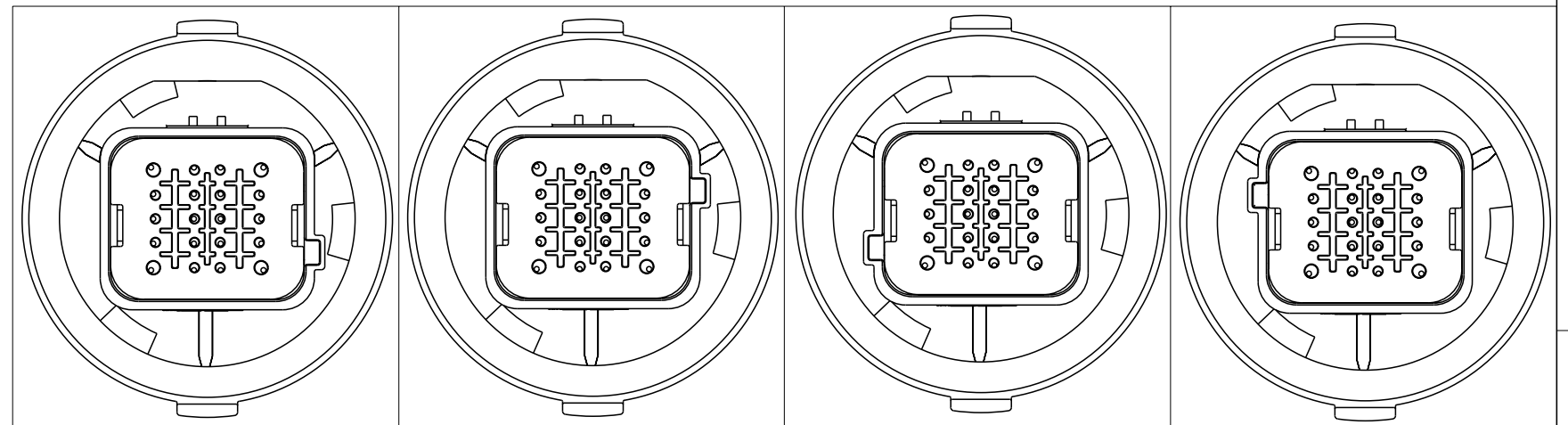
CUSHION VERSION  
 1-2350891-1  
 1-2350891-2  
 1-2350891-3  
 1-2350891-4



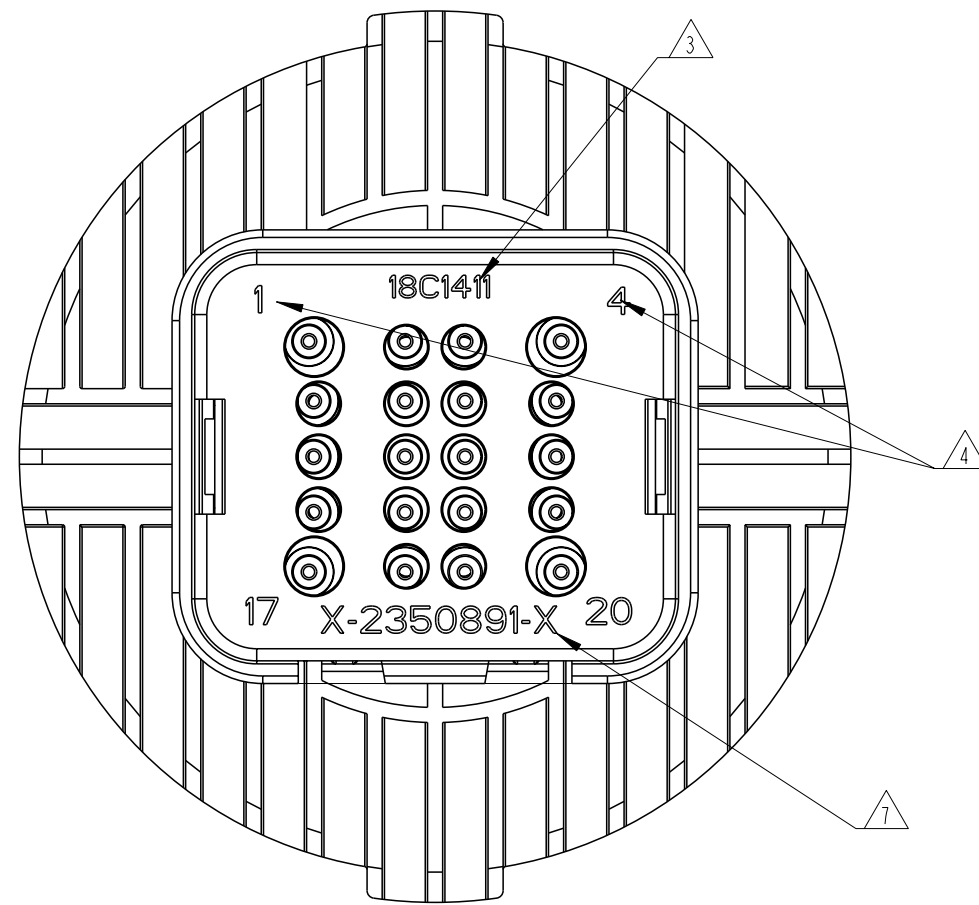
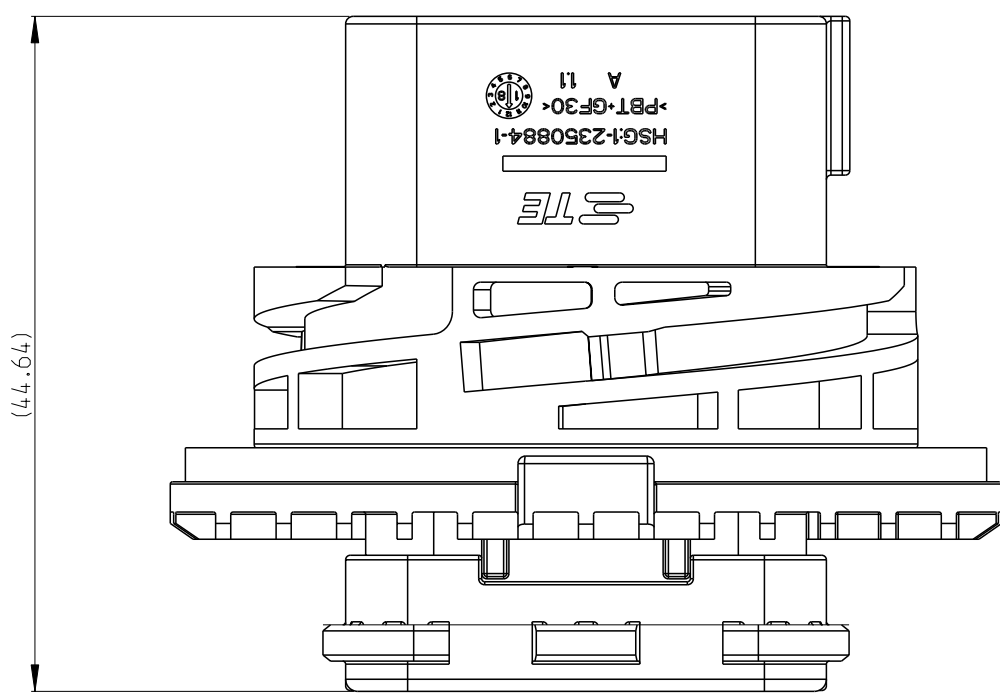
FACIAL SEAL VERSION  
 2-2350891-1  
 2-2350891-2  
 2-2350891-3  
 2-2350891-4



SECTION A-A



CODING A PN:1-2350891-1 2-2350891-1								CODING B PN:1-2350891-2 2-2350891-2								CODING C PN:1-2350891-3 2-2350891-3								CODING D PN:1-2350891-4 2-2350891-4															
1	-	-	-	1	-	-	-	1	-	-	-	1	-	-	-	1	-	-	-	1	-	-	-	1	-	-	-	1	-	-	-	BLUE	PBT-GF30	REAR CAP	5				
-	1	-	-	-	1	-	-	-	1	-	-	-	1	-	-	-	1	-	-	-	1	-	-	-	1	-	-	-	1	-	-	GREEN							
-	-	1	-	-	-	1	-	-	-	1	-	-	-	1	-	-	-	1	-	-	-	1	-	-	-	1	-	-	-	1	-	GRAY							
-	-	-	1	-	-	-	1	-	-	-	1	-	-	-	1	-	-	-	1	-	-	-	1	-	-	-	1	-	-	-	1	BLACK							
1	1	1	1	1	1	1	1	1	1	1	1	1	1	1	1	1	1	1	1	1	1	1	1	1	1	1	1	1	1	1	RED	VMQ	GROMMET	4					
1	-	-	-	1	-	-	-	1	-	-	-	1	-	-	1	-	-	-	1	-	-	1	-	-	-	1	-	-	1	-	-	-	1	-	-	BLUE	PBT-GF30	HOUSING.CODE D	3
-	1	-	-	-	1	-	-	-	1	-	-	-	1	-	-	1	-	-	-	1	-	-	1	-	-	-	1	-	-	1	-	-	-	1	-	GREEN	PBT-GF30	HOUSING.CODE C	
-	-	1	-	-	-	1	-	-	-	1	-	-	-	1	-	-	1	-	-	-	1	-	-	1	-	-	-	1	-	-	1	-	-	-	1	GRAY	PBT-GF30	HOUSING.CODE B	
-	-	-	1	-	-	-	1	-	-	-	1	-	-	-	1	-	-	-	1	-	-	-	1	-	-	-	1	-	-	-	1	BLACK	PBT-GF30	HOUSING.CODE A					
-	-	-	-	1	1	1	1	-	1	1	1	-	-	-	-	1	1	1	-	-	-	-	1	1	1	-	-	-	-	1	1	1	-	-	-	BLACK	EPDM	CUSHION	2
1	1	1	1	-	-	-	-	1	1	1	-	-	-	1	1	1	-	-	-	1	1	1	-	-	-	1	1	1	-	-	-	RED	VMQ	FACIAL SEAL					
1	1	1	1	1	1	1	1	1	1	1	1	1	1	1	1	1	1	1	1	1	1	1	1	1	1	1	1	1	1	1	1	YELLOW	PBT-GF30	TPA	1				
QTY. REQUEST PER ASSY								COLOR								MATERIAL								DESCRIPTION								ITEM NO							
42.4	42.4	42.4	42.4	42.4	42.7	42.7	42.7	42.7	WEIGHT OF EACH ASSY(g)																														
A	A	A	A	A	A	A	A	A	REVISION OF EACH ASSY NO.																														
2--4	2--3	2--2	2--1	1--4	1--3	1--2	1--1	TE ASSEMBLY PN																															



VIEW C

THIS DRAWING IS A CONTROLLED DOCUMENT.

DWN	C. WAN	02MAR2019	 TE Connectivity
CHK	E. JIANG	28MAR2019	
APVD	J. LIN	02MAR2019	
NAME			
DIMENSIONS:	TOLERANCES UNLESS OTHERWISE SPECIFIED:		NTS 20POS TAB HOUSING ASSEMBLY DEUTSCH TERMINAL HYBRID CONNECTOR
m	0 PLC ±	1 PLC ±0.2	
	2 PLC ±0.25	3 PLC ±	
	4 PLC ±	ANGLES ±	
MATERIAL	FINISH	WEIGHT	RESTRICTED TO
-	-	-	A200779 C-2350891
CUSTOMER DRAWING			SCALE 2:1 SHEET 2 OF 2 REV A2

printed on 19 Mar 2021 10:52 (China Standard Time) from TE426590

## X-ON Electronics

Largest Supplier of Electrical and Electronic Components

*Click to view similar products for [Automotive Connectors](#) category:*

*Click to view products by [TE Connectivity](#) manufacturer:*

Other Similar products are found below :

[003-018-000](#) [60993906-B](#) [M902-2131](#) [M902-2161](#) [M902-2344](#) [72.330.1035.1](#) [73.353.4028.0](#) [F166900](#) [F358300-B](#) [F407400](#) [776880-1](#)  
[827153-1](#) [8N1515-32-24P](#) [9-1326729-8](#) [925474-1](#) [928905-1](#) [964562-4](#) [968782-1](#) [98891-1012](#) [12004475-L](#) [12020308](#) [12041318-B](#)  
[12052466](#) [12064869](#) [12015909](#) [1-21030-1](#) [12041254](#) [12041318](#) [12047946-B](#) [12110546-B](#) [12131792](#) [12084688](#) [12092346](#) [HD34-18-14PT](#)  
[HD46-24-23SN-059](#) [HDB36-24-16PN-059](#) [HDP26-24-9SE-L015](#) [12185280](#) [12185550](#) [12336-12](#) [12191172-B](#) [12S](#) [13545280](#) [13577943](#)  
[13681974](#) [13737722-B](#) [13830674](#) [13832576](#) [13849772](#) [13542772](#)