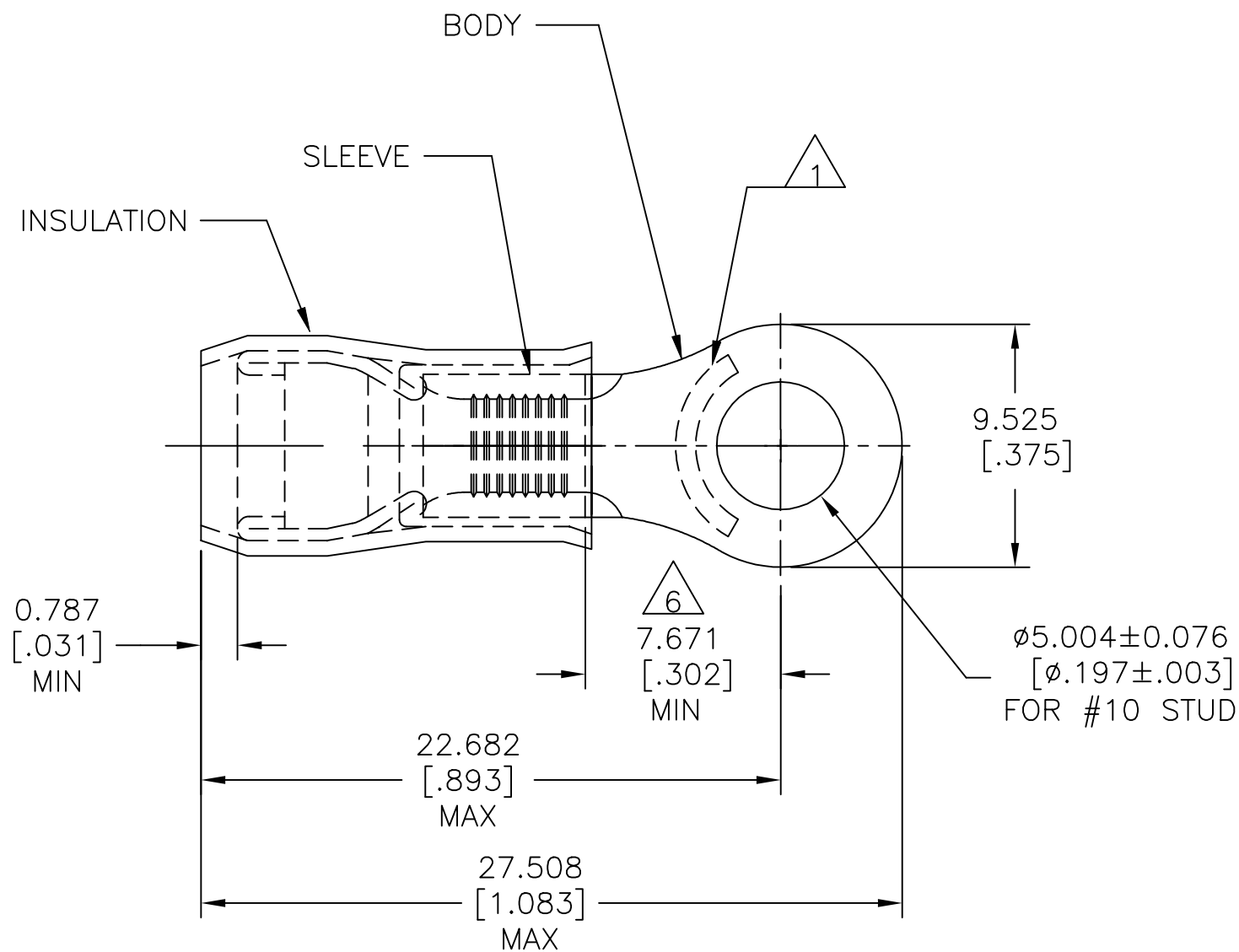


| REVISIONS | | | | | |
|-----------|-----|---------------------------|-----------|-----|------|
| P | LTR | DESCRIPTION | DATE | DWN | APVD |
| | S3 | REVISED PER ECO-16-004986 | 20JUN2016 | NK | DR |
| | S4 | REVISED PER ECO-17-007400 | 01DEC2017 | RS | DR |

| | |
|--------------------------------|--------------------------------|
| AMP WIRE RANGE | E13288 Listed |
| 12-10 AWG SOLID OR STRANDED | 12-10 AWG SOLID OR STRANDED |
| LR7189 Certified | |
| 12-10 AWG SOLID OR STRANDED | |

- STAMP "AMP 12-10*" APPROX AS SHOWN.
- WIRE INSULATION: $\phi 3.810-6.350[\phi .150-.250]$.
- BODY MATERIAL THK: $0.991 \pm 0.051[.039 \pm .002]$.
- BODY & SLEEVE: TIN PLATE $0.00254[.000100]$ MIN EXT THK PER ASTM B545.
- BODY & SLEEVE- CU PER ASTM B152
INSULATION - NYLON PER ASTM D4066
COLOR - YELLOW.
- APPLIES FROM EDGE OF METAL WIRE BARREL
TO CENTER OF STUD HOLE.
- MEETS MS25036-112, CLASS 1 & 2.
- MEETS MS25036-112, CLASS 2.

| | | | |
|--|------|------------------|-----------|
| | 100 | LOOSE PIECE, BOX | 8-35109-1 |
| | 2500 | ON TAPE & REEL | 2-35109-1 |
| | 500 | LOOSE PIECE | 35109 |
| | QTY | PACKAGE TYPE | PART NO |



AMP INCORPORATED
 CUSTOMER SERVICE SYSTEMS

| | |
|--|--|
| FOR ADDITIONAL PRODUCT INFORMATION OR COPIES OF DRAWINGS AND TECHNICAL DOCUMENTS | PRODUCT INFORMATION CENTER 1-800-522-6752 |
| FOR APPLICATION TOOLING INFORMATION | TOOLING ASSISTANCE CENTER 1-800-722-1111 |
| FOR ORDER ENTRY | 1-800-526-5142 |

| |
|--|
| MAX RECOMMENDED OPERATING TEMPERATURE: 105°C[221°F] MAX |
| VOLTAGE RATING: 300 VOLT MAX |
| CIRCULAR MIL AREA: 2.62-6.64mm ² [5,180-13,100] STRANDED OR SOLID |

| | |
|--|--|
| THIS DRAWING IS A CONTROLLED DOCUMENT. | |
| DIMENSIONS: mm [INCHES] | TOLERANCES UNLESS OTHERWISE SPECIFIED: |
| | 0 PLC ± - |
| | 1 PLC ± - |
| | 2 PLC ± - |
| | 3 PLC ± 0.127[.005] |
| | 4 PLC ± - |
| | ANGLES ± - |
| MATERIAL | FINISH |

| | | | |
|----------------------------------|--|-----------|--------------|
| DWN JR RUTH 16DEC09 | TE Connectivity | | |
| CHK T MICHIELUTTI 16DEC09 | | | |
| APVD T MICHIELUTTI 16DEC09 | NAME TERMINAL, RING TONGUE, PIDG WIRE SIZE: 12-10 AWG | | |
| PRODUCT SPEC UL486A-B | SIZE | CAGE CODE | DRAWING NO |
| APPLICATION SPEC 114-2157 | A3 | 00779 | C=35109 |
| WEIGHT - | RESTRICTED TO - | | SCALE 4:1 |
| CUSTOMER DRAWING | SHEET 1 OF 1 | | REV S4 |

X-ON Electronics

Largest Supplier of Electrical and Electronic Components

Click to view similar products for [Terminals](#) category:

Click to view products by [TE Connectivity](#) manufacturer:

Other Similar products are found below :

[00-054007-01074-6](#) [00-054007-70206-1](#) [00-054007-70210-8](#) [00-054007-70217-7](#) [00-054007-70226-9](#) [00-054007-70228-3](#) [00-054007-70248-1](#) [00-054007-70256-6](#) [00-054007-70301-3](#) [00-054007-70316-7](#) [00-054007-49560-4](#) [00-054007-70209-2](#) [00-054007-70225-2](#) [00-054007-70227-6](#) [00-054007-70231-3](#) [00-054007-70241-2](#) [00-054007-70242-9](#) [00-054007-70244-3](#) [00-054007-70246-7](#) [00-054007-70263-4](#) [00-054007-70288-7](#) [00-054007-70290-0](#) [00-054007-70300-6](#) [00-054007-70304-4](#) [01-2065-1-0216](#) [01-2900-1-04412](#) [00581P0075](#) [600TS-10](#) [60205-1](#) [604200-1](#) [605601-1](#) [60598-1-CUT-TAPE](#) [61314-6-C](#) [61810-3](#) [61-S](#) [61-SN](#) [626-0194](#) [62-NBM-A](#) [62-SN](#) [62-SP](#) [63-S](#) [640179-1](#) [M55155/059I03](#) [M55155/079C01](#) [M55155/099H02](#) [M55155/109H01](#) [M55155/109H02](#) [M55155/12XH05](#) [M55155/16XH02](#) [M55155/29-5S](#)