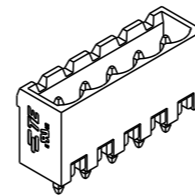


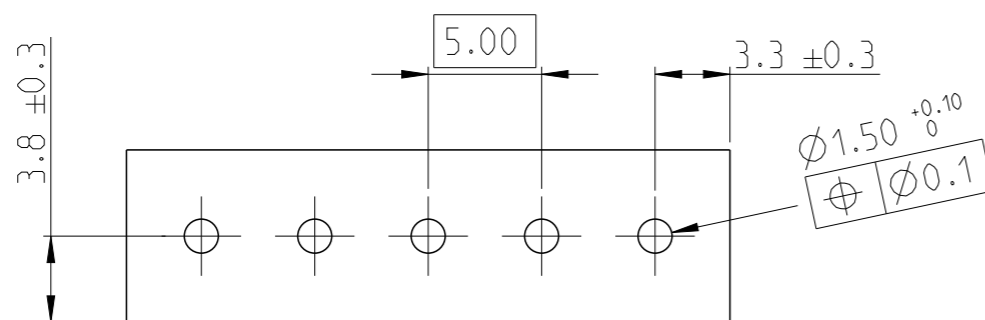
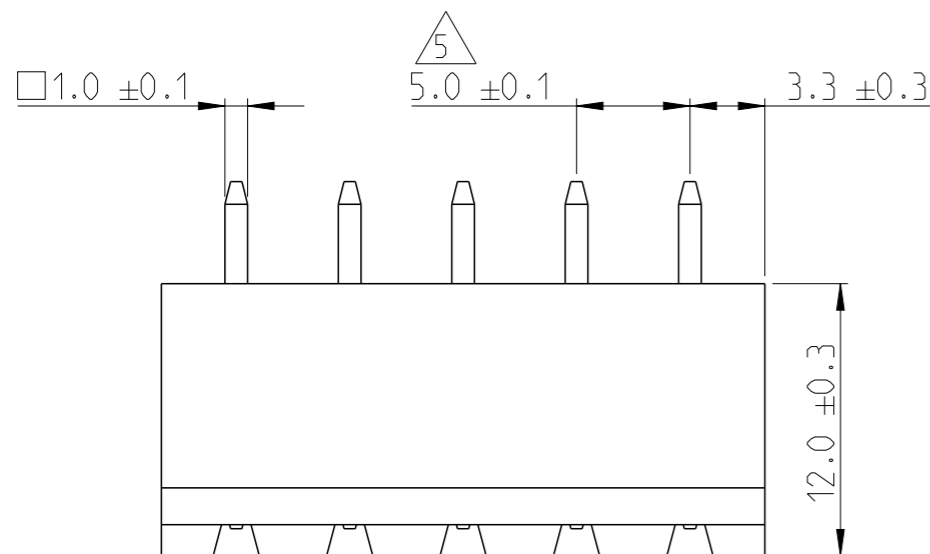
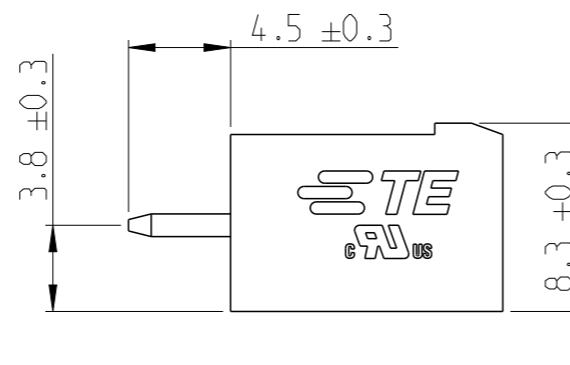
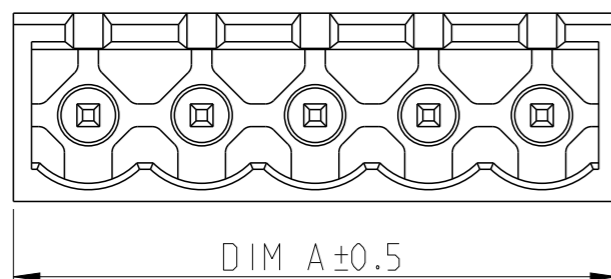
P	LTR	DESCRIPTION	DATE	DWN	APVD
	A	RELEASED FOR PRODUCTION	06UG2019	RK	PS

1:1



NOTES:

- MATERIAL AND FINISH:  
HOUSING : POLYAMIDE 66, UL94V-0, COLOR GREEN.  
TERMINAL : COPPER ALLOY, TIN PLATED.
  - MECHANICAL  
MIN. PC BOARD HOLES DIAMETER : 1.5 mm
  - ELECTRICAL  
RATED VOLTAGE : 300 V  
RATED CURRENT : 16 A  
INSULATION RESISTANCE : >2000 M Ohm (500V DC)
  - OPERATING TEMPERATURE RANGE: -40°C TO +105°C
- △ NOT CUMULATIVE TOLERANCE.



RECOMMENDED PC BOARD LAYOUT

81.6	16	1-2351885-6
76.6	15	1-2351885-5
71.6	14	1-2351885-4
66.6	13	1-2351885-3
61.6	12	1-2351885-2
56.6	11	1-2351885-1
51.6	10	1-2351885-0
46.6	9	2351885-9
41.6	8	2351885-8
36.6	7	2351885-7
31.6	6	2351885-6
26.6	5	2351885-5
21.6	4	2351885-4
16.6	3	2351885-3
11.6	2	2351885-2
DIM A	NO. OF POS	PART NUMBER

THIS DRAWING IS A CONTROLLED DOCUMENT.		DWN 12APR2019 RAGHAVENDRA.K	TE Connectivity	
DIMENSIONS: mm		CHK 01JUL2019 KARTHIK.JK		
TOLERANCES UNLESS OTHERWISE SPECIFIED:		APVD 02JUL2019 PRASHANTH.S	NAME HEADER 180 DEG. 5.0mm PITCH TAIL LENGTH 4.5mm	
0 PLC ± 1 PLC ± 2 PLC ± 3 PLC ± 4 PLC ± ANGLES ±		PRODUCT SPEC -	APPLICATION SPEC -	
MATERIAL SEE NOTES		FINISH SEE NOTES	WEIGHT -	RESTRICTED TO -
-		CUSTOMER DRAWING		SCALE 3:1 SHEET 1 OF 1 REV A

## X-ON Electronics

Largest Supplier of Electrical and Electronic Components

*Click to view similar products for [Pluggable Terminal Blocks](#) category:*

*Click to view products by [TE Connectivity](#) manufacturer:*

Other Similar products are found below :

[57.510.0053](#) [MC 1.5/ 6-ST-3.5 GY AU](#) [ET02015000J0G](#) [734-104](#) [734-302](#) [8-141-P](#) [8426620000](#) [860505](#) [860516](#) [860810](#) [GBPACX-12](#)  
[PV05-5,08-K](#) [PVP02-5,00](#) [PVP03-3,50](#) [PVP04-3,50](#) [PVS02-5,00](#) [1-1986160-3](#) [1377680000](#) [1531000000](#) [1546228-5](#) [ELFH16150](#)  
[ELFP03110](#) [ELFP10210](#) [ELFT06250](#) [ELVP03100](#) [1700101](#) [1700410](#) [1700425](#) [1702246](#) [1705229](#) [1710175](#) [1714537](#) [1717806](#) [1719600](#)  
[1728941](#) [1734692](#) [1734795](#) [1736036](#) [1740194](#) [1740628](#) [1740990](#) [1746952](#) [1750207](#) [1752441](#) [1752865](#) [1754115](#) [1754144](#) [1756913](#)  
[1760051](#) [1760336](#)