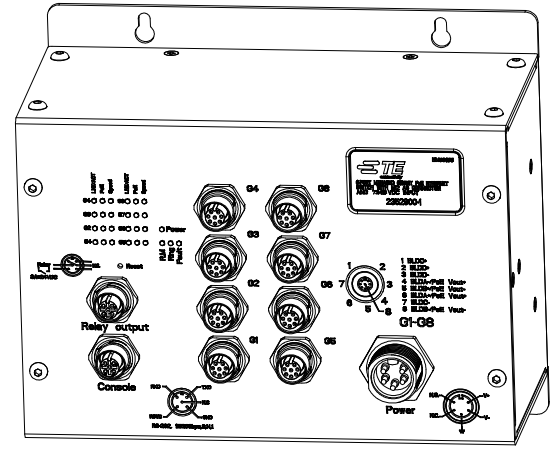
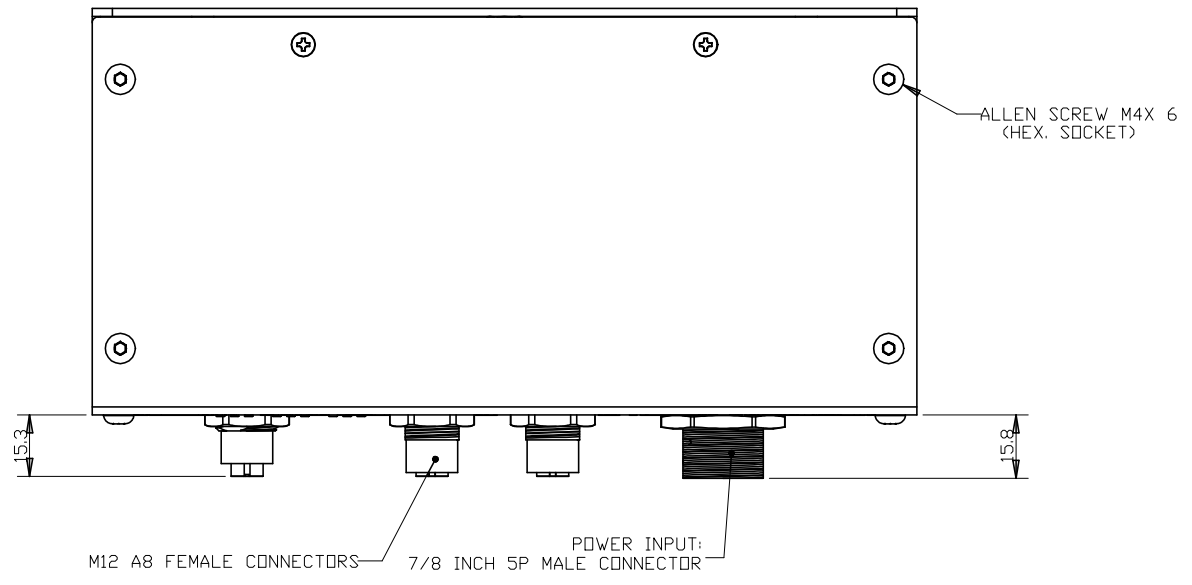


PROJECT	PRJ-17-000905364
PART NO.	2352900-1
DESCRIPTION	8P MAN POE SWITCH 1GB 110V
CUSTOMER	GENERAL MARKET

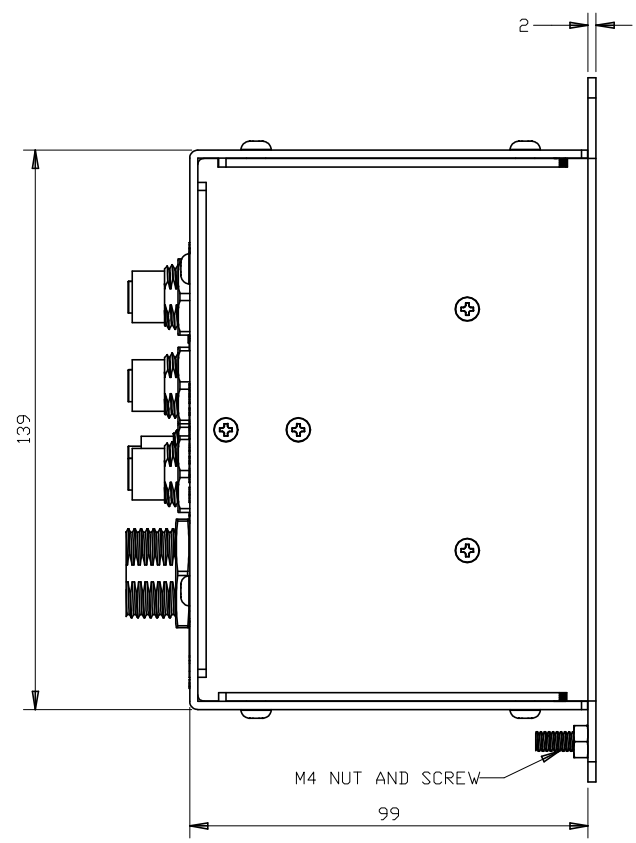
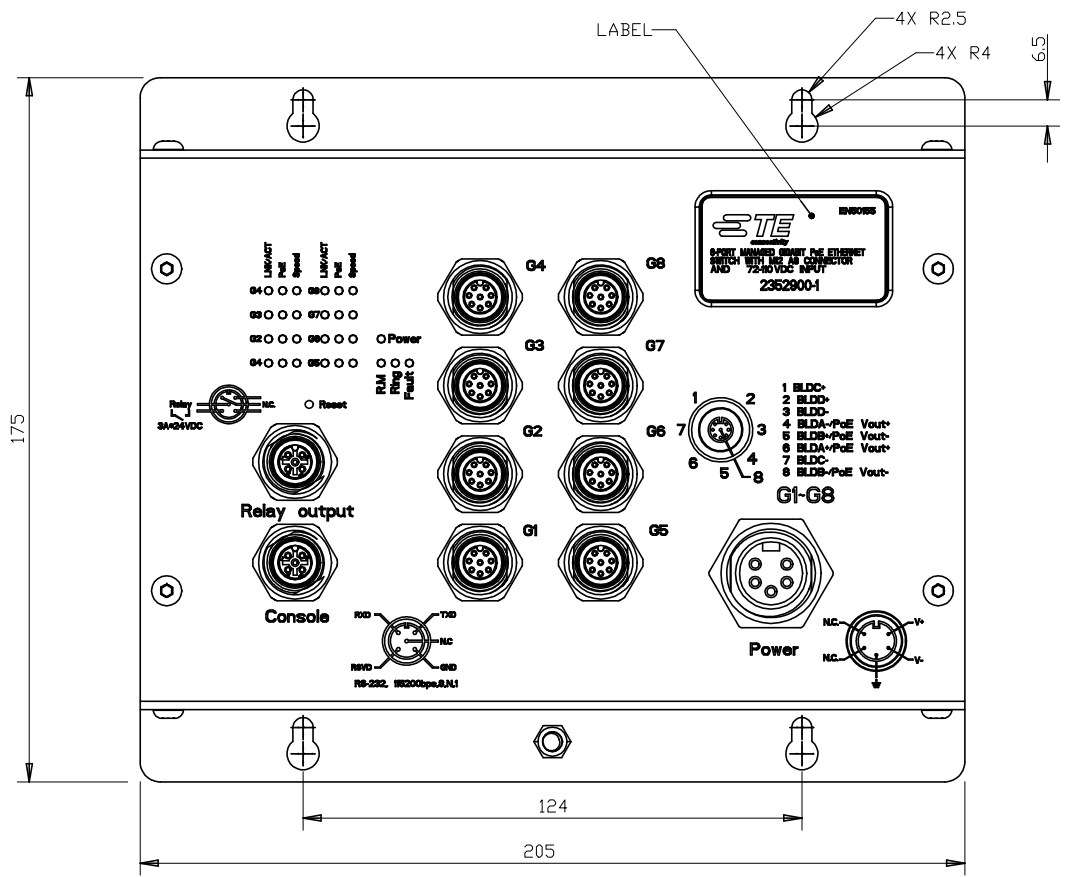
REVISIONS				
P	LTR	DESCRIPTION	DATE	APVD
A		INITIAL RELEASE	15MAY2019	GK SE

NOTES:

1. LEADING EN50155-COMPLIANT ETHERNET SWITCH FOR INDUSTRIAL APPLICATIONS, SUCH AS ROLLING STOCK, VEHICLE, AND RAILWAY APPLICATIONS.
2. M12 CONNECTORS TO GUARANTEE RELIABLE OPERATION AGAINST ENVIRONMENTAL DISTURBANCES.
3. RIGID IP-30 HOUSING DESIGN AND WALL MOUNTED.



PICTORIAL VIEW



FUNCTION	CONNECTOR ON SWITCH	REMARKS
RELAY	M12 FEMALE A5 CODED	3A AT 24VDC
CONSOLE	M12 FEMALE A5 CODED	115200bps, 8, N, 1
POWER	7/8 INCH 5P MALE	72-110VDC
PORTS G1 TO G8	M12 FEMALE A8 CODED	-

SL.NO.	PART NO.	DESCRIPTION	NO. OF PORTS	POE PORTS	SPEED	INPUT POWER
1	2352900-1	8-PORT MANAGED GIGABIT POE ETHERNET SWITCH WITH M12 A8 CONNECTOR AND 50.4-154VDC INPUT	8	8	10/100/1000 Base-T(X)	72-110 VDC

THIS DRAWING IS A CONTROLLED DOCUMENT.

DWN	15MAY2019	GOPALAKRISHNA HV		TE Connectivity
CHK	15MAY2019	S. EGBERT		
APVD	15MAY2019	S. EGBERT		NAME
PRODUCT SPEC				8 PORT MANAGED POE SWITCH 1GB
APPLICATION SPEC				-
MATERIAL				SIZE
FINISH				CAGE CODE
WEIGHT				DRAWING NO
CUSTOMER DRAWING				RESTRICTED TO

SCALE: NTS SHEET: 1 of 1 REV: A

2352900

X-ON Electronics

Largest Supplier of Electrical and Electronic Components

Click to view similar products for [Ethernet Modules](#) category:

Click to view products by [TE Connectivity](#) manufacturer:

Other Similar products are found below :

[TDKEZW3](#) [V23993-USB1029A](#) [100-POE4](#) [I210T1BLK](#) [X520QDA1](#) [BCM84794A1KFSBG](#) [X520DA2OCP](#) [808-38157](#) [7506GX2](#) [TC](#)
[EXTENDER 2001 ETH-2S](#) [105FX-SC-MDR](#) [110FX2-SC](#) [BCM54291B0IQLEG](#) [7000-P3201-P050150](#) [750-1415](#) [750-494](#) [750-495](#) [750-612](#)
[750-613](#) [750-627](#) [750-643](#) [750-940](#) [753-440](#) [753-540](#) [753-650/003-000](#) [852-1322](#) [852-1328](#) [852-1812](#) [852-1813](#) [852-1816](#) [LANTICK PE-](#)
[0-16](#) [LANTICK PE-16-0](#) [RBMTXLITE-L4X2.X.X.X.X.](#) [USR-TCP232-T2](#) [2017008](#) [EKI-7708E-4F-AE](#) [EKI-7708E-4FP-AE](#) [EKI-7708G-](#)
[4FP-AE](#) [2352903-2](#) [753-620](#) [EGU-0702-SFP-T](#) [SW-125](#) [SW-525](#) [SW-725](#) [1005957](#) [1006191](#) [304TX-N](#) [WIZ107SR_TTL](#) [ES-320](#)
[TDKEZW5](#)