

4

3

2

1

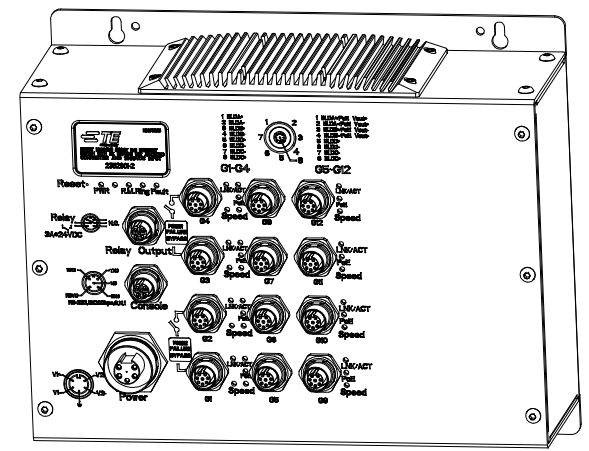
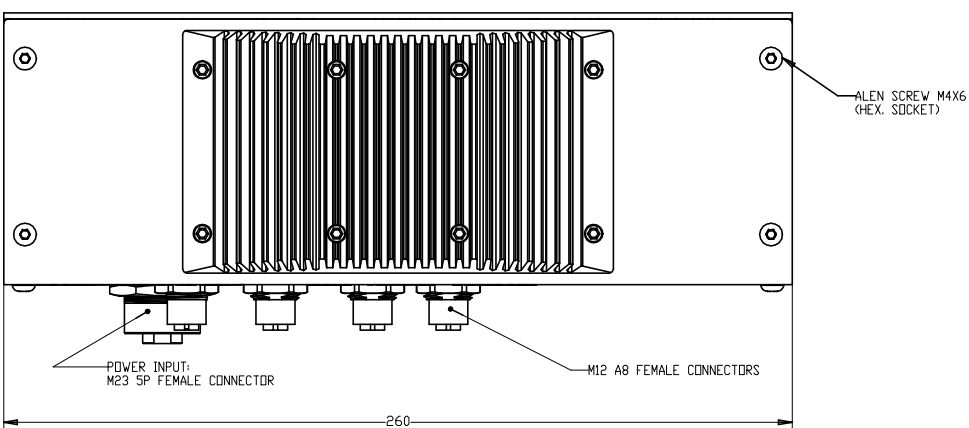
THIS DRAWING IS UNPUBLISHED. RELEASED FOR PUBLICATION  
 © COPYRIGHT - 03JUL2019 ALL RIGHTS RESERVED.

PROJECT	PRJ-17-000905364
PART NO.	2352901-X
DESCRIPTION	12P MAN POE SWITCH 1GB 24V
CUSTOMER	GENERAL MARKET

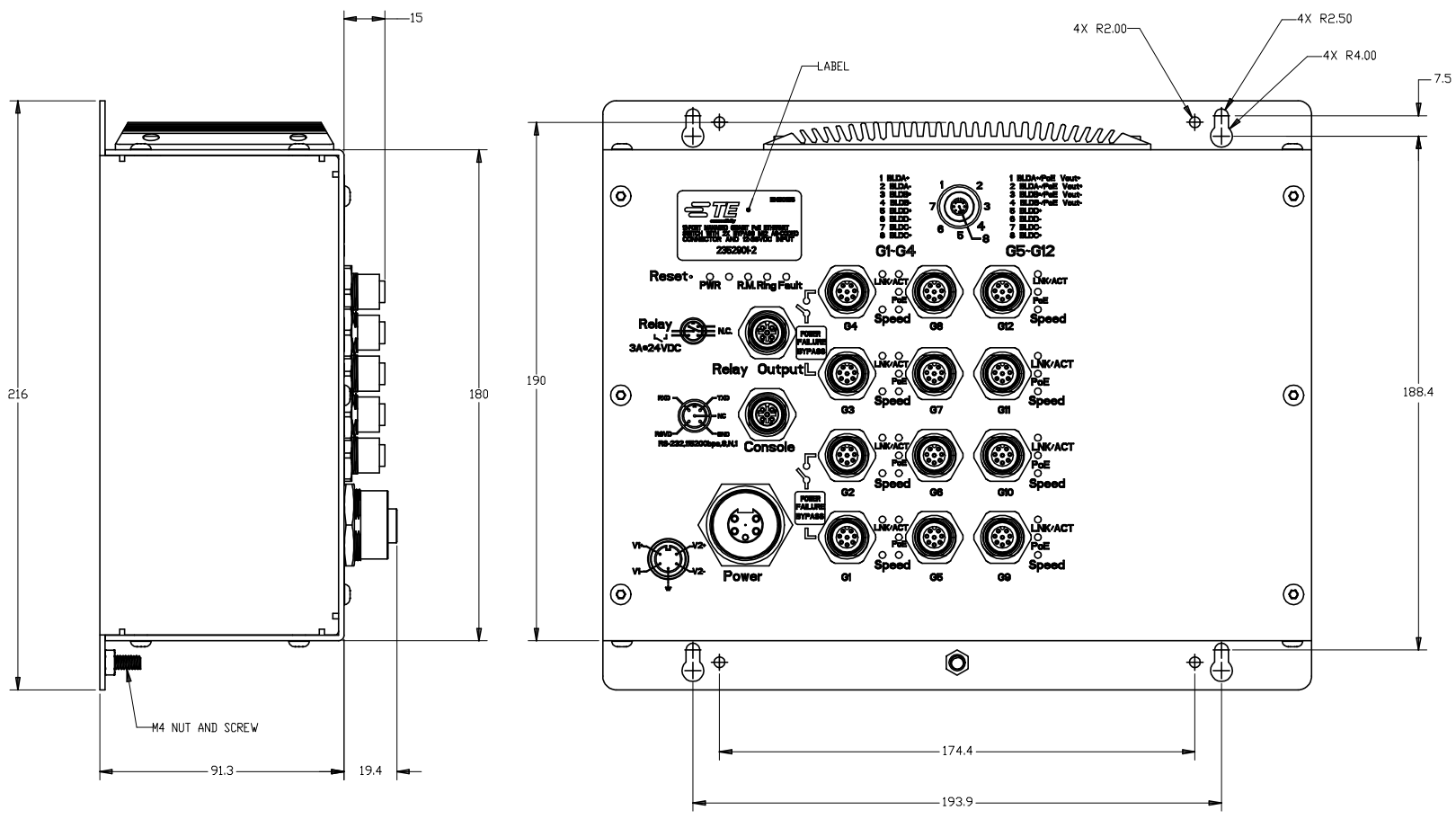
REVISIONS					
P	LTR	DESCRIPTION	DATE	DWN	APVD
A		INITIAL RELEASE	03JUL2019	GK	SE

NOTES:

1. LEADING EN50155-COMPLIANT ETHERNET SWITCH FOR INDUSTRIAL APPLICATIONS, SUCH AS ROLLING STOCK, VEHICLE, AND RAILWAY APPLICATIONS.
2. M12 CONNECTORS TO GUARANTEE RELIABLE OPERATION AGAINST ENVIRONMENTAL DISTURBANCES.
3. RIGID IP-30 HOUSING DESIGN AND WALL MOUNTED.



FUNCTION	CONNECTOR ON SWITCH	REMARKS
RELAY	M12 FEMALE A5 CODED	3A AT 24VDC
CONSOLE	M12 FEMALE A5 CODED	115200bps, 8, N, 1
POWER	M23 FEMALE 5P	12-36VDC
PORTS G1 TO G12	M12 FEMALE A8 CODED	-



**2352901-1 & 2352901-2 (A-CODE M12 CONNECTOR)**

SL. NO.	PART NO.	DESCRIPTION	NO. OF PORTS	POE PORTS	SPEED	BY PASS	INPUT POWER
4	2352901-4	12-PORT MANAGED GIGABIT POE ETHERNET SWITCH WITH 2XBYPASS, M12 X CONNECTOR AND 72-110VDC INPUT	12	8	10/100/1000 Base-T(X)	2	72-110VDC
3	2352901-3	12-PORT MANAGED GIGABIT POE ETHERNET SWITCH WITH 2XBYPASS, M12 X CONNECTOR AND 12-36VDC INPUT	12	8		2	12-36VDC
2	2352901-2	12-PORT MANAGED GIGABIT POE ETHERNET SWITCH WITH 2XBYPASS, M12 A8 CONNECTOR AND 12-36VDC INPUT	12	8		2	12-36VDC
1	2352901-1	12-PORT MANAGED GIGABIT POE ETHERNET SWITCH WITH M12 A8 CONNECTOR AND 12-36VDC INPUT	12	8		NO	12-36VDC

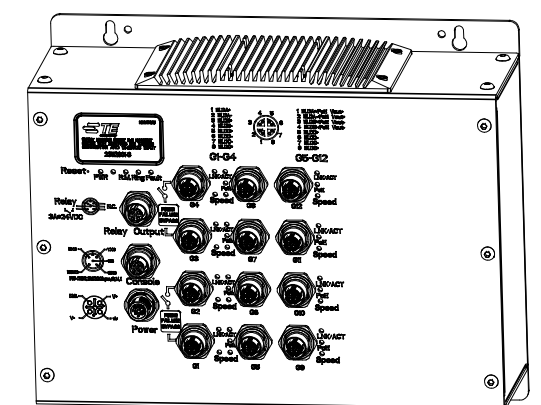
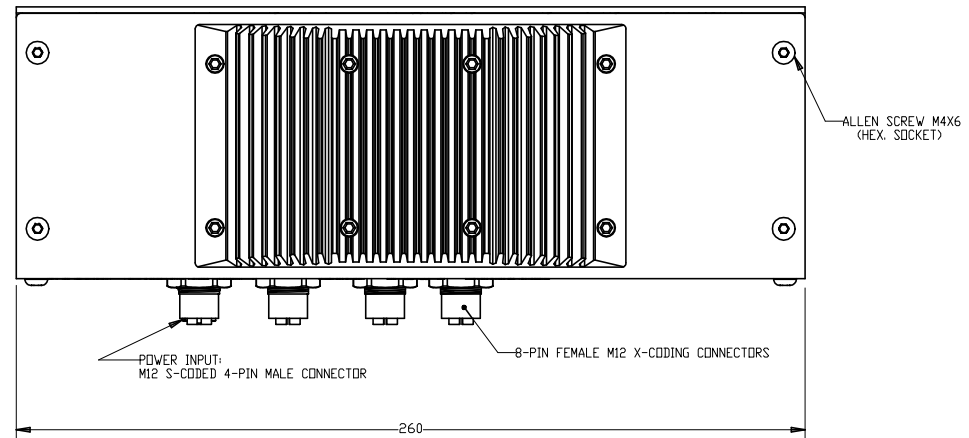
THIS DRAWING IS A CONTROLLED DOCUMENT.

DIMENSIONS: mm	TOLERANCES UNLESS OTHERWISE SPECIFIED:	DWN: GOPALAKRISHNA HV	03JUL2019	 TE Connectivity
	0 PLC ± - 1 PLC ± - 2 PLC ± - 3 PLC ± - 4 PLC ± - ANGLES ± -	CHK: S. EGBERT	03JUL2019	
MATERIAL	FINISH	APVD: S. EGBERT	03JUL2019	NAME: 12 PORT MANAGED POE SWITCH 1GB
		PRODUCT SPEC		SIZE: A2
		APPLICATION SPEC		CAGE CODE: 00779
		WEIGHT: 0		DRAWING NO: C-2352901
		CUSTOMER DRAWING		RESTRICTED TO: -
		SCALE: NTS	SHEET: 1 OF 2	REV: A

2352901

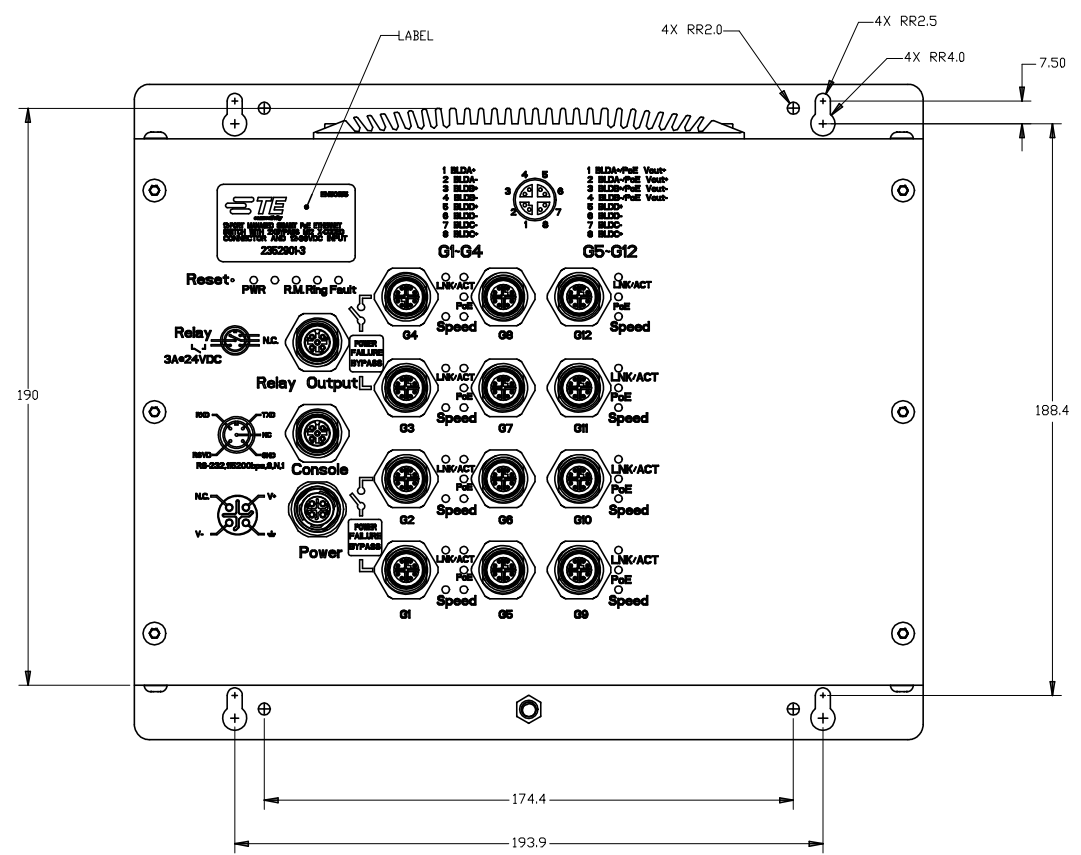
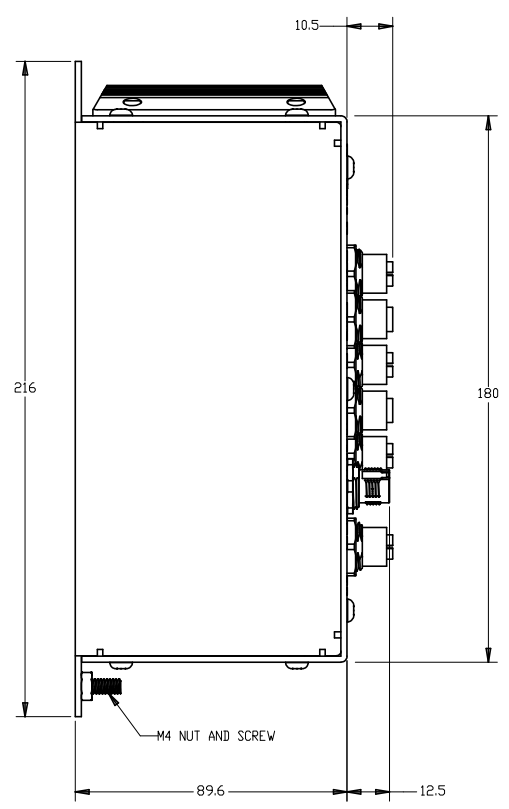
THIS DRAWING IS UNPUBLISHED. RELEASED FOR PUBLICATION  
 © COPYRIGHT - 03JUL2019 ALL RIGHTS RESERVED.

REVISIONS				
P	LTR	DESCRIPTION	DATE	APVD
-	-	SEE SHEET 1	-	-



PICTORIAL VIEW

FUNCTION	CONNECTOR ON SWITCH	REMARKS
RELAY	M12 FEMALE A5 CODED	3A AT 24VDC
CONSOLE	M12 FEMALE A5 CODED	115200bps, 8, N, 1
POWER	M12 FEMALE 4P S-CODED	12-36VDC
PORTS G1 TO G12	M12 FEMALE 8P X-CODED	-



**2352901-3 & 2352901- 4 (X-CODE M12 CONNECTOR)**

THIS DRAWING IS A CONTROLLED DOCUMENT.		DWN GOPALAKRISHNA HV 03JUL2019	TE Connectivity	
DIMENSIONS: mm		CHK S. EGBERT 03JUL2019		
TOLERANCES UNLESS OTHERWISE SPECIFIED:		APVD S. EGBERT 03JUL2019	NAME 12 PORT MANAGED POE SWITCH 1GB	
		PRODUCT SPEC	RESTRICTED TO	
MATERIAL		APPLICATION SPEC	SIZE A2	CAGE CODE 00779
FINISH		WEIGHT 0	DRAWING NO C-2352901	
		CUSTOMER DRAWING	SCALE NTS	SHEET 2 OF 2
			REV A	

## X-ON Electronics

Largest Supplier of Electrical and Electronic Components

*Click to view similar products for [Ethernet Modules](#) category:*

*Click to view products by [TE Connectivity](#) manufacturer:*

Other Similar products are found below :

[TDKEZW3](#) [V23993-USB1029A](#) [100-POE4](#) [I210T1BLK](#) [X520QDA1](#) [BCM84794A1KFSBG](#) [X520DA2OCP](#) [808-38157](#) [7506GX2](#) [TC](#)  
[EXTENDER 2001 ETH-2S](#) [105FX-SC-MDR](#) [110FX2-SC](#) [BCM54291B0IQLEG](#) [7000-P3201-P050150](#) [750-1415](#) [750-494](#) [750-495](#) [750-612](#)  
[750-613](#) [750-627](#) [750-643](#) [750-940](#) [753-440](#) [753-540](#) [753-650/003-000](#) [852-1322](#) [852-1328](#) [852-1812](#) [852-1813](#) [852-1816](#) [LANTICK PE-](#)  
[0-16](#) [LANTICK PE-16-0](#) [RBMTXLITE-L4X2.X.X.X.X.](#) [USR-TCP232-T2](#) [2017008](#) [EKI-7708E-4F-AE](#) [EKI-7708E-4FP-AE](#) [EKI-7708G-](#)  
[4FP-AE](#) [2352903-2](#) [753-620](#) [EGU-0702-SFP-T](#) [SW-125](#) [SW-525](#) [SW-725](#) [1005957](#) [1006191](#) [304TX-N](#) [WIZ107SR\\_TTL](#) [ES-320](#)  
[TDKEZW5](#)