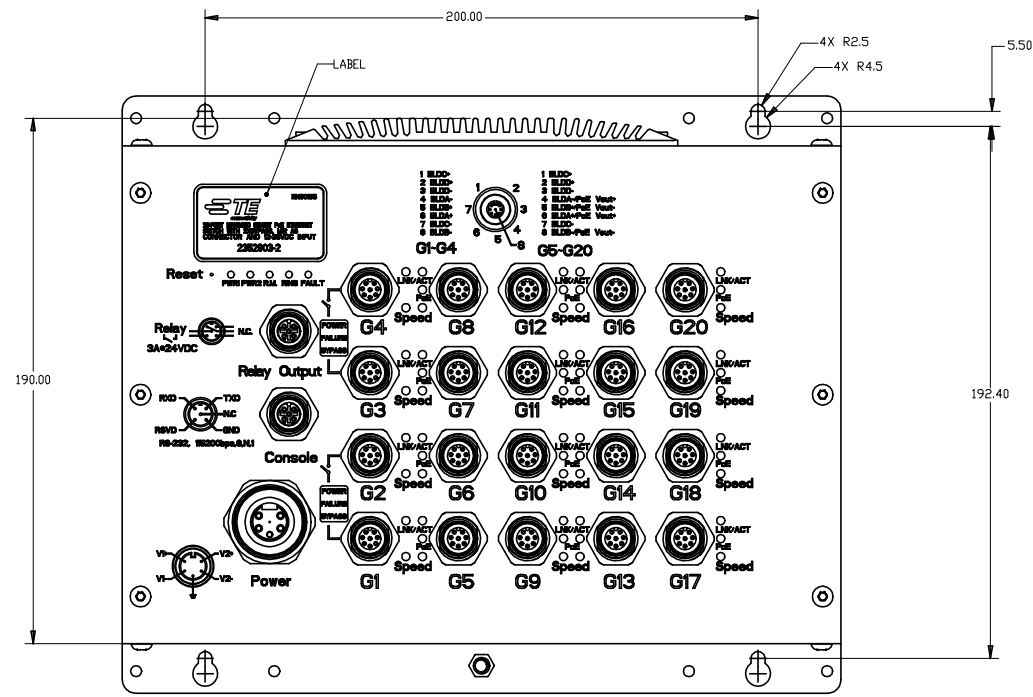
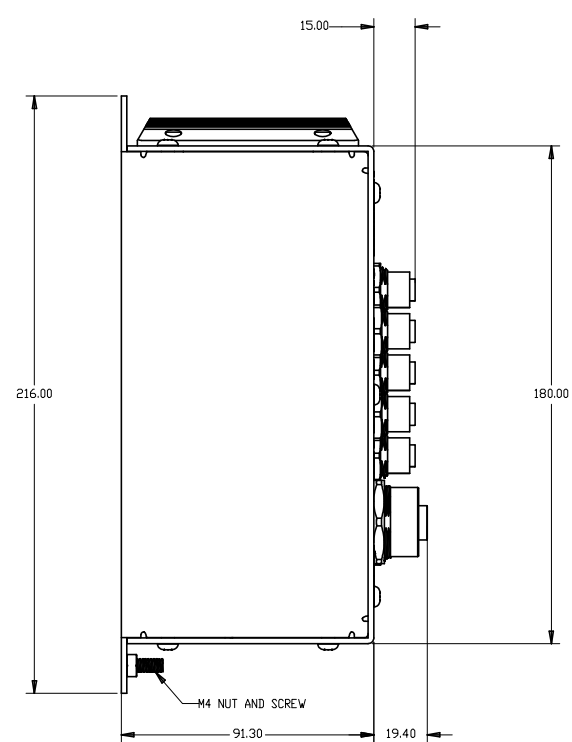
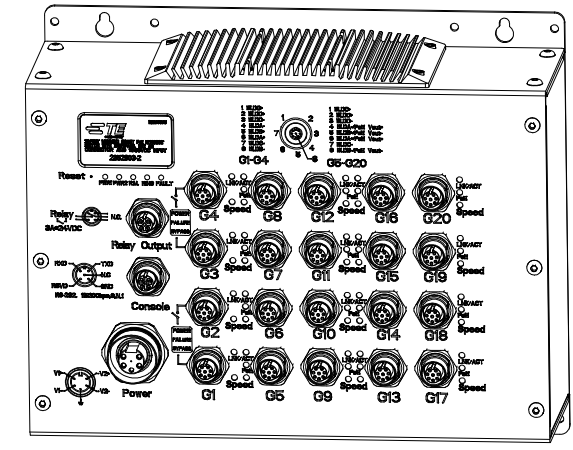
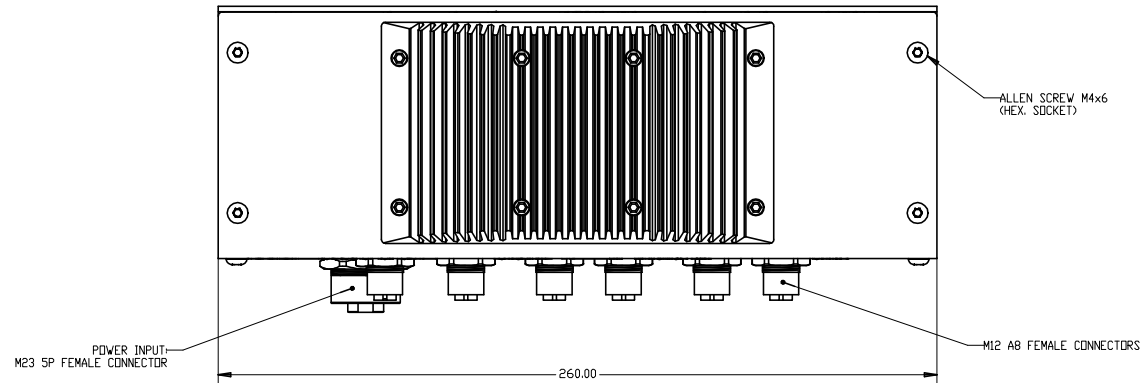


PROJECT	PRJ-17-000905364
PART NO.	2352903-X
DESCRIPTION	20 PORT MANAGED POE SWITCH 1GB
CUSTOMER	GENERAL MARKET

REVISIONS					
P	LTR	DESCRIPTION	DATE	DWN	APVD
	A	INITIAL RELEASE	30JUL2019	GK	SE

NOTES:

1. LEADING EN50155-COMPLIANT ETHERNET SWITCH FOR INDUSTRIAL APPLICATIONS, SUCH AS ROLLING STOCK, VEHICLE, AND RAILWAY APPLICATIONS.
2. M12 CONNECTORS TO GUARANTEE RELIABLE OPERATION AGAINST ENVIRONMENTAL DISTURBANCES.
3. RIGID IP-30 HOUSING DESIGN AND WALL MOUNTED.



FUNCTION	CONNECTOR ON SWITCH	REMARKS
RELAY	M12 FEMALE A5 CODED	3A AT 24VDC
CONSOLE	M12 FEMALE A5 CODED	115200bps, 8, N, 1
POWER	M23 FEMALE 5P	12-36VDC
PORTS G1 TO G20	M12 FEMALE A8 CODED	-

2352903-2 AS SHOWN

SL. NO.	PART NO.	DESCRIPTION	NO. OF PORTS	POE PORTS	SPEED	BY PASS	INPUT POWER
2	2352903-2	20-PORT MANAGED GIGABIT POE ETHERNET SWITCH WITH 2XBYPASS, M12 A8 CONNECTOR AND 12-36VDC INPUT	20	16	10/100/1000 Base-T(X)	2X	12-36VDC
1	2352903-1	20-PORT MANAGED GIGABIT POE ETHERNET SWITCH WITH M12 A8 CONNECTOR AND 12-36VDC INPUT	20	16		NO	

THIS DRAWING IS A CONTROLLED DOCUMENT.

TE Connectivity

20 PORT MANAGED POE SWITCH 1GB

APVD: S. EGBERT 30JUL2019

APVD: S. EGBERT 30JUL2019

NAME: S. EGBERT

PRODUCT SPEC: -

APPLICATION SPEC: -

SIZE: A2 CAGE CODE: 00779 DRAWING NO: C-2352903

RESTRICTED TO: -

WEIGHT: 0

CUSTOMER DRAWING

SCALE: NTS SHEET: 1 OF 1 REV: A

X-ON Electronics

Largest Supplier of Electrical and Electronic Components

Click to view similar products for [Ethernet Modules](#) category:

Click to view products by [TE Connectivity](#) manufacturer:

Other Similar products are found below :

[TDKEZW3](#) [V23993-USB1029A](#) [100-POE4](#) [I210T1BLK](#) [X520QDA1](#) [BCM84794A1KFSBG](#) [X520DA2OCP](#) [808-38157](#) [7506GX2](#) [TC](#)
[EXTENDER 2001 ETH-2S](#) [105FX-SC-MDR](#) [110FX2-SC](#) [BCM54291B0IQLEG](#) [7000-P3201-P050150](#) [750-1415](#) [750-494](#) [750-495](#) [750-612](#)
[750-613](#) [750-627](#) [750-643](#) [750-940](#) [753-440](#) [753-540](#) [753-650/003-000](#) [852-1322](#) [852-1328](#) [852-1812](#) [852-1813](#) [852-1816](#) [LANTICK PE-](#)
[0-16](#) [LANTICK PE-16-0](#) [RBMTXLITE-L4X2.X.X.X.X.](#) [USR-TCP232-T2](#) [2017008](#) [EKI-7708E-4F-AE](#) [EKI-7708E-4FP-AE](#) [EKI-7708G-](#)
[4FP-AE](#) [2352903-2](#) [753-620](#) [EGU-0702-SFP-T](#) [SW-125](#) [SW-525](#) [SW-725](#) [1005957](#) [1006191](#) [304TX-N](#) [WIZ107SR_TTL](#) [ES-320](#)
[TDKEZW5](#)