

4

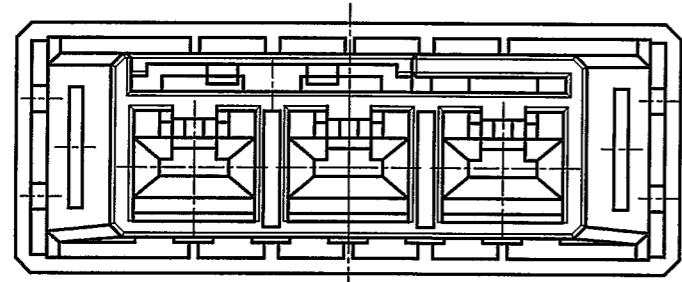
3

2

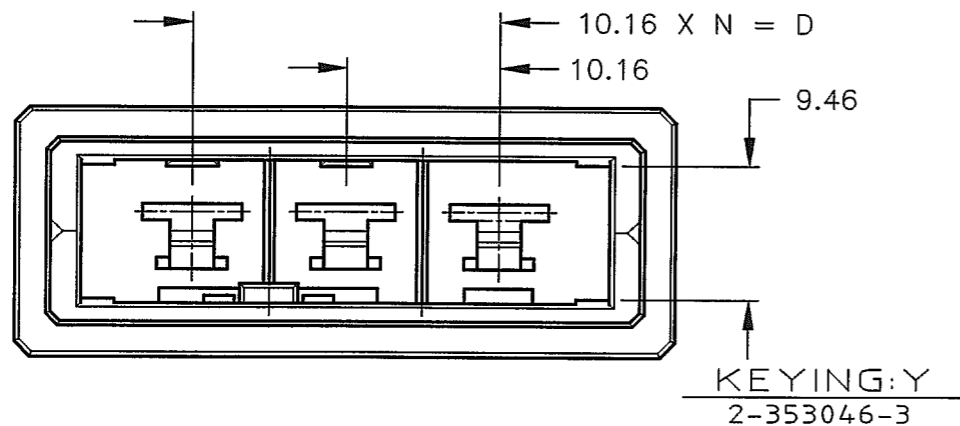
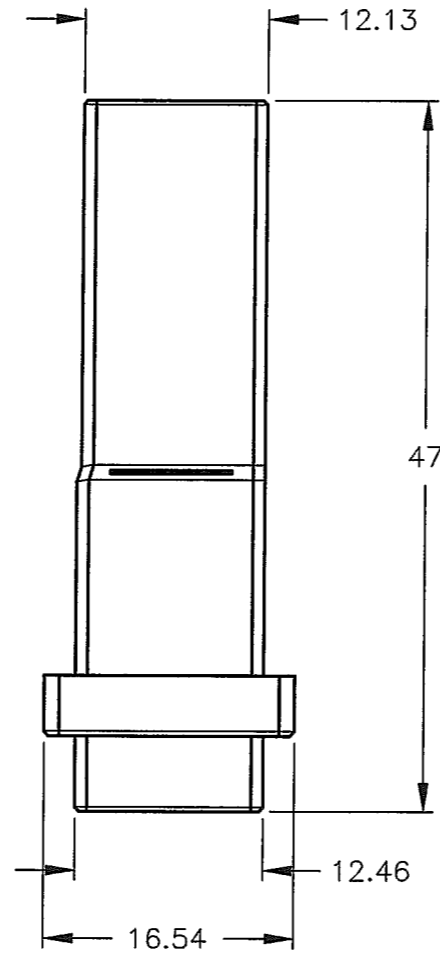
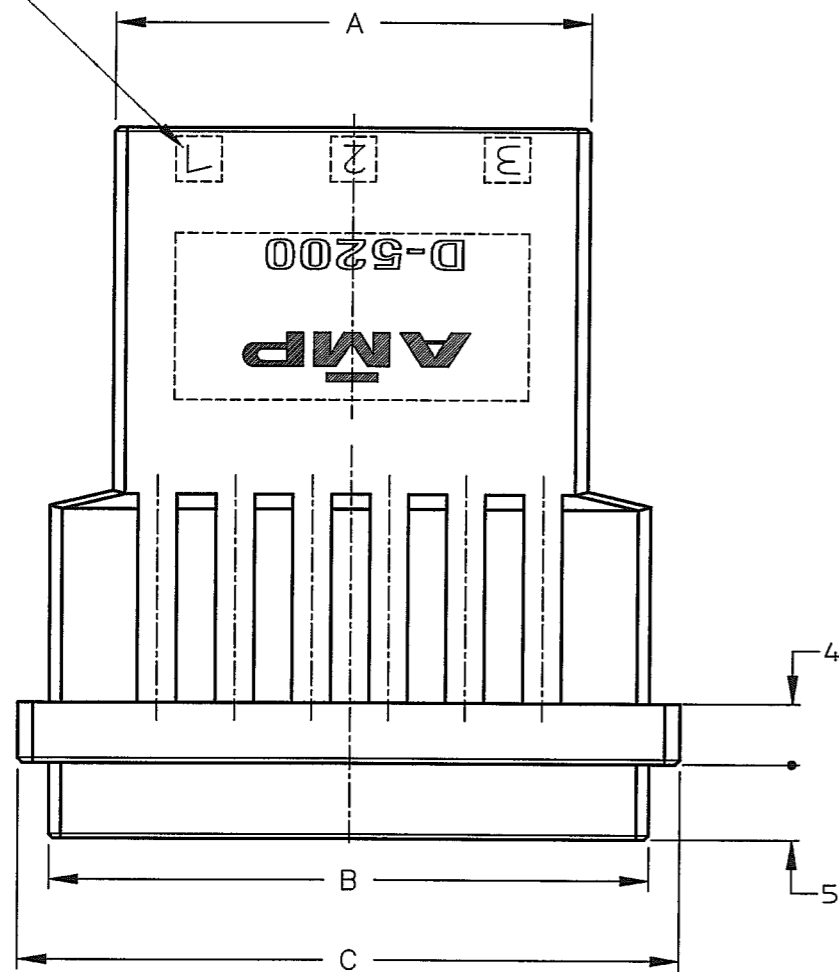
1

THIS DRAWING IS UNPUBLISHED. RELEASED FOR PUBLICATION .1996
 © COPYRIGHT 1996 BY AMP INCORPORATED, ALL RIGHTS RESERVED.

LOC	DIST	REVISIONS						
		P	LTR	DESCRIPTION	ECN	DATE	DWN	APVD
J		0		RELEASED	FJ00-4330-96	16/MAY '96	K.I	Y.I
		A		REVISED	FJ00-5532-96	7/JAN '97	K.I	Y.I
		B		REVISED	FJ00-0246-97	18/FEB '97	K.I	Y.I
		C		REVISED	FJ00-1335-97	18/FEB '97	K.I	I.H
		D		REVISED	FJD0-0108-04	29/MAR '04	T.S	D.M



CIRCUIT NO.
回路番号

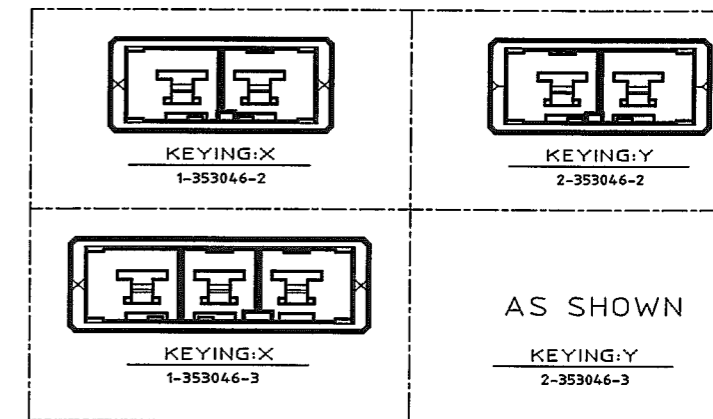


注記

△ 材料:ハウジング:ガラス入り熱可塑性
 ポリエステル樹脂 (94V-0),色:黒

NOTES

△ MATERIAL:HOUSING:GLASS FILED THERMO PLASTIC
 ,POLYESTER(94-V-0),COLOR:BLACK



							2-353046-3
31.27	39.52	43.6	20.32	2	3		1-353046-3
							2-353046-2
21.11	29.36	33.44	10.16	1	2		1-353046-2
A	B	C	D	N	POS		P/N

WIRE RANGE 適合電線断面積	INSULATION DIA 線径外径
T1	T1

THIS DRAWING IS A CONTROLLED DOCUMENT FOR AMP INCORPORATED. IT IS SUBJECT TO CHANGE AND THE CONTROLLING ENGINEERING ORGANIZATION SHOULD BE CONTACTED FOR THE LASTEST REVISION.		DWN K.IKEDA 16/MAY/'96	 Tyco Electronics AMP K.K. Kawasaki, Japan
DIMENSIONS: 単位 番 mm		CHK Y.Ishikawa 16/MAY/'96	
TOLERANCES UNLESS OTHERWISE SPECIFIED		APVD S.Manabe 17/MAY/'96	NAME 名称 1列 タブ ハウジング フリーハンギング タイプ
一般公差 1φ : ±0.2 >10 : ±0.25 3φ : ±0.3 >30 : ±0.3 ANGLE : ±0.3°		PRODUCT SPEC 製品規格 108-5453	SINGLE ROW TAB HSG (FREE HANGING) <DYNAMIC D-5200 S>
MATERIAL 材料		APPLICATION SPEC 取付適用規格 114-5206	SIZE A3
FINISH 仕上		WEIGHT T1	CAGE CODE 00779
		CUSTOMER DRAWING	DRAWING NO 番号 C-353046
			SCALE 尺度 2-1
			SHEET 1 OF 1
			REV D

X-ON Electronics

Largest Supplier of Electrical and Electronic Components

Click to view similar products for [Headers & Wire Housings](#) category:

Click to view products by [TE Connectivity](#) manufacturer:

Other Similar products are found below :

[892-18-020-10-001101](#) [58102-G61-06LF](#) [582553-1](#) [0009485154](#) [009176003701906](#) [0050291907](#) [LY20-4P-DT1-P1E-BR](#) [02.125.8002.8](#)
[609-3404](#) [61062-3](#) [61082-181009](#) [622-3653LF](#) [63453-116](#) [636-1030](#) [636-1427](#) [636-3427](#) [636-4007](#) [641938-9](#) [641991-4](#) [644827-2](#) [65817-](#)
[010LF](#) [65817-015LF](#) [65863-015LF](#) [66207-023LF](#) [67095-007LF](#) [67601157](#) [68645-018](#) [68648-049](#) [70.362.1628.0](#) [70-4210](#) [70-4226B](#) [70-](#)
[4853B](#) [707-5020](#) [707-5028](#) [71.350.2428.0](#) [71918-208LF](#) [71961-016LF](#) [733-134](#) [733-162](#) [754199-000](#) [760-3052](#) [787-8014-00](#) [79531-3000](#)
[FCN-360C032-B](#) [FCN-367T-T012/H](#) [FCN-723D010/2](#) [80.063.4001.1](#) [800-90-001-10-001000](#) [800-90-010-10-002000](#) [801-43-002-10-013000](#)