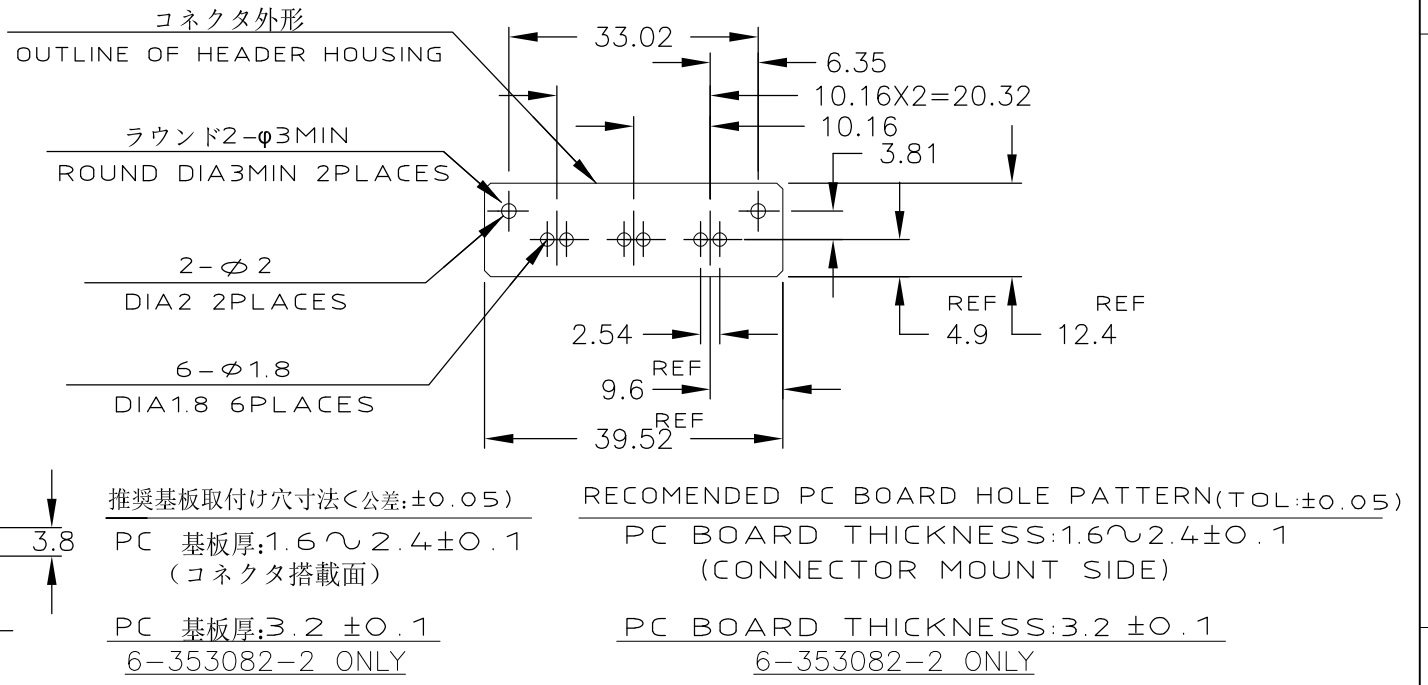
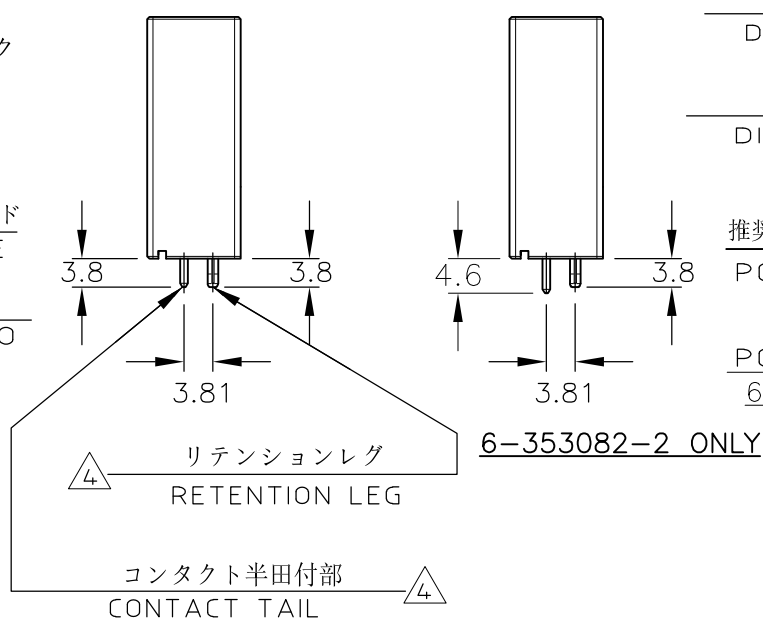
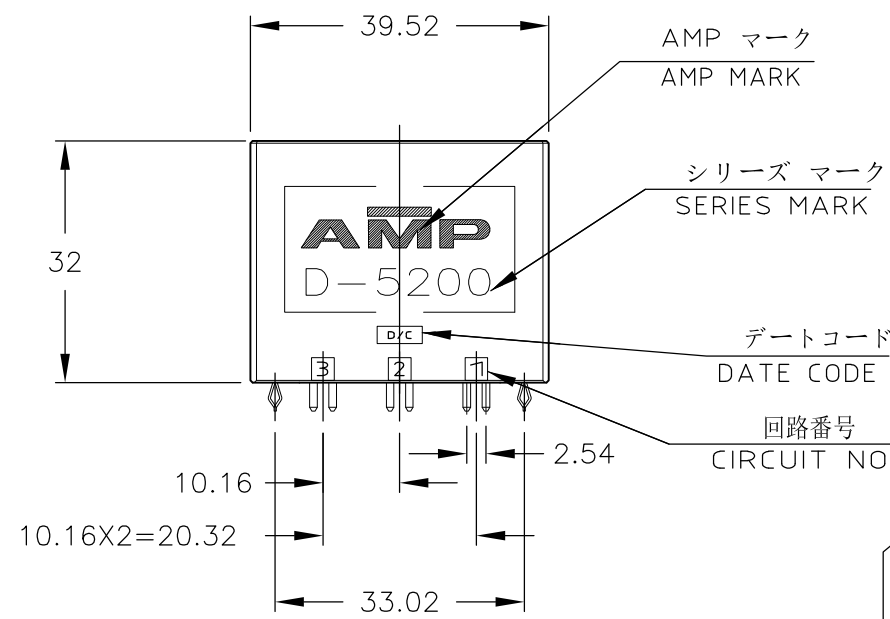
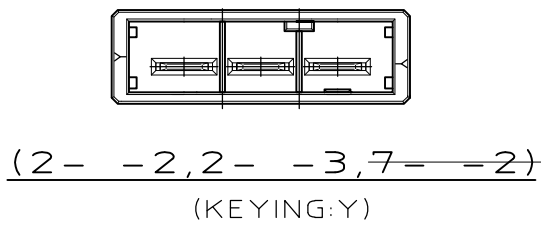
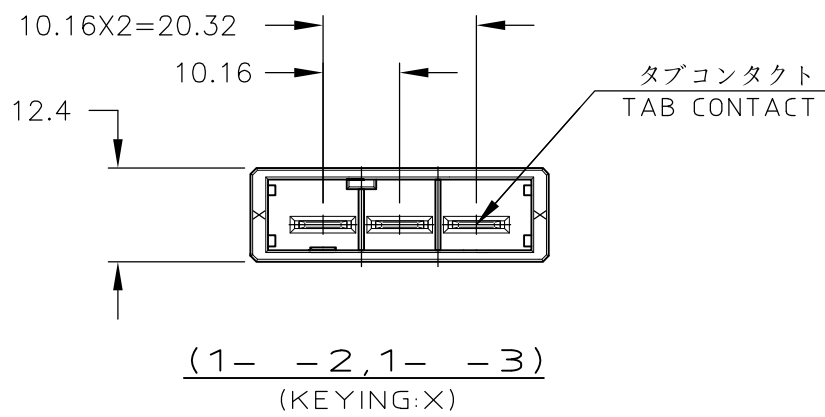


THIS DRAWING IS UNPUBLISHED. RELEASED FOR PUBLICATION
 © COPYRIGHT 1996 By Tyco Electronics Japan G.K. ALL RIGHTS RESERVED.

| LOC | DIST | REVISIONS | | | | | |
|-----|------|-----------|-----|-------------|-----------|-----|------|
| | | P | LTR | DESCRIPTION | DATE | DWN | APVD |
| — | — | | G | REVISED | 23OCT2012 | H.M | N.Y |



- 注記
- 材料 ハウジング:ガラス入り熱可塑性ポリエステル樹脂(94V-0)
タブコンタクト:銅合金
リテンションレグ:黄銅
 - めっき コンタクト全面Ni下地
接触部 0.38μm MIN金めっき
 - めっき コンタクト全面Ni下地
接触部 0.76μm MIN金めっき
 - めっき リテンションレグとコンタクト半田付部
: ニッケル下地の上にスズめっき

- NOTES
- MATERIAL:HOUSING:GLASS FILED THERMO PLASTIC ,POLYESTER(94V-0)
TAB CONTACT:COPPER ALLOY
RETENTION LEG:BRASS
 - FINISH(CONTACT AREA):0.38μmMIN GOLD PLATING OVER Ni PLATING
 - FINISH(CONTACT AREA):0.76μmMIN GOLD PLATING OVER Ni PLATING
 - FINISH(RETENTION LEG): TIN PLATED (CONTACT TAIL) OVER NICKEL

| KEY TYPE | コンタクトのめっき (FINISH) | 色 COLOR | 製品番号 (PART NO.) | |
|----------|--------------------|---------|-----------------|----------|
| Y | △4 △2 | NATURAL | -7-353082-2 | OBSOLETE |
| | △4 △3 | BLACK | 2-353082-3 | |
| | △4 △2 | BLACK | 2-353082-2 | |
| X | △4 △3 | BLACK | 1-353082-3 | |
| | △4 △2 | BLACK | 6-353082-2 | |
| | △4 △2 | BLACK | 1-353082-2 | |

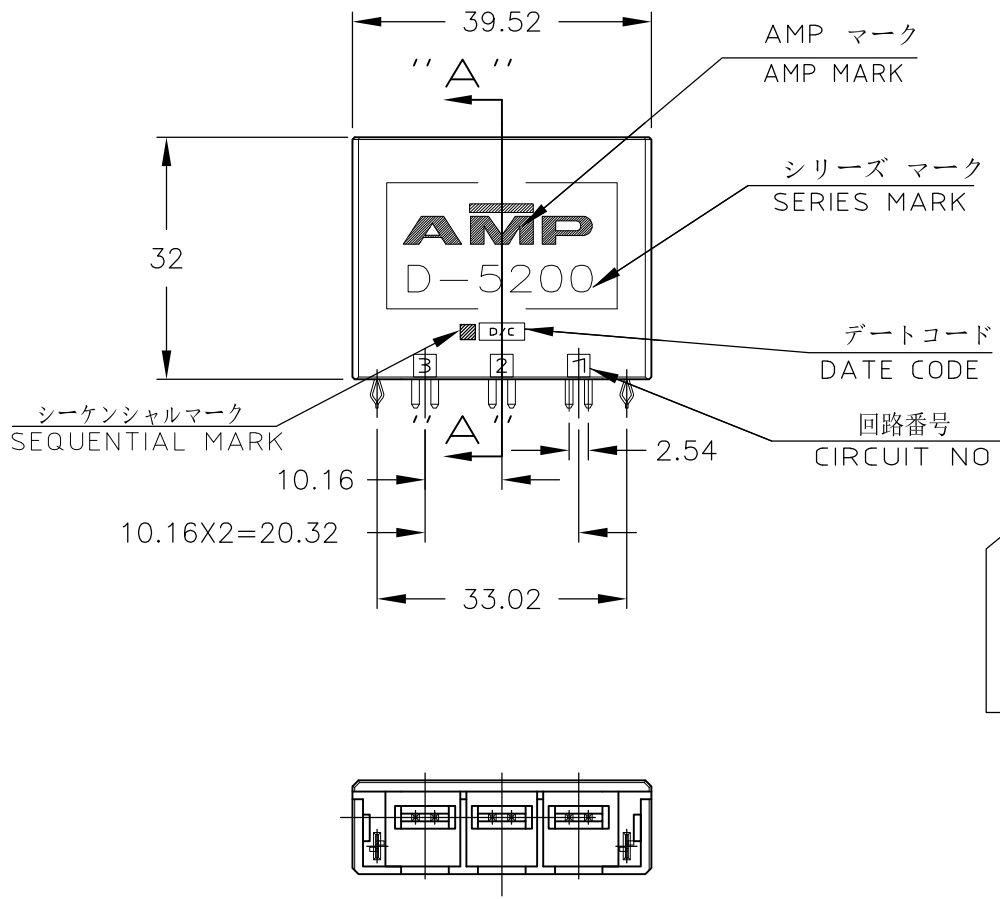
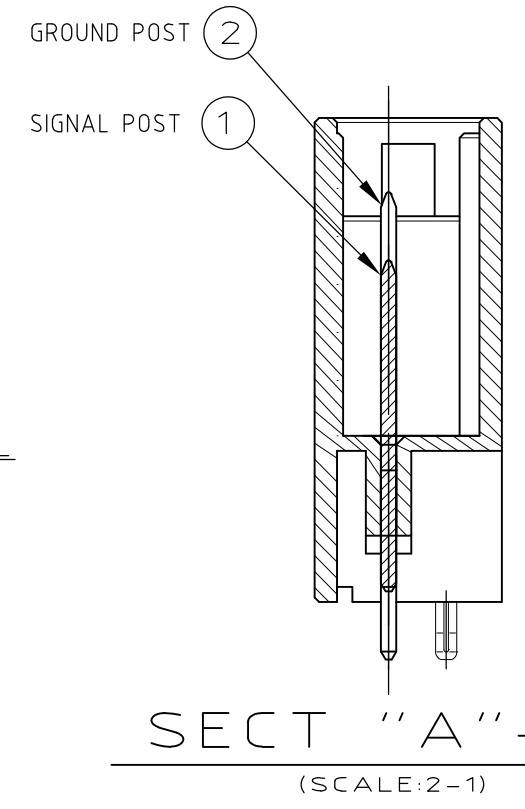
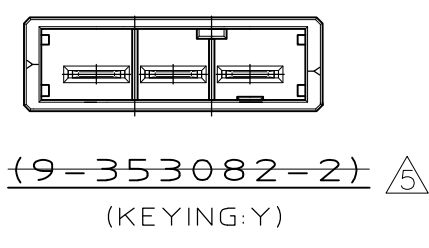
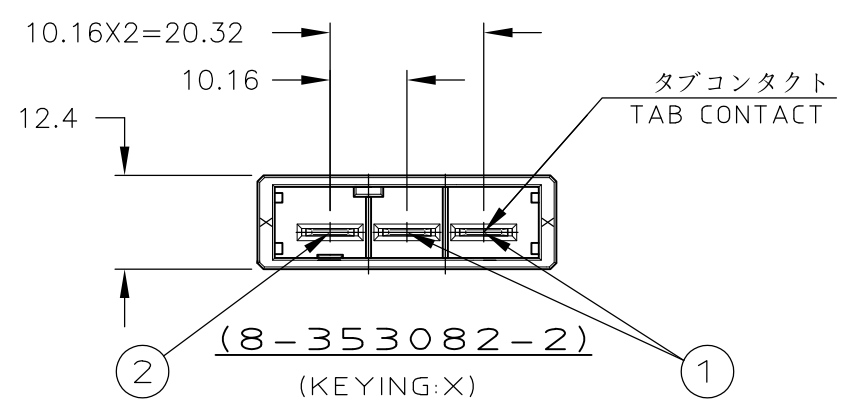
THIS DRAWING IS A CONTROLLED DOCUMENT.

| | | | |
|-------------------|---|---------------------------|---|
| DIMENSIONS: mm | TOLERANCES UNLESS OTHERWISE SPECIFIED: 0-PLC ± 10 ± 0.3 1-PLC ± 30 >10 ± 0.35 2-PLC ± 100 >30 ± 0.4 3-PLC ± 4-PLC ± ANGLES ± 3° | DWN K.IKEDA 04JUL1996 | TE Connectivity |
| MATERIAL SEE NOTE | FINISH SEE NOTE | CHK Y.ISHIKAWA 04JUL1996 | |
| | | APVD F3 04JUL1996 | |
| | | PRODUCT SPEC 108-5453 | |
| | | APPLICATION SPEC 114-5206 | NAME SINGLE ROW HEADER ASSY 3P V-TYPE DYNAMIC D-5200S |
| | | WEIGHT | SIZE A3 CAGE CODE 00779 DRAWING NO C-353082 RESTRICTED TO - |
| | | CUSTOMER DRAWING | SCALE 1:1 SHEET 1 OF 2 REV G |

THIS DRAWING IS UNPUBLISHED. RELEASED FOR PUBLICATION
 © COPYRIGHT 1996 By Tyco Electronics Japan G.K. ALL RIGHTS RESERVED.

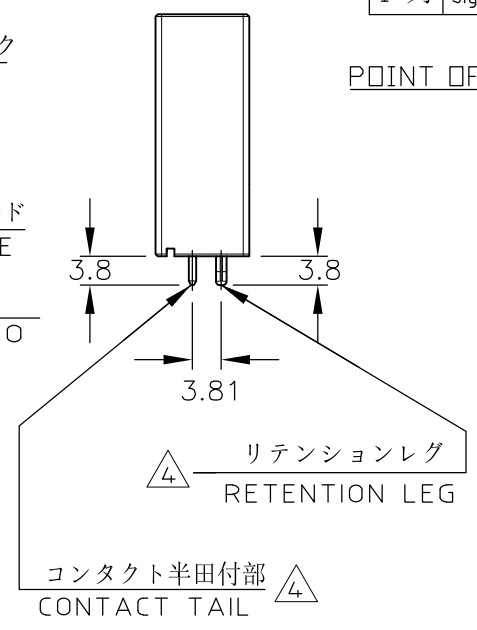
| LOC | DIST | REVISIONS | | | | | |
|-----|------|-----------|-----|-------------|------|-----|------|
| | | P | LTR | DESCRIPTION | DATE | DWN | APVD |
| - | - | - | - | SEE SHEET 1 | - | - | - |

8,9-353082-2; AS SHOWN
 SEQUENTIAL TYPE



| | | 回路番号 | | |
|-----|---|--------|--------|--------|
| | | 1 | 2 | 3 |
| 1 列 | ① | ① | ① | ② |
| | | Signal | Signal | Ground |

POINT OF SEQUENTIAL



- 注記
- 材料 ハウジングガラス入り熱可塑性ポリエステル樹脂(94V-0)
 タブ コンタクト: 銅合金
 リテンション レグ: 黄銅
 - めっき コンタクト全面Ni下地
 接触部 0.38μm MIN金めっき
 - めっき コンタクト全面Ni下地
 接触部 0.76μm MIN金めっき
 - めっき リテンションレグとコンタクト半田付部
 : ニッケル下地の上にスズめっき
 - OBSOLETE PARTS:OBSOLETE CIS STREAMLINING PER D.RENAUD/D.SINISI

- NOTES
- MATERIAL:HOUSING:GLASS FILED THERMO PLASTIC ,POLYESTER(94V-0)
 TAB CONTACT:COPPER ALLOY
 RETENTION LEG:BRASS
 - FINISH(CONTACT AREA):0.38μmMIN GOLD PLATING OVER Ni PLATING
 - FINISH(CONTACT AREA):0.76μmMIN GOLD PLATING OVER Ni PLATING
 - FINISH(RETENTION LEG): TIN PLATED (CONTACT TAIL) OVER NICKEL

| | | | | |
|----------|--------------------|---------|-----------------|--|
| Y | | | | |
| X | | | | |
| KEY TYPE | コンタクトのめっき (FINISH) | 色 COLOR | 製品番号 (PART NO.) | |

OBSOLETE ⑤

| | | | | |
|--|--|--------------------------------|---|------------------------------|
| THIS DRAWING IS A CONTROLLED DOCUMENT. | | DWN K.IKEDA 04JUL1996 | TE Connectivity | |
| | | CHK Y.ISHIKAWA 04JUL1996 | | |
| DIMENSIONS: mm | | APVD F3 04JUL1996 | NAME SINGLE ROW HEADER ASSY 3P V-TYPE DYNAMIC D-5200S | |
| TOLERANCES UNLESS OTHERWISE SPECIFIED: 0-PLC ± 100 ± 0.3 1-PLC ± 30 > 10 ± 0.35 2-PLC ± 100 > 30 ± 0.4 3-PLC ± 4-PLC ANGLS ± 3° | | PRODUCT SPEC 108-5453 | SIZE A3 | |
| MATERIAL SEE NOTE | | APPLICATION SPEC 114-5206 | CAGE CODE 00779 | DRAWING NO C-353082 |
| | | WEIGHT | RESTRICTED TO | |
| | | CUSTOMER DRAWING | | SCALE 1:1 SHEET 2 OF 2 REV G |

X-ON Electronics

Largest Supplier of Electrical and Electronic Components

Click to view similar products for [Headers & Wire Housings](#) category:

Click to view products by [TE Connectivity](#) manufacturer:

Other Similar products are found below :

[892-18-020-10-001101](#) [58102-G61-06LF](#) [582553-1](#) [0009485154](#) [009176003701906](#) [0050291907](#) [LY20-4P-DT1-P1E-BR](#) [02.125.8002.8](#)
[609-3404](#) [61062-3](#) [61082-181009](#) [622-3653LF](#) [63453-116](#) [636-1030](#) [636-1427](#) [636-3427](#) [636-4007](#) [641938-9](#) [641991-4](#) [644827-2](#) [65817-010LF](#) [65817-015LF](#) [65863-015LF](#) [66207-023LF](#) [67095-007LF](#) [67601157](#) [68645-018](#) [68648-049](#) [70.362.1628.0](#) [70-4210](#) [70-4226B](#) [70-4853B](#) [707-5020](#) [707-5028](#) [71.350.2428.0](#) [71918-208LF](#) [71961-016LF](#) [733-134](#) [733-162](#) [754199-000](#) [760-3052](#) [787-8014-00](#) [79531-3000](#)
[FCN-360C032-B](#) [FCN-367T-T012/H](#) [FCN-723D010/2](#) [80.063.4001.1](#) [800-90-001-10-001000](#) [800-90-010-10-002000](#) [801-43-002-10-013000](#)