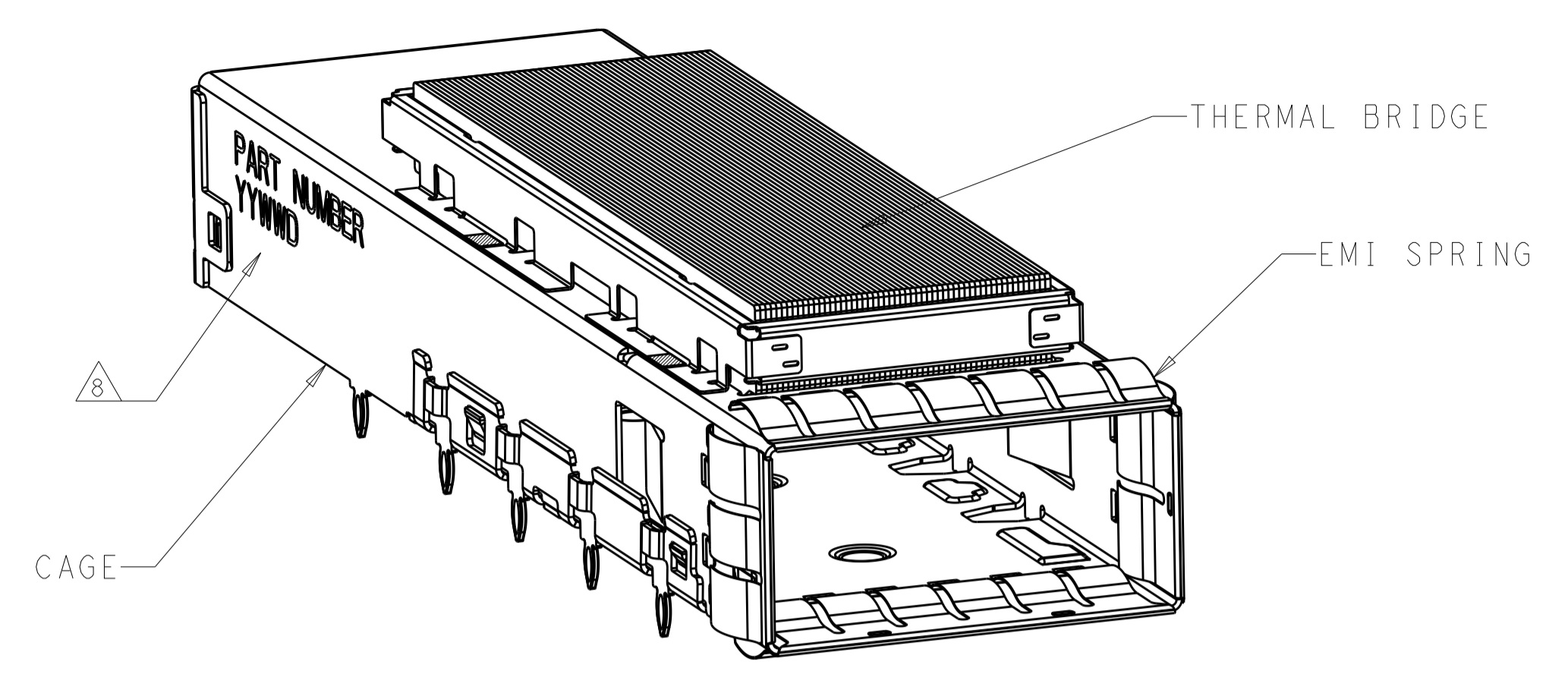
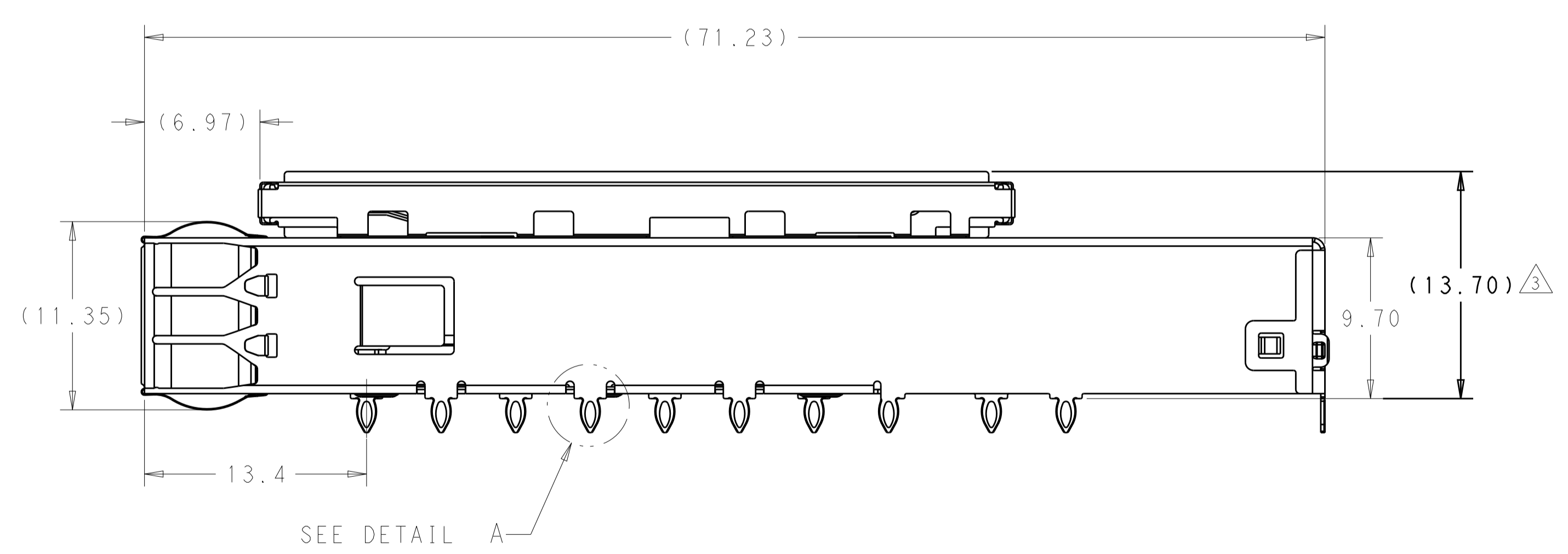
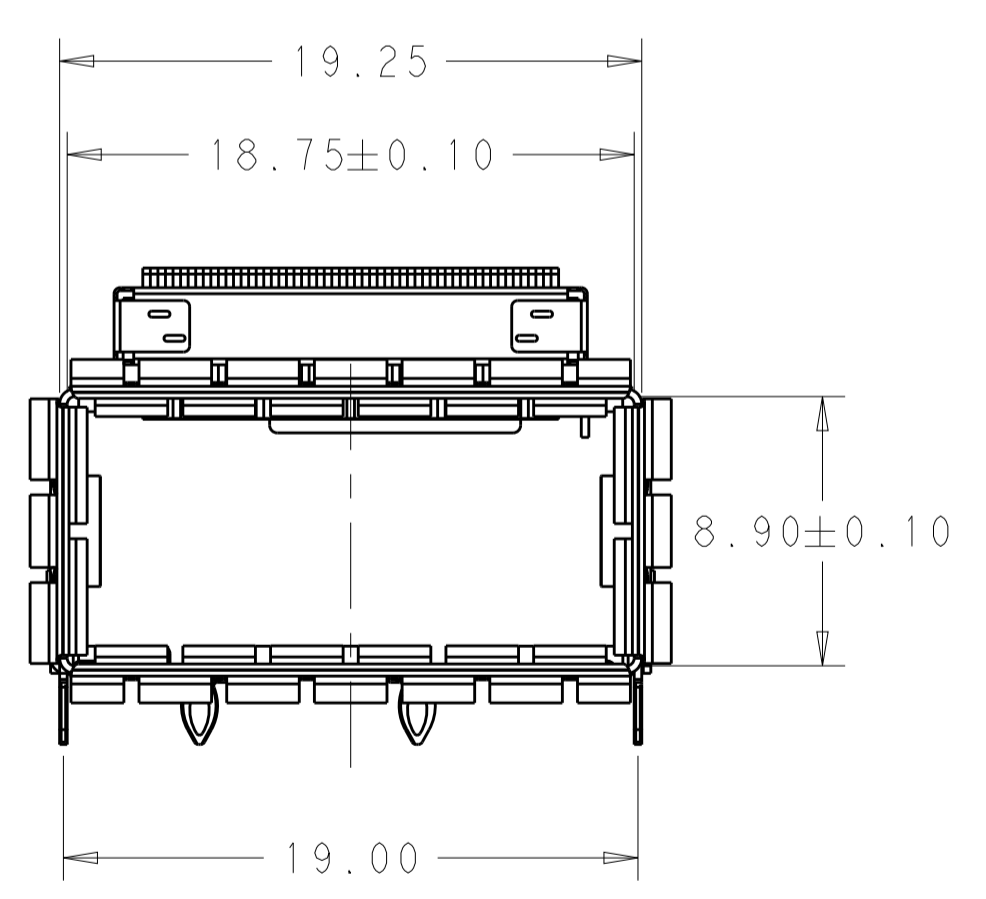
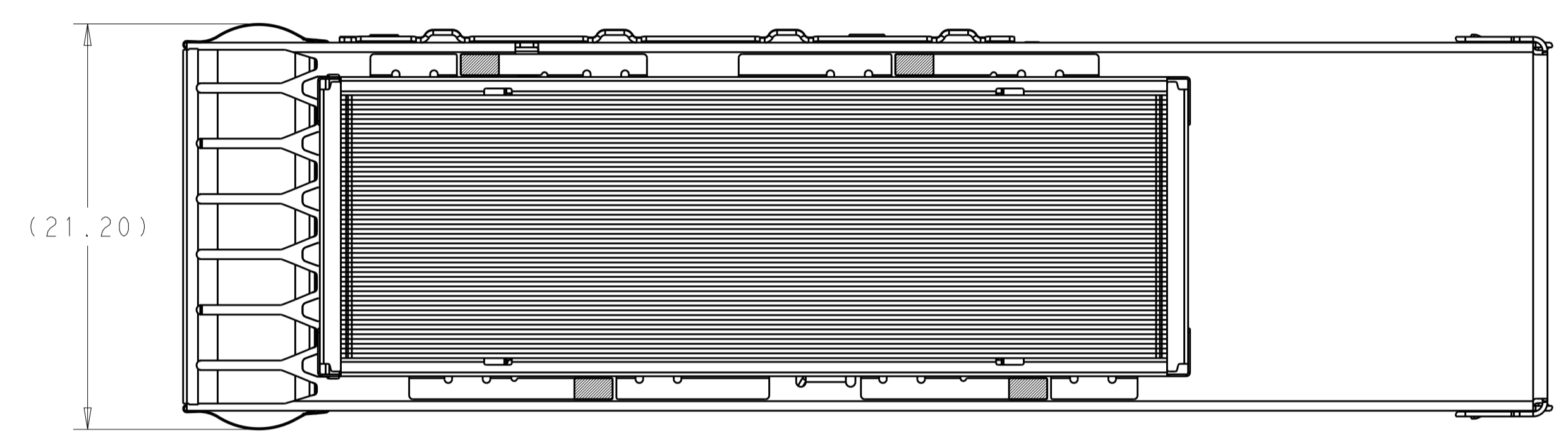


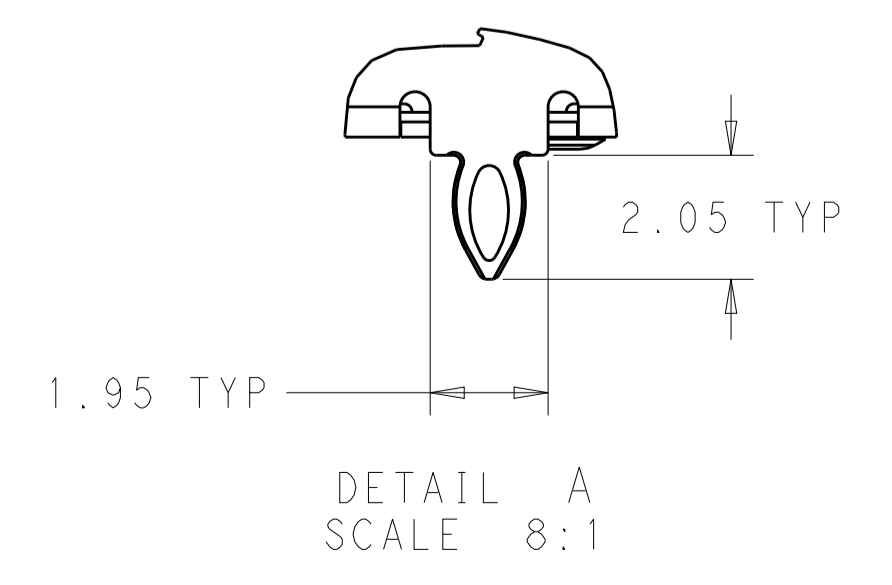
LOC	DIST	REV	DATE	BY	CHK	APPD
-	-	A	04JUN2020	VL	SH	
-	-	A1	30JUN2020	VL	SH	



2354751-1 AS SHOWN  
SCALE 4:1

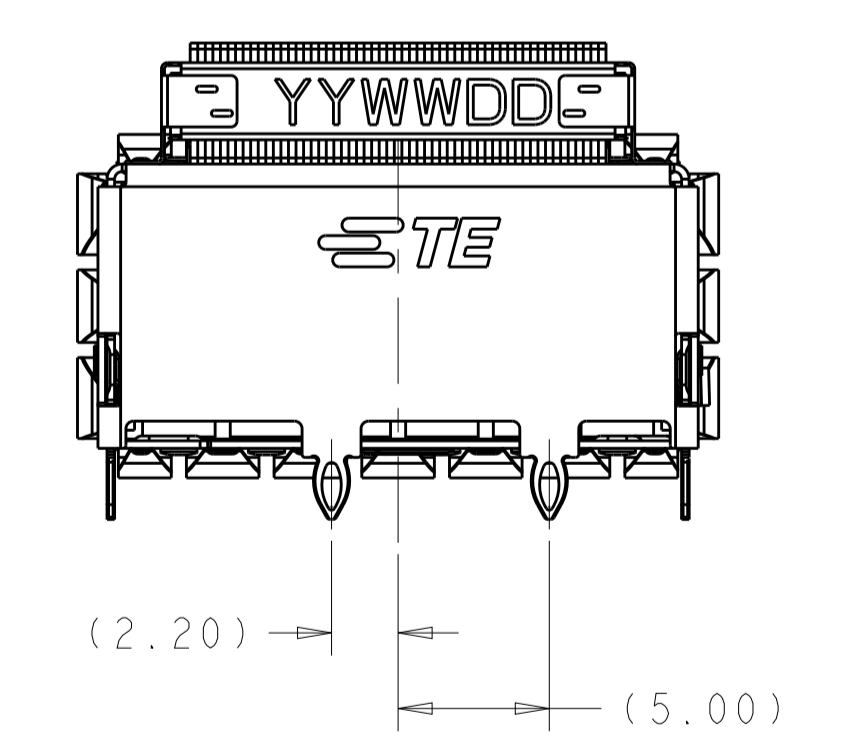


2354751-1  
SCALE 4:1



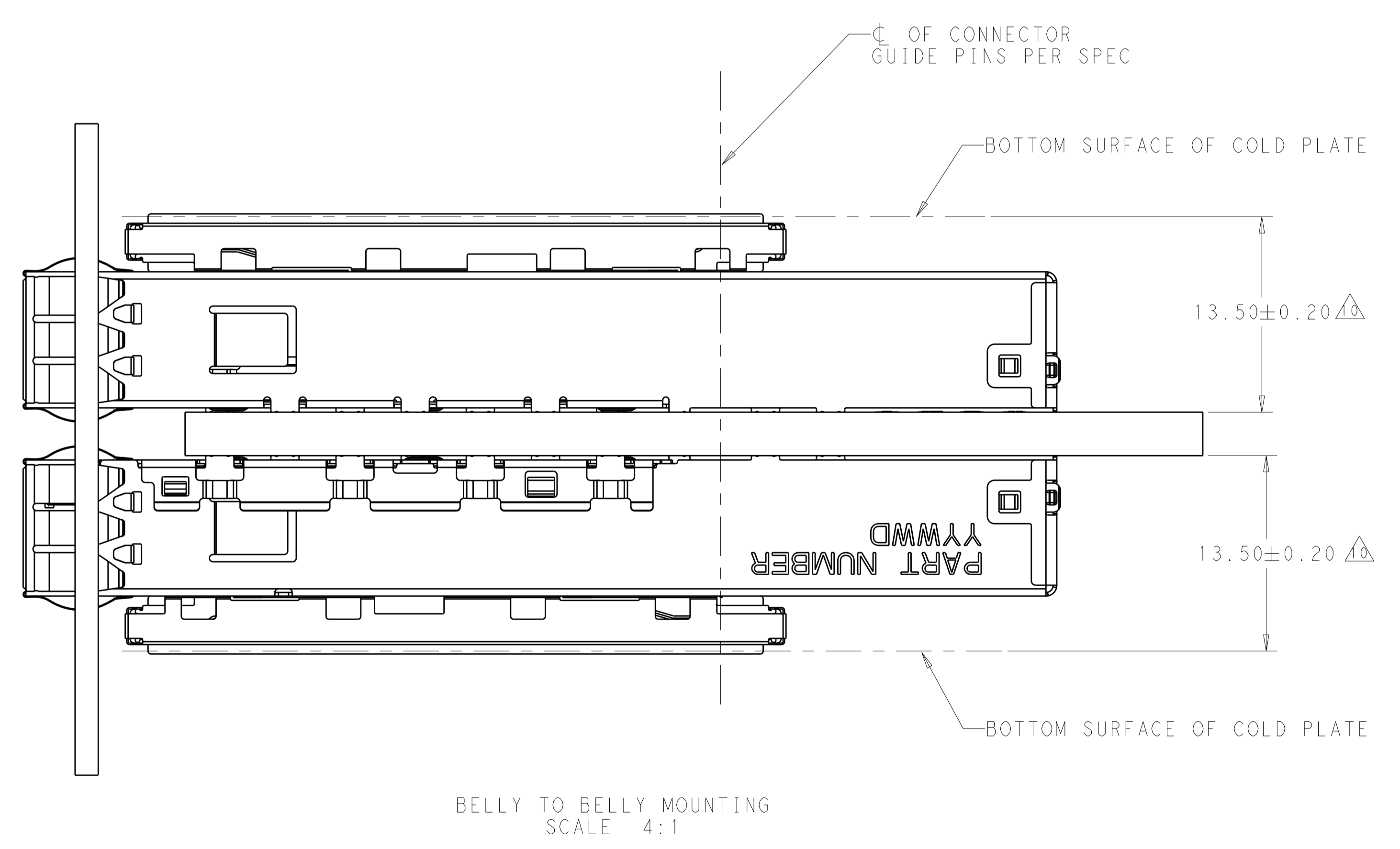
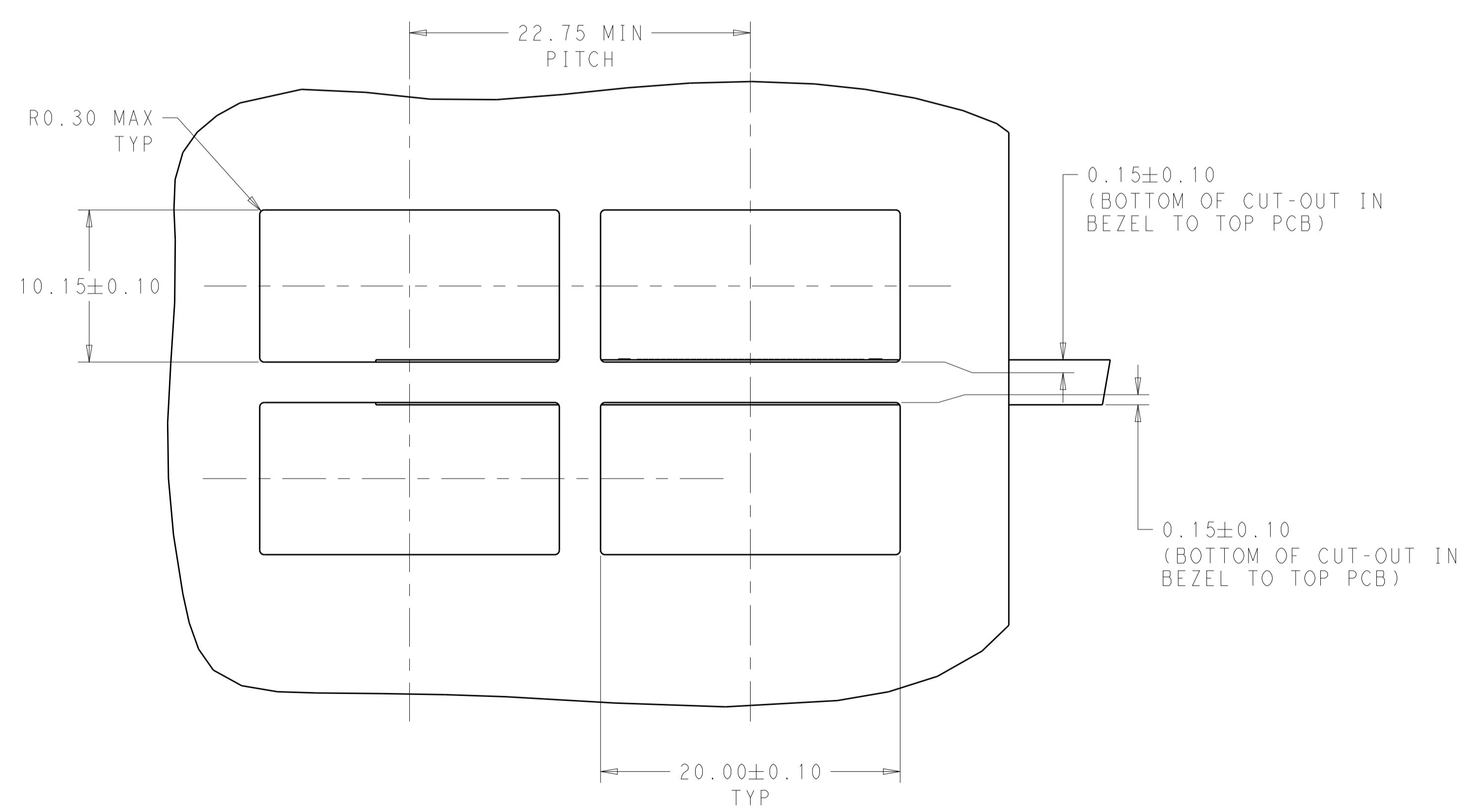
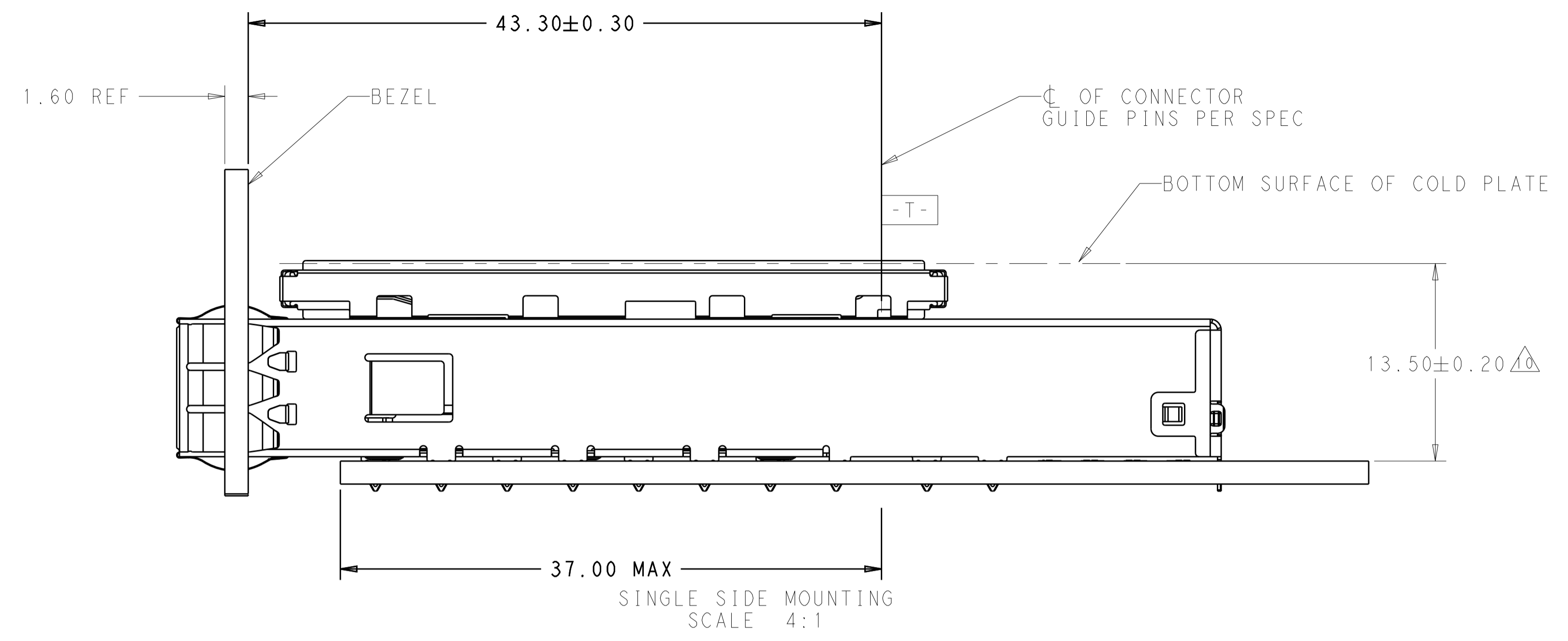
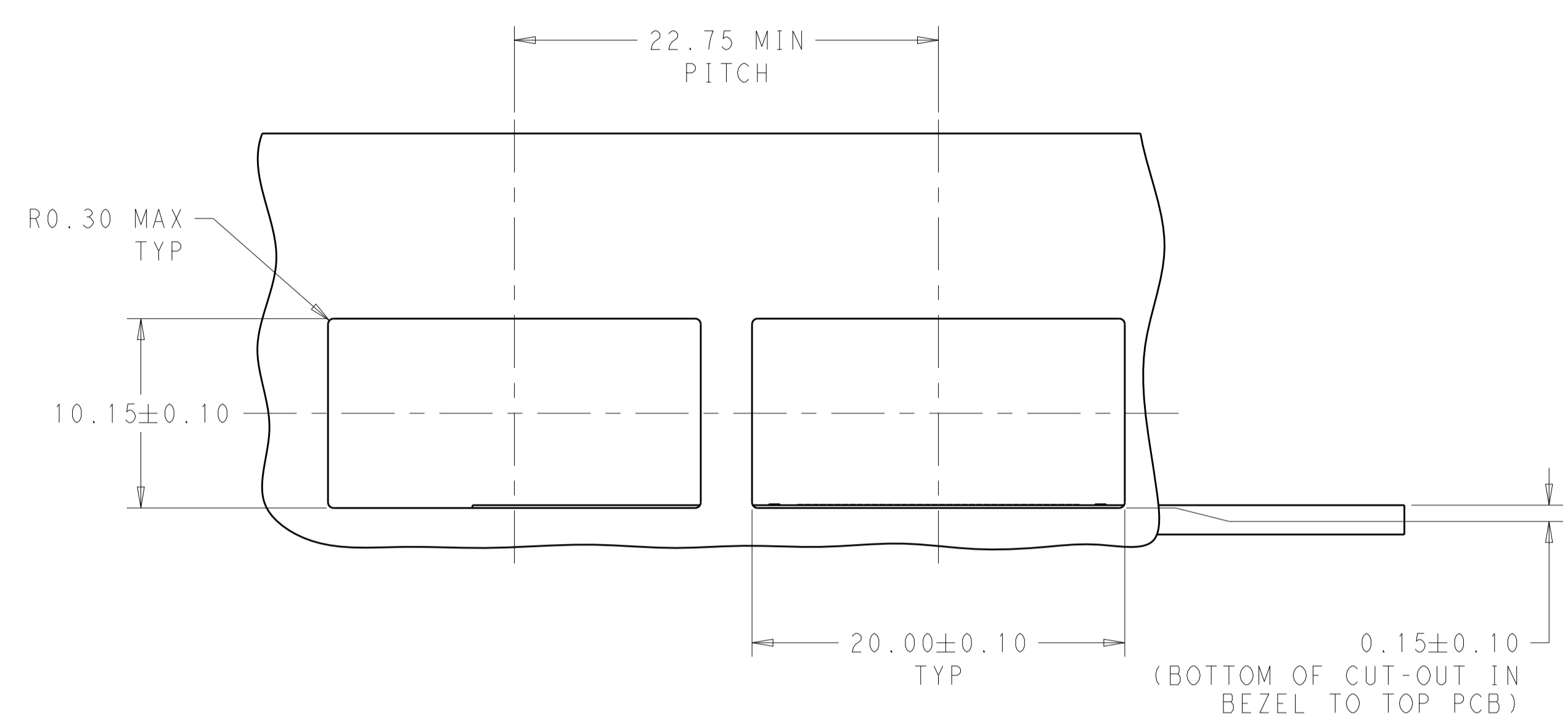
DETAIL A  
SCALE 8:1

1. MATERIAL:  
CAGE MATERIAL : 0.25 THICK STAINLESS STEEL.  
SPRING MATERIAL: COPPER ALLOY  
THERMAL BRIDGE: COPPER ALLOY
2. FINISH:  
SPRING: NICKEL PLATING  
CONNECTOR EMI SPRING: TIN PLATING  
THERMAL BRIDGE: ELECTROLESS NICKEL
3. DIMENSION APPLIES PRIOR TO MODULE INSTALLED IN THE CAGE TO TOP OF THERMAL BRIDGE.
4. REFERENCE APPLICATION SPEC 114-60025 FOR RECOMMENDED DRILL HOLE DIAMETER AND PLATING THICKNESS.
5. DATUM AND BASIC DIMENSIONS ESTABLISHED BY CUSTOMERS.
6. MINIMUM PC BOARD THICKNESS : SINGLES SIDED: 1.57 MIN  
DOUBLE SIDED: 3.00 MIN
7. DATUM **-A-** IS TOP SURFACE OF THE HOST BOARD.
8. DATE CODE (YYWW) MARKED APPROXIMATELY AS SHOWN
9. MATES WITH QSFP DD MSA COMPATIBLE TRANSCEIVER.
10. RECOMMENDED STANDOFF HEIGHT FOR COLD PLATE:  
OPTION 1: 13.50 +/-0.20 MM WITH THERMAL GREASE, THERMAL GREASE THICKNESS: 0.10+/-0.05MM.  
OPTION 2: 13.40 +/-0.20 MM WITHOUT THERMAL GREASE.



STANDARD		2	2354751-1
REMARK		# REAR PINS	PART NUMBER
THIS DRAWING IS A CONTROLLED DOCUMENT.		OWN: LEO LI 19APR2019	TE Connectivity NAME: CAGE ASSEMBLY, QSFP-DD 1X1, WITH EMI SPRING FINGER PRODUCT SPEC: 108-60122/108-130042 APPLICATION SPEC: 114-130017
DIMENSIONS:		CHK: SEAN HAN 19APR2019	
TOLERANCES UNLESS OTHERWISE SPECIFIED:		APPD: SEAN HAN 19APR2019	
mm		SIZE: CAGE CODE DRAWING NO	
0 PLC	±0.25	WEIGHT	RESTRICTED TO
1 PLC	±0.25	A1	
2 PLC	±0.20	SCALE 2:1	SHEET 1 OF 5
3 PLC	±0.10	REV A1	
4 PLC	±0.10	CUSTOMER DRAWING	
ANGLES	±°		
FINISH			

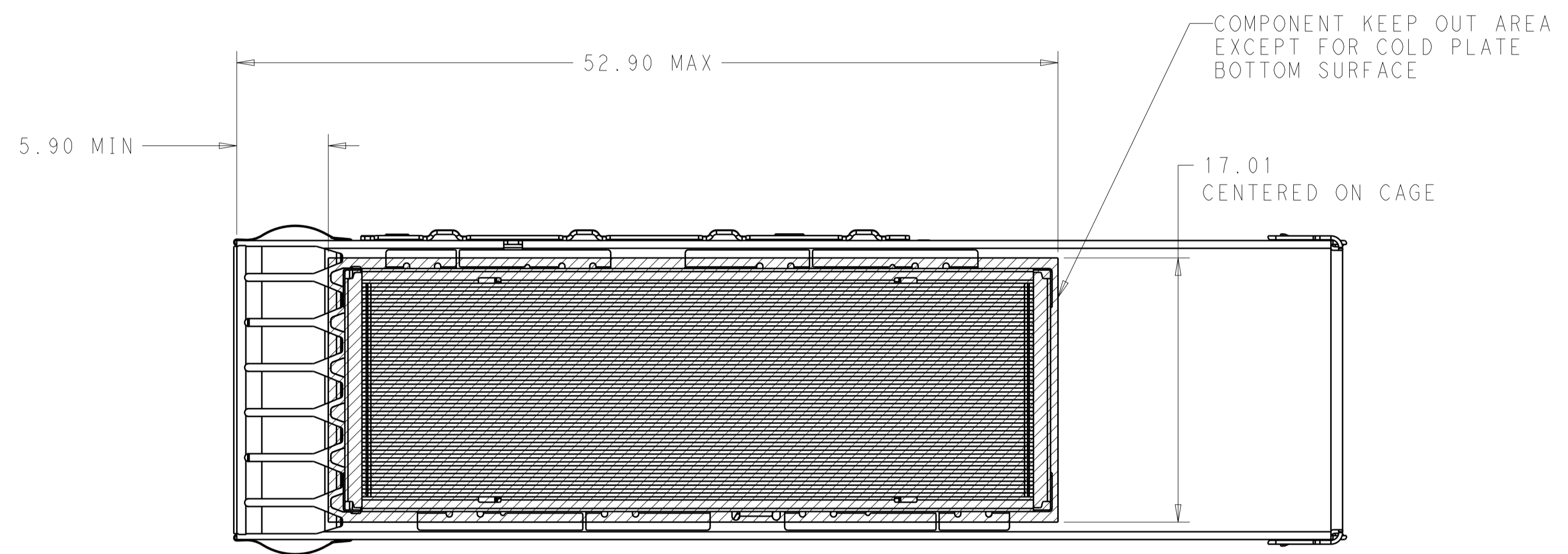
LOC		DIST		REVISIONS			
				DESCRIPTION	DATE	OWN	APVD
-	-	-	-	SEE SHEET 1	-	-	-



THIS DRAWING IS A CONTROLLED DOCUMENT.		OWN: LEO LI 19APR2019	TE Connectivity	
DIMENSIONS: mm		CHK: SEAN HAN 19APR2019		
TOLERANCES UNLESS OTHERWISE SPECIFIED:		APVD: SEAN HAN 19APR2019	NAME: CAGE ASSEMBLY, QSPF-DD 1X1, WITH EMI SPRING FINGER	
0 PLC ±0.25	1 PLC ±0.25	PRODUCT SPEC: 108-60122/108-130042	SIZE: A1	
2 PLC ±0.20	3 PLC ±0.10	APPLICATION SPEC: 114-130017	CAGE CODE: 2354751	
4 PLC ±	ANGLES ±	FINISH ±	RESTRICTED TO: -	
MATERIAL: -		WEIGHT: -	SCALE: 2:1 SHEET 2 OF 5 REV: A1	
CUSTOMER DRAWING				

THIS DRAWING IS UNPUBLISHED. RELEASED FOR PUBLICATION  
 © COPYRIGHT - ALL RIGHTS RESERVED.

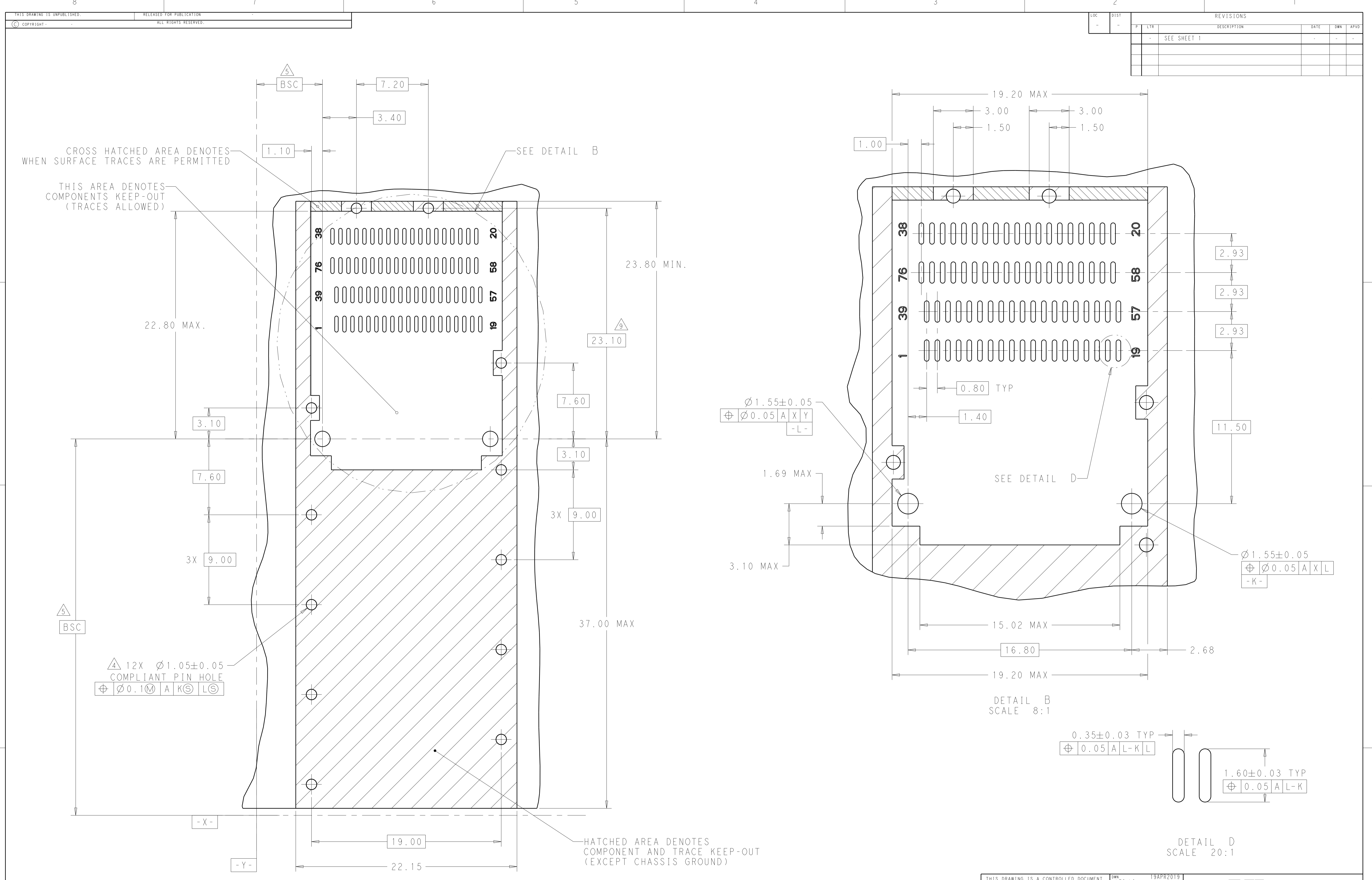
LOC		DIST		REVISIONS			
		P	LTN	DESCRIPTION	DATE	DWN	APVD
-	-	-	-	SEE SHEET 1	-	-	-



COMPONENT KEEP OUT AREA FOR THERMAL BRIDGE

THIS DRAWING IS A CONTROLLED DOCUMENT.		DWN	LEO LI	19APR2019	
DIMENSIONS:		CHK	SEAN HAN	19APR2019	
mm	TOLERANCES UNLESS OTHERWISE SPECIFIED:	APVD	SEAN HAN	19APR2019	NAME
0 PLC	±0.25	PRODUCT SPEC		108-60122/108-130042	CAGE ASSEMBLY, QSFP-DD 1X1, WITH EMI SPRING FINGER
1 PLC	±0.25	APPLICATION SPEC		114-130017	RESTRICTED TO
2 PLC	±0.20	MATERIAL		114-130017	SIZE
3 PLC	±0.10	FINISH		114-130017	CAGE CODE
4 PLC	±	WEIGHT		114-130017	DRAWING NO
ANGLES	±	CUSTOMER DRAWING		114-130017	SCALE
		SCALE		2:1	SHEET
		SHEET		3	OF
		REV		A1	

REVISIONS			DATE	OWN	APVD
LOC	DIST	DESCRIPTION	DATE	OWN	APVD
-	-	SEE SHEET 1	-	-	-



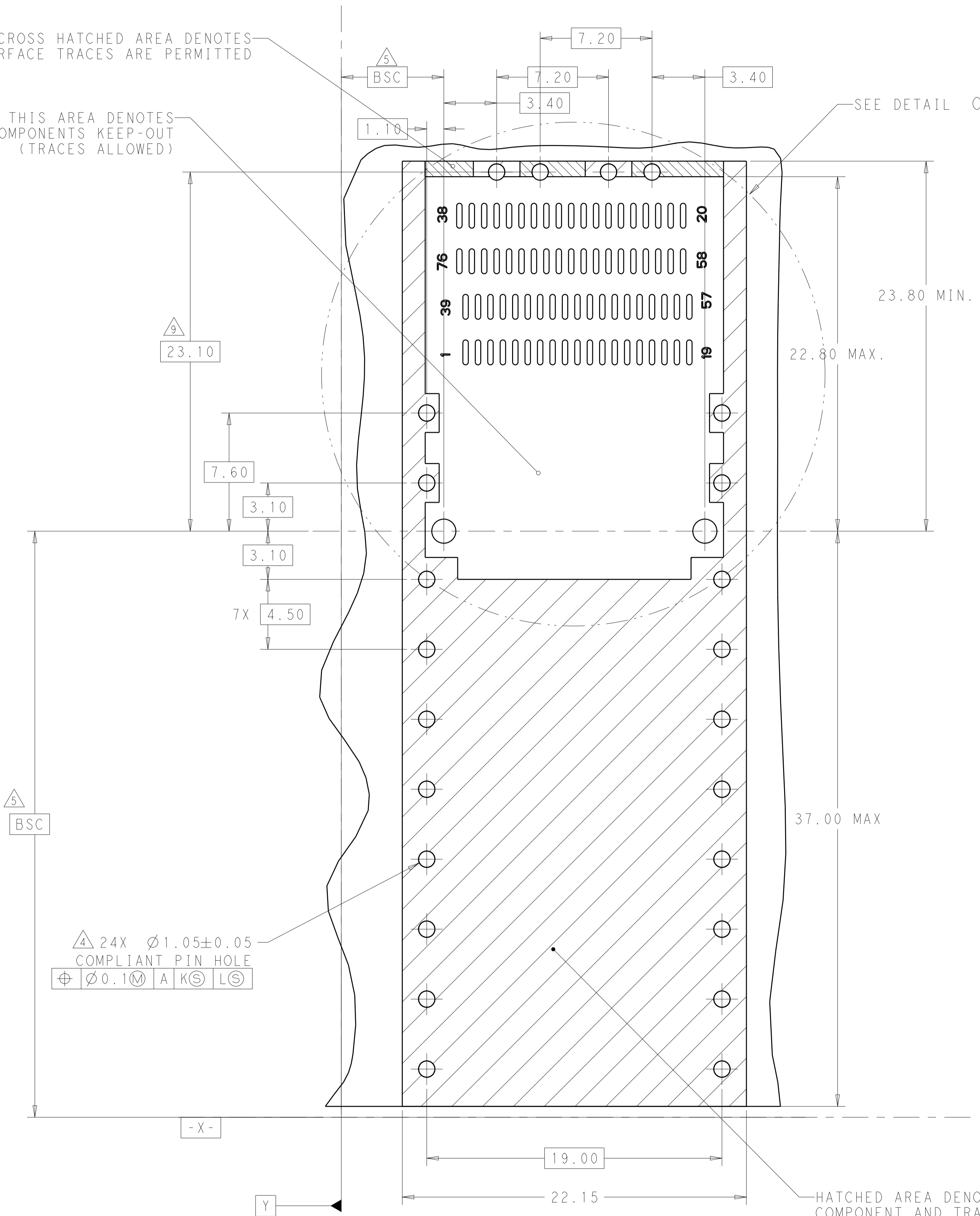
THIS DRAWING IS A CONTROLLED DOCUMENT.		OWN: LEO LI 19APR2019	TE Connectivity
DIMENSIONS: mm		CHK: SEAN HAN 19APR2019	
TOLERANCES UNLESS OTHERWISE SPECIFIED:		APVD: SEAN HAN 19APR2019	NAME: CAGE ASSEMBLY, QSFP-DD 1X1, WITH EMI SPRING FINGER
0 PLC $\pm 0.25$	1 PLC $\pm 0.25$	PRODUCT SPEC	108-60122/108-130042
2 PLC $\pm 0.20$	3 PLC $\pm 0.10$	APPLICATION SPEC	114-130017
4 PLC $\pm 0.10$	ANGLES $\pm$	FINISH	WEIGHT
MATERIAL		FINISH	WEIGHT
		SIZE: A1	CAGE CODE: 2354751
		CUSTOMER DRAWING	
		SCALE: 2:1	SHEET 4 OF 5

LOC		DIST		REVISIONS			
				DESCRIPTION	DATE	DWN	APVD
-	-	-	-	SEE SHEET 1	-	-	-

CROSS HATCHED AREA DENOTES WHEN SURFACE TRACES ARE PERMITTED

THIS AREA DENOTES COMPONENTS KEEP-OUT (TRACES ALLOWED)

SEE DETAIL C

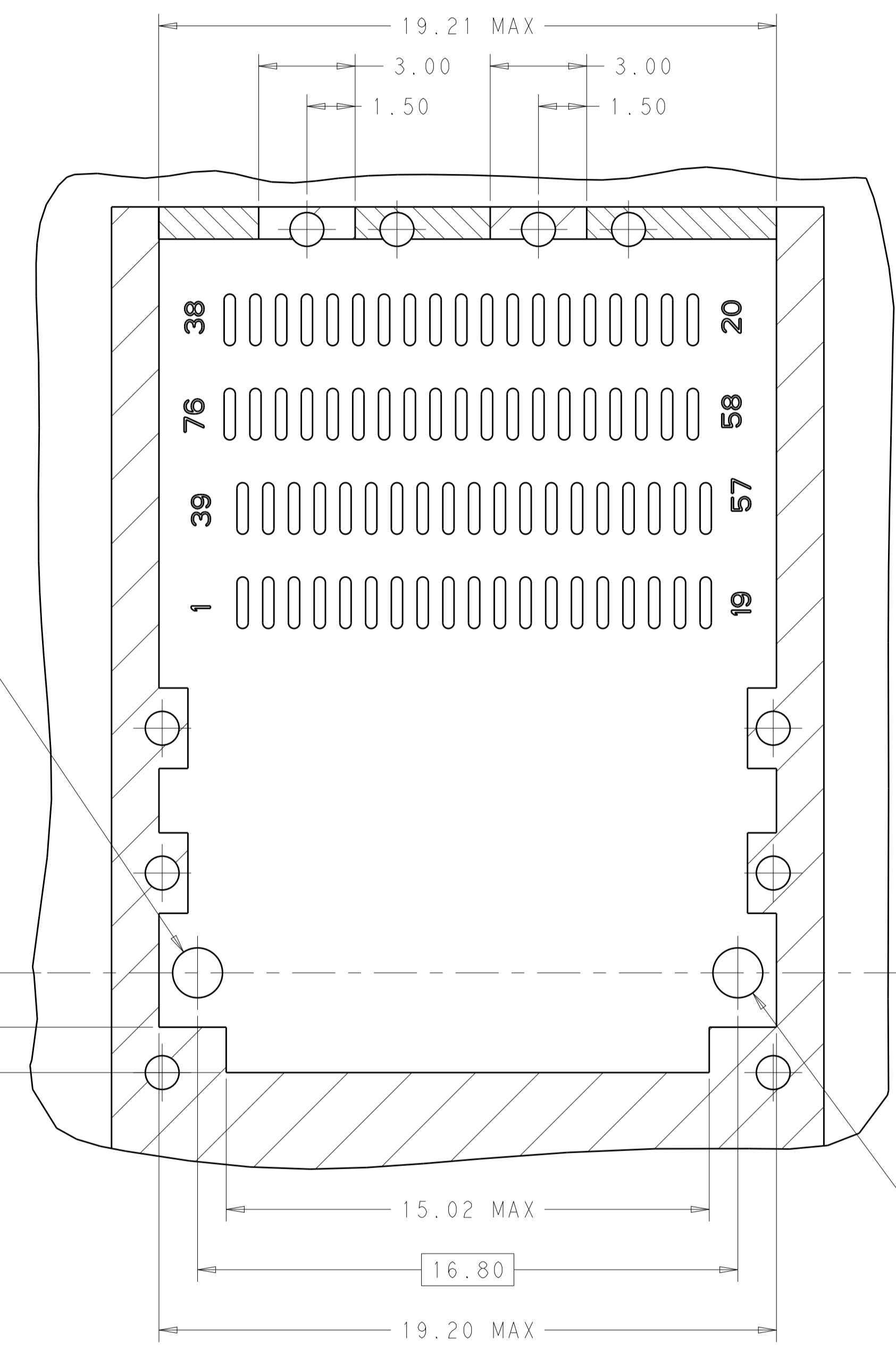


24X  $\varnothing 1.05 \pm 0.05$  COMPLIANT PIN HOLE  
 $\varnothing 0.1 \text{ M A K S L S}$

$\varnothing 1.55 \pm 0.05$   
 $\varnothing 0.05 \text{ A X Y}$   
 -L-

1.69 MAX  
 3.10 MAX

$\varnothing 1.55 \pm 0.05$   
 $\varnothing 0.05 \text{ A X L}$   
 -K-



DETAIL C  
 SCALE 8:1

HATCHED AREA DENOTES COMPONENT AND TRACE KEEP-OUT (EXCEPT CHASSIS GROUND)

RECOMMENDED PCB LAYOUT  
 BELLY TO BELLY TYPE OF 2 REAR HOLES OF LEGS  
 PCB TOLERANCE:  $\pm 0.05$   
 SCALE 6:1

THIS DRAWING IS A CONTROLLED DOCUMENT.		DWN: LEO LI 19APR2019	TE Connectivity
DIMENSIONS: mm		CHK: SEAN HAN 19APR2019	
TOLERANCES UNLESS OTHERWISE SPECIFIED:		APVD: SEAN HAN 19APR2019	NAME: CAGE ASSEMBLY, QSPF-DD 1X1, WITH EMI SPRING FINGER
0 PLC $\pm 0.25$	1 PLC $\pm 0.25$	PRODUCT SPEC: 108-60122/108-130042	SIZE: A1
2 PLC $\pm 0.20$	3 PLC $\pm 0.20$	APPLICATION SPEC: 114-130017	CAGE CODE: 2354751
4 PLC $\pm 0.10$	ANGLES $\pm$	WEIGHT: -	RESTRICTED TO: -
MATERIAL: -	FINISH: -	CUSTOMER DRAWING	SCALE: 2:1 SHEET 5 OF 5 REV: A1

## X-ON Electronics

Largest Supplier of Electrical and Electronic Components

*Click to view similar products for [I/O Connectors](#) category:*

*Click to view products by [TE Connectivity](#) manufacturer:*

Other Similar products are found below :

[571763P](#) [58098-0628](#) [72.250.1628.2](#) [72.250.2428.2](#) [74720-0505](#) [76.350.0729.0](#) [76871-1403](#) [FCN-244F080-G/1](#) [FCN-260A9920](#) [PCR-E36PM](#) [PCS-XE26MA+](#) [G38A71314B](#) [1571250010](#) [157-22500-3](#) [MS3471L14-19P L/C](#) [172501-4002](#) [172501-6002](#) [FCN-260C008-A/L0](#) [FCN-260C024-AL0](#) [FCN-261Z008](#) [2000314-1](#) [200331-1](#) [PCR-E36FC+](#) [PCS-E28FS+](#) [PCS-XE26SLFD+](#) [PCS-XE26SLFDT+](#) [G730VID08BDC24](#) [U90B2054081210](#) [38113800006](#) [DP3AR020WQ1R200](#) [Z4.102.0680.0](#) [500-1040](#) [500-1052](#) [500-1054](#) [ZP-4008-66L](#) [0709821002](#) [DX40-20P\(55\)](#) [5554841-1](#) [MS3474W18-8P-LC\\*](#) [U90B3054061110](#) [U65-E04-4020](#) [ZPF000000000097891](#) [747360449](#) [10099439-003C-TRLF](#) [10137239-0021LF](#) [E9320-001-01](#) [10137239-0011LF](#) [70289-001LF](#) [70.060.1028.0](#) [109029-ZZ](#)