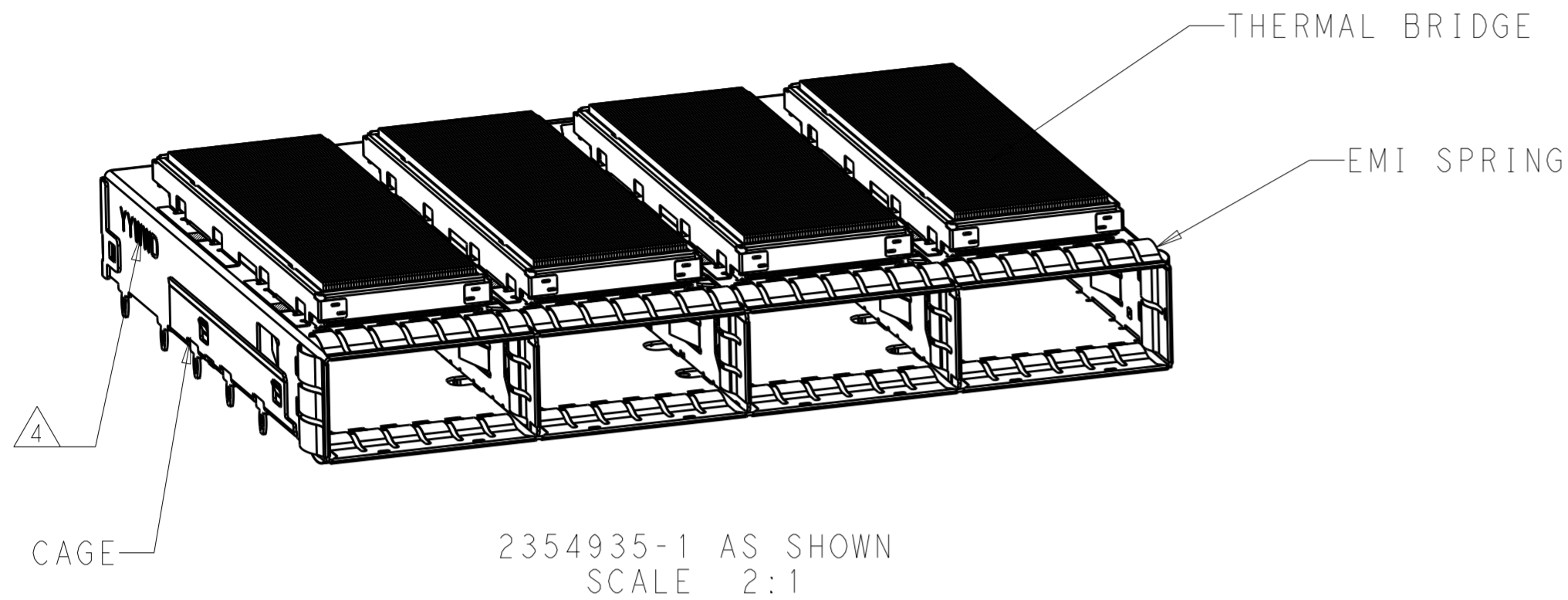
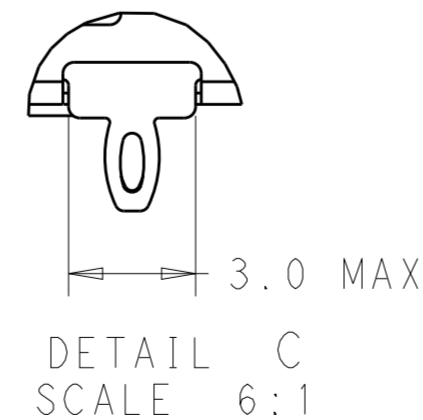
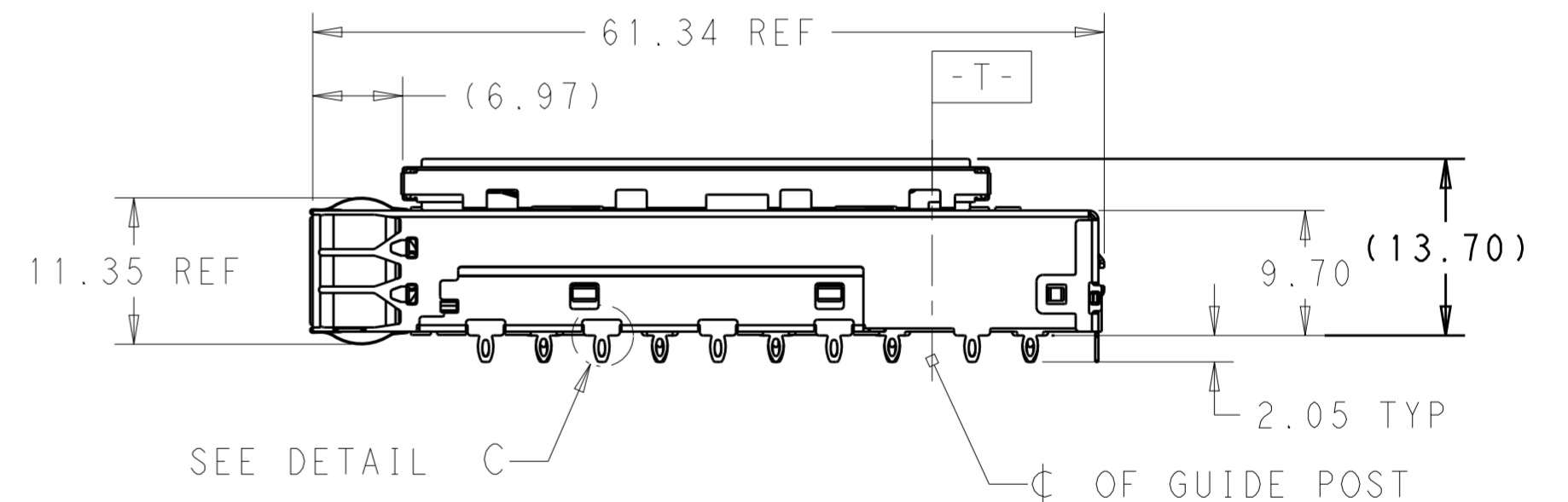
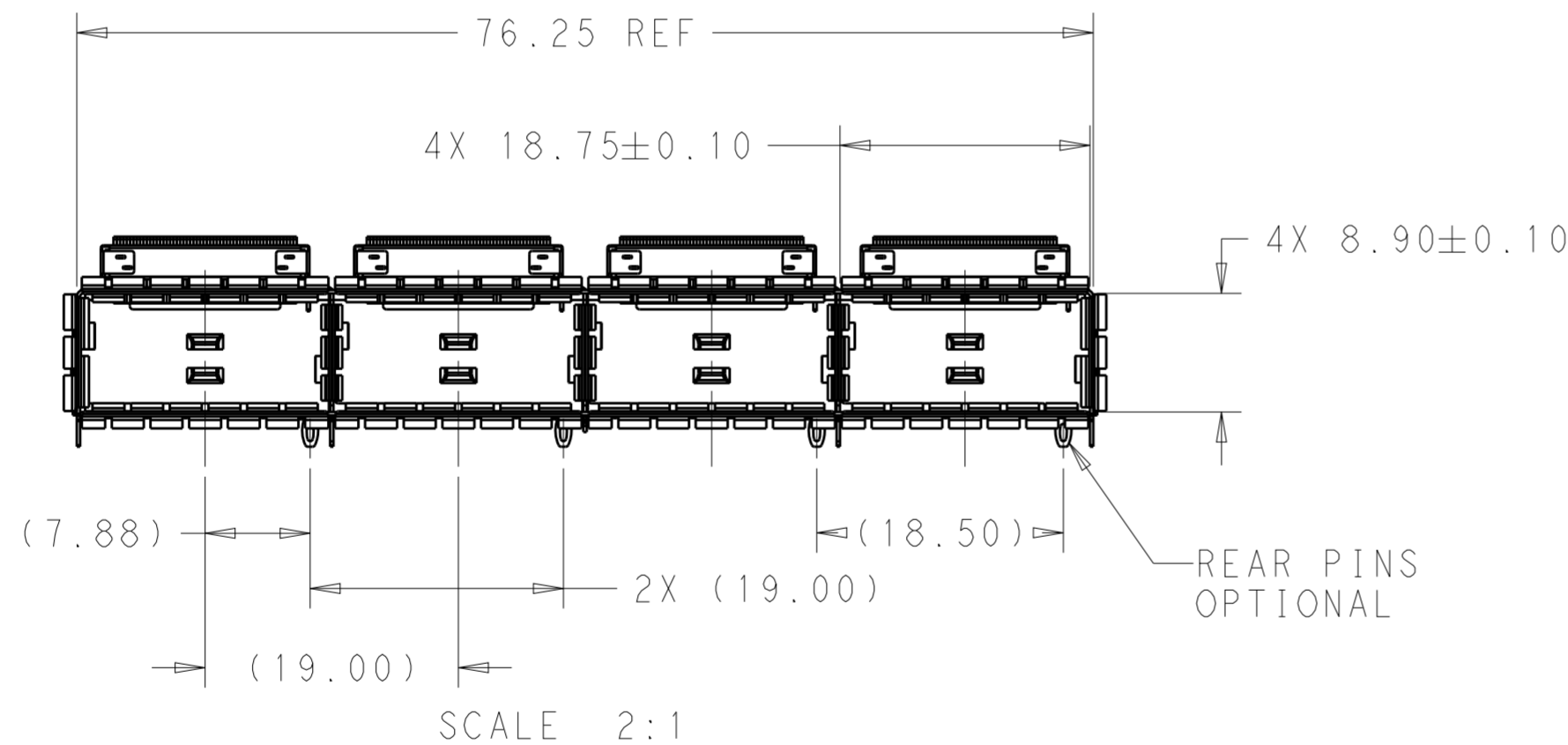


THIS DRAWING IS UNPUBLISHED. RELEASED FOR PUBLICATION 20
 © COPYRIGHT 20 BY - ALL RIGHTS RESERVED.

REVISIONS				
P	LTR	DESCRIPTION	DATE	APVD
A		INITIAL RELEASE	05JUN2020	VL SH
A1		REMOVE NOTE 10	30JUN2020	VL SH



- COMPONENTS
 CAGE ASSEMBLY: NICKEL-SILVER ALLOY
 EMI SPRING: COPPER ALLOY / NICKEL PLATING
 THERMAL BRIDGE: COPPER ALLOY / NICKEL PLATING
- REFERENCE APPLICATION SPECIFICATION 114-32023 FOR RECOMMENDED DRILL HOLE DIAMETER AND PLATING THICKNESS
- DATUM AND BASIC DIMENSION ESTABLISHED BY CUSTOMER
- DATE CODE (YYWWD) MARKED APPROXIMATELY AS SHOWN.
- MATES WITH QSFP28 MSA COMPATIBLE TRANSCEIVER.
- MINIMUM PC BOARD THICKNESS: SINGLE SIDED: 1.57 MIN
 DOUBLE SIDED: 2.20 MIN
- DATUM **-A-** IS TOP SURFACE OF THE HOST BOARD.
- THESE HOLES ARE OPTIONAL WHEN THE REAR PINS ARE REMOVED.
- RECOMMENDED STANDOFF HEIGHT FOR COLD PLATE:
 OPTION 1: 13.50 +/-0.20 MM WITH THERMAL GREASE, THERMAL GREASE THICKNESS: 0.10 +/-0.05MM.
 OPTION 2: 13.40 +/-0.20 MM, WITHOUT THERMAL GREASE.

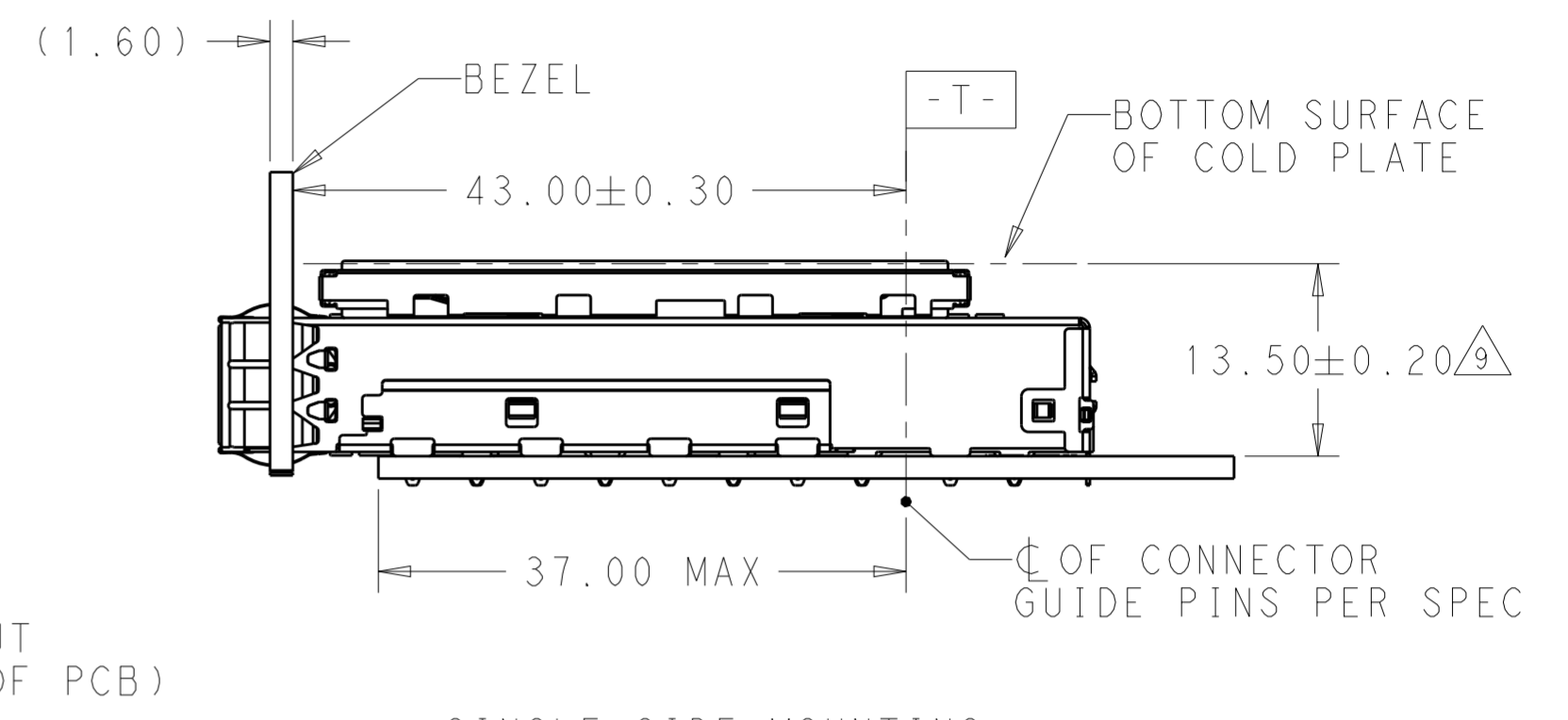
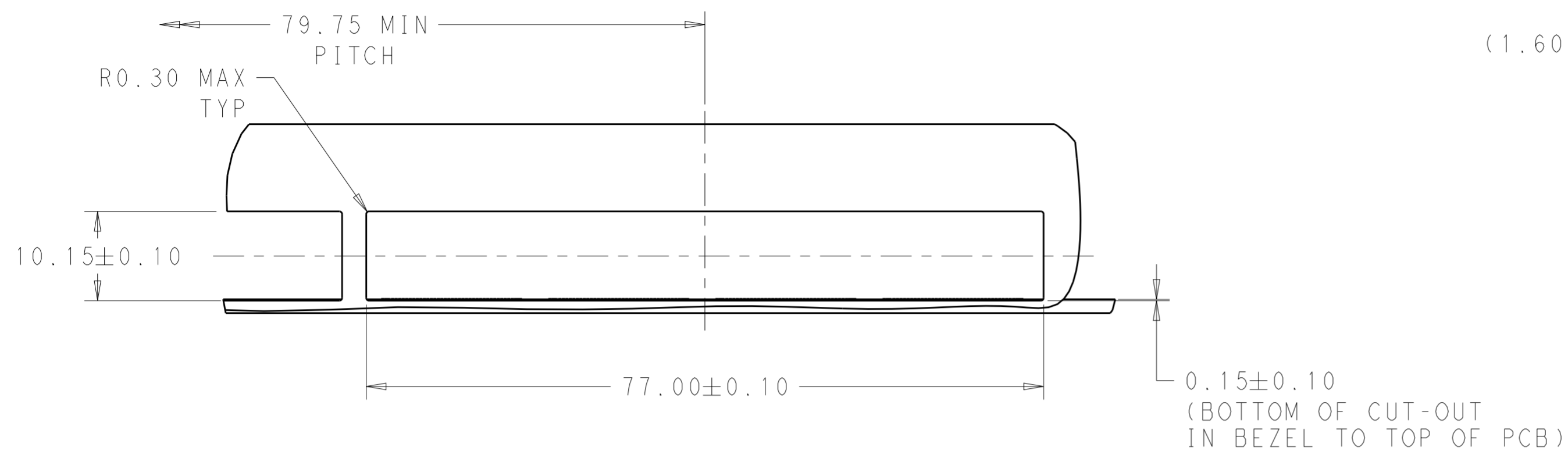


THERMAL BRIDGE	2354935-1
HEAT SINK	PART NUMBER

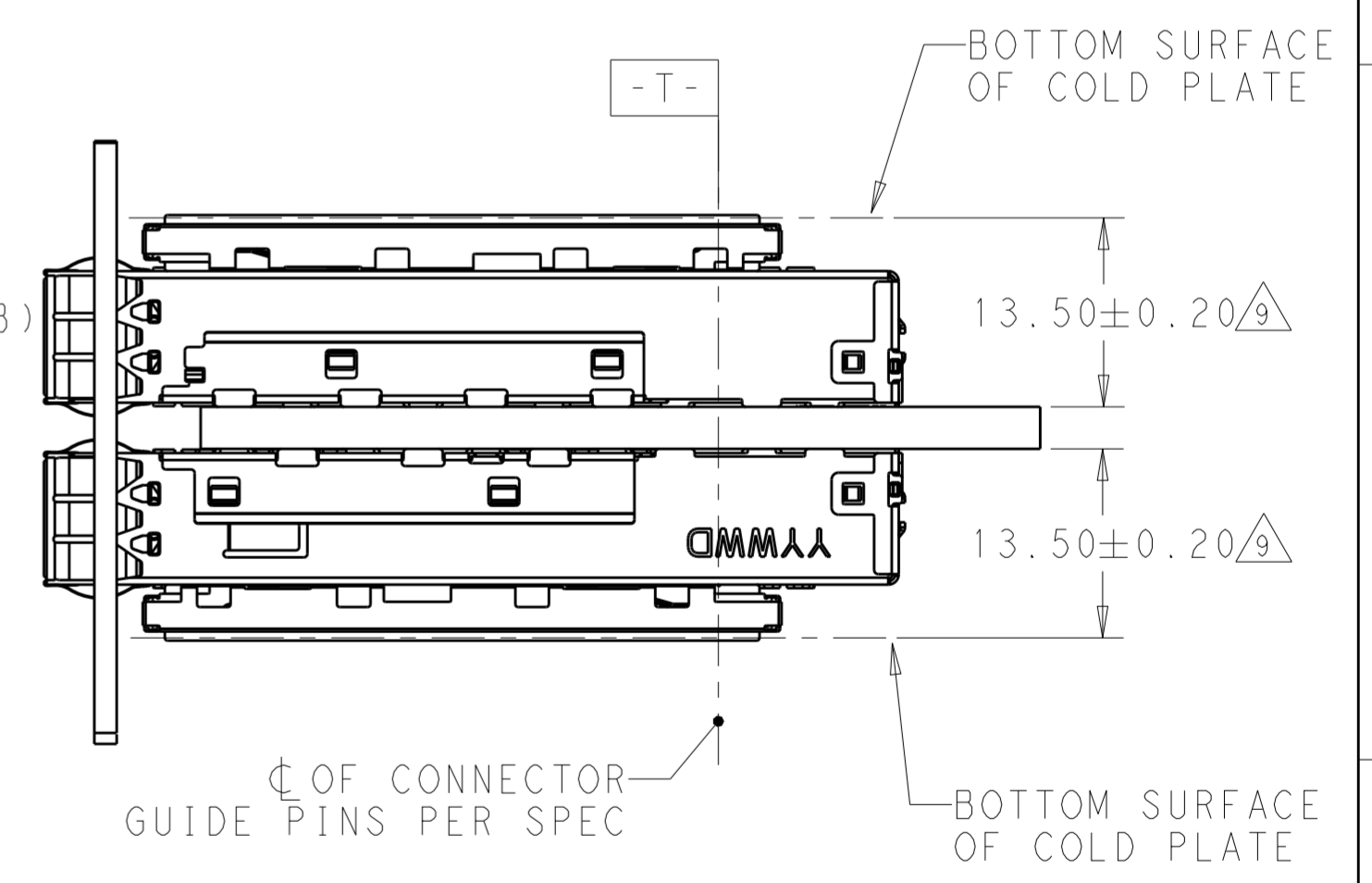
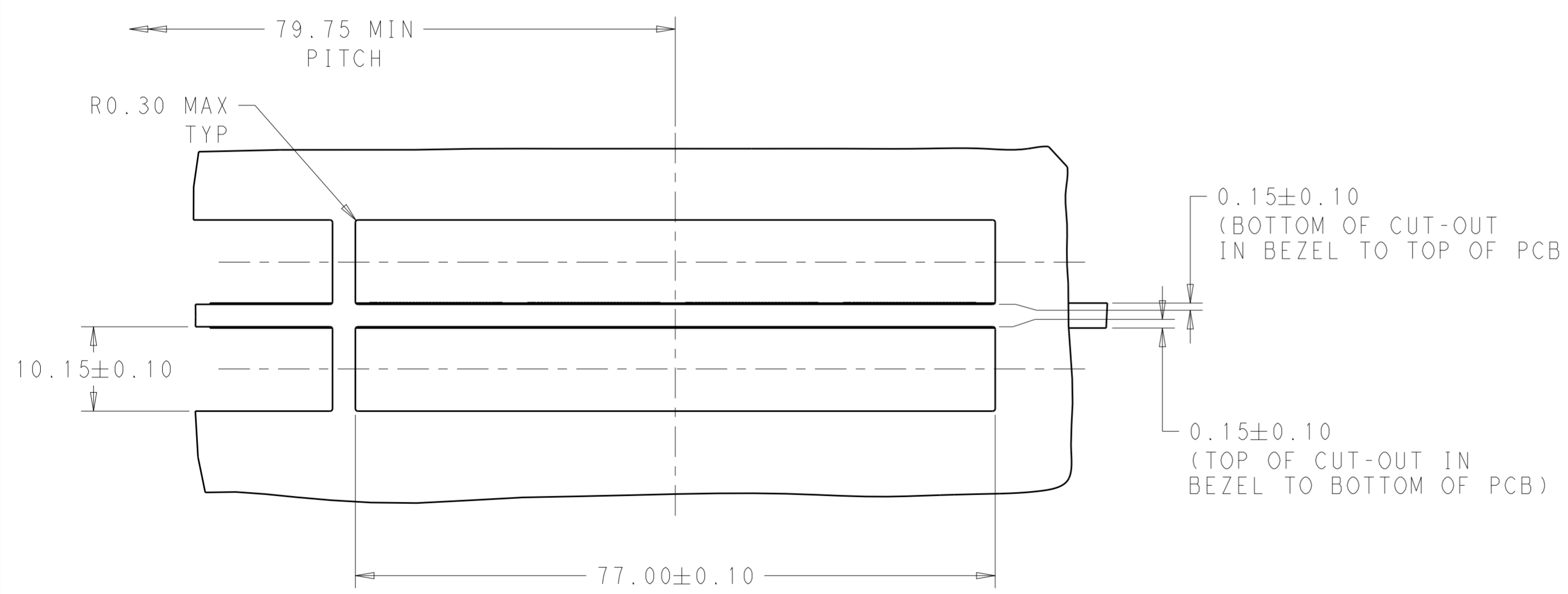
THIS DRAWING IS A CONTROLLED DOCUMENT.		DWN LEO LI 25APR2019	TE Connectivity	
DIMENSIONS: mm		CHK SEAN HAN 25APR2019	RECEPTACLE CAGE ASSEMBLY THRU BEZEL, 1X4, QSFP28, TB	
TOLERANCES UNLESS OTHERWISE SPECIFIED:		APVD SEAN HAN 25APR2019	108-19428/108-130042	
0 PLC ±	1 PLC ±0.25	PRODUCT SPEC	114-130017	
2 PLC ±0.2	3 PLC ±	APPLICATION SPEC	114-130017	
4 PLC ±	ANGLES ±	WEIGHT	-	
FINISH		CUSTOMER DRAWING		
MATERIAL SEE NOTES		SIZE CAGE CODE DRAWING NO		RESTRICTED TO
SEE NOTES		A200779 C-2354935		-
		SCALE 1:1	SHEET 1 OF 6	REV A1

THIS DRAWING IS UNPUBLISHED. RELEASED FOR PUBLICATION 20
 © COPYRIGHT 20 BY - ALL RIGHTS RESERVED.

REVISIONS				
P	LTR	DESCRIPTION	DATE	APVD
-		SEE SHEET 1	-	-



SINGLE SIDE MOUNTING
SCALE 2:1

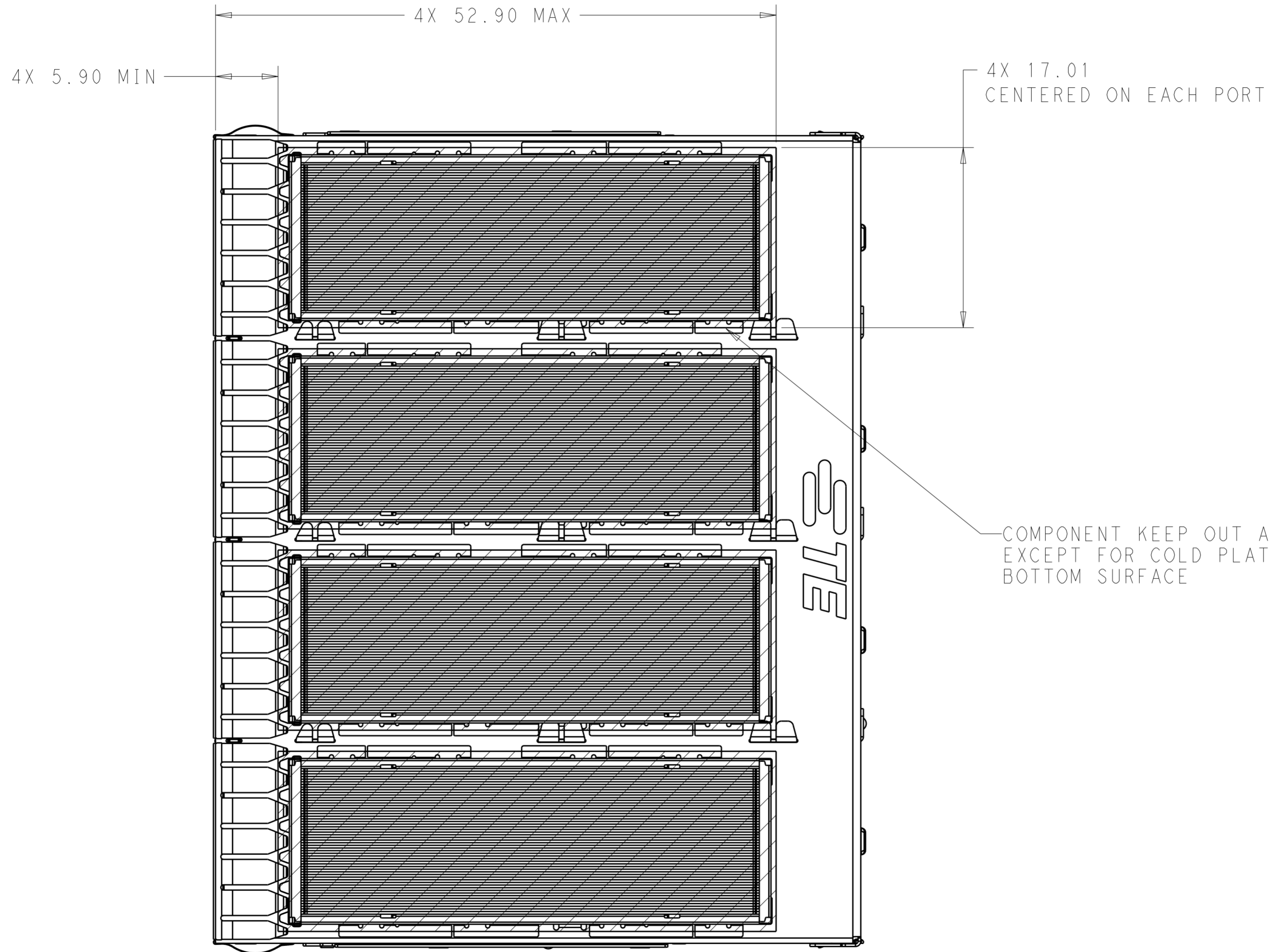


BELLY TO BELLY MOUNTING
SCALE 2:1

THIS DRAWING IS A CONTROLLED DOCUMENT.		DWN LEO LI 25APR2019	STE TE Connectivity	
		CHK SEAN HAN 25APR2019		
DIMENSIONS: mm		APVD SEAN HAN 25APR2019	NAME RECEPTACLE CAGE ASSEMBLY THRU BEZEL, 1X4, QSFP28, TB	
TOLERANCES UNLESS OTHERWISE SPECIFIED: 0 PLC ± 1 PLC ±0.25 2 PLC ±0.2 3 PLC ± 4 PLC ± ANGLES ± FINISH		PRODUCT SPEC 108-19428/108-130042	SIZE 114-130017	DRAWING NO A200779
MATERIAL SEE NOTES		APPLICATION SPEC 114-130017	WEIGHT -	RESTRICTED TO -
		CUSTOMER DRAWING	SCALE 1:1	SHEET 2 OF 6
				REV A1

THIS DRAWING IS UNPUBLISHED. RELEASED FOR PUBLICATION 20
 © COPYRIGHT 20 BY - ALL RIGHTS RESERVED.

REVISIONS				
P	LTR	DESCRIPTION	DATE	APVD
-		SEE SHEET 1	-	-



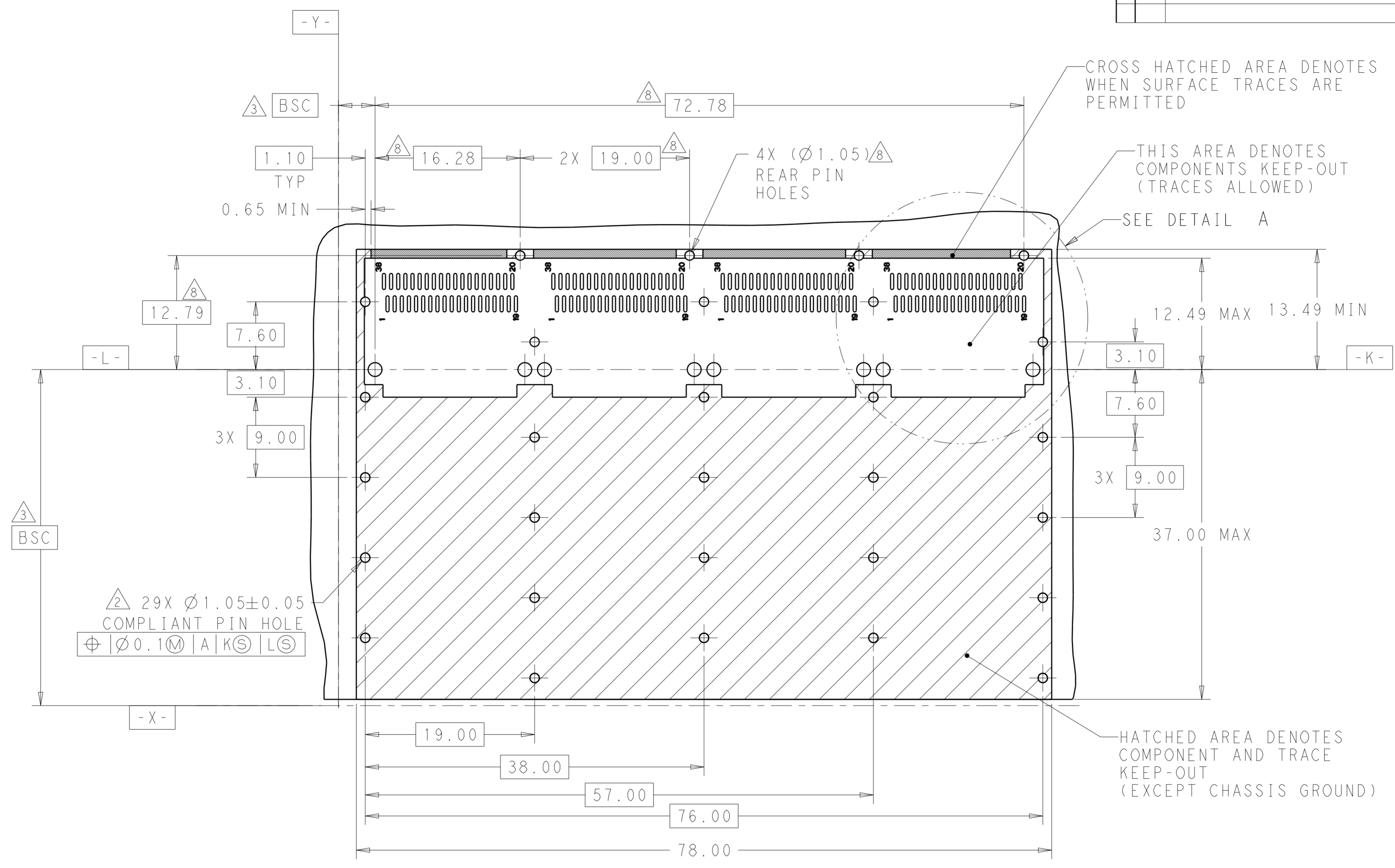
COMPONENT KEEP OUT AREA FOR THERMAL BRIDGE

SCALE 3:1

THIS DRAWING IS A CONTROLLED DOCUMENT.		DWN LEO LI 25APR2019	STE TE Connectivity	
		CHK SEAN HAN 25APR2019		
		APVD SEAN HAN 25APR2019	NAME RECEPTACLE CAGE ASSEMBLY THRU BEZEL, 1X4, QSFP28, TB	
DIMENSIONS: mm		PRODUCT SPEC 108-19428/108-130042		RESTRICTED TO -
TOLERANCES UNLESS OTHERWISE SPECIFIED:		APPLICATION SPEC 114-130017		SIZE A2
0 PLC ±-		WEIGHT -		CAGE CODE 00779
1 PLC ±0.25		CUSTOMER DRAWING		DRAWING NO C-2354935
2 PLC ±0.2		SCALE 1:1		SHEET 3 OF 6
3 PLC ±-				REV A1
4 PLC ±-				
ANGLES ±-				
FINISH				
MATERIAL SEE NOTES				
SEE NOTES				

THIS DRAWING IS UNPUBLISHED. RELEASED FOR PUBLICATION 20
 © COPYRIGHT 20 BY - ALL RIGHTS RESERVED.

REVISIONS					
P	LTR	DESCRIPTION	DATE	DWN	APVD
-	-	SEE SHEET 1	-	-	-



CROSS HATCHED AREA DENOTES WHEN SURFACE TRACES ARE PERMITTED

THIS AREA DENOTES COMPONENTS KEEP-OUT (TRACES ALLOWED)

SEE DETAIL A

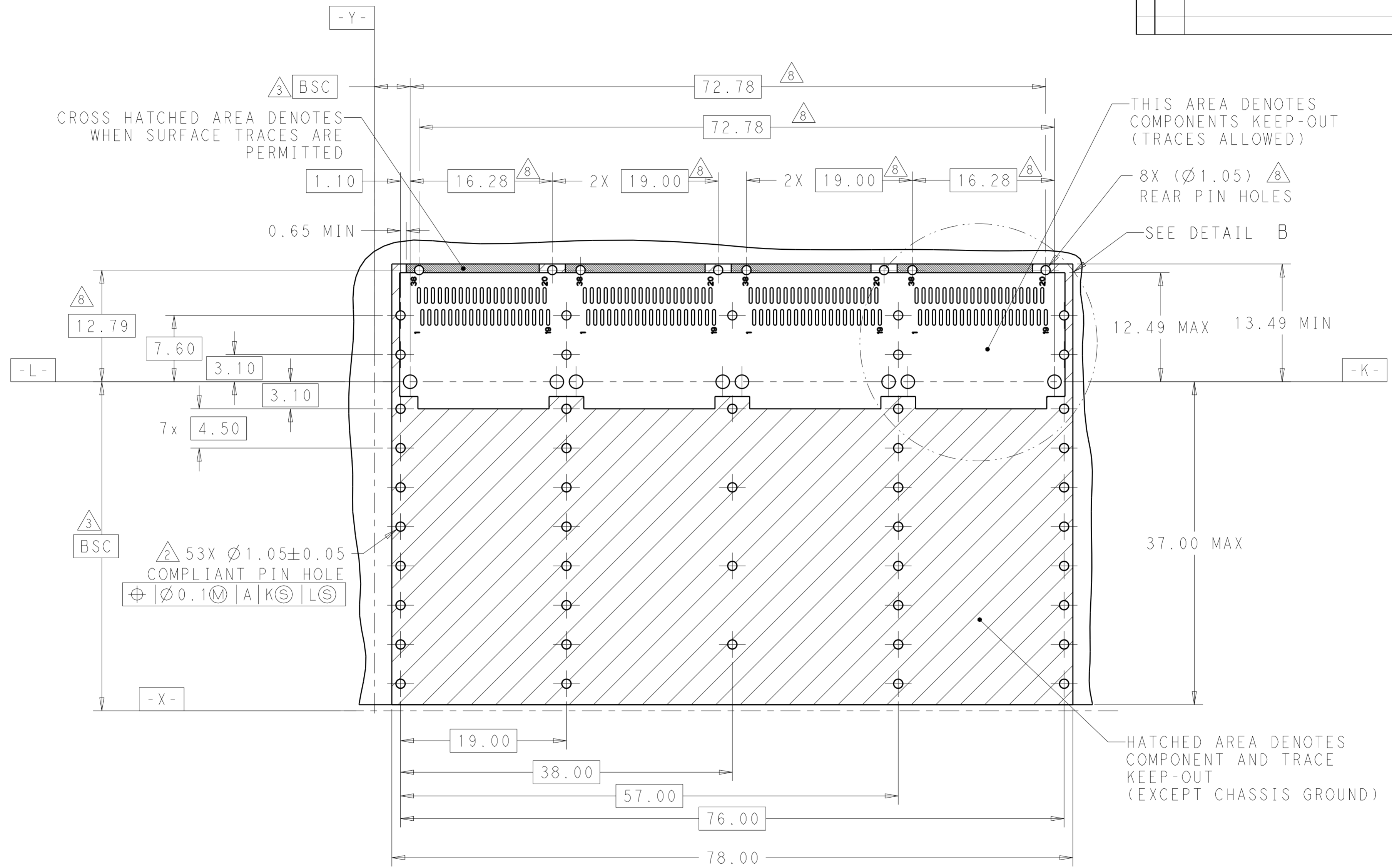
HATCHED AREA DENOTES COMPONENT AND TRACE KEEP-OUT (EXCEPT CHASSIS GROUND)

RECOMMENDED PCB LAYOUT
 SINGLE TYPE
 PCB TOLERANCE: ±0.05
 SCALE 3:1

THIS DRAWING IS A CONTROLLED DOCUMENT.		DWN LEO LI 25APR2019	TE Connectivity	
DIMENSIONS: mm		CHK SEAN HAN 25APR2019		
TOLERANCES UNLESS OTHERWISE SPECIFIED:		APVD SEAN HAN 25APR2019	NAME RECEPTACLE CAGE ASSEMBLY THRU BEZEL, 1X4, QSFP28, TB	
0 PLC ±-		PRODUCT SPEC 108-19428/108-130042	SIZE CAGE CODE DRAWING NO RESTRICTED TO	
1 PLC ±0.25		APPLICATION SPEC 114-130017	A200779 C-2354935	
2 PLC ±0.2		WEIGHT -	SCALE 1:1 SHEET 4 OF 6 REV A1	
3 PLC ±-		CUSTOMER DRAWING		
4 PLC ±-				
ANGLES ±-				
FINISH SEE NOTES				

THIS DRAWING IS UNPUBLISHED. RELEASED FOR PUBLICATION 20
 © COPYRIGHT 20 BY - ALL RIGHTS RESERVED.

REVISIONS				
P	LTR	DESCRIPTION	DATE	APVD
-	-	SEE SHEET 1	-	-

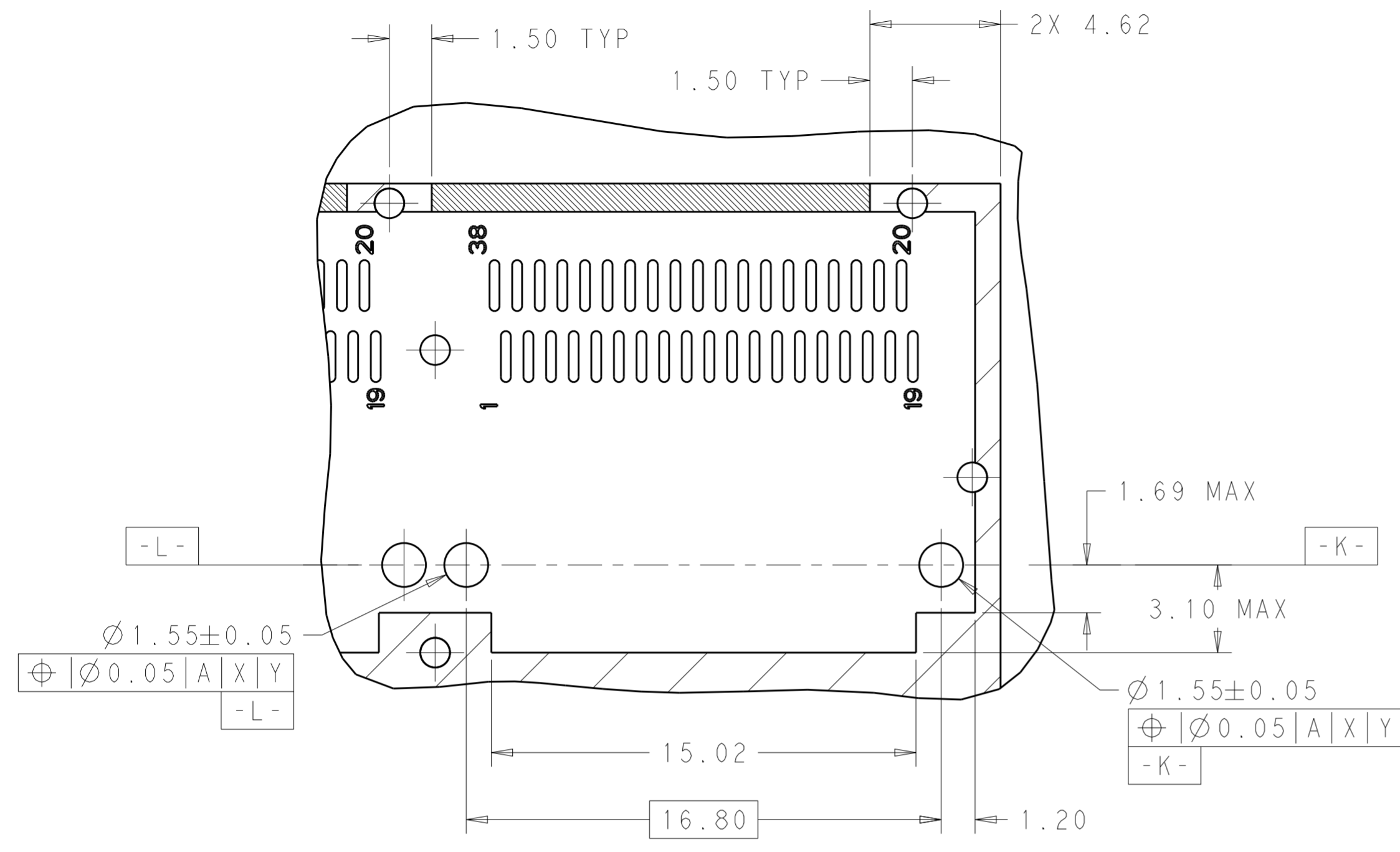


RECOMMENDED PCB LAYOUT
 BELLY TO BELLY TYPE
 PCB TOLERANCE: ±0.05
 SCALE 3:1

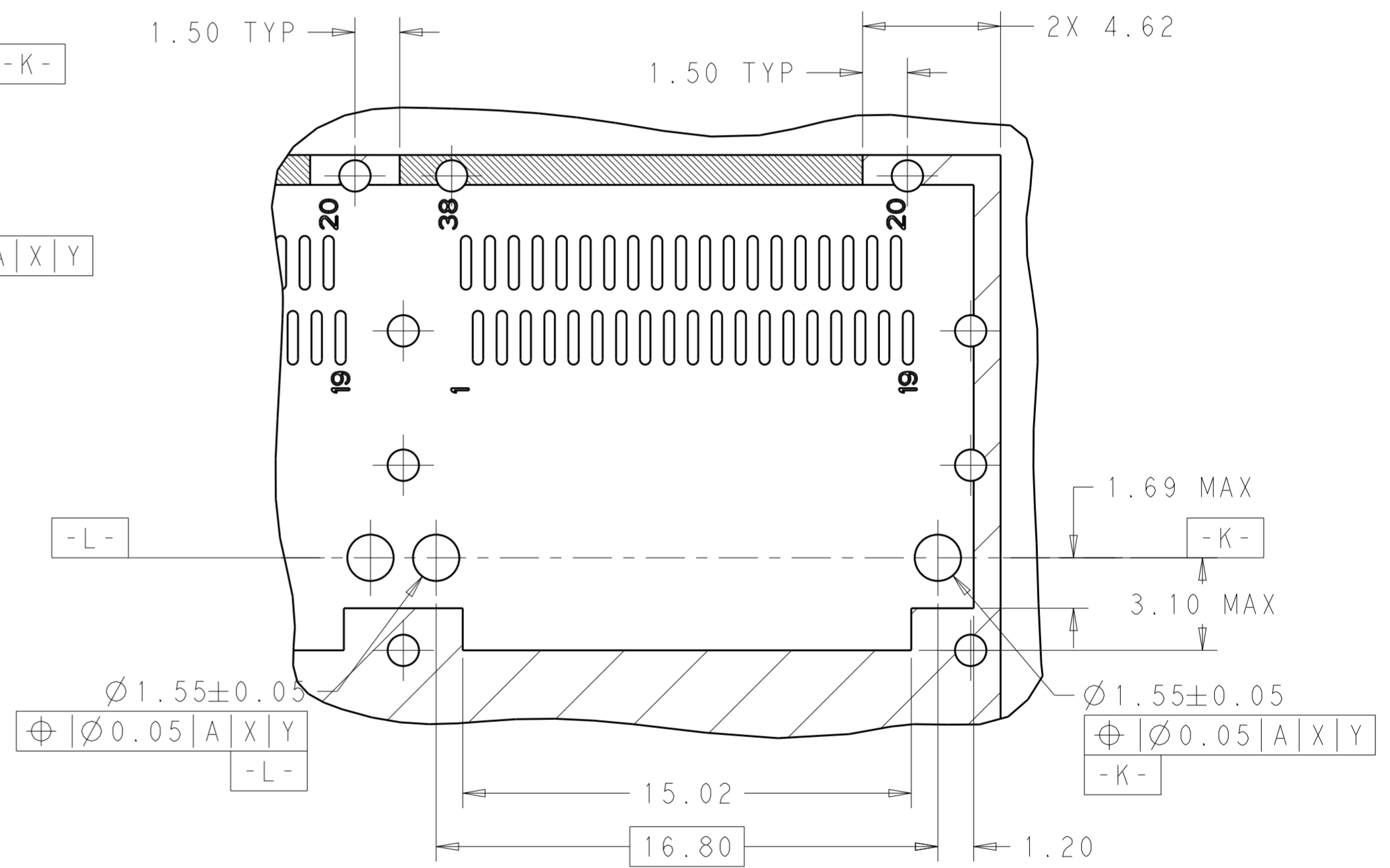
THIS DRAWING IS A CONTROLLED DOCUMENT.		DWN LEO LI 25APR2019	TE Connectivity	
DIMENSIONS: mm		CHK SEAN HAN 25APR2019		
TOLERANCES UNLESS OTHERWISE SPECIFIED:		APVD SEAN HAN 25APR2019	NAME RECEPTACLE CAGE ASSEMBLY THRU BEZEL, 1X4, QSFP28, TB	
0 PLC ± 1 PLC ±0.25 2 PLC ±0.2 3 PLC ± 4 PLC ±		PRODUCT SPEC 108-19428/108-130042	RESTRICTED TO	
ANGLES ±		APPLICATION SPEC 114-130017	SIZE A200779	CAGE CODE C-2354935
FINISH SEE NOTES		WEIGHT -	DRAWING NO C-2354935	SCALE 1:1
MATERIAL SEE NOTES		CUSTOMER DRAWING	SHEET 5 OF 6	REV A1

THIS DRAWING IS UNPUBLISHED. RELEASED FOR PUBLICATION 20
 © COPYRIGHT 20 BY - ALL RIGHTS RESERVED.

REVISIONS				
P	LTR	DESCRIPTION	DATE	APVD
-	-	SEE SHEET 1	-	-



DETAIL A
SCALE 6:1



DETAIL B
SCALE 6:1

THIS DRAWING IS A CONTROLLED DOCUMENT.		DWN LEO LI 25APR2019	TE Connectivity	
DIMENSIONS: mm		CHK SEAN HAN 25APR2019		
TOLERANCES UNLESS OTHERWISE SPECIFIED:		APVD SEAN HAN 25APR2019	NAME RECEPTACLE CAGE ASSEMBLY THRU BEZEL, 1X4, QSFP28, TB	
0 PLC ±	1 PLC ±0.25	PRODUCT SPEC 108-19428/108-130042	SIZE 114-130017	RESTRICTED TO
2 PLC ±0.2	3 PLC ±	APPLICATION SPEC 114-130017	WEIGHT -	SIZE CAGE CODE DRAWING NO A200779 C-2354935
4 PLC ±	ANGLES ±	MATERIAL SEE NOTES	FINISH SEE NOTES	SCALE 1:1 SHEET 6 OF 6 REV A1
MATERIAL SEE NOTES		CUSTOMER DRAWING		

X-ON Electronics

Largest Supplier of Electrical and Electronic Components

Click to view similar products for [I/O Connectors](#) category:

Click to view products by [TE Connectivity](#) manufacturer:

Other Similar products are found below :

[571763P](#) [72.250.1628.2](#) [72.250.2428.2](#) [74720-0505](#) [76.350.0729.0](#) [76871-1403](#) [FCN-244F080-G/1](#) [FCN-260A9920](#) [MP-5T180MUNNA-005](#)
[PCR-E36PM](#) [PCS-XE26MA+](#) [G38A71314B](#) [1571250010](#) [157-22500-3](#) [MS3471L14-19P L/C](#) [91-569786-35H](#) [172501-4002](#) [172501-6002](#)
[FCN-260C008-A/L0](#) [FCN-260C024-AL0](#) [FCN-261Z008](#) [2000314-1](#) [200331-1](#) [PCR-E36FC+](#) [PCS-E28FS+](#) [PCS-XE26SLFD+](#) [PCS-](#)
[XE26SLFDT+](#) [G730VID08BDC24](#) [U90B2054081210](#) [UE86K842720321](#) [38113800006](#) [DP3AR020WQ1R200](#) [Z4.102.0680.0](#) [500-1040](#)
[500-1052](#) [500-1054](#) [ZP-4008-66L](#) [0709821002](#) [10-565995-597N](#) [DX40-20P\(55\)](#) [5554841-1](#) [MS3474W18-8P-LC*](#) [U90B3054061110](#) [U65-](#)
[E04-4020](#) [ZPF000000000097891](#) [557-262M2-06C](#) [747360449](#) [10099439-003C-TRLF](#) [10137239-0021LF](#) [E9320-001-01](#)