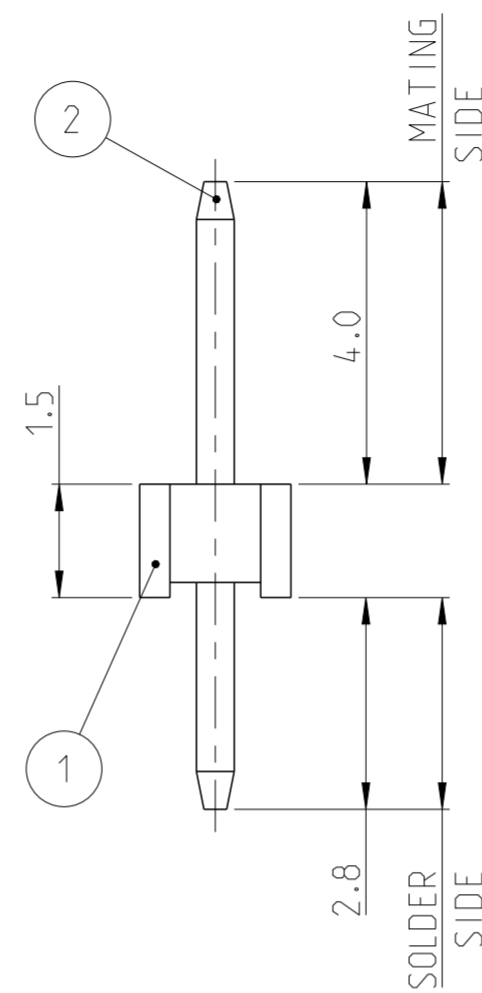
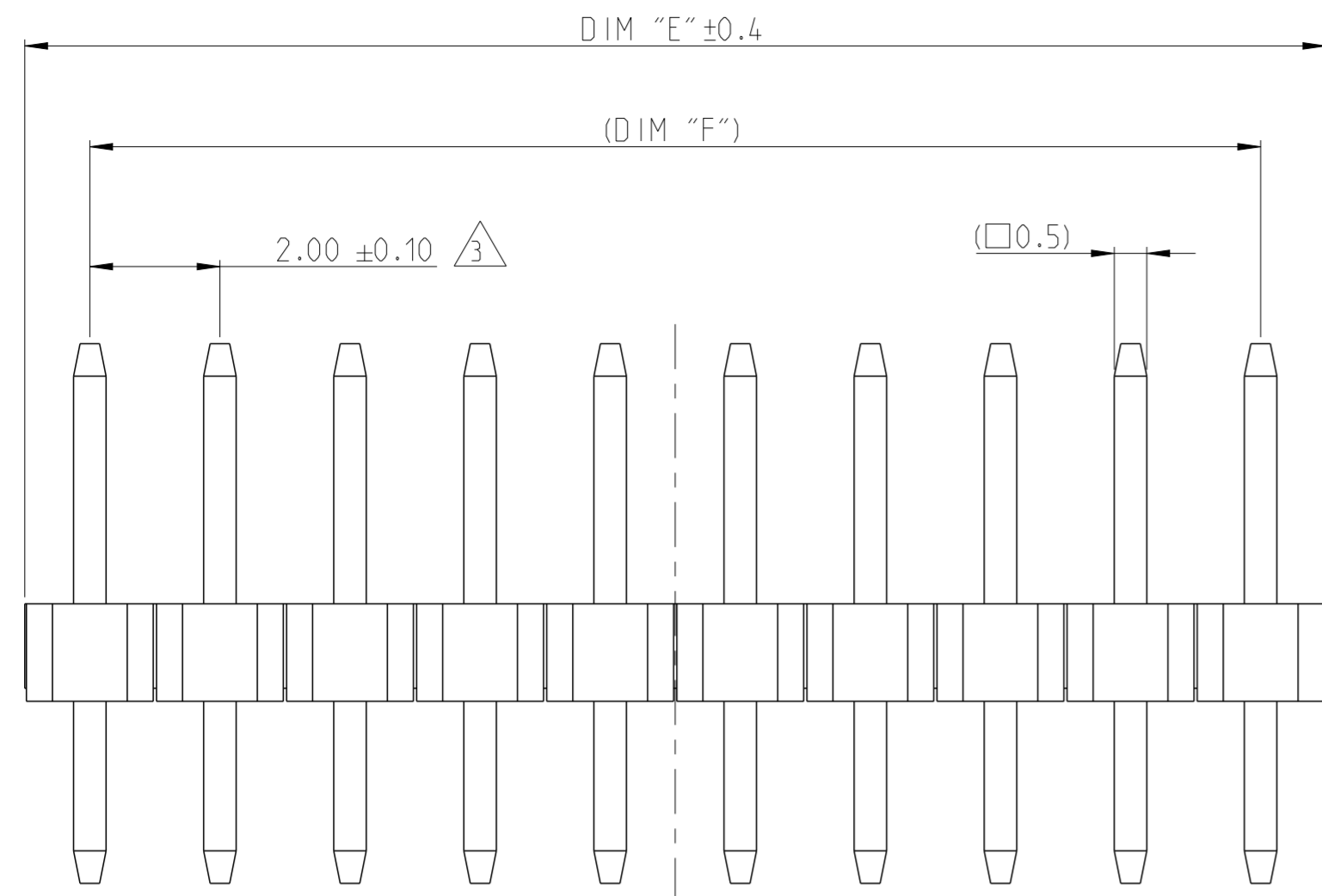
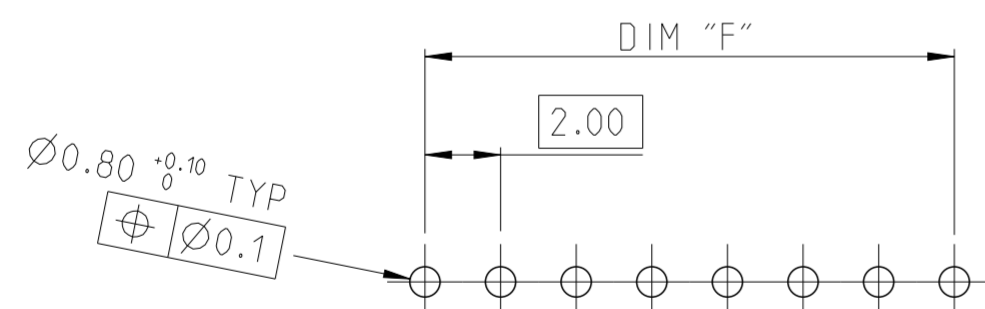
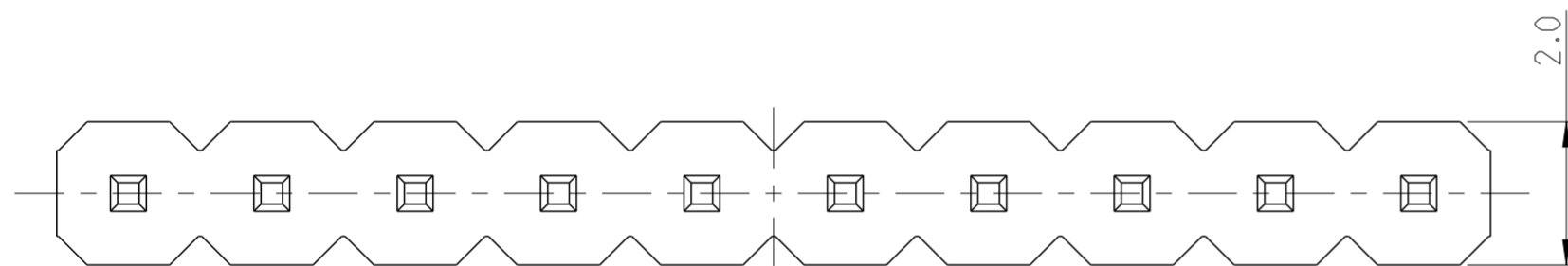


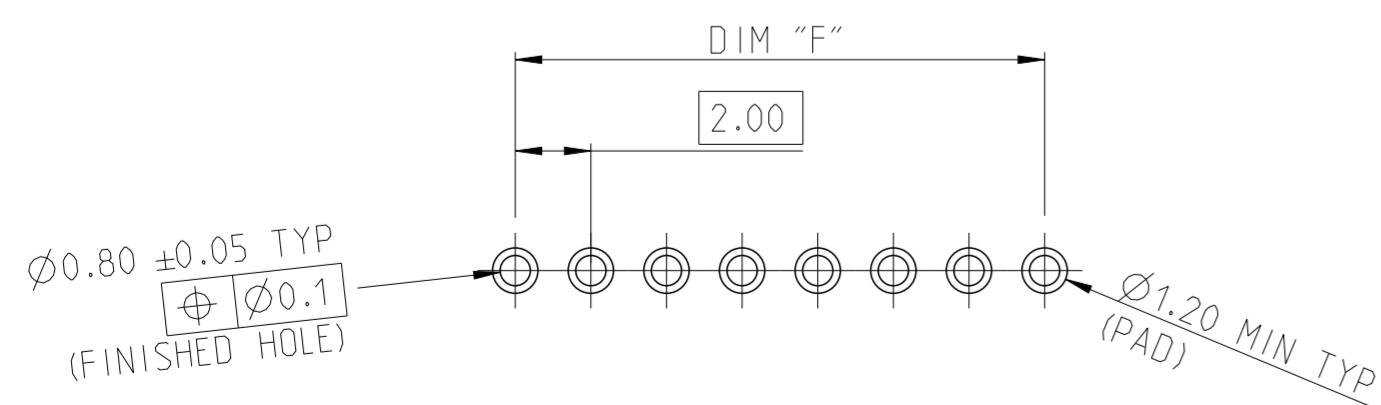
P	LTR	DESCRIPTION	DATE	DWN	APVD
A		RELEASE TO PRODUCTION	26AUG2019	AY	PS
A1		REMOVED TOLERANCE FROM DIM F	17DEC2019	AY	PS



- NOTES:
- MATERIAL
HOUSING : HIGH TEMPERATURE THERMOPLASTIC, UL94-V0; COLOR- BLACK
POST : COPPER ALLOY
FINISH :
MATING SIDE: MIN. 0.1µm GOLD OVER NICKEL UNDER PLATING
SOLDER SIDE: MIN. 2.0µm BRIGHT TIN OVER NICKEL UNDER PLATING
 - PACKAGING: TUBE.
 - TOLERANCE NOT CUMULATIVE.
 - CUTTING BURR MAX. 0.25 mm.

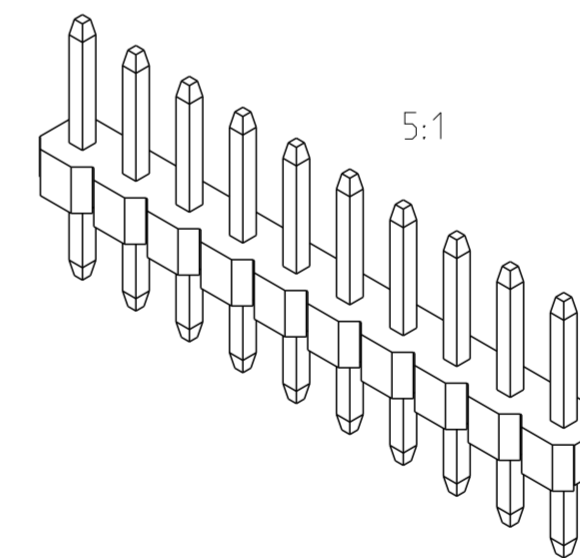


RECOMMENDED PCB HOLE PATTERN FOR THROUGH HOLE WAVE



RECOMMENDED PCB HOLE PATTERN FOR THROUGH HOLE REFLOW / PIN-IN-PASTE

1-2355045-0 AS SHOWN



48.0	50.0	25	2-2355045-5
46.0	48.0	24	2-2355045-4
44.0	46.0	23	2-2355045-3
42.0	44.0	22	2-2355045-2
40.0	42.0	21	2-2355045-1
38.0	40.0	20	2-2355045-0
36.0	38.0	19	1-2355045-9
34.0	36.0	18	1-2355045-8
32.0	34.0	17	1-2355045-7
30.0	32.0	16	1-2355045-6
28.0	30.0	15	1-2355045-5
26.0	28.0	14	1-2355045-4
24.0	26.0	13	1-2355045-3
22.0	24.0	12	1-2355045-2
20.0	22.0	11	1-2355045-1
18.0	20.0	10	1-2355045-0
16.0	18.0	9	2355045-9
14.0	16.0	8	2355045-8
12.0	14.0	7	2355045-7
10.0	12.0	6	2355045-6
8.0	10.0	5	2355045-5
6.0	8.0	4	2355045-4
4.0	6.0	3	2355045-3
2.0	4.0	2	2355045-2
DIM "F"	DIM "E"	POS	TE PN

THIS DRAWING IS A CONTROLLED DOCUMENT.

DWN 09APR2019
RAGHAVENDRA.K
CHK 14AUG2019
KARTHIK.JK
APVD 16AUG2019
PRASHANTH

STE TE Connectivity
NAME AMPMODU 2mm BREAKAWAY HEADER, SINGLE ROW, VERTICAL, Au FLASH, TUBE

DIMENSIONS: mm
TOLERANCES UNLESS OTHERWISE SPECIFIED:
0 PLC ±
1 PLC ±0.2
2 PLC ±0.15
3 PLC ±
4 PLC ±
ANGLES ±2°
FINISH

PRODUCT SPEC 108-64040
APPLICATION SPEC 114-32259
WEIGHT -

SIZE A2 CAGE CODE 100779 DRAWING NO. C-2355045 RESTRICTED TO -

CONTACT PIN	2
HOUSING	1
DESCRIPTION	ITEM NO

MATERIAL SEE NOTES
FINISH SEE NOTES

CUSTOMER DRAWING SCALE 10:1 SHEET 1 OF 1 REV A1

X-ON Electronics

Largest Supplier of Electrical and Electronic Components

Click to view similar products for [Pluggable Terminal Blocks](#) category:

Click to view products by [TE Connectivity](#) manufacturer:

Other Similar products are found below :

[57.510.0053](#) [721-104/026-047](#) [721-204/026-045](#) [MC 1.5/ 6-ST-3.5 GY AU](#) [ET02015000J0G](#) [860505](#) [860516](#) [860810](#) [GBPACX-12](#)
[93.731.4953.0](#) [PVP03-3,50](#) [PVS02-5,00](#) [1-1986160-3](#) [1377680000](#) [1531000000](#) [1546228-5](#) [ELFP03110](#) [ELFP10210](#) [ELFT07250](#)
[ELVD12100](#) [ELVF09400](#) [ELXH071G0E](#) [1725220000](#) [1760336](#) [1855000000](#) [19346](#) [1946309](#) [1973592](#) [19892](#) [25.320.4053.1](#) [25.320.4553.9](#)
[25.320.4753.1](#) [25.320.5453.1](#) [25.340.0353.1](#) [25.340.1053.1](#) [25.345.3553.0M001](#) [25.640.3553.1](#) [SH02-5,08](#) [SH06-3,81](#) [SH08-5,08](#) [SH08-](#)
[5,08-K](#) [SH12-5,08](#) [SHS04-5,00](#) [30.303](#) [30.305](#) [30.306](#) [PHP09-5,08](#) [25.193.0453.0](#) [25.320.4653.1](#) [25.332.2453.1](#)