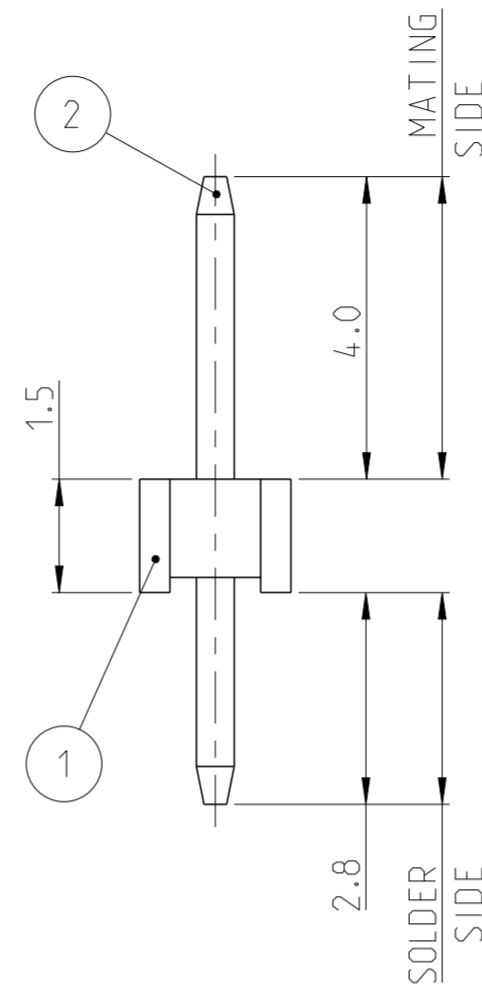
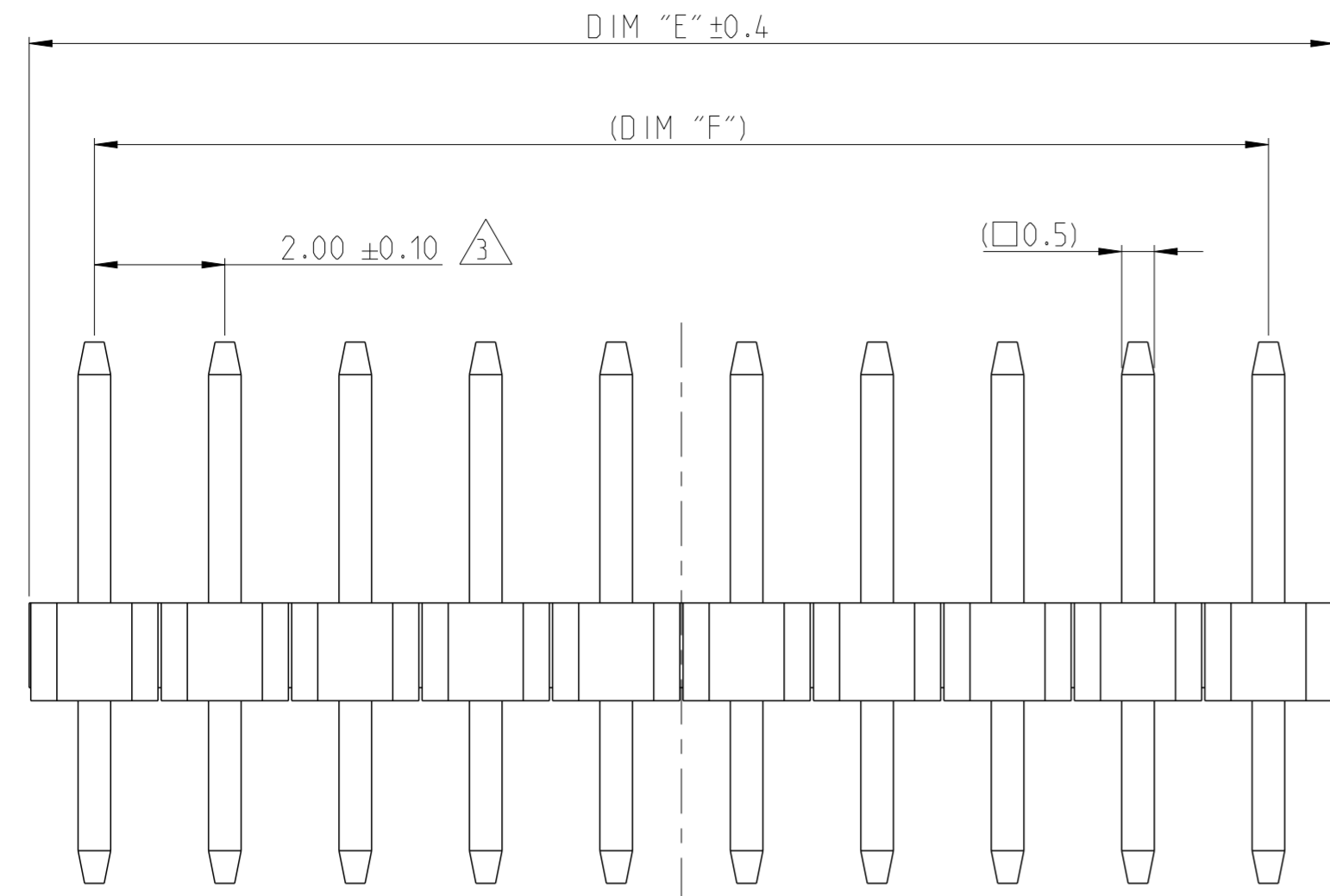
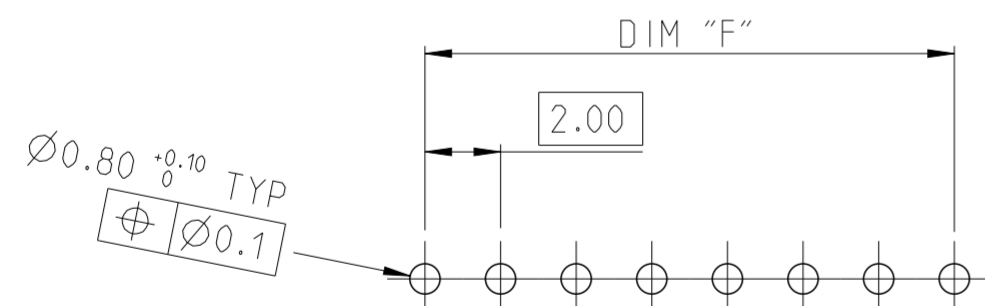
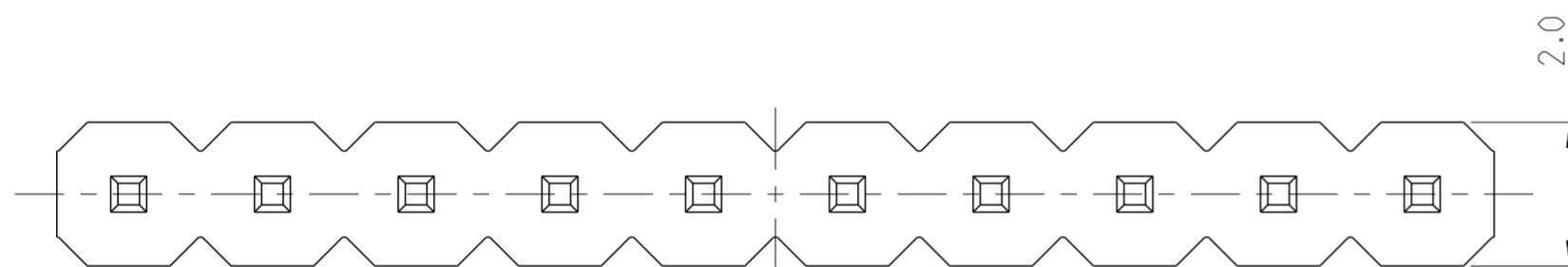


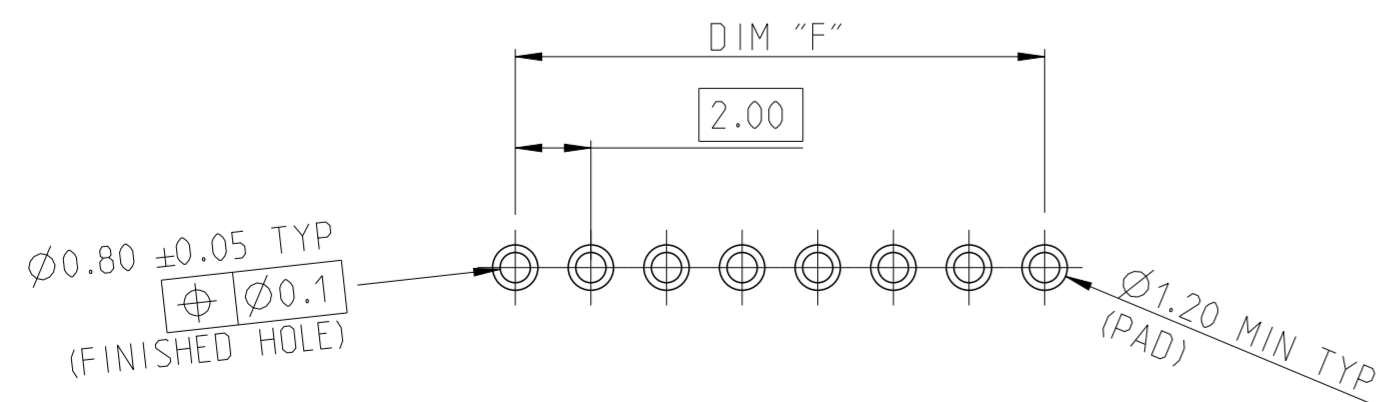
P	LTR	DESCRIPTION	DATE	DWN	APVD
A		RELEASE TO PRODUCTION	26AUG2019	AY	PS
A1		REMOVED TOLERANCE FROM DIM F	17DEC2019	AY	PS



- NOTES:
- MATERIAL  
HOUSING : HIGH TEMPERATURE THERMOPLASTIC, UL94-V0; COLOR- BLACK  
POST : COPPER ALLOY  
FINISH :  
MATING SIDE: MIN. 0.1µm GOLD OVER NICKEL UNDER PLATING  
SOLDER SIDE: MIN. 2.0µm BRIGHT TIN OVER NICKEL UNDER PLATING
  - PACKAGING: TUBE.
  - TOLERANCE NOT CUMULATIVE.
  - CUTTING BURR MAX. 0.25 mm.

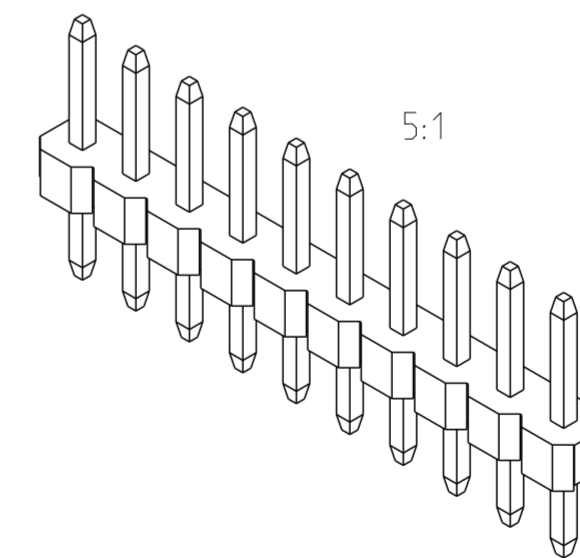


RECOMMENDED PCB HOLE PATTERN FOR THROUGH HOLE WAVE



RECOMMENDED PCB HOLE PATTERN FOR THROUGH HOLE REFLOW / PIN-IN-PASTE

1-2355045-0 AS SHOWN



48.0	50.0	25	2-2355045-5
46.0	48.0	24	2-2355045-4
44.0	46.0	23	2-2355045-3
42.0	44.0	22	2-2355045-2
40.0	42.0	21	2-2355045-1
38.0	40.0	20	2-2355045-0
36.0	38.0	19	1-2355045-9
34.0	36.0	18	1-2355045-8
32.0	34.0	17	1-2355045-7
30.0	32.0	16	1-2355045-6
28.0	30.0	15	1-2355045-5
26.0	28.0	14	1-2355045-4
24.0	26.0	13	1-2355045-3
22.0	24.0	12	1-2355045-2
20.0	22.0	11	1-2355045-1
18.0	20.0	10	1-2355045-0
16.0	18.0	9	2355045-9
14.0	16.0	8	2355045-8
12.0	14.0	7	2355045-7
10.0	12.0	6	2355045-6
8.0	10.0	5	2355045-5
6.0	8.0	4	2355045-4
4.0	6.0	3	2355045-3
2.0	4.0	2	2355045-2
DIM "F"	DIM "E"	POS	TE PN

THIS DRAWING IS A CONTROLLED DOCUMENT.

DIMENSIONS:  
mm

TOLERANCES UNLESS OTHERWISE SPECIFIED:

- 0 PLC ±
- 1 PLC ±0.2
- 2 PLC ±0.15
- 3 PLC ±
- 4 PLC ±
- ANGLES ±2°
- FINISH

MATERIAL  
SEE NOTES

SEE NOTES

DWN	09APR2019
CHK	14AUG2019
APVD	16AUG2019
PRODUCT SPEC	108-64040
APPLICATION SPEC	114-32259
WEIGHT	-
CUSTOMER DRAWING	

RAGHAVENDRA K		TE Connectivity	
KARTHIK JK		AMPMODU 2mm BREAKAWAY HEADER, SINGLE ROW, VERTICAL, Au FLASH, TUBE	
PRASHANTH		SIZE	CAGE CODE
108-64040		A2	100779
114-32259		DRAWING NO	C-2355045
-		RESTRICTED TO	-
-		SCALE	10:1
-		SHEET	1 OF 1
-		REV	A1

## X-ON Electronics

Largest Supplier of Electrical and Electronic Components

*Click to view similar products for [Headers & Wire Housings](#) category:*

*Click to view products by [TE Connectivity](#) manufacturer:*

Other Similar products are found below :

[892-18-020-10-001101](#) [58102-G61-06LF](#) [582553-1](#) [0009485154](#) [009176003701906](#) [0050291907](#) [LY20-4P-DT1-P1E-BR](#) [02.125.8002.8](#)  
[609-3404](#) [61062-3](#) [61082-181009](#) [622-3653LF](#) [63453-116](#) [636-1030](#) [636-1427](#) [636-3427](#) [636-4007](#) [641938-9](#) [641991-4](#) [644827-2](#) [65817-](#)  
[010LF](#) [65817-015LF](#) [65863-015LF](#) [66207-023LF](#) [67095-007LF](#) [67601157](#) [68645-018](#) [68648-049](#) [70.362.1628.0](#) [70-4210](#) [70-4226B](#) [70-](#)  
[4853B](#) [707-5020](#) [707-5028](#) [71.350.2428.0](#) [71918-208LF](#) [71961-016LF](#) [733-134](#) [733-162](#) [754199-000](#) [760-3052](#) [79531-3000](#) [FCN-](#)  
[360C032-B](#) [FCN-367T-T012/H](#) [FCN-723D010/2](#) [80.063.4001.1](#) [800-90-001-10-001000](#) [800-90-010-10-002000](#) [801-43-002-10-013000](#)  
[801-43-006-10-002000](#)