

4

3

2

1

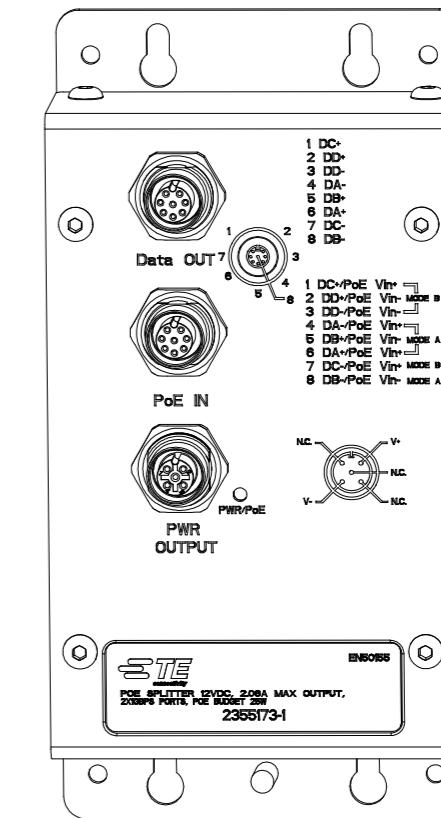
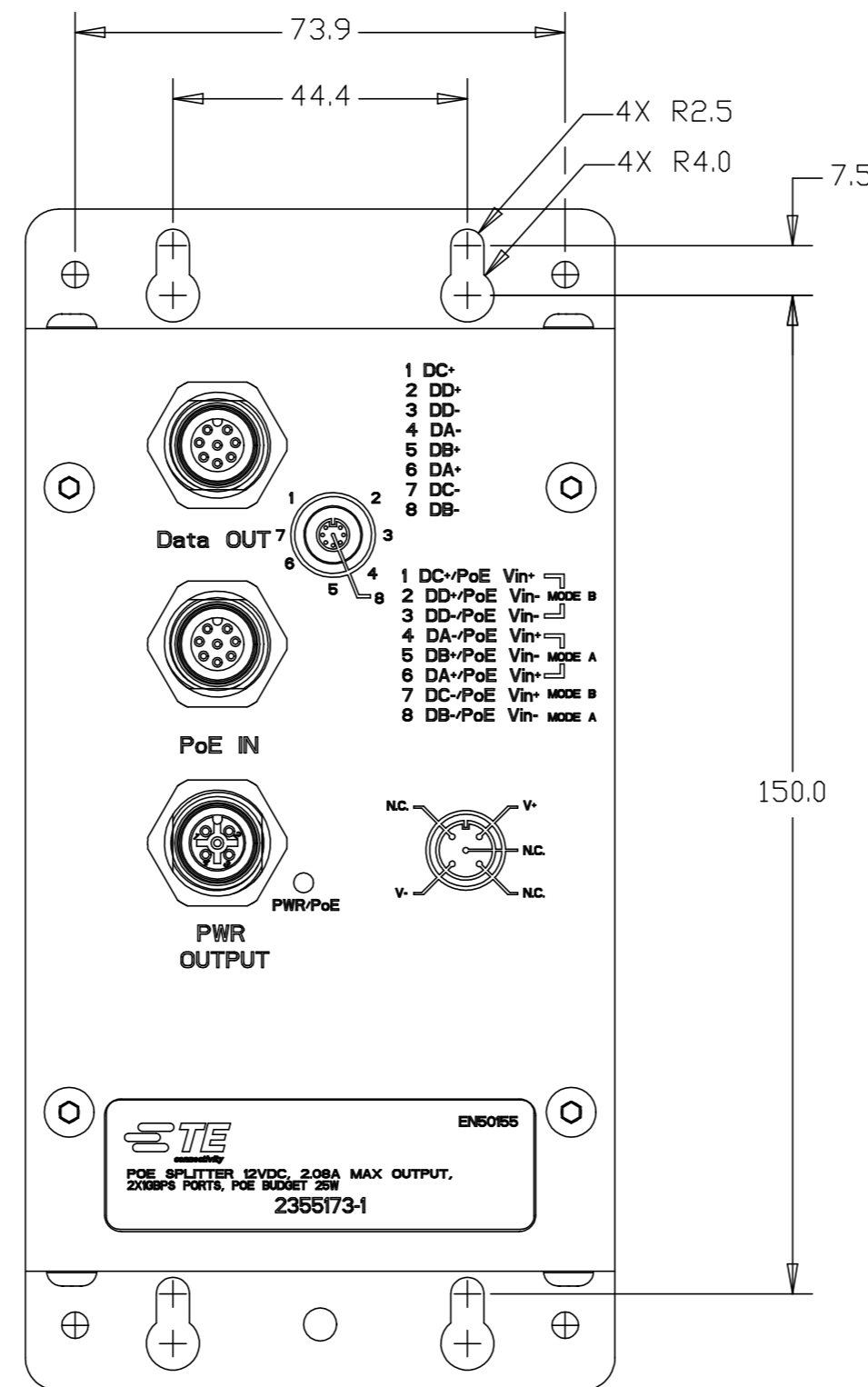
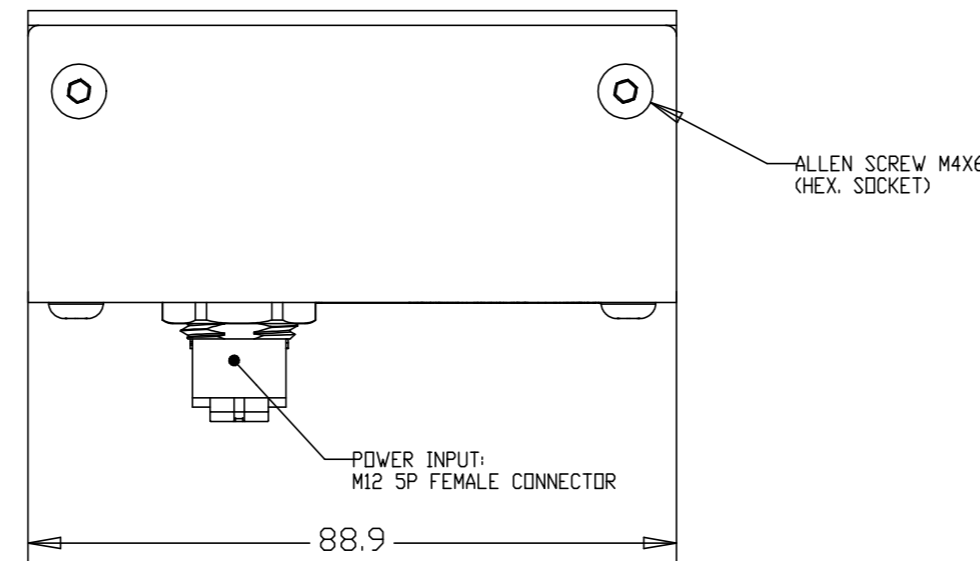
THIS DRAWING IS UNPUBLISHED. RELEASED FOR PUBLICATION  
COPYRIGHT - 03JUL2019 ALL RIGHTS RESERVED.

PROJECT	PRJ-17-000905364
PART NO.	2355173-X
DESCRIPTION	POE SPLITTER
CUSTOMER	GENERAL MARKET

REVISIONS					
P	LTR	DESCRIPTION	DATE	DWN	APVD
	A	INITIAL RELEASE	05JUL2019	GK	SE

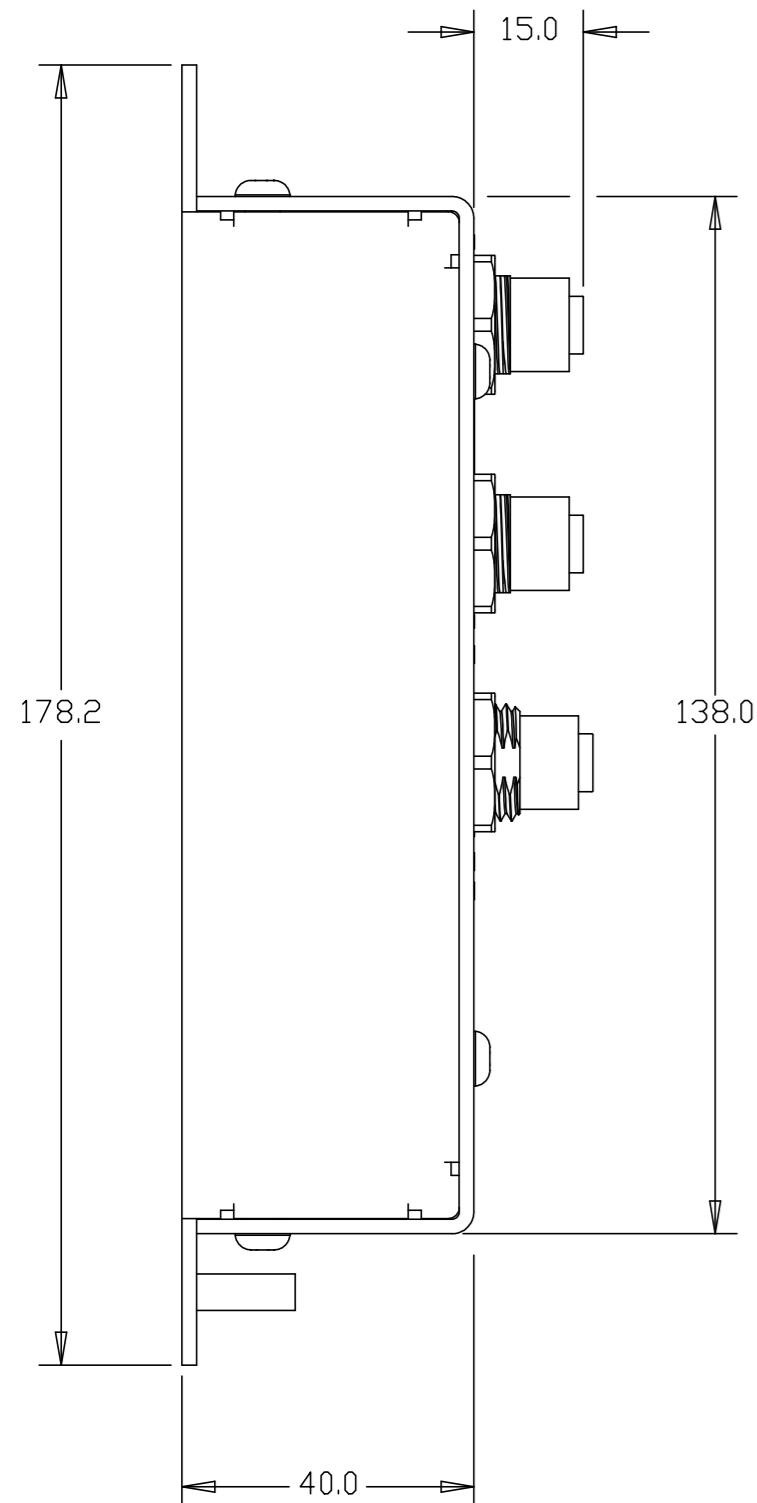
NOTES:

1. LEADING EN50155-COMPLIANT ETHERNET SWITCH FOR INDUSTRIAL APPLICATIONS, SUCH AS ROLLING STOCK, VEHICLE, AND RAILWAY APPLICATIONS.
2. M12 CONNECTORS TO GUARANTEE RELIABLE OPERATION AGAINST ENVIRONMENTAL DISTURBANCES.
3. RIGID IP-40 HOUSING DESIGN AND WALL MOUNTED.



PICTORIAL VIEW

FUNCTION	CONNECTOR ON SWITCH	REMARKS
POE IN	M12 FEMALE A8 CODED	
DATA OUT	M12 FEMALE A8 CODED	
POWER OUT	M12 FEMALE A5 CODED	12VDC 2.08A MAX



SL. NO.	PART NO.	DESCRIPTION	NO. OF PORTS	POE PORTS	SPEED	INPUT POWER
2	2355173-2	POE SPLITTER 24VDC, 1.04A MAX OUTPUT, 2X1GBPS PORTS, POE BUDGET 25W	1	1	10/100/1000 BASE-T(X)	N/A
1	2355173-1	POE SPLITTER 12VDC, 2.08A MAX OUTPUT, 2X1GBPS PORTS, POEBUDGET 25W	1	1	10/100/1000 BASE-T(X)	N/A

THIS DRAWING IS A CONTROLLED DOCUMENT.

DIMENSIONS: mm

TOLERANCES UNLESS OTHERWISE SPECIFIED:

0 PLC	±	-
1 PLC	±	-
2 PLC	±	-
3 PLC	±	-
4 PLC	±	-
ANGLES	±	-

MATERIAL: -

FINISH: -

WEIGHT: 0

CUSTOMER DRAWING

DWN: GOPALAKRISHNA HV, 05JUL2019

CHK: S. EGBERT, 05JUL2019

APVD: S. EGBERT, 05JUL2019

NAME: POE SPLITTER

SIZE: A2

CAGE CODE: 00779

DRAWING NO: C=2355173

RESTRICTED TO: -

SCALE: NTS

SHEET: 1 of 2

REV: A

TE Connectivity

2355173

4

3

2

1

THIS DRAWING IS UNPUBLISHED.

RELEASED FOR PUBLICATION

ALL RIGHTS RESERVED.

© COPYRIGHT - 03JUL2019

REVISIONS

P	LTR	DESCRIPTION	DATE	DWN	APVD
-	-	SEE SHEET 1	-	-	-

PIN ASSIGNMENTS FOR M12 A8 CONNECTOR

FROM PIN	POE IN				DATA OUT
	MODE A	COLOR	MODE B	COLOR	MODE A/B
1	BI_DA+ (Vdc+)	WHITE GREEN	BI_DA+	WHITE ORANGE	BI_DA+
2	BI_DA- (Vdc+)	GREEN	BI_DA-	ORANGE	BI_DA-
3	BI_DB+ (Vdc-)	WHITE ORANGE	BI_DB+	WHITE GREEN	BI_DB+
4	BI_DC+	BLUE	BI_DC+ (Vdc+)	BLUE	BI_DC+
5	BI_DC-	WHITE BLUE	BI_DC- (Vdc+)	WHITE BLUE	BI_DC-
6	BI_DB- (Vdc-)	ORANGE	BI_DB-	GREEN	BI_DB-
7	BI_DD+	WHITE BROWN	BI_DD+ (Vdc-)	WHITE BROWN	BI_DD+
8	BI_DD-	BROWN	BI_DD- (Vdc-)	BROWN	BI_DD-

PIN ASSIGNMENTS FOR M12 A5 POWER CONNECTOR

POWER OUT	
1	NC
2	V+
3	NC
4	V-
5	NC

THIS DRAWING IS A CONTROLLED DOCUMENT.		DWN GOPALAKRISHNA HV 05JUL2019		
DIMENSIONS: mm		CHK S. EGBERT 05JUL2019		
		APVD S. EGBERT 05JUL2019	NAME POE SPLITTER	
TOLERANCES UNLESS OTHERWISE SPECIFIED: 0 PLC ± - 1 PLC ± - 2 PLC ± - 3 PLC ± - 4 PLC ± - ANGLES ± -		PRODUCT SPEC -	APPLICATION SPEC -	
MATERIAL -		WEIGHT 0	SIZE A2	CAGE CODE 00779
		DRAWING NO C=2355173		RESTRICTED TO -
		CUSTOMER DRAWING		SCALE NTS
		SHEET 2 of 2		REV A

1471-9 (1/15)

2355173

## X-ON Electronics

Largest Supplier of Electrical and Electronic Components

*Click to view similar products for [Ethernet Modules](#) category:*

*Click to view products by [TE Connectivity](#) manufacturer:*

Other Similar products are found below :

[TDKEZW3](#) [V23993-USB1029A](#) [100-POE4](#) [I210T1BLK](#) [X520QDA1](#) [BCM84794A1KFSBG](#) [X520DA2OCP](#) [808-38157](#) [7506GX2](#) [TC](#)  
[EXTENDER 2001 ETH-2S](#) [105FX-SC-MDR](#) [110FX2-SC](#) [BCM54291B0IQLEG](#) [7000-P3201-P050150](#) [750-1415](#) [750-1515](#) [750-494](#) [750-](#)  
[495](#) [750-612](#) [750-643](#) [750-940](#) [753-540](#) [753-650/003-000](#) [852-1322](#) [852-1328](#) [852-1812](#) [852-1813](#) [852-1816](#) [LANTICK PE-0-16](#)  
[LANTICK PE-16-0](#) [RBMTXLITE-L4X2.X.X.X.X.](#) [USR-TCP232-T2](#) [2017008](#) [EKI-7708E-4F-AE](#) [EKI-7708E-4FP-AE](#) [EKI-7708G-4FP-AE](#)  
[2352903-2](#) [EGU-0702-SFP-T](#) [SW-125](#) [SW-525](#) [SW-725](#) [1005957](#) [1006191](#) [304TX-N](#) [WIZ107SR\\_TTL](#) [ES-320](#) [TDKEZW5](#) [2003025](#)  
[2003037](#) [2013040](#)