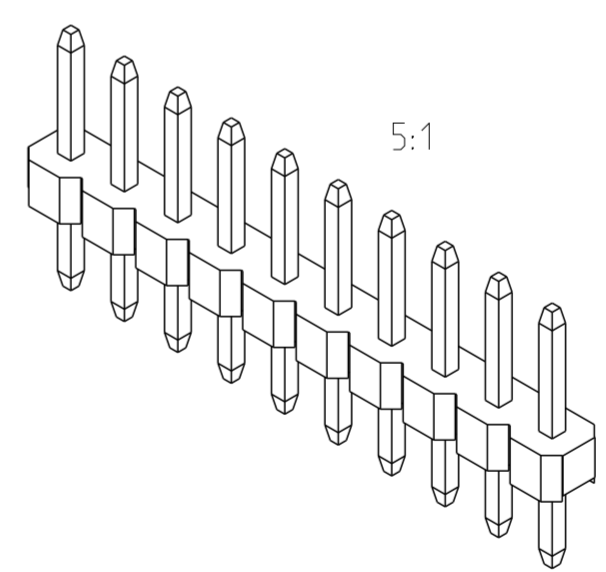
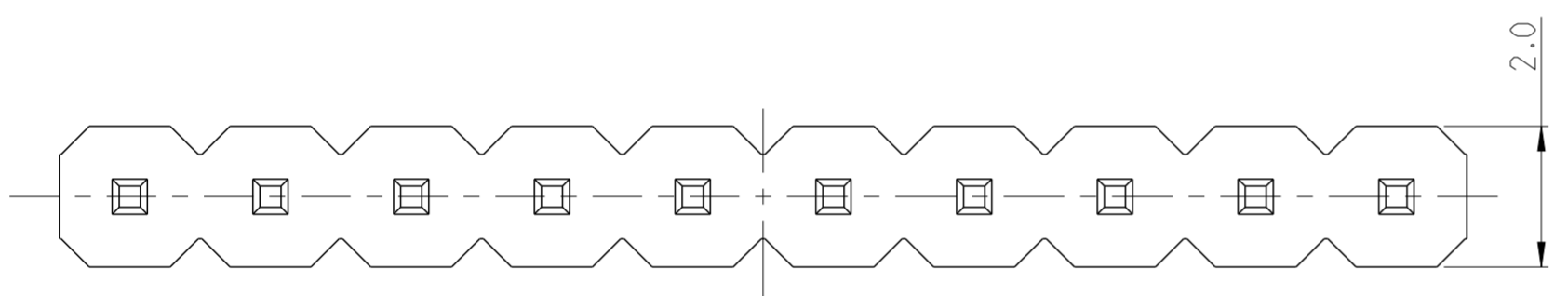
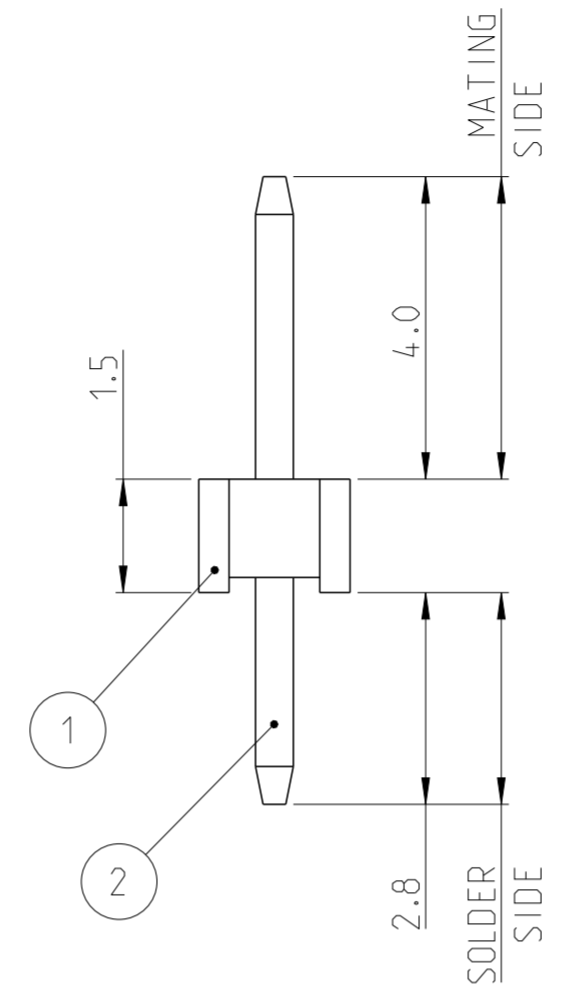
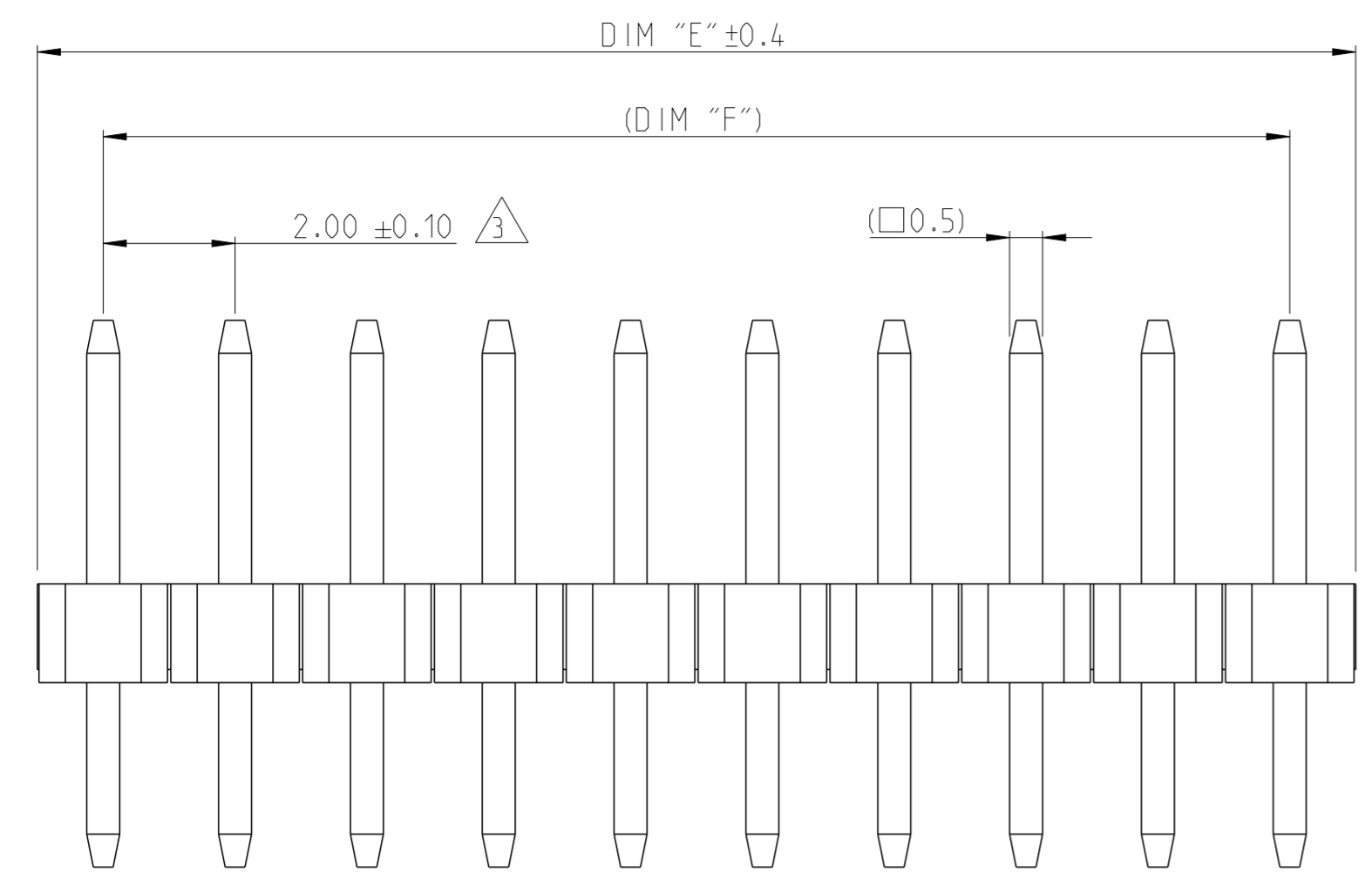


P	LTR	DESCRIPTION	DATE	DWN	APVD
A		RELEASE TO PRODUCTION	26AUG2019	AY	PS
A1		REMOVED TOLERANCE FROM DIM F	17DEC2019	AY	PS

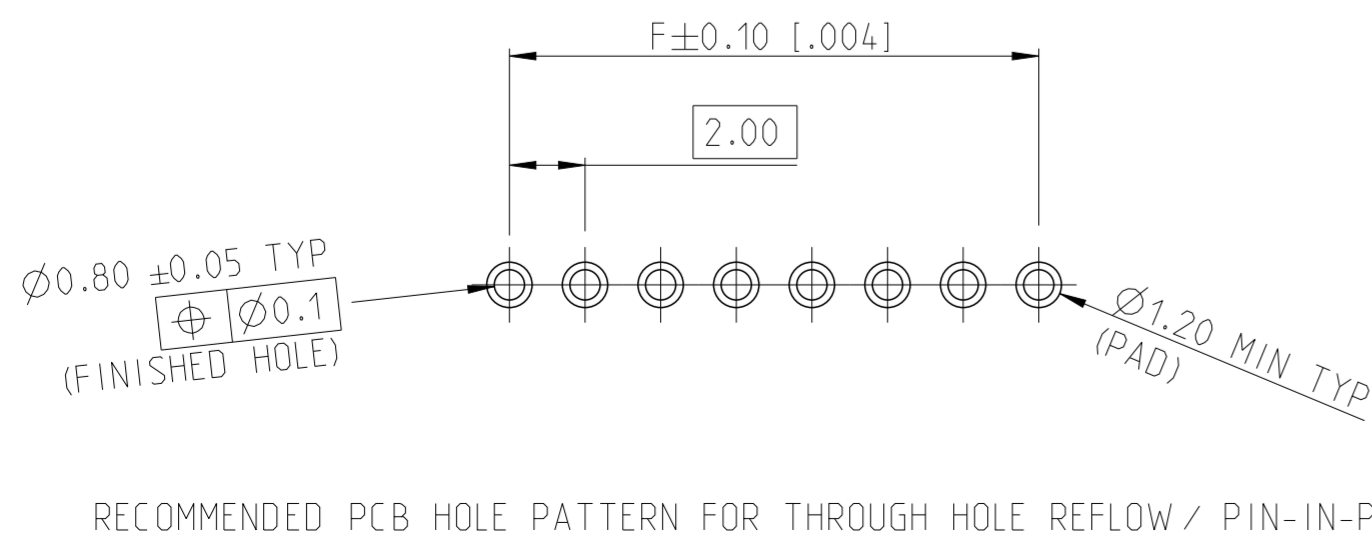
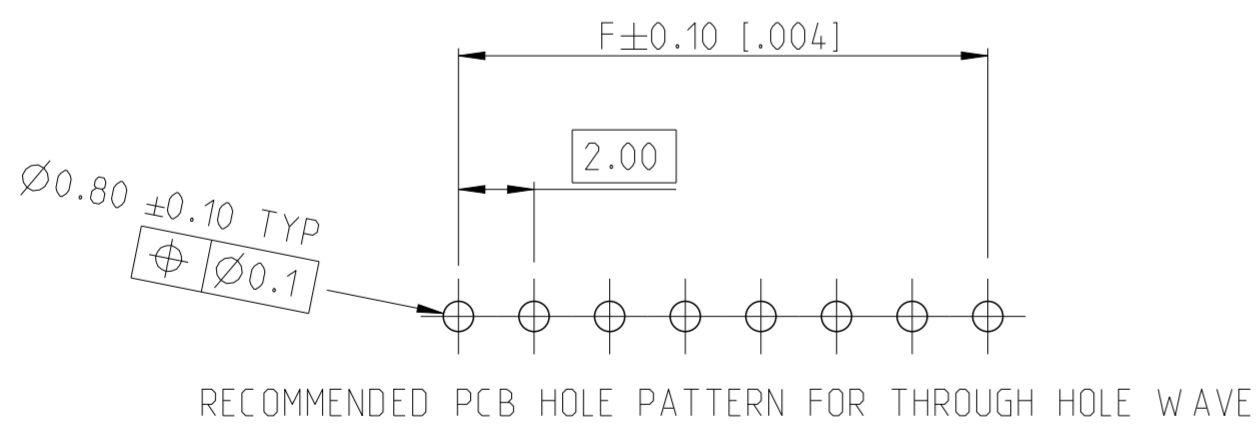
NOTES:

- MATERIAL
HOUSING : HIGH TEMPERATURE THERMOPLASTIC, UL94-V0; COLOR- BLACK
POST : COPPER ALLOY
FINISH :
MATING SIDE: MIN. 0.76 μ m GOLD OVER NICKEL UNDER PLATING.
SOLDER SIDE: MIN. 2.0 μ m BRIGHT TIN OVER NICKEL UNDER PLATING.
- PACKAGING: TUBE
- TOLERANCE NOT CUMULATIVE.
- CUTTING BURR MAX. 0.25 mm.



1-2355182-0 AS SHOWN

48.0	50.0	25	2-2355182-5
46.0	48.0	24	2-2355182-4
44.0	46.0	23	2-2355182-3
42.0	44.0	22	2-2355182-2
40.0	42.0	21	2-2355182-1
38.0	40.0	20	2-2355182-0
36.0	38.0	19	1-2355182-9
34.0	36.0	18	1-2355182-8
32.0	34.0	17	1-2355182-7
30.0	32.0	16	1-2355182-6
28.0	30.0	15	1-2355182-5
26.0	28.0	14	1-2355182-4
24.0	26.0	13	1-2355182-3
22.0	24.0	12	1-2355182-2
20.0	22.0	11	1-2355182-1
18.0	20.0	10	1-2355182-0
16.0	18.0	9	2355182-9
14.0	16.0	8	2355182-8
12.0	14.0	7	2355182-7
10.0	12.0	6	2355182-6
8.0	10.0	5	2355182-5
6.0	8.0	4	2355182-4
4.0	6.0	3	2355182-3
2.0	4.0	2	2355182-2
DIM "F"	DIM "E"	POS	TE PN



CONTACT PIN	2
HOUSING	1
DESCRIPTION	ITEM NO.

THIS DRAWING IS A CONTROLLED DOCUMENT.

DIMENSIONS: mm	TOLERANCES UNLESS OTHERWISE SPECIFIED:	DWN RAGHAVENDRA.K 09APR2019	TE Connectivity NAME AMPMODU 2mm BREAKAWAY HEADER, SINGLE ROW, VERTICAL, 0.76 Au, TUBE
0 PLC ±	1 PLC ±0.2	CHK KARTHIK.JK 14AUG2019	
2 PLC ±0.15	3 PLC ±	APVD PRASHANTH 16AUG2019	
4 PLC ±	ANGLES ±2°	PRODUCT SPEC 108-64040	
MATERIAL SEE NOTES	FINISH SEE NOTES	APPLICATION SPEC 114-32259	SIZE A2
		CUSTOMER DRAWING	CAGE CODE 00779
			DRAWING NO. C-2355182
			RESTRICTED TO -
			SCALE 10:1 SHEET 1 OF 1 REV A1

X-ON Electronics

Largest Supplier of Electrical and Electronic Components

Click to view similar products for [Board to Board & Mezzanine Connectors](#) category:

Click to view products by [TE Connectivity](#) manufacturer:

Other Similar products are found below :

[589158040000018](#) [MDF7C-18P-2.54DSA\(55\)](#) [FCN-230C068-11](#) [FCN-268F012-G/BD](#) [FCN-268F036-G/BD](#) [FCN-268M012-G/0D](#) [FCN-268M024-G/1D](#) [FCN-723J004/1](#) [MIS-048-01-F-D-DP-K](#) [832-10-034-10-001000](#) [FX4C-80S-1.27DSA](#) [FCN-214Q030-G/0](#) [FCN-234P048-G/0](#) [FCN-235D050-G/C](#) [210-93-314-41-105000](#) [2-22603-0](#) [MDF7-40DP-2.54DSA\(55\)](#) [AXG720047](#) [5031084030](#) [MIT-114-03-F-D-K](#) [55323-1519](#) [DF33-2P-3.3DSA\(24\)](#) [YFT-20-05-H-03-SB-K](#) [503308-3040](#) [026-6203-PDB](#) [027-6203-PDB](#) [069159702701000](#) [10123981-102LF](#) [101A10019X](#) [55650-0588-C](#) [68684-306](#) [75140-7012](#) [589159005003045](#) [194261-1](#) [FCN-268F024-G0D](#) [10124054-515LF](#) [68685-603](#) [8-1616154-3](#) [MIS-019-01-F-D](#) [589159005002045](#) [541371078](#) [IL-WX-10PB-HF-B-E1000E](#) [FCN-268M024-G/3D](#) [20021832-06016C1LF](#) [KX15-20KLDL-E1000E](#) [MDF7-16DP-2.54DSA\(55\)](#) [AXE810124](#) [FCN-214J100-G/0](#) [FCN-230C068-E/S](#) [AXE812124](#)