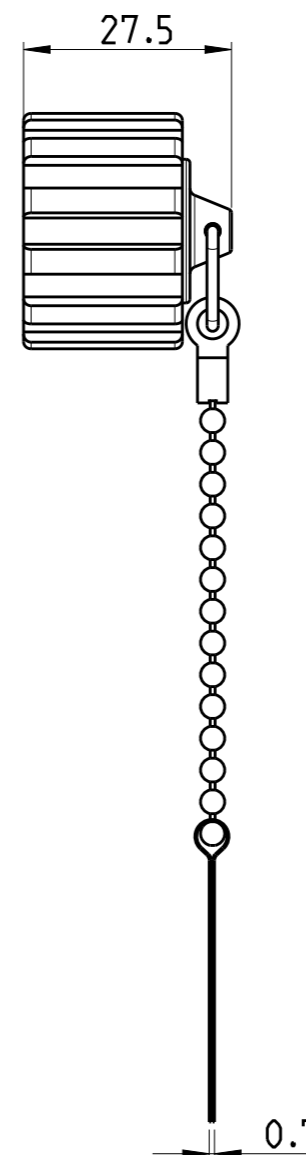
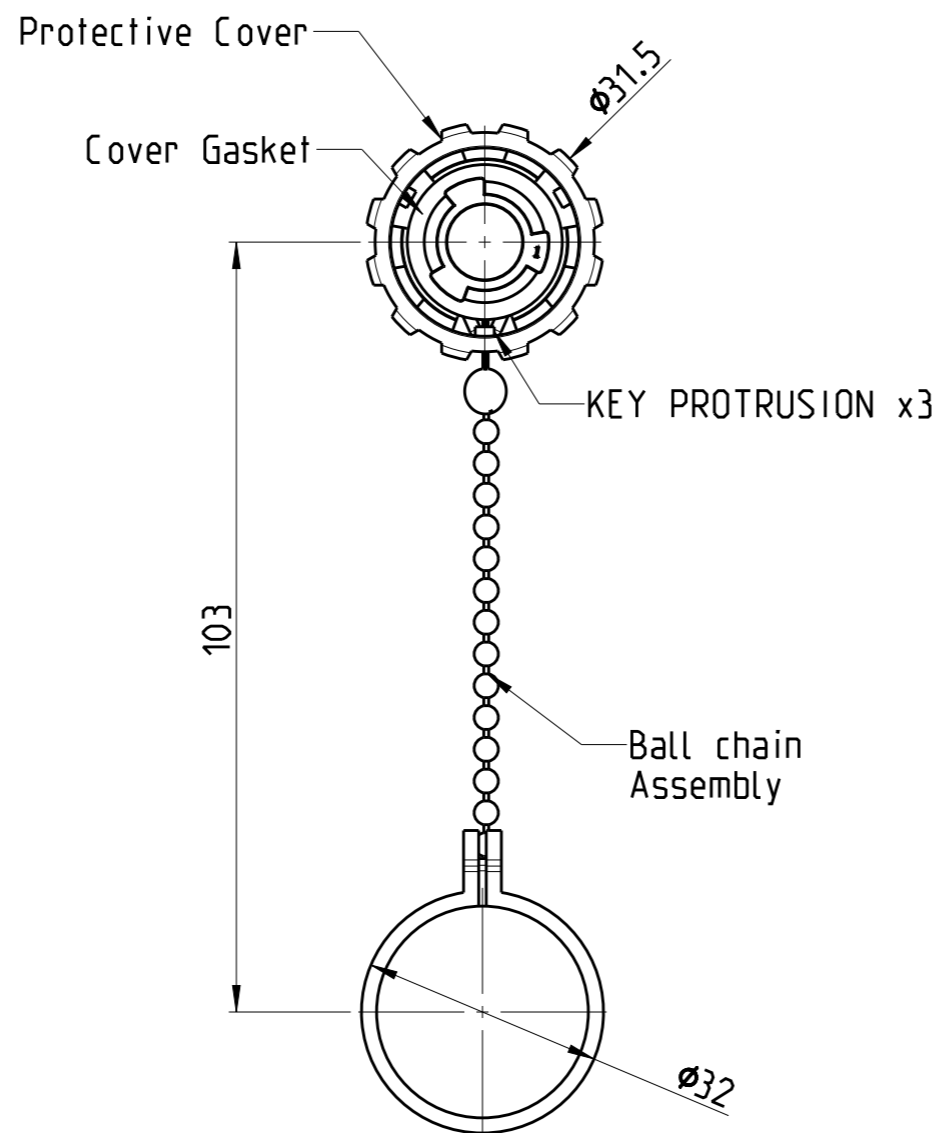


P	LTR	DESCRIPTION	DATE	DWN	APVD
A		INITIAL RELEASE	19APR2019	SS	KMA
B		ECR-19-018070	18NOV2019	SS	JK



2355444-1 AS SHOWN

Notes:

1. Material and Finish:
 - Protective Cover: Zinc Die-Cast, Nickel Plated
 - Cover Gasket: Silicon, Color: Transparent
 - Ball Chain Assembly, Copper Alloy and Stainless steel, Nickel Plated

2. Operating Temperature: -40°C to +85°C
3. IP67 rated when fully mated with the appropriate connector
4. RoHS compliant
5. Packaging Spec: 107-19763

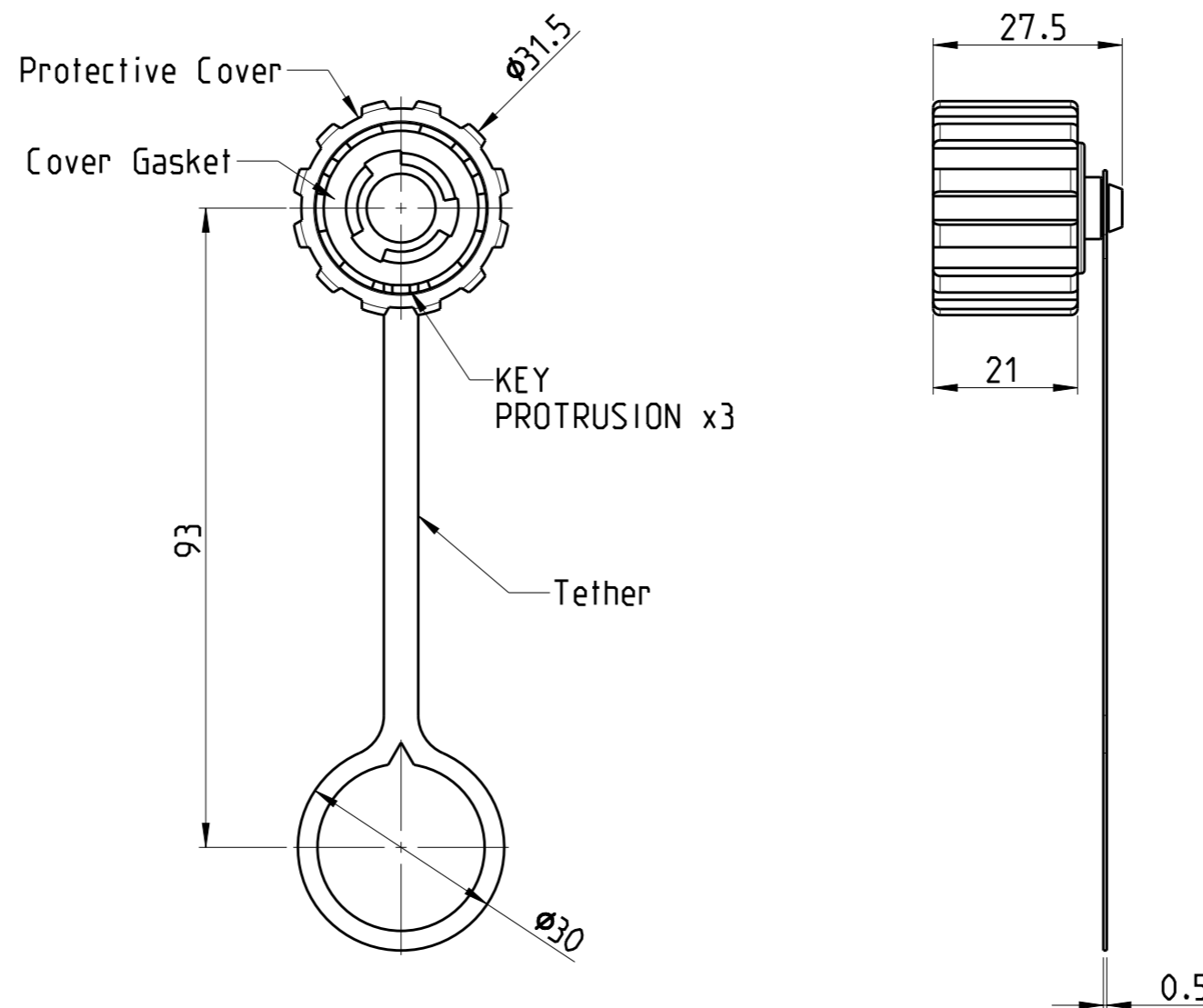
6. Material and Finish:
 - Protective Cover: PBT UL 94 V-0, black
 - Cover Gasket: Silicon, Color: Transparent
 - Tether: PE black

E81956	6	2355444-2
E81956	1	2355444-1
UL NO.	MATERIAL	TEPN

THIS DRAWING IS A CONTROLLED DOCUMENT.		DWN S.SHARMA 19APR2019			
		CHK K.MALCZYK 24APR2019			
		APVD J.de BRULIN 24APR2019	NAME PROTECTIVE COVER ASSEMBLY KIT		
DIMENSIONS: mm 		PRODUCT SPEC -	RESTRICTED TO -		
TOLERANCES UNLESS OTHERWISE SPECIFIED: 0 PLC ±0.50 1 PLC ±0.38 2 PLC ±0.25 3 PLC ±0.10 4 PLC ANGLES ±3°		APPLICATION SPEC 114-19162	SIZE A3	CAGE CODE 00779	DRAWING NO C-2355444
MATERIAL SEE TABLE		FINISH SEE TABLE	WEIGHT -	SCALE 1:1	
CUSTOMER DRAWING			SHEET 1 OF 2	REV B	

REVISIONS

P	LTR	DESCRIPTION	DATE	DWN	APVD
-		SEE SHEET 1	-	-	-



2355444-2 AS SHOWN

THIS DRAWING IS A CONTROLLED DOCUMENT.

DWN S.SHARMA 19APR2019
 CHK K.MALCZYK 24APR2019
 APVD J.de BRULIN 24APR2019



DIMENSIONS:	TOLERANCES UNLESS OTHERWISE SPECIFIED:
mm	
	0 PLC ±0.50
	1 PLC ±0.38
	2 PLC ±0.25
	3 PLC ±0.10
	4 PLC ±
	ANGLES ±3°

PRODUCT SPEC -
 APPLICATION SPEC 114-19162
 WEIGHT -

NAME				RESTRICTED TO	
PROTECTIVE COVER ASSEMBLY KIT				-	
SIZE	CAGE CODE	DRAWING NO	-		
A3	00779	C-2355444	-		

MATERIAL SEE TABLE

FINISH SEE TABLE

CUSTOMER DRAWING

SCALE 1:1 SHEET 2 OF 2 REV B

X-ON Electronics

Largest Supplier of Electrical and Electronic Components

Click to view similar products for [Modular Connectors / Ethernet Connectors](#) category:

Click to view products by [TE Connectivity](#) manufacturer:

Other Similar products are found below :

[8949-H88/06BLKA/SN](#) [74441-0010/BKN](#) [PHP-6P6C-5](#) [GAX-3-66](#) [GAX-8-62](#) [GDCX-PN-66](#) [GLX-A-44](#) [GLX-N-1010M-BLK](#) [GMX-SMT4-N-88](#) [GSGX-N-2-88](#) [GSGX-N-4-88](#) [GSX-NS2-88-3.05](#) [GSX-NS-88-3.68](#) [PT-108A-8C-UL](#) [PTS-J531-8CS-50UL](#) [A-2014-0-4](#) [GWLX-S9-88-YG](#) [DC-1021-8-WH-6](#) [1300530003](#) [1324640-4](#) [RJ11FTVC2G](#) [RJ11FTVC2N](#) [RJFTVX2SA1G](#) [132764-001](#) [1413235](#) [MPS88RX-5000](#) [E5288-S000K3-L](#) [155302-001](#) [AX101050](#) [AX101063](#) [AX101065](#) [AX101072](#) [AX101307](#) [AX101315](#) [AX101318](#) [AX102271](#) [AX102288](#) [AX102651](#) [AX102660](#) [J0012D21NL](#) [J0026D01ENL](#) [PC4D0018P](#) [8949-B88/6](#) [2-6609208-5](#) [937-SP-3088-2PC-A192](#) [303066VFL](#) [303068V](#) [303088LFLSA](#) [303088SBL](#) [30-8603](#)