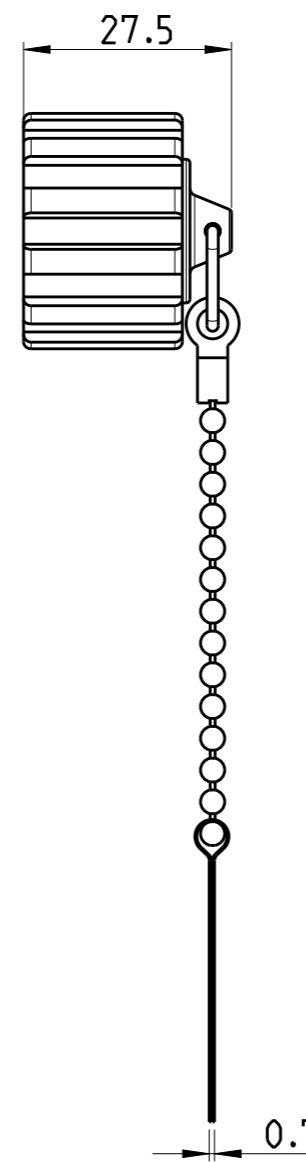
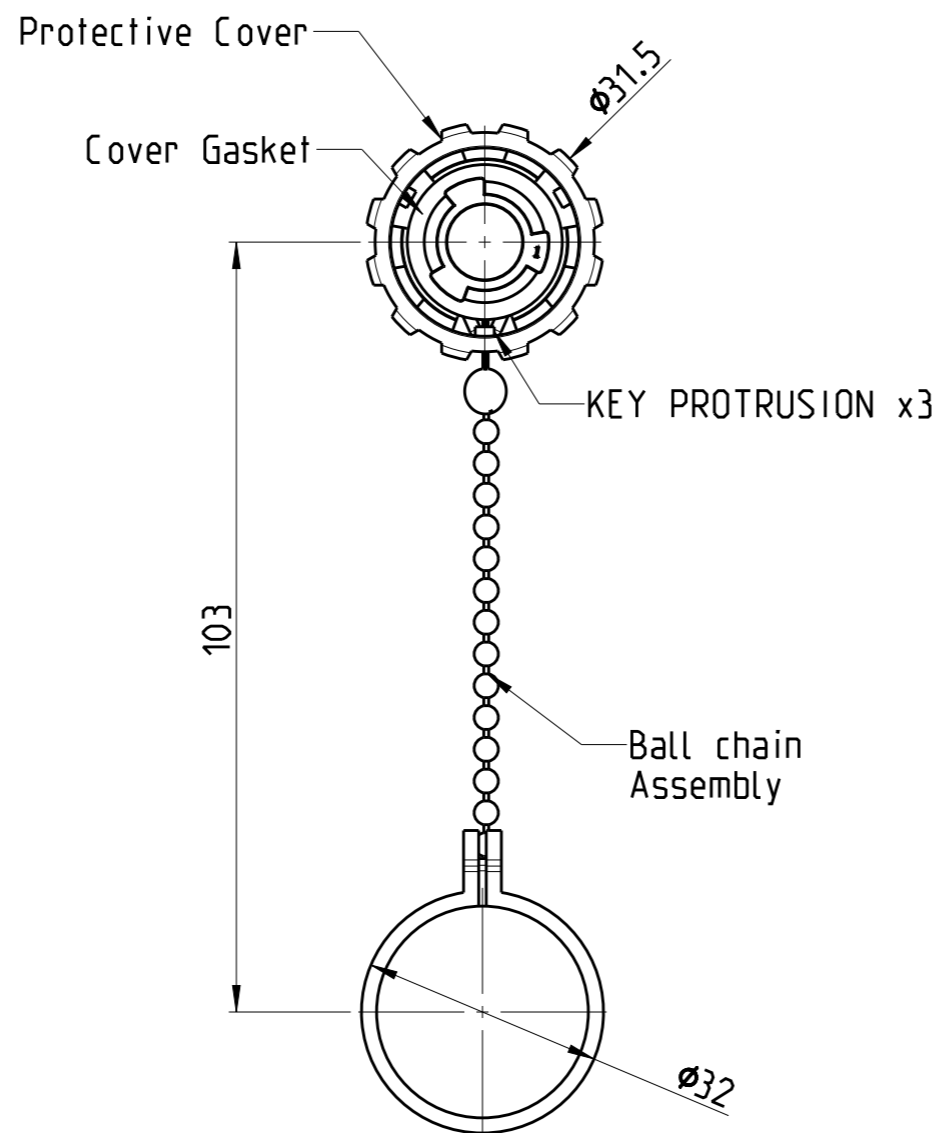


P	LTR	DESCRIPTION	DATE	DWN	APVD
A		INITIAL RELEASE	19APR2019	SS	KMA
B		ECR-19-018070	18NOV2019	SS	JK



2355444-1 AS SHOWN

Notes:

1. Material and Finish:
 - Protective Cover: Zinc Die-Cast, Nickel Plated
 - Cover Gasket: Silicon, Color: Transparent
 - Ball Chain Assembly, Copper Alloy and Stainless steel, Nickel Plated

2. Operating Temperature: -40°C to +85°C
3. IP67 rated when fully mated with the appropriate connector
4. RoHS compliant
5. Packaging Spec: 107-19763

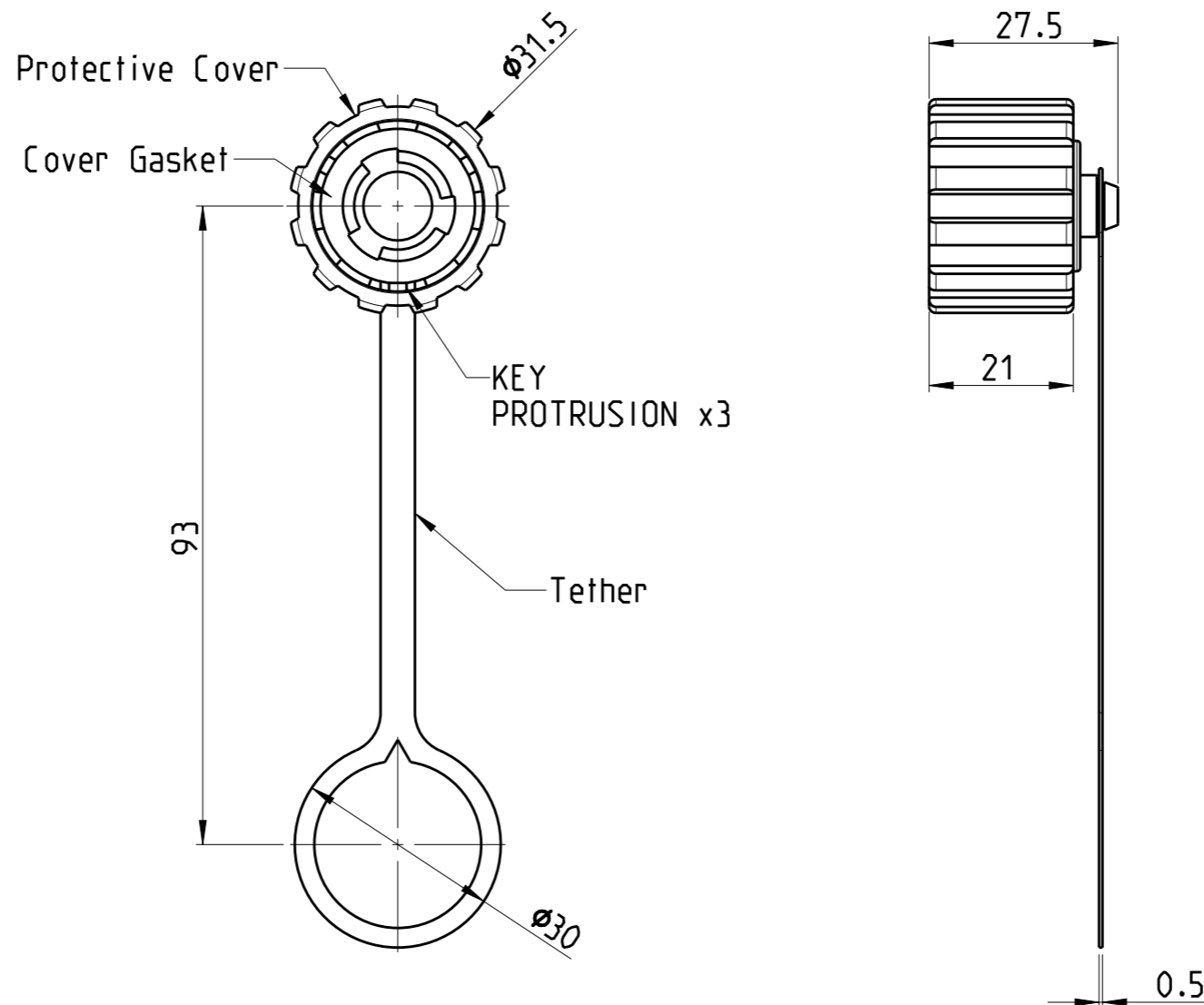
6. Material and Finish:
 - Protective Cover: PBT UL 94 V-0, black
 - Cover Gasket: Silicon, Color: Transparent
 - Tether: PE black

E81956	6	2355444-2
E81956	1	2355444-1
UL NO.	MATERIAL	TEPN

THIS DRAWING IS A CONTROLLED DOCUMENT.		DWN S.SHARMA 19APR2019												
DIMENSIONS: mm		CHK K.MALCZYK 24APR2019												
TOLERANCES UNLESS OTHERWISE SPECIFIED:		APVD J.de BRULIN 24APR2019												
<table border="1"> <tr> <td>0 PLC</td> <td>±0.50</td> </tr> <tr> <td>1 PLC</td> <td>±0.38</td> </tr> <tr> <td>2 PLC</td> <td>±0.25</td> </tr> <tr> <td>3 PLC</td> <td>±0.10</td> </tr> <tr> <td>4 PLC</td> <td>±</td> </tr> <tr> <td>ANGLES</td> <td>±3°</td> </tr> </table>		0 PLC			±0.50	1 PLC	±0.38	2 PLC	±0.25	3 PLC	±0.10	4 PLC	±	ANGLES
0 PLC	±0.50													
1 PLC	±0.38													
2 PLC	±0.25													
3 PLC	±0.10													
4 PLC	±													
ANGLES	±3°													
MATERIAL SEE TABLE	FINISH SEE TABLE	APPLICATION SPEC 114-19162	NAME PROTECTIVE COVER ASSEMBLY KIT	RESTRICTED TO -										
CUSTOMER DRAWING		WEIGHT -	SIZE A3	CAGE CODE 00779										
		SCALE 1:1	DRAWING NO C-2355444	SHEET 1 OF 2										
				REV B										

REVISIONS

P	LTR	DESCRIPTION	DATE	DWN	APVD
-		SEE SHEET 1	-	-	-



2355444-2 AS SHOWN

THIS DRAWING IS A CONTROLLED DOCUMENT.

DIMENSIONS:	TOLERANCES UNLESS OTHERWISE SPECIFIED:
mm	
	0 PLC ±0.50
	1 PLC ±0.38
	2 PLC ±0.25
	3 PLC ±0.10
	4 PLC ±
	ANGLES ±3°

MATERIAL	FINISH
SEE TABLE	SEE TABLE

DWN	S.SHARMA	19APR2019
CHK	K.MALCZYK	24APR2019
APVD	J.de BRULIN	24APR2019
PRODUCT SPEC	-	
APPLICATION SPEC	114-19162	
WEIGHT	-	



NAME				PROTECTIVE COVER ASSEMBLY KIT	
SIZE				-	
CAGE CODE				-	
DRAWING NO		RESTRICTED TO			
A3	00779	C-2355444			

X-ON Electronics

Largest Supplier of Electrical and Electronic Components

Click to view similar products for [Modular Connectors / Ethernet Connectors](#) category:

Click to view products by [TE Connectivity](#) manufacturer:

Other Similar products are found below :

[8949-H88/06BLKA/SN](#) [74441-0010/BKN](#) [PHP-6P6C-5](#) [GAX-3-66](#) [GAX-8-62](#) [GDCX-PN-66](#) [GLX-A-44](#) [GLX-N-1010M-BLK](#) [GMX-SMT4-N-88](#) [GSGX-N-2-88](#) [GSGX-N-4-88](#) [GSX-NS2-88-3.05](#) [GSX-NS-88-3.68](#) [PT-108A-8C-UL](#) [PTS-J531-8CS-50UL](#) [A-2014-0-4](#) [GWLX-S9-88-YG](#) [DC-1021-8-WH-6](#) [1300530003](#) [1324640-4](#) [RJ11FTVC2G](#) [RJ11FTVC2N](#) [RJFTVX2SA1G](#) [132764-001](#) [1413235](#) [MPS88RX-5000](#) [E5288-S000K3-L](#) [155302-001](#) [AX101050](#) [AX101063](#) [AX101065](#) [AX101072](#) [AX101307](#) [AX101315](#) [AX101318](#) [AX102271](#) [AX102288](#) [AX102651](#) [AX102660](#) [J0012D21NL](#) [J0026D01ENL](#) [PC4D0018P](#) [8949-B88/6](#) [2-6609208-5](#) [937-SP-3088-2PC-A192](#) [303066VFL](#) [303068V](#) [303088LFLSA](#) [303088SBL](#) [30-8603](#)