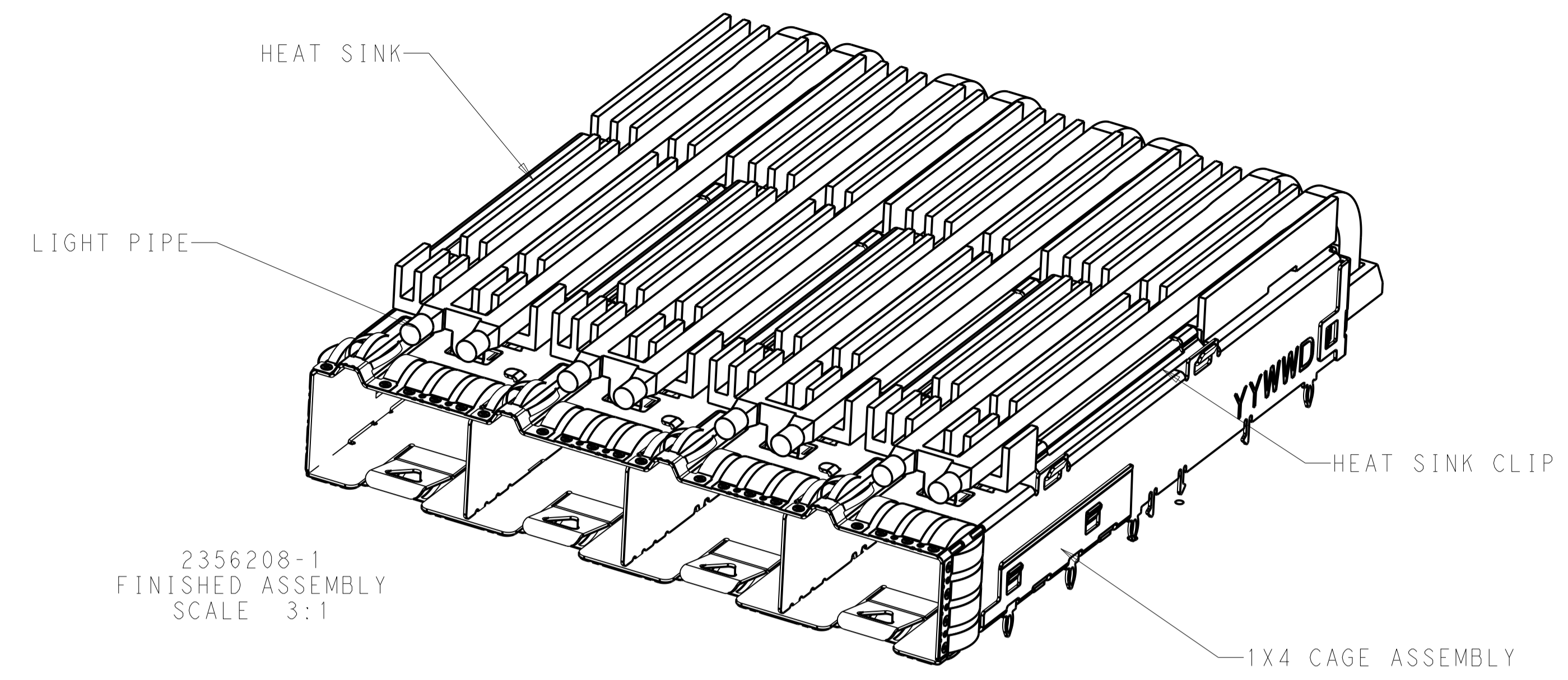
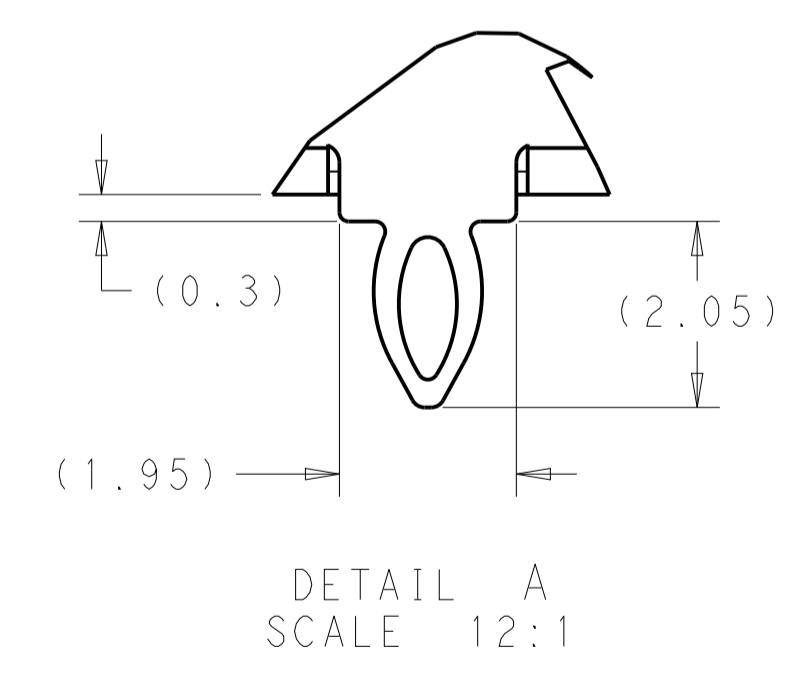
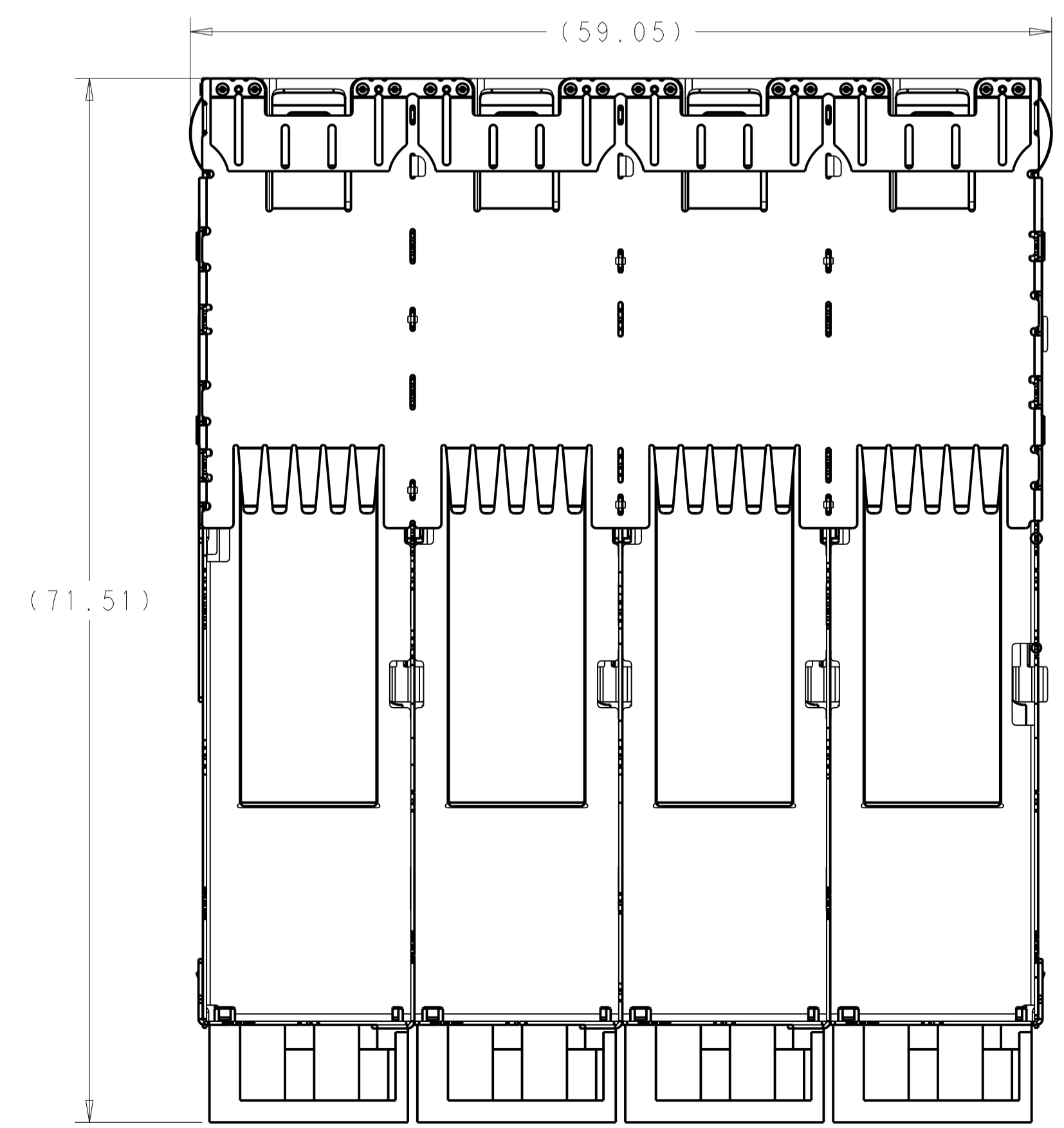
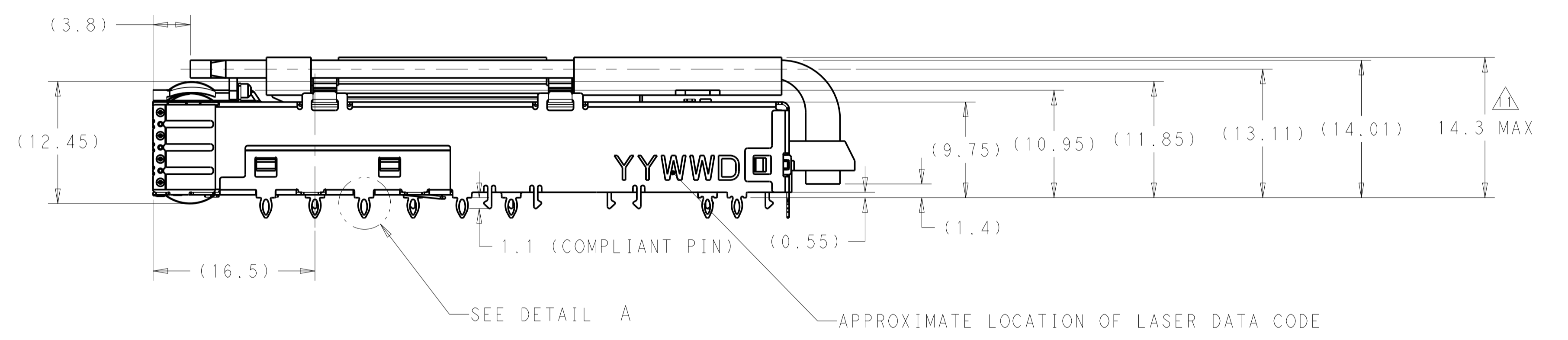
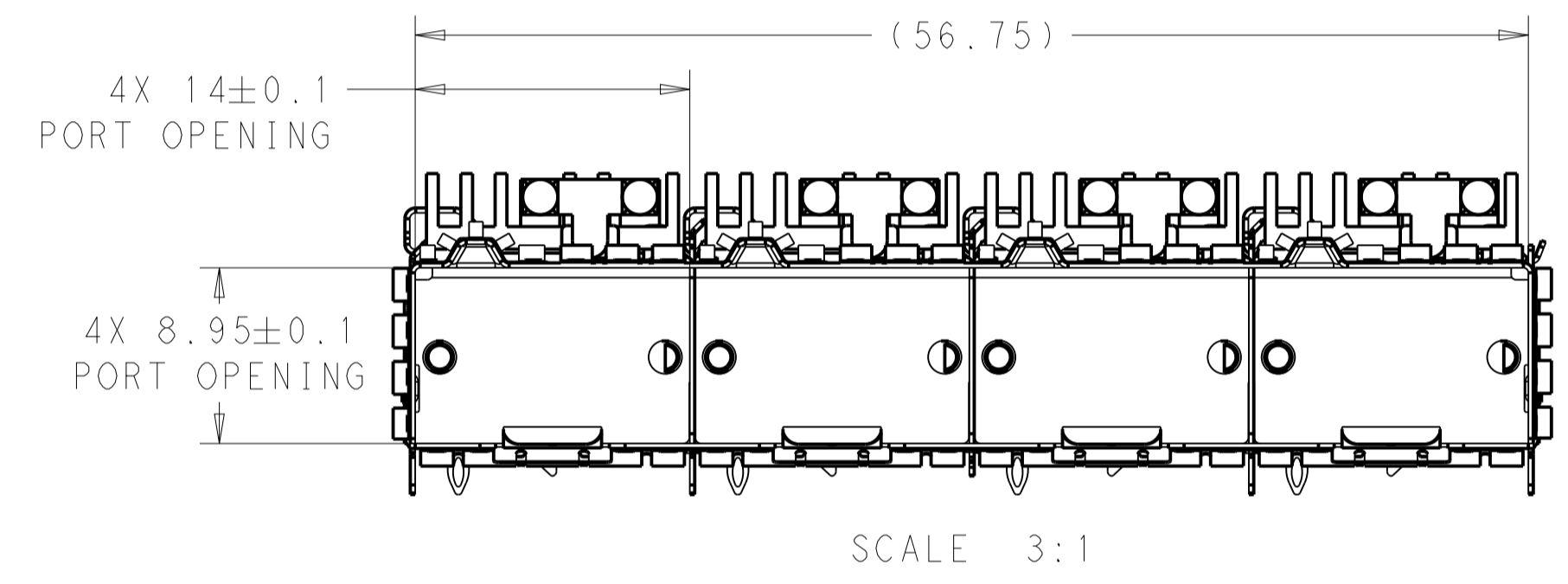


LOC	DIST	REVISIONS			
GP	00	REV	DATE	BY	CHK
		A	PRODUCTION RELEASE	16JAN2021	SZH



- CAGE: 0.25mm THICK STAINLESS STEEL
EMI SPRINGS: COPPER ALLOY
HEAT SINK: ALUMINUM
HEAT SINK CLIP: STAINLESS STEEL
LIGHT PIPE: CLEAR POLYCARBONATE
 - FINISH:
SPRINGS: 0.8um NICKEL. NON-PLATED EDGES PERMISSIBLE.
HEAT SINK: SEE TABLE
 - MATES WITH SFP-DD MSA COMPLIANT TRANSCEIVERS.
 - INTERPRETATION OF DATUM REFERENCE FRAME IN ACCORDANCE WITH SECT 4.4.1.1 OF ASME Y14.5M-1994.
 - MINIMUM PC BOARD THICKNESS:
SINGLE SIDED = 1.57mm
DOUBLE SIDED = 2.20mm
- △ DATUM AND BASIC DIMENSION ESTABLISHED BY CUSTOMER.
- △ REFERENCE APPLICATION SPEC. 114-60027, HOLE A, FOR RECOMMENDED DRILL HOLE DIAMETER AND PLATING THICKNESS.
- △ REFERENCE APPLICATION SPEC. 114-60027, HOLE B, FOR RECOMMENDED DRILL HOLE DIAMETER AND PLATING THICKNESS.
- △ HOLE PATTERN REPEATS FOR EACH PORT. SPACING BETWEEN PORTS IS 14.25mm.
10. DATUM -A- IS TOP SURFACE OF THE HOST BOARD.
- △ HEAT SINK HEIGHT IS APPLIED AFTER MODULE INSERTED.



WITHOUT	NICKLE PLATING	1-2356208-1
WITH	BLACK ANODIZATION	2356208-3
WITH	BLACK ANODIZATION	2356208-2
WITH	NICKLE PLATING	2356208-1
LP	HEAT SINK FINISH	PART NUMBER

THIS DRAWING IS A CONTROLLED DOCUMENT. DIMENSIONS: mm. TOLERANCES UNLESS OTHERWISE SPECIFIED: 0 PLC ±0.25, 1 PLC ±0.25, 2 PLC ±0.20, 3 PLC ±0.20, 4 PLC ±0.20, ANGLES ±. MATERIAL: FINISH: .

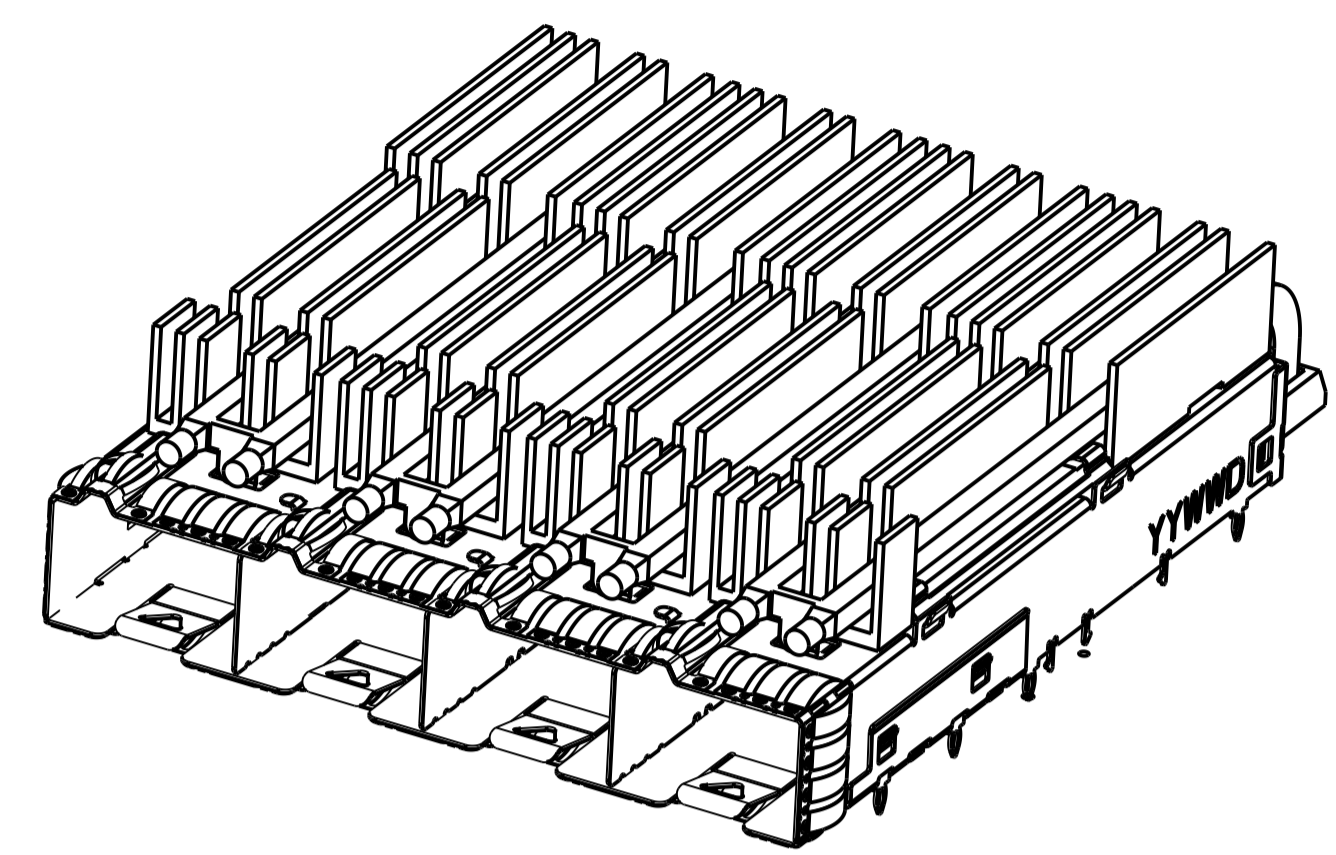
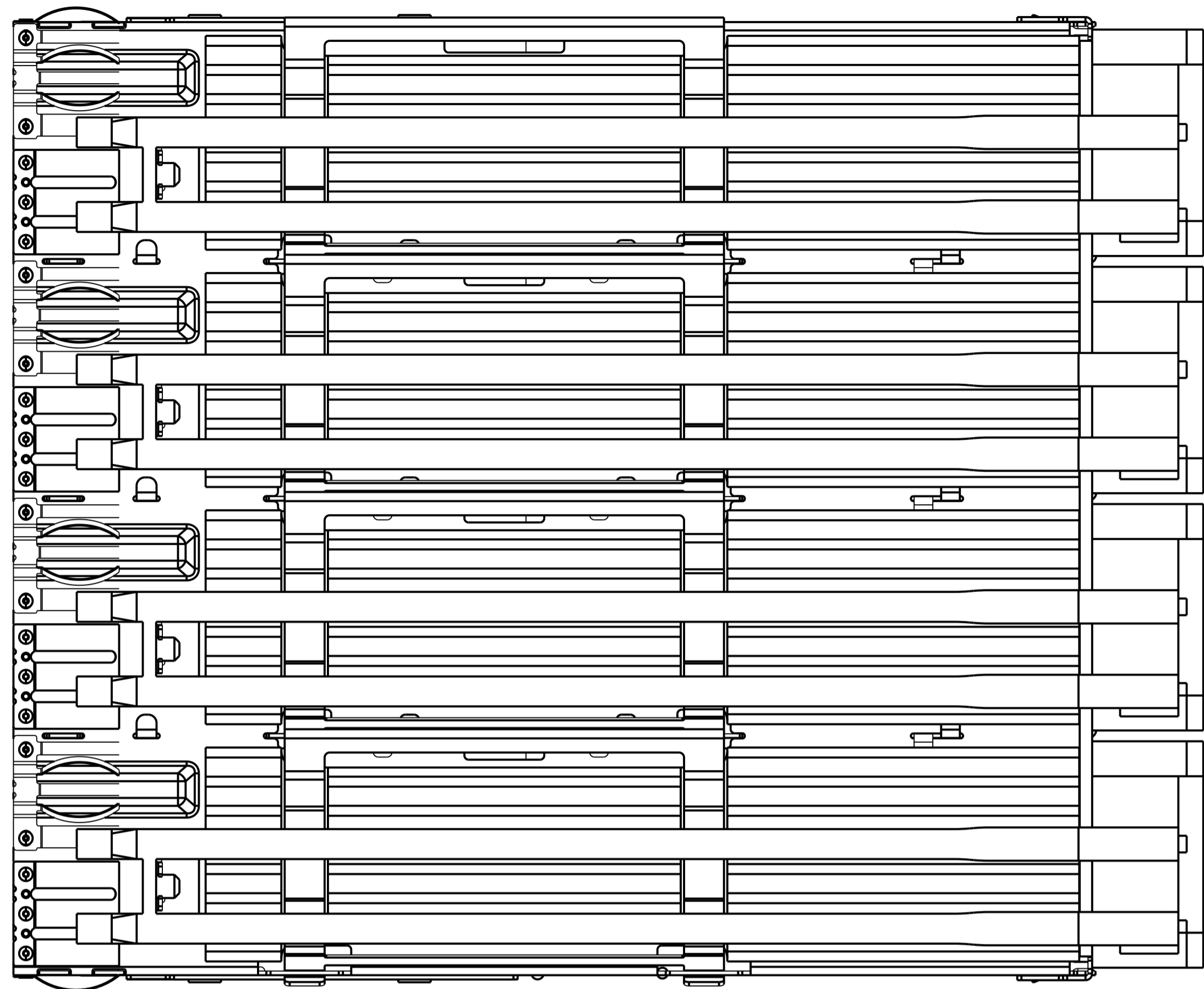
OWN: VINDY LIU 08MAY2019, CHK: SEAN HAN 08MAY2019, APVD: .

PRODUCT SPEC: 108-60128, APPLICATION SPEC: 114-60027, WEIGHT: .

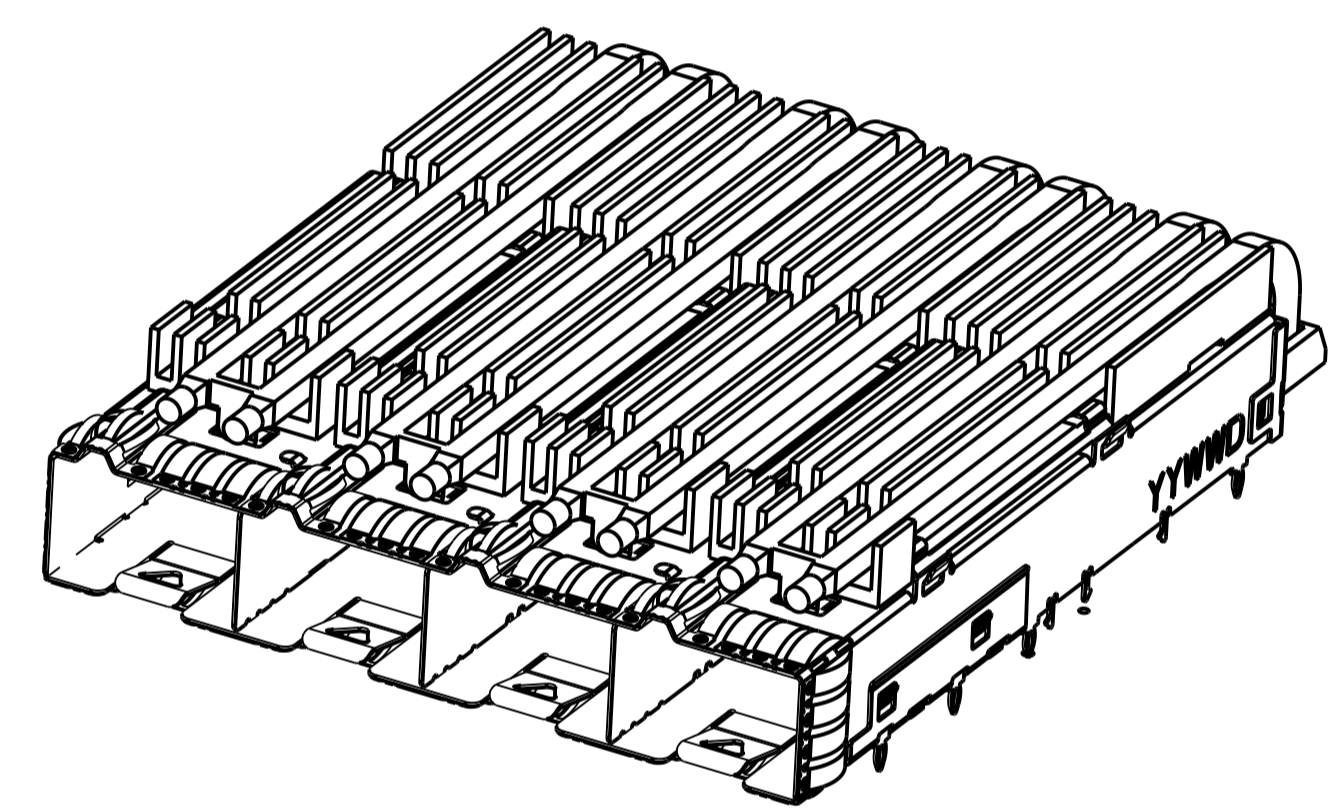
NAME: SFPDD 1X4 CAGE ASSEMBLY W/LP HS PRESS-FIT, EXTERNAL EMI SPRINGS. SIZE: A1, CAGE CODE: 00779, DRAWING NO: 2356208. RESTRICTED TO: .

CUSTOMER DRAWING. SCALE: 1:1, SHEET: 1 OF 6, REV: A.

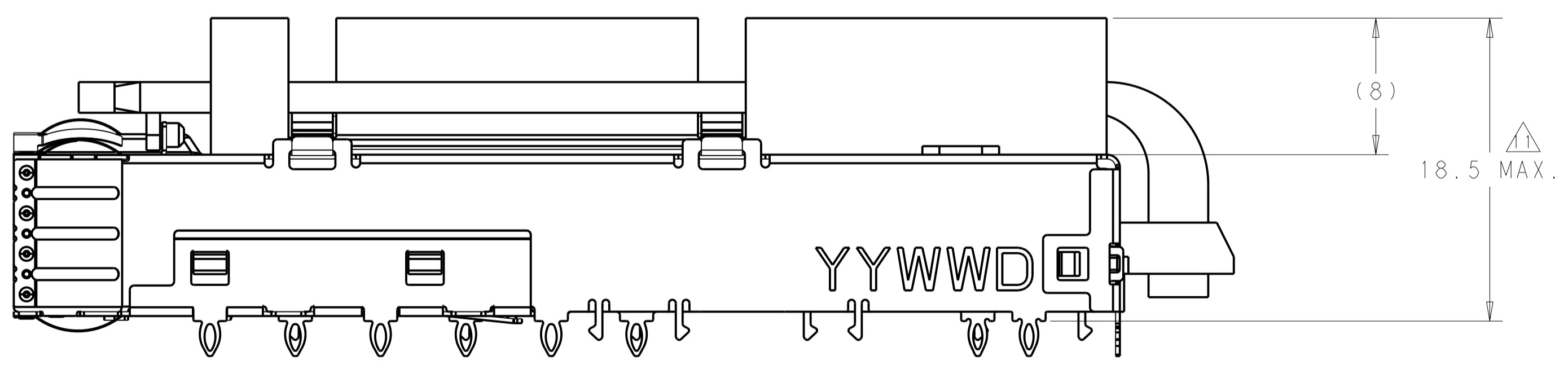
LOC		DIST		REVISIONS			
GP	00	P	LYR	DESCRIPTION	DATE	DWN	APVD
		-		SEE SHEET 1			



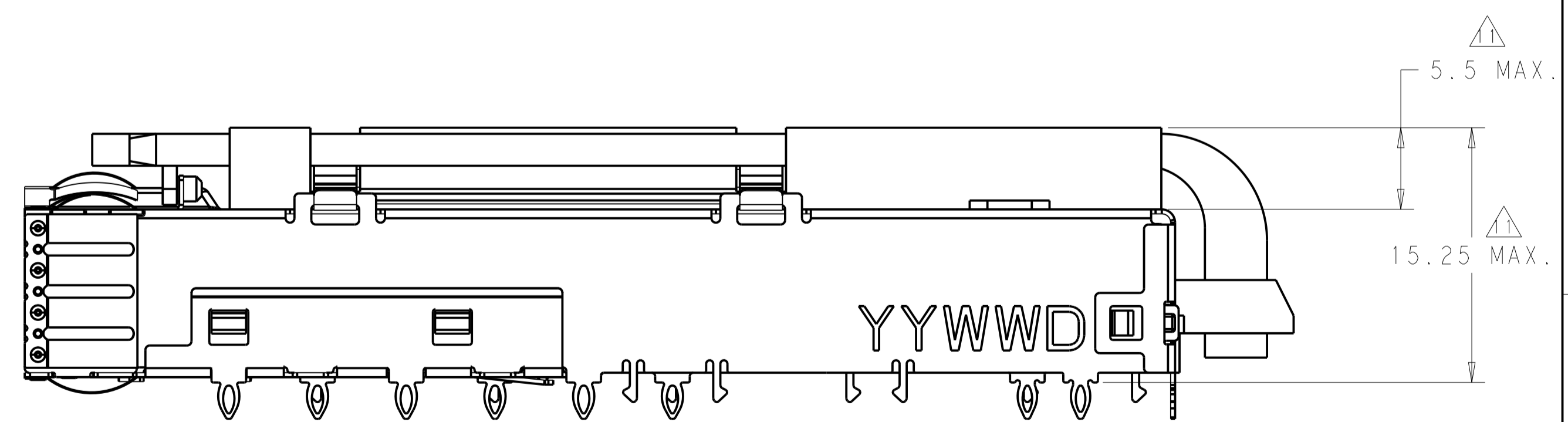
2356208-2 AS SHOWN
SCALE 2:1



2356208-3 AS SHOWN
SCALE 2:1



2356208-2 AS SHOWN
UNSPECIFIED DIMENSION SAME AS -1
SCALE 4:1

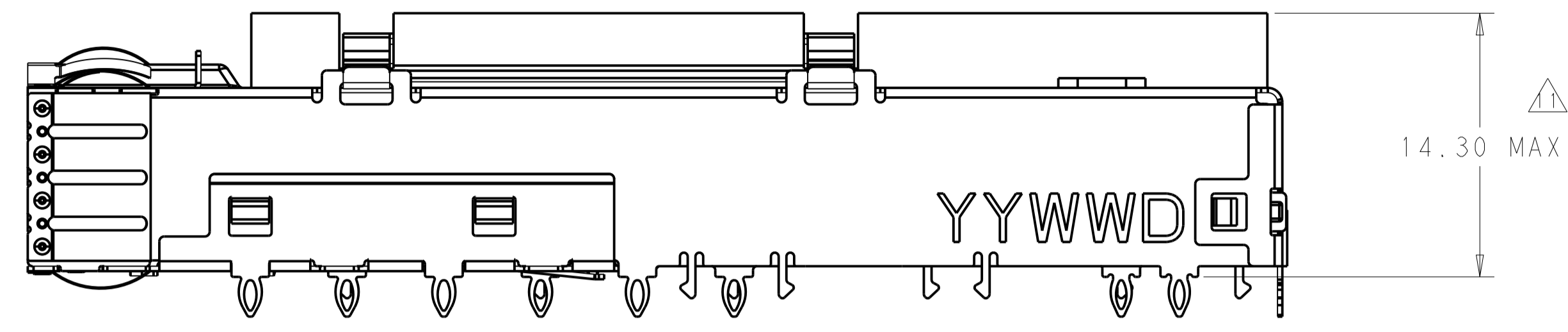
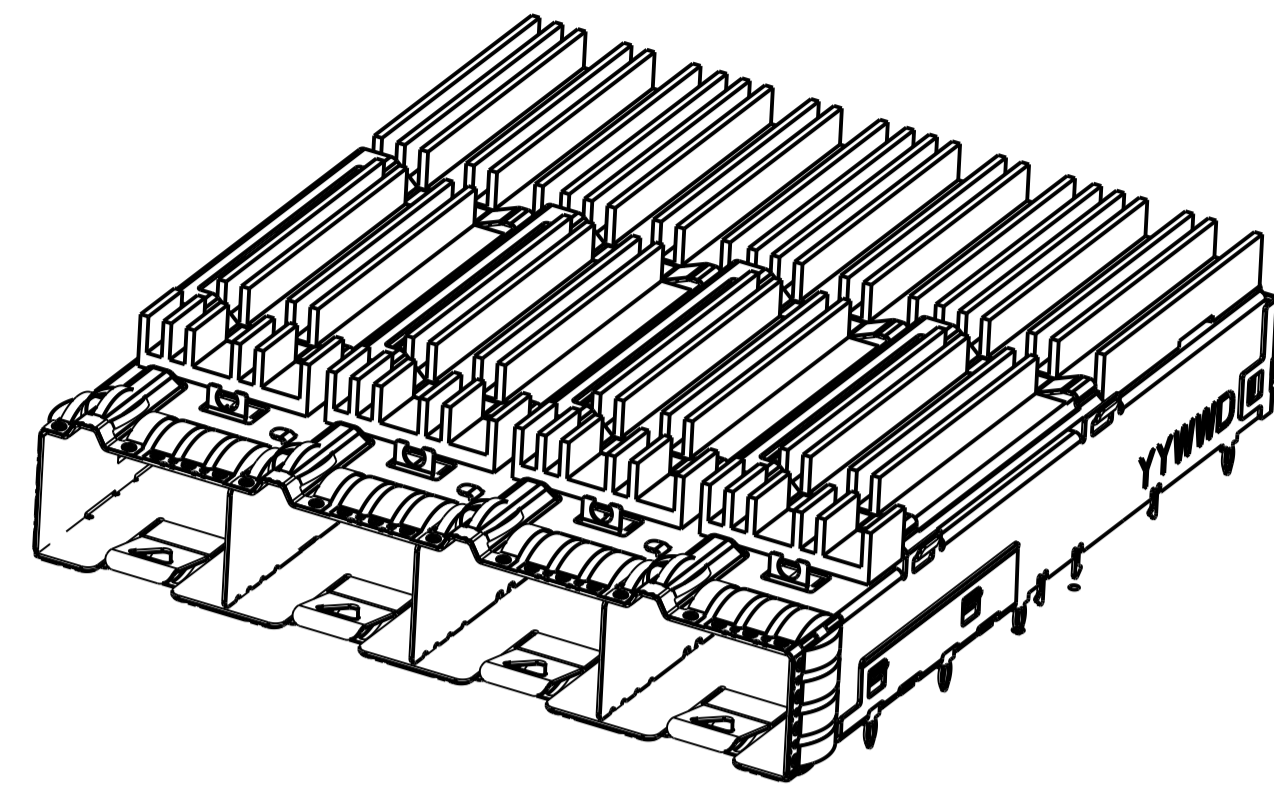


2356208-3 AS SHOWN
UNSPECIFIED DIMENSION SAME AS -1
SCALE 4:1

THIS DRAWING IS A CONTROLLED DOCUMENT.		OWN: VINDY LIU 08MAY2019	TE Connectivity
DIMENSIONS: mm		CHK: SEAN HAN 08MAY2019	
TOLERANCES UNLESS OTHERWISE SPECIFIED:		APVD:	NAME: SFPDD 1X4 CAGE ASSEMBLY W/LP HS PRESS-FIT, EXTERNAL EMI SPRINGS
0 PLC	±0.25	PRODUCT SPEC	SIZE: A1
1 PLC	±0.25	APPLICATION SPEC	CAGE CODE: 108-60128
2 PLC	±0.20	APPLIC. SPEC	DRAWING NO: 114-60027
3 PLC	±0.20	WEIGHT	RESTRICTED TO
4 PLC	±0.20	FINISH	A100779C=2356208
ANGLES	±	CUSTOMER DRAWING	SCALE: 1:1 SHEET 2 OF 6 REV A

LOC	DIST	REV	DATE	BY	APPV
GP	00				

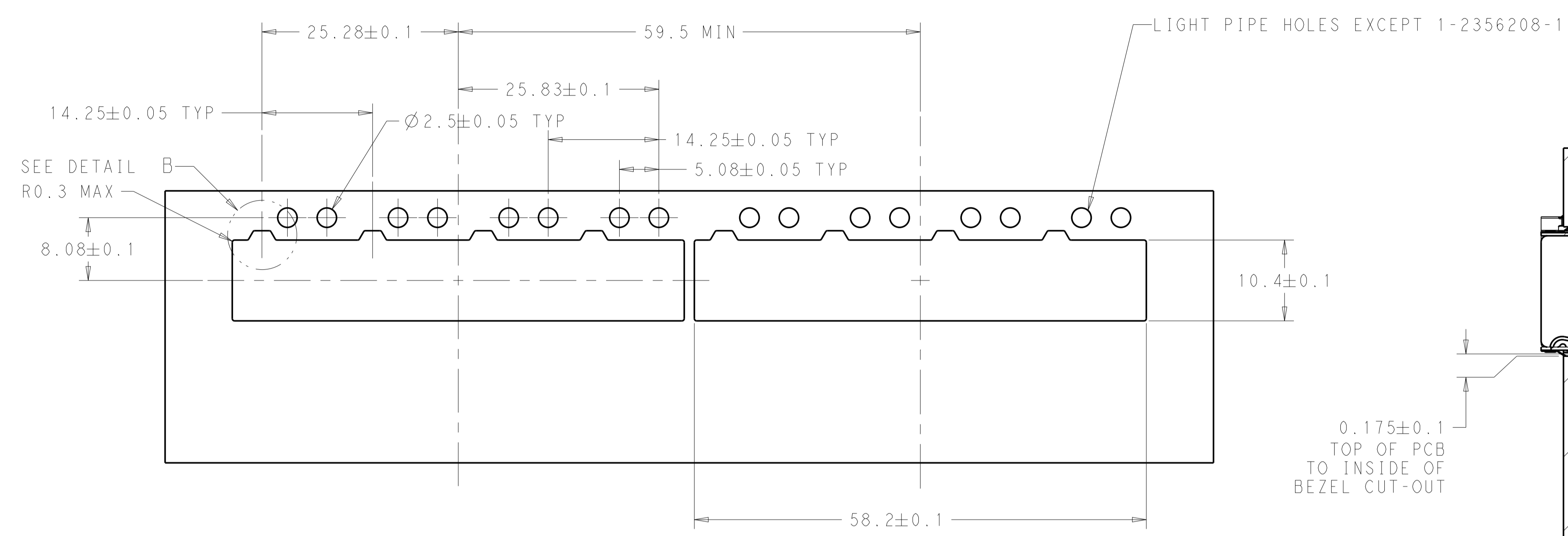
REVISIONS					
REV	DATE	DESCRIPTION	DATE	BY	APPV
-	-	SEE SHEET 1	-	-	-



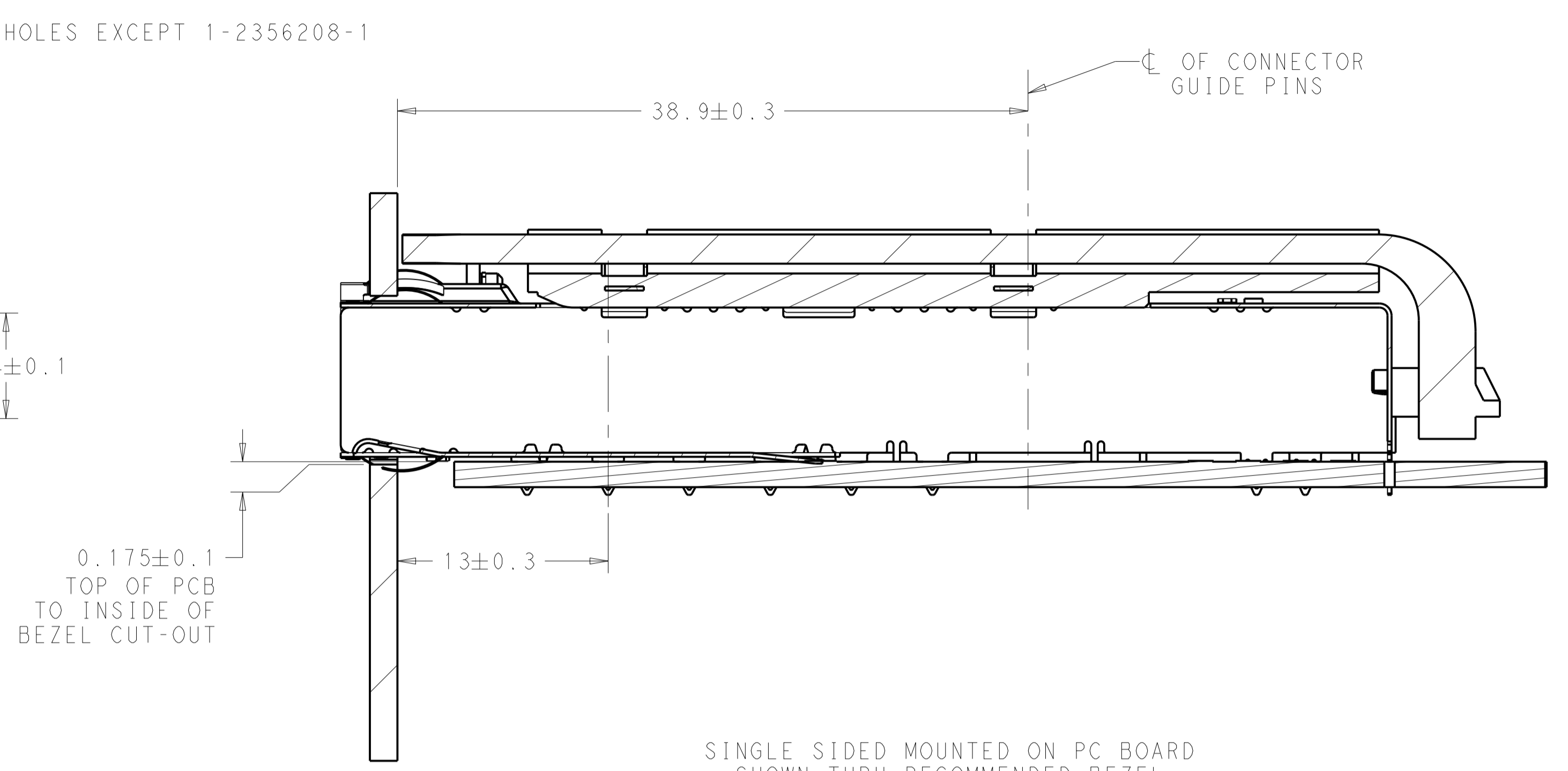
1-2356208-1 SAME AS 2356208-1 EXCEPT WITHOUT LP
 SCALE 2:1

THIS DRAWING IS A CONTROLLED DOCUMENT.		DWN: WINDY LIU 08MAY2019 CHK: SEAN HAN 08MAY2019 APVD:	TE Connectivity
DIMENSIONS: mm	TOLERANCES UNLESS OTHERWISE SPECIFIED: 0 PLC ±0.25 1 PLC ±0.25 2 PLC ±0.20 3 PLC ±0.20 4 PLC ±0.20 ANGLES ±	PRODUCT SPEC: 108-60128 APPLICATION SPEC: 114-60027 WEIGHT:	
MATERIAL:	FINISH:	CUSTOMER DRAWING SCALE: 1:1 SHEET: 3 OF 6 REV: A	RESTRICTED TO:

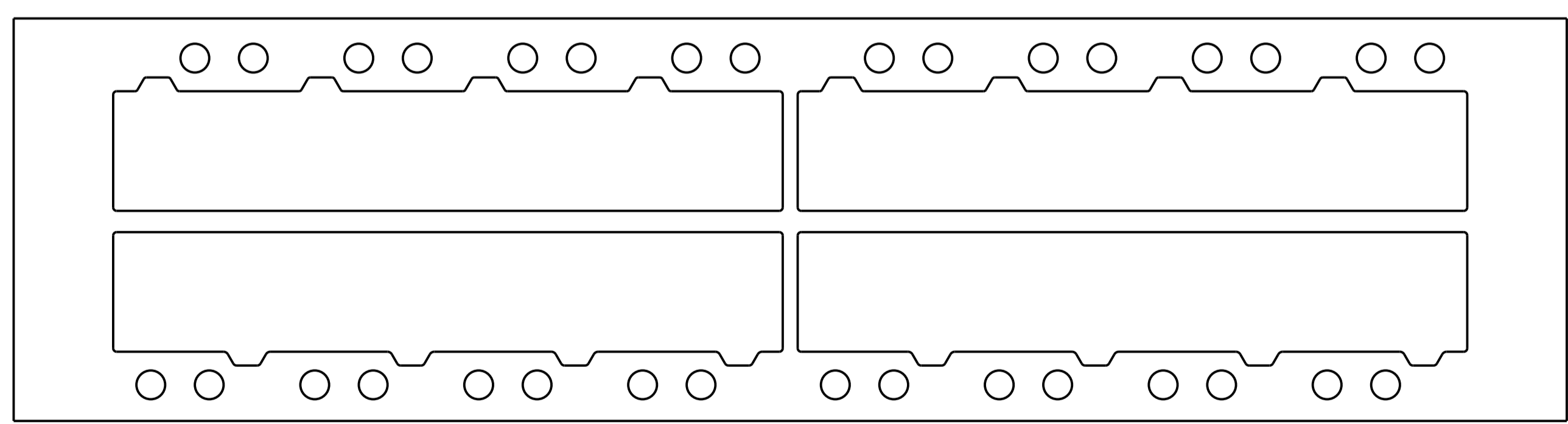
LOC		DIST		REVISIONS			
GP	00	REV	DATE	DESCRIPTION	DATE	OWN	APVD
-	-	-	-	SEE SHEET 1	-	-	-



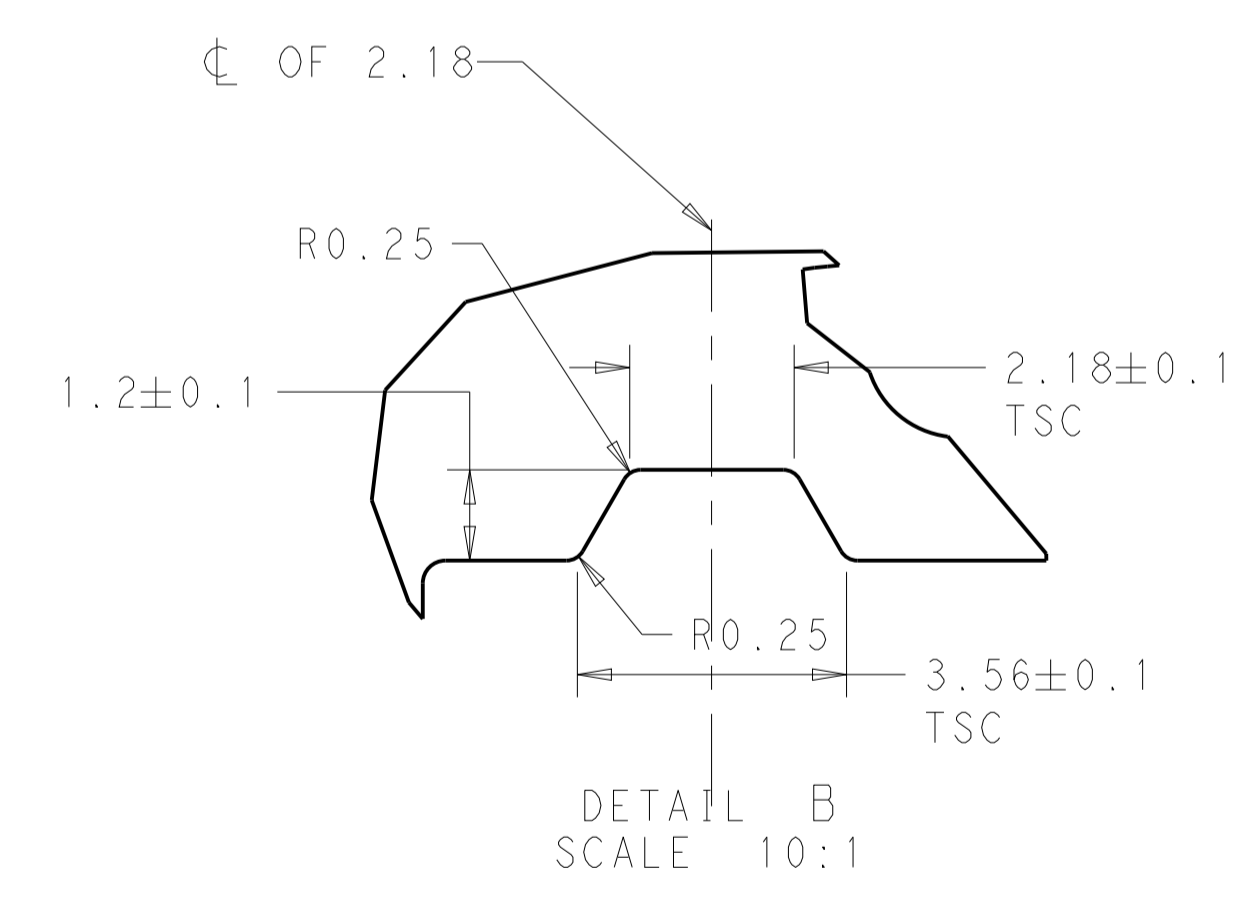
RECOMMENDED BEZEL CUT-OUT
 SINGLE SIDED APPLICATIONS
 SCALE 5:2



SINGLE SIDED MOUNTED ON PC BOARD
 SHOWN THRU RECOMMENDED BEZEL
 SECTION BEZEL-BEZEL
 SCALE 4:1



RECOMMENDED BEZEL CUT-OUT
 BELLY TO BELLY APPLICATIONS
 SCALE 5:2

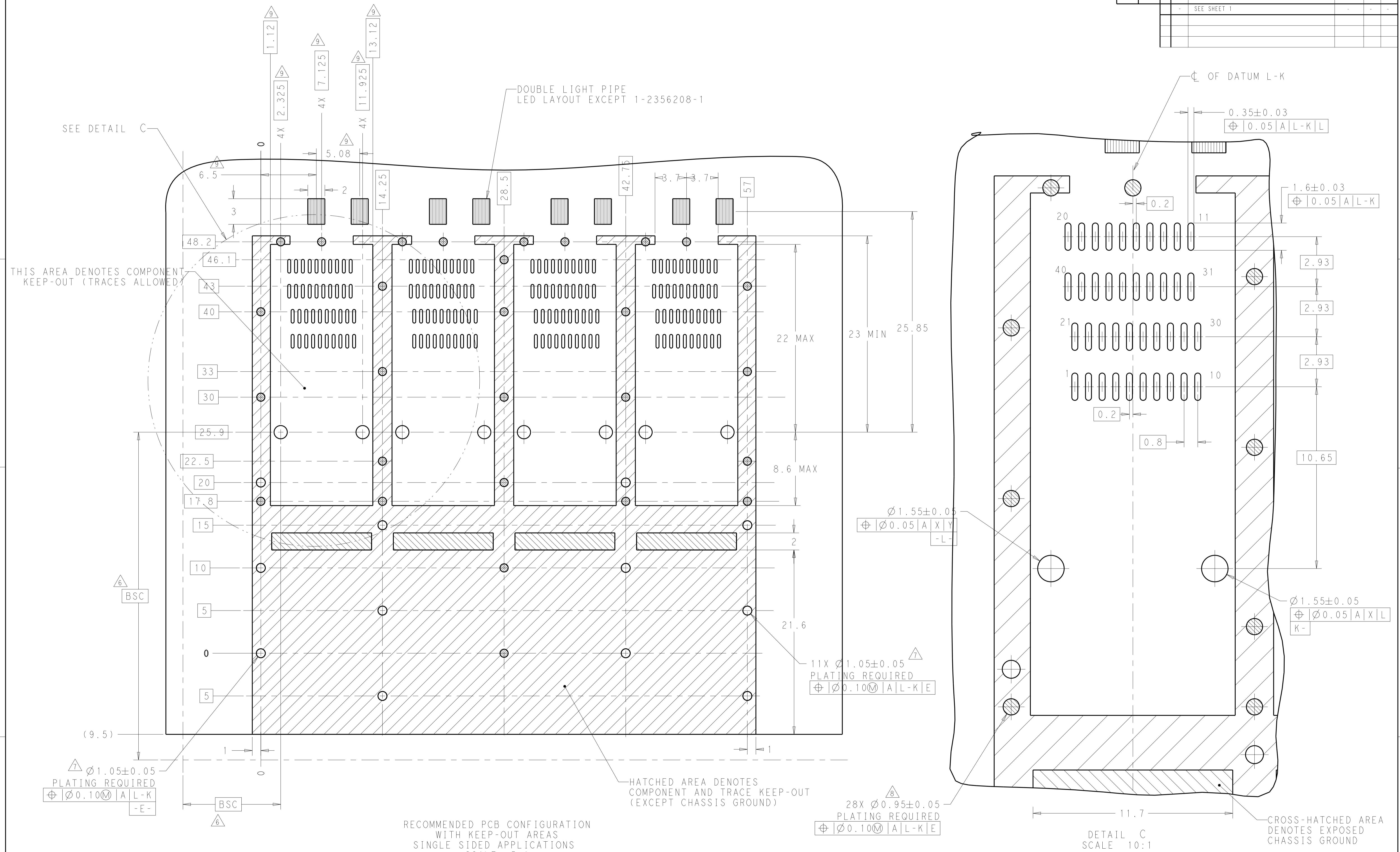


DETAIL B
 SCALE 10:1

THIS DRAWING IS A CONTROLLED DOCUMENT.		OWN: VINDY LIU 08MAY2019	TE Connectivity
		CHK: SEAN HAN 08MAY2019	
DIMENSIONS:		APVD:	NAME:
mm	0 PLC ±0.25 1 PLC ±0.25 2 PLC ±0.20 3 PLC ±0.20 4 PLC ±	PRODUCT SPEC: 108-60128	SFPDD 1X4 CAGE ASSEMBLY W/LP HS PRESS-FIT, EXTERNAL EMI SPRINGS
TOLERANCES UNLESS OTHERWISE SPECIFIED:		APPLICATION SPEC:	RESTRICTED TO:
ANGLES: ±		114-60027	SIZE: A1
MATERIAL:		WEIGHT:	CAGE CODE: 00779
FINISH:		CUSTOMER DRAWING	DRAWING NO: 2356208
		SCALE: 1:1	SHEET 4 OF 6
			REV: A

LOC	DIST	REV	DATE	APPD
GP	00			

REVISIONS				
NO.	DESCRIPTION	DATE	BY	APPD
-	SEE SHEET 1	-	-	-



RECOMMENDED PCB CONFIGURATION WITH KEEP-OUT AREAS
 SINGLE SIDED APPLICATIONS
 SCALE 5:1

DETAIL C
 SCALE 10:1

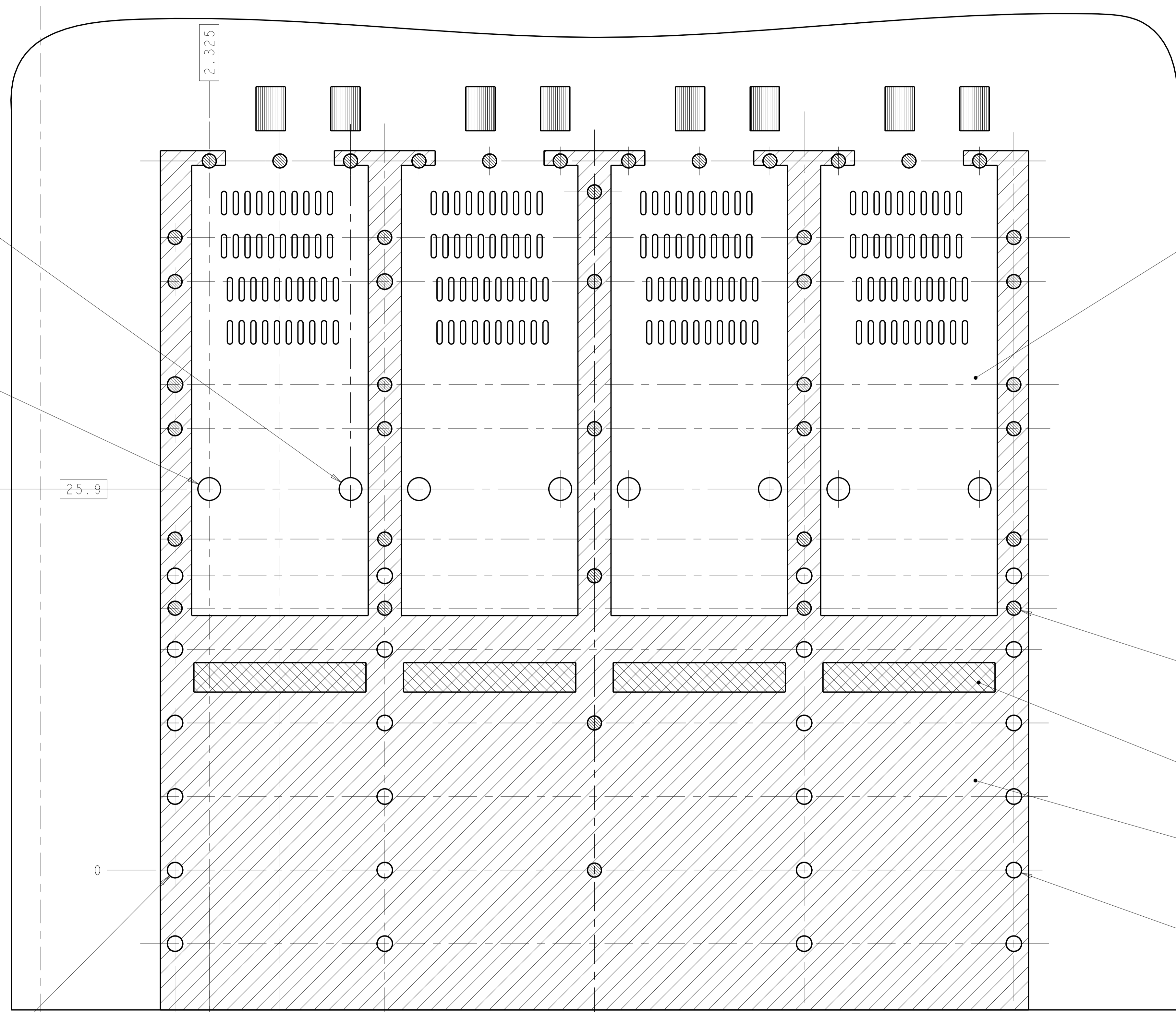
THIS DRAWING IS A CONTROLLED DOCUMENT.

DIMENSIONS:	TOLERANCES UNLESS OTHERWISE SPECIFIED:	OWN: WINDY LIU 08MAY2019	NAME: SFPDD 1X4 CAGE ASSEMBLY W/LP HS PRESS-FIT, EXTERNAL EMI SPRINGS
mm	0 PLC ±0.25	CHK: SEAN HAN 08MAY2019	PRODUCT SPEC: 108-60128
	1 PLC ±0.25	APVD:	APPLICATION SPEC:
	2 PLC ±0.20		SIZE: CAGE CODE DRAWING NO:
	3 PLC ±0.20		RESTRICTED TO:
	4 PLC ±0.20		A100779C=2356208
	5 PLC ±0.20		
	6 PLC ±0.20		
	7 PLC ±0.20		
	8 PLC ±0.20		
	9 PLC ±0.20		
	10 PLC ±0.20		
	11 PLC ±0.20		
	12 PLC ±0.20		
	13 PLC ±0.20		
	14 PLC ±0.20		
	15 PLC ±0.20		
	16 PLC ±0.20		
	17 PLC ±0.20		
	18 PLC ±0.20		
	19 PLC ±0.20		
	20 PLC ±0.20		
	21 PLC ±0.20		
	22 PLC ±0.20		
	23 PLC ±0.20		
	24 PLC ±0.20		
	25 PLC ±0.20		
	26 PLC ±0.20		
	27 PLC ±0.20		
	28 PLC ±0.20		
	29 PLC ±0.20		
	30 PLC ±0.20		
	31 PLC ±0.20		
	32 PLC ±0.20		
	33 PLC ±0.20		
	34 PLC ±0.20		
	35 PLC ±0.20		
	36 PLC ±0.20		
	37 PLC ±0.20		
	38 PLC ±0.20		
	39 PLC ±0.20		
	40 PLC ±0.20		
	41 PLC ±0.20		
	42 PLC ±0.20		
	43 PLC ±0.20		
	44 PLC ±0.20		
	45 PLC ±0.20		
	46 PLC ±0.20		
	47 PLC ±0.20		
	48 PLC ±0.20		
	49 PLC ±0.20		
	50 PLC ±0.20		
	51 PLC ±0.20		
	52 PLC ±0.20		
	53 PLC ±0.20		
	54 PLC ±0.20		
	55 PLC ±0.20		
	56 PLC ±0.20		
	57 PLC ±0.20		
	58 PLC ±0.20		
	59 PLC ±0.20		
	60 PLC ±0.20		
	61 PLC ±0.20		
	62 PLC ±0.20		
	63 PLC ±0.20		
	64 PLC ±0.20		
	65 PLC ±0.20		
	66 PLC ±0.20		
	67 PLC ±0.20		
	68 PLC ±0.20		
	69 PLC ±0.20		
	70 PLC ±0.20		
	71 PLC ±0.20		
	72 PLC ±0.20		
	73 PLC ±0.20		
	74 PLC ±0.20		
	75 PLC ±0.20		
	76 PLC ±0.20		
	77 PLC ±0.20		
	78 PLC ±0.20		
	79 PLC ±0.20		
	80 PLC ±0.20		
	81 PLC ±0.20		
	82 PLC ±0.20		
	83 PLC ±0.20		
	84 PLC ±0.20		
	85 PLC ±0.20		
	86 PLC ±0.20		
	87 PLC ±0.20		
	88 PLC ±0.20		
	89 PLC ±0.20		
	90 PLC ±0.20		
	91 PLC ±0.20		
	92 PLC ±0.20		
	93 PLC ±0.20		
	94 PLC ±0.20		
	95 PLC ±0.20		
	96 PLC ±0.20		
	97 PLC ±0.20		
	98 PLC ±0.20		
	99 PLC ±0.20		
	100 PLC ±0.20		

CUSTOMER DRAWING SCALE 1:1 SHEET 5 OF 6 REV A

LOC	DIST	REV	DATE	BY	APPV
GP	00				

REVISIONS					
REV	DATE	BY	APPV	DESCRIPTION	DATE
-	-	-	-	SEE SHEET 1	-



$\varnothing 1.55 \pm 0.05$
 $\varnothing 0.05$ | A | X | L
 -K-

$\varnothing 1.55 \pm 0.05$
 $\varnothing 0.05$ | A | X | Y
 -L-

$\varnothing 1.05 \pm 0.05$
 PLATING REQUIRED
 $\varnothing 0.10$ | A | L - K | E
 -E-

THIS AREA DENOTES COMPONENT KEEP-OUT (TRACES ALLOWED)

42X $\varnothing 0.95 \pm 0.05$
 PLATING REQUIRED
 $\varnothing 0.10$ | A | L - K | E

CROSS-HATCHED AREA DENOTES EXPOSED CHASSIS GROUND

HATCHED AREA DENOTES COMPONENT AND TRACE KEEP-OUT (EXCEPT CHASSIS GROUND)

23X $\varnothing 1.05 \pm 0.05$
 PLATING REQUIRED
 $\varnothing 0.10$ | A | L - K | E

RECOMMENDED PCB CONFIGURATION WITH KEEP-OUTS FOR BELLY TO BELLY APPLICATIONS
 SAME AS SINGLE SIDE APPLICATION, EXCEPT AS SHOWN
 SCALE 6:1

THIS DRAWING IS A CONTROLLED DOCUMENT.		OWN: WINDY LIU 08MAY2019	TE Connectivity
		CHK: SEAN HAN 08MAY2019	
DIMENSIONS: mm		APVD:	NAME: SFPDD 1X4 CAGE ASSEMBLY W/LP HS PRESS-FIT, EXTERNAL EMI SPRINGS
TOLERANCES UNLESS OTHERWISE SPECIFIED:		PRODUCT SPEC: 108-60128	RESTRICTED TO:
0 PLC ± 0.25		APPLICATION SPEC:	
1 PLC ± 0.25		SIZE: 114-60027	
2 PLC ± 0.20		WEIGHT:	
3 PLC ± 0.20		CAGE CODE: A100779	
4 PLC ± 0.20		DRAWING NO: C=2356208	
ANGLES:		CUSTOMER DRAWING	
FINISH:		SCALE: 1:1	
		SHEET: 6 OF 6	
		REV: A	

X-ON Electronics

Largest Supplier of Electrical and Electronic Components

Click to view similar products for [I/O Connectors](#) category:

Click to view products by [TE Connectivity](#) manufacturer:

Other Similar products are found below :

[571763P](#) [D20419-211](#) [72.250.1628.2](#) [72.250.2428.2](#) [74720-0505](#) [76.350.0729.0](#) [76871-1403](#) [FCN-244F080-G/1](#) [FCN-260A9920](#) [MP-5T180MUNNA-005](#) [PCR-E36PM](#) [PCS-XE26MA+](#) [G38A71314B](#) [1571250010](#) [157-22500-3](#) [MS3471L14-19P L/C](#) [172501-4002](#) [172501-6002](#) [FCN-260C008-A/L0](#) [FCN-260C024-AL0](#) [FCN-261Z008](#) [2000314-1](#) [200331-1](#) [PCR-E36FC+](#) [PCS-E28FS+](#) [PCS-XE26SLFD+](#) [PCS-XE26SLFDT+](#) [G730VID08BDC24](#) [HDMR-29-01-S-SM-TR](#) [U90B2054081210](#) [UE86K842720321](#) [38113800006](#) [DP3AR020WQ1R200](#) [Z4.102.0680.0](#) [500-1040](#) [500-1052](#) [500-1054](#) [ZP-4008-66L](#) [0709821002](#) [5554841-1](#) [U90B3054061110](#) [U65-E04-4020](#) [ZPF00000000097891](#) [557-262M2-06C](#) [747360449](#) [10099439-003C-TRLF](#) [10137239-0021LF](#) [E9320-001-01](#) [10137239-0011LF](#) [70289-001LF](#)