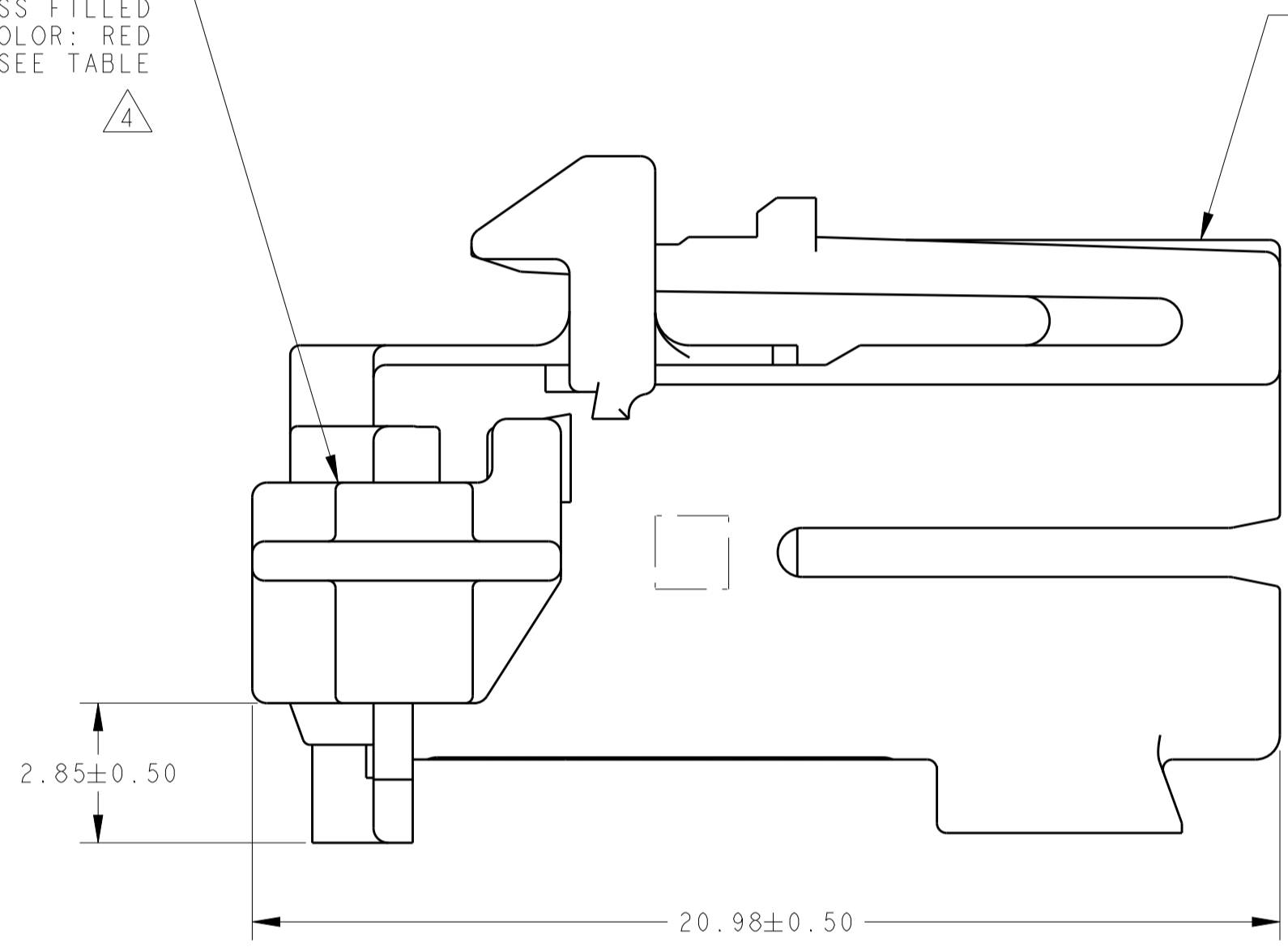
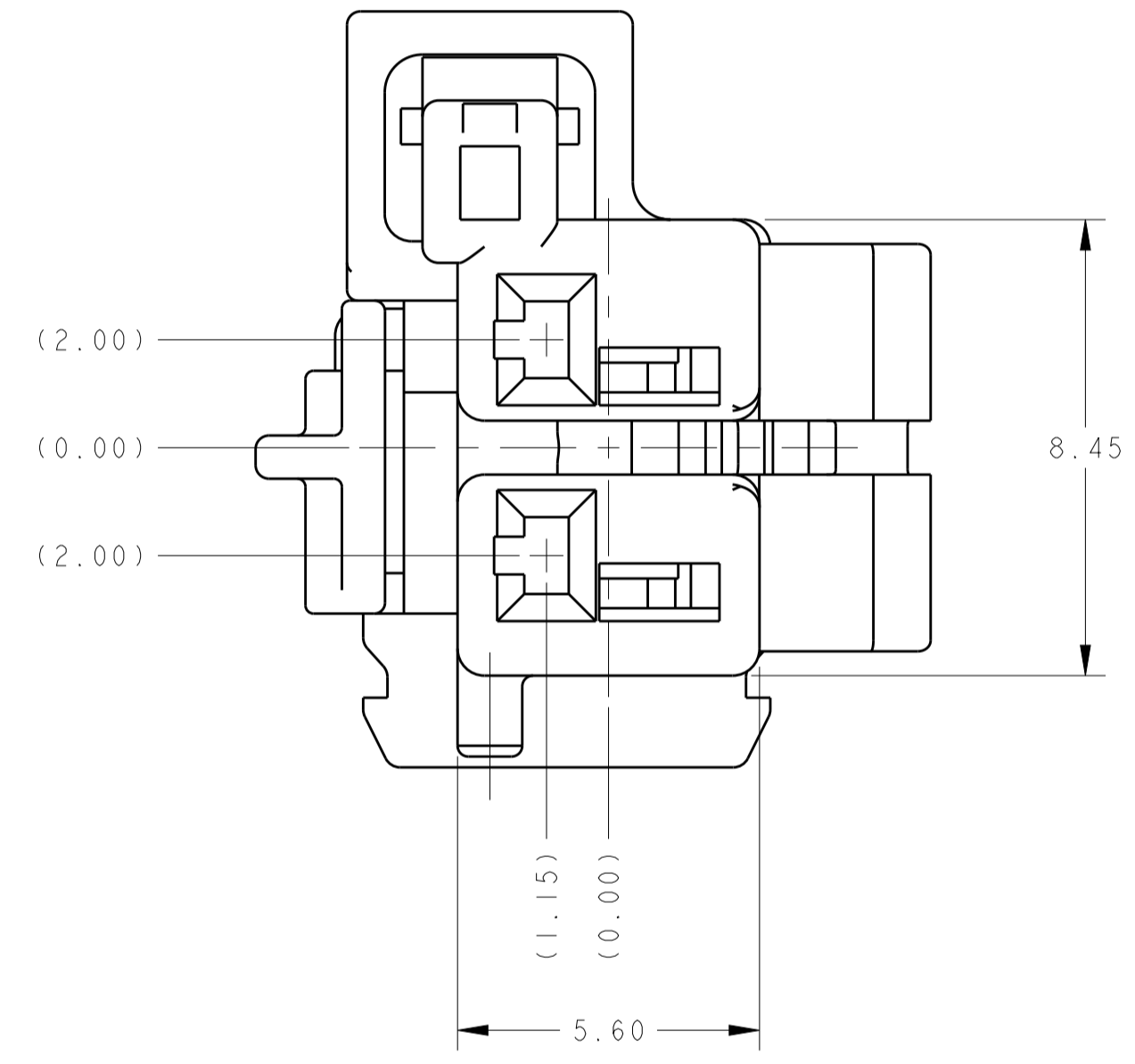


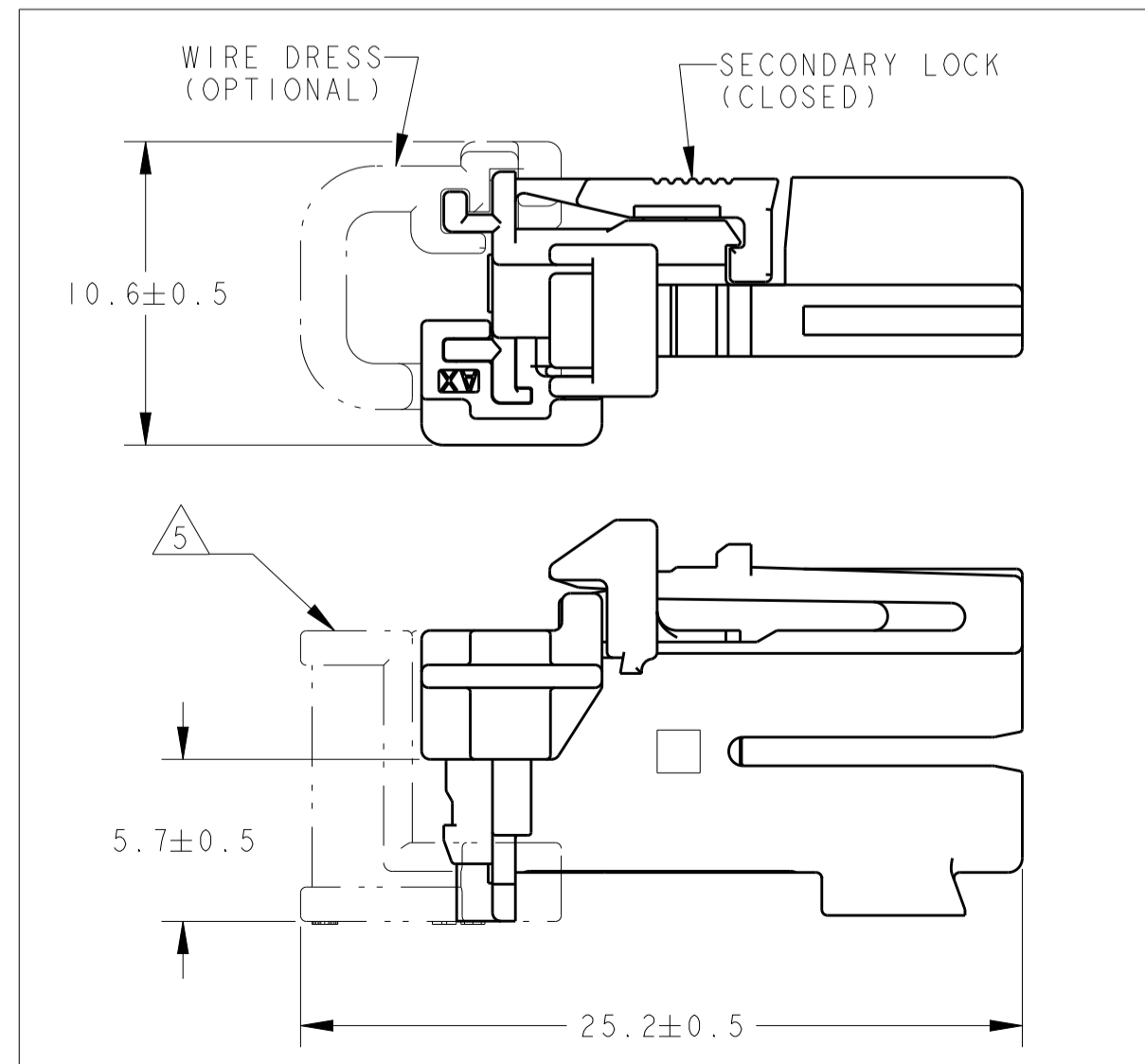
CPA (OPTIONAL),
MAT'L: PA46, 30% GLASS FILLED
COLOR: RED
QTY: SEE TABLE



PLUG HOUSING,
MAT'L: PA66, 25% GLASS FILLED
COLOR: SEE TABLE
QTY: 1



- 2356394-1 SHOWN IN GENERAL VIEWS.
 - PLUG ASSEMBLY WILL ACCEPT THE FOLLOWING TERMINAL PART NUMBERS: 1670144-1 (TIN PLATED) 0.50-0.75mm²
 - ASSEMBLY IS SHIPPED WITH SECONDARY LOCK IN THE PRE-LOCK POSITION AS SHOWN, SECONDARY LOCK MAY CLOSE INADVERTENTLY DURING SHIPPING IF THIS OCCURS, RELOCATE SECONDARY LOCK TO THE OPEN POSITION PRIOR TO INSERTION OF TERMINALS.
- 4 CPA SHOWN IN PRE-STAGED, AS SHIPPED, POSITION.
- 5 WIRE DRESS COVER IS NOT PART OF ASSEMBLY. IT IS SOLD AS A SEPARATE SALEABLE ITEM AS PART NUMBER 2203698-1.



CPA AND SECONDARY LOCK IN CLOSED POSITION WITH OPTIONAL WIRE DRESS (P/N 2203698-1)
SCALE 4:1

REVISIONS				
P.	LTN.	DESCRIPTION	DATE	APVD.
I		INITIAL DRAWING	24MAY2019	JMS GK
A		INITIAL RELEASE	04DEC2019	CN GK

HOUSING COLOR	CPA QTY	KEYING OPTION	PART NUMBER
GRAY	NA	D	2356394-8
GREEN	NA	C	2356394-7
BLUE	NA	B	2356394-6
NATURAL (BROWN)	NA	A	2356394-5
GRAY	I	D	2356394-4
GREEN	I	C	2356394-3
BLUE	I	B	2356394-2
NATURAL (BROWN)	I	A	2356394-1

THIS DRAWING IS A CONTROLLED DOCUMENT.

TE Connectivity

NAME: PLUG ASSEMBLY
2 POSN, 1.2mm MCON

SIZE: A1
SCALE: 8:1

RESTRICTED CUSTOMER

X-ON Electronics

Largest Supplier of Electrical and Electronic Components

Click to view similar products for [Automotive Connectors](#) category:

Click to view products by [TE Connectivity](#) manufacturer:

Other Similar products are found below :

[003-018-000](#) [60993906-B](#) [72.330.1035.1](#) [776880-1](#) [827153-1](#) [9-1326729-8](#) [9-221607-5](#) [925474-1](#) [928905-1](#) [964562-4](#) [968782-1](#) [12004468](#)
[12004475-L](#) [12004483](#) [12052466](#) [12066163](#) [12015909](#) [12077753](#) [1-21030-1](#) [12047957](#) [12047958](#) [12084688](#) [12185550](#) [12336-12](#) [1-](#)
[326211-1](#) [13681974](#) [13688972](#) [13755420](#) [13779834](#) [13783086](#) [13843152](#) [13522378](#) [13581967](#) [13669624](#) [13675513](#) [13753471](#) [13946876](#)
[13953457](#) [13955963](#) [13964573](#) [13971791](#) [13790534-L](#) [13797473](#) [13805590](#) [13888202](#) [1428188-1](#) [1437287-3](#) [1428188-2](#) [DS07-19S-5020](#)
[1456983-5](#)