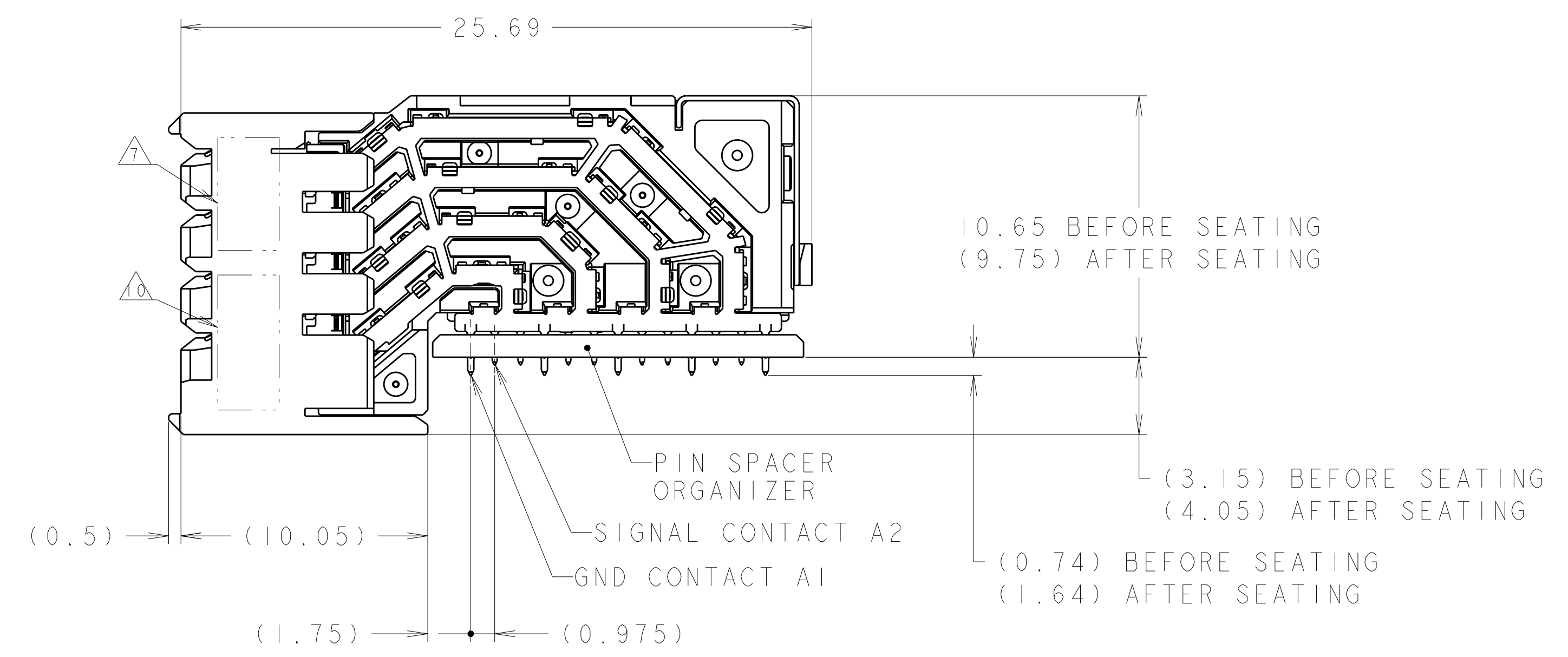
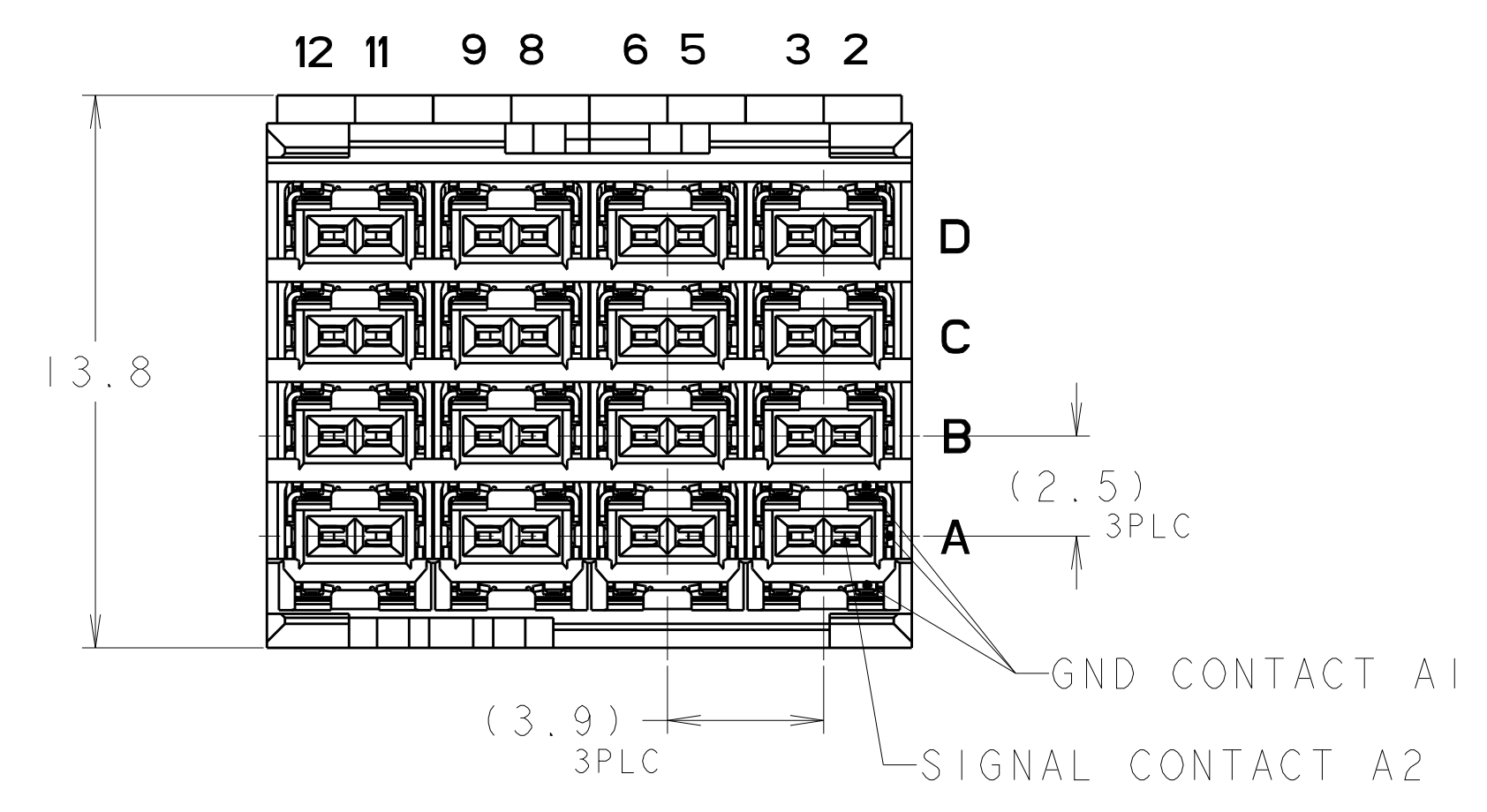
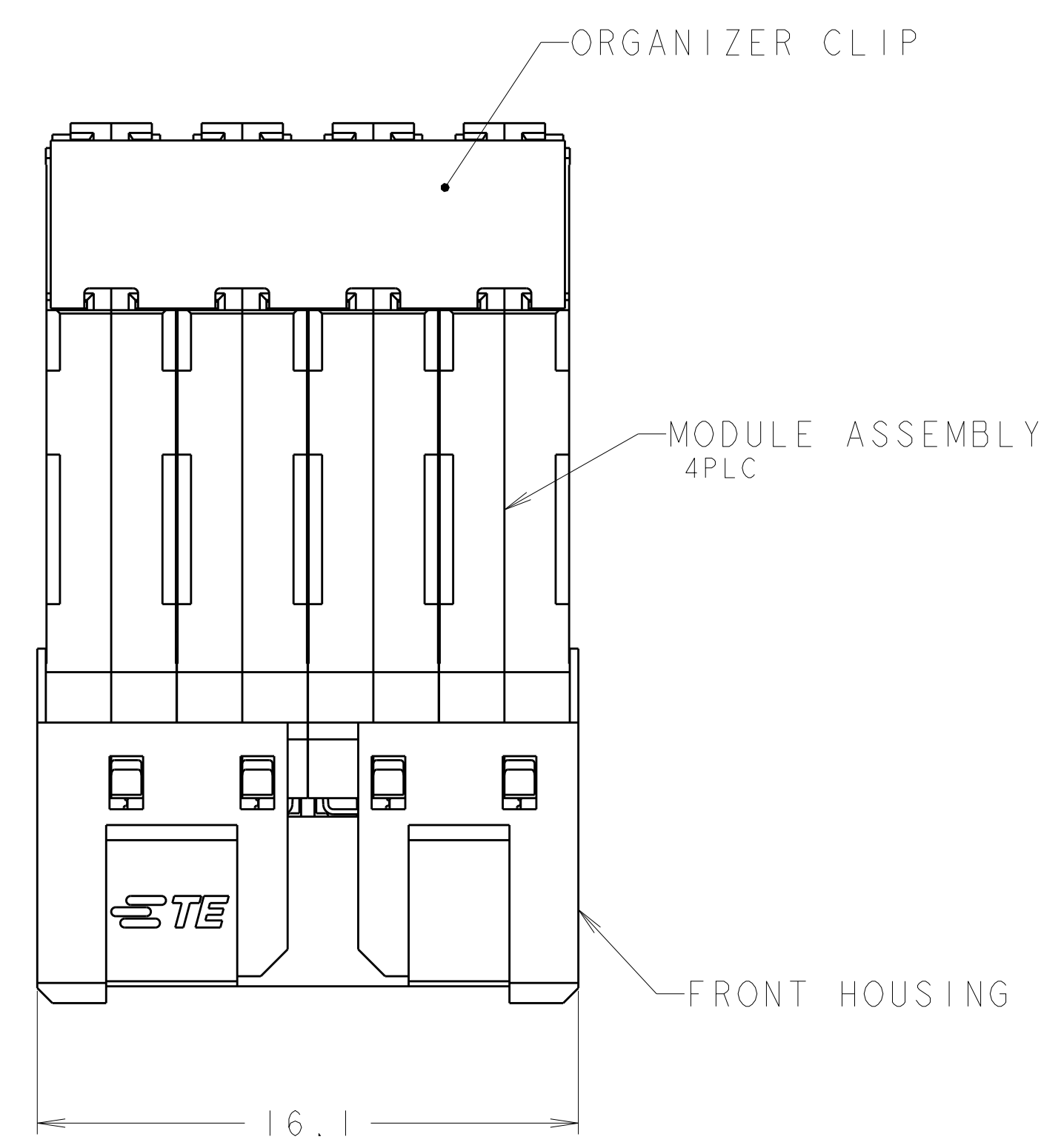


REVISIONS				
P.	LTN	DESCRIPTION	DATE	DWN APVD
A		RELEASED	16DEC2019	Y.K T.M
A1		REVISED	24DEC2019	Y.K T.M

- △ CONTACTS AND SHIELDS - COPPER ALLOY  
 ORGANIZER - STAINLESS STEEL  
 HOUSING AND PIN SPACER - THERMOPLASTIC, UL 94V-0, BLACK
- △ FINISH:  
 CONFORMS TO THE REQUIREMENTS OF TE PRODUCT SPECIFICATION 108-140186  
 BASED ON TELCORDIA GR-1217-CORE FOR SYSTEM QUALITY LEVEL III,  
 APPLICATIONS IN CONTROLLED ENVIRONMENTS (CENTRAL OFFICE).  
 COMPLIANT PIN AREA : 0.5um MIN MATTE TIN.
- △ GROUND PLATED THRU HOLE REQUIREMENTS:  
 FINISHED HOLE =  $\varnothing 0.37 \pm 0.05$   
 HOLE SIZE PRIOR TO PLATING =  $\varnothing 0.450 \pm 0.025$   
 COPPER THICKNESS = 0.025 MIN  
 IMMERSION TIN IF APPLICABLE = (0.00095)
- △ SIGNAL PLATED THRU HOLE REQUIREMENTS:  
 FINISHED HOLE =  $\varnothing 0.29 \pm 0.05$   
 HOLE SIZE PRIOR TO PLATING =  $\varnothing 0.368 \pm 0.025$  (#79 DRILL)  
 COPPER THICKNESS = 0.025 MIN  
 IMMERSION TIN IF APPLICABLE = (0.00095)
- △ SI VIA PLATED THRU HOLE REQUIREMENTS:  
 FINISHED HOLE = AS REQUIRED  
 HOLE SIZE PRIOR TO PLATING =  $\varnothing 0.254 \pm 0.025$   
 COPPER THICKNESS = 0.025 MIN  
 IMMERSION TIN IF APPLICABLE = (0.00095)
- △ SIGNAL HOLES AND SI VIAS:  
 PTH DIMMENSIONS APPLY TO THE TOP 1.00mm OF THE PCB THICKNESS FROM THE  
 CONNECTOR MOUNTING SIDE.  
 GROUND HOLES:  
 PTH DIMMENSIONS APPLY TO THE TOP 1.25mm OF THE PCB THICKNESS FROM THE  
 CONNECTOR MOUNTING SIDE.
- △ CONNECTOR MARKED WITH PART NUMBER, DATE CODE, AND "92 OHM" IN  
 APPROXIMATE AREA SHOWN.
- △ DATUMS AND BASIC DIMENSIONS ESTABLISHED BY CUSTOMER
- △ APPLIES TO FINISHED HOLE DIAMETER
- △ DATAMATRIX BARCODE MARKING IN THIS AREA.

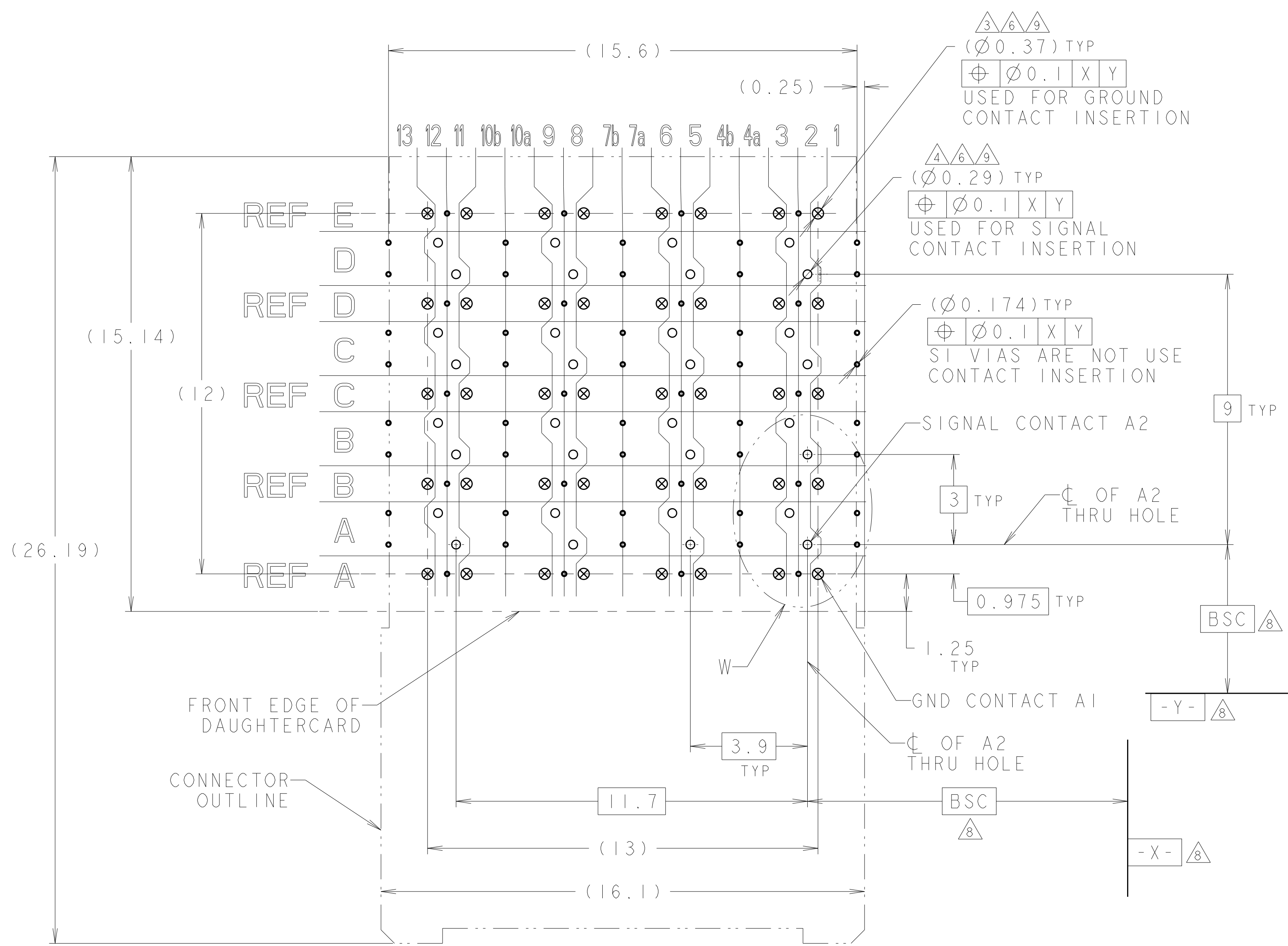


2356426-1  
 PART NO

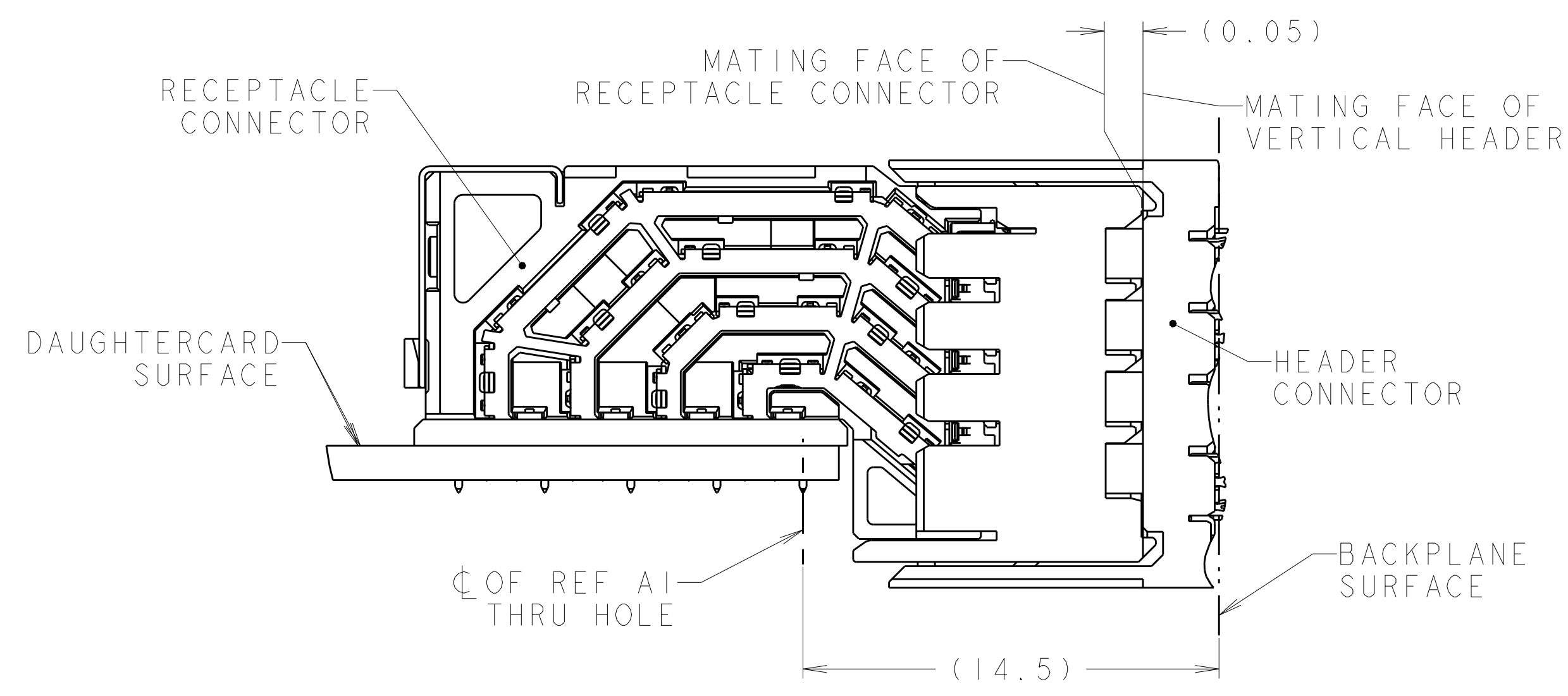
THIS DRAWING IS A CONTROLLED DOCUMENT.		DWN Y. KODAIRA 13MAY2019	TE Connectivity	
DIMENSIONS:		CHK M. IWASAKI 13MAY2019	NAME RIGHT ANGLE RECEPTACLE ASSEMBLY	
TOLERANCES UNLESS OTHERWISE SPECIFIED:		APVD T. MATSUDAIRA 13MAY2019	4 PAIR 4 COLUMN, 92 OHM, PAIR-IN-ROW, STRADA WHISPER R	
mm	0 PLC ±0.3 1 PLC ±0.3 2 PLC ±0.3 3 PLC ±0.3 4 PLC ±0.3	PRODUCT SPEC 108-140186	SIZE A1	RESTRICTED TO
MATERIAL		APPLICATION SPEC 114-32029	CAGE CODE 0079	DRAWING NO C-2356426
FINISH		WEIGHT	SCALE 6:1	SHEET 1 OF 2
CUSTOMER DRAWING		REVISIONS	REV A1	

○ = SIGNAL  
 ⊗ = GROUND  
 ⊙ = SIGNAL INTEGRITY VIA TO GROUND

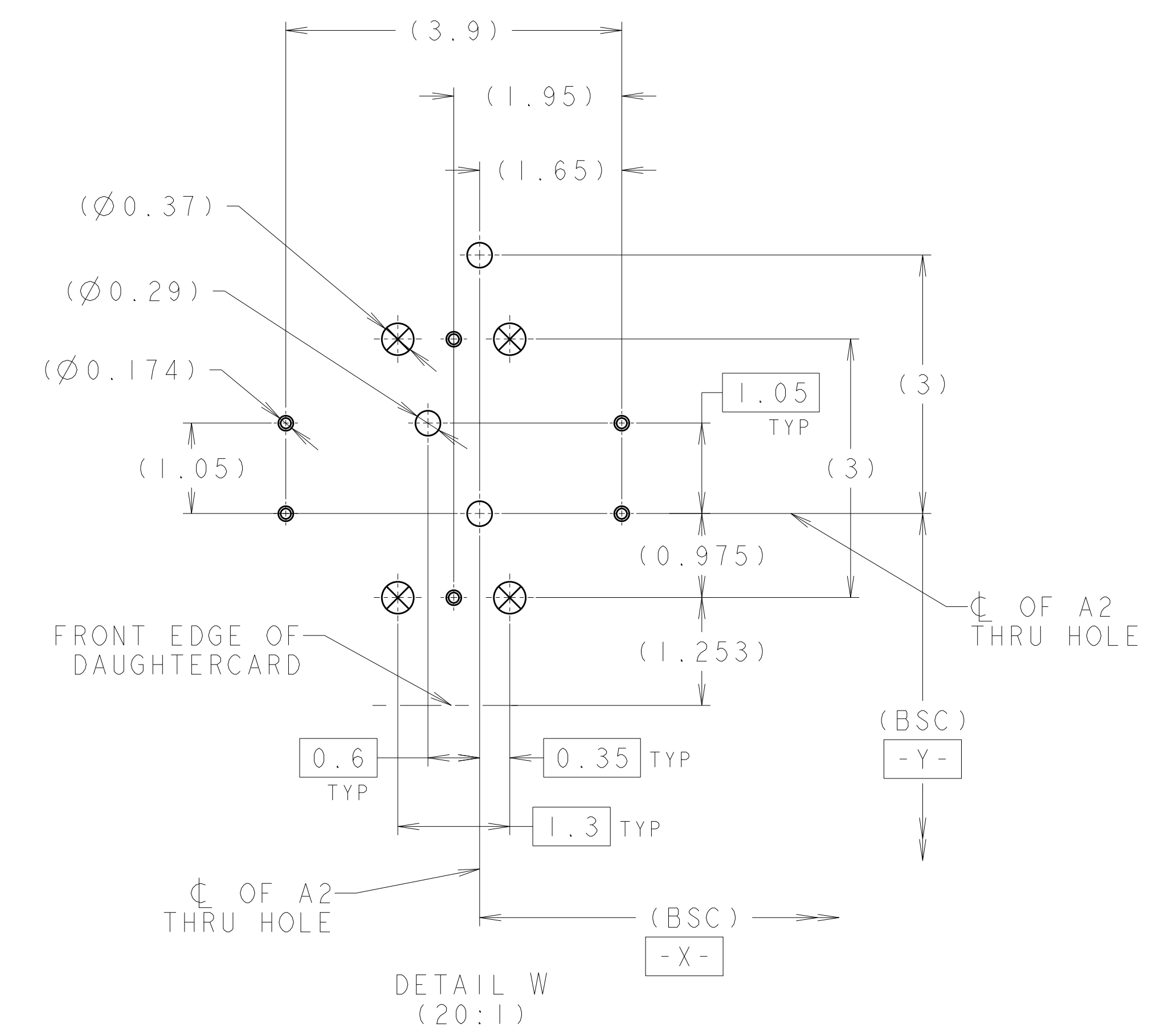
REVISIONS				
P.	LTN.	DESCRIPTION	DATE	APVD.
		SEE SHEET 1		



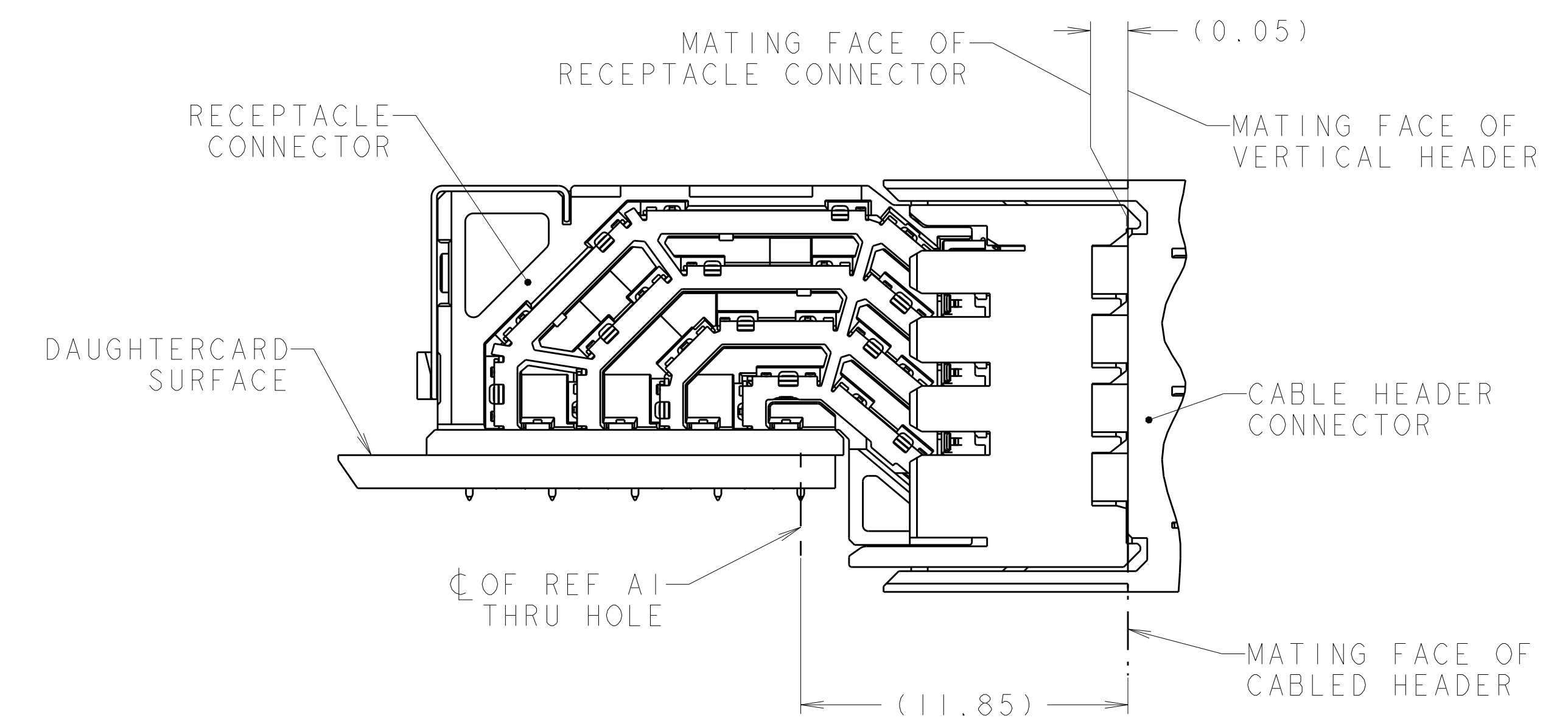
RECOMMENDED PCB LAYOUT  
 COMPONENT SIDE SHOWN  
 SCALE 10:1



MIDPLANE APPLICATIONS  
 MATED ASSEMBLY (PARTIAL VIEW)



DETAIL W  
 (20:1)



CABLED HEADER APPLICATIONS  
 MATED ASSEMBLY (PARTIAL VIEW)

THIS DRAWING IS A CONTROLLED DOCUMENT.		DWN	<b>TE</b> TE Connectivity	
DIMENSIONS: mm		CHK		
TOLERANCES UNLESS OTHERWISE SPECIFIED:		APVD	NAME	
0 PLC	±0.3	PRODUCT SPEC	RIGHT ANGLE RECEPTACLE ASSEMBLY	
1 PLC	±0.3	APPLICATION SPEC	4 PAIR 4 COLUMN, 92 OHM,	
2 PLC	±0.3	WEIGHT	PAIR-IN-ROW, STRADA WHISPER R	
3 PLC	±0.3	CUSTOMER DRAWING	SIZE	RESTRICTED TO
4 PLC	±0.3		A1	0079 C=C-2356426
ANGLES	±0.3		SCALE	5:1
FINISH	±0.3		SHEET	2 OF 2
			REV	A1

## X-ON Electronics

Largest Supplier of Electrical and Electronic Components

*Click to view similar products for [High Speed/Modular Connectors](#) category:*

*Click to view products by [TE Connectivity](#) manufacturer:*

Other Similar products are found below :

[650827-1](#) [74040-1346](#) [1410191-1](#) [1410368-3](#) [1410964-2](#) [1410326-3](#) [1410367-3](#) [1410971-4](#) [1467833-1](#) [2000877-1](#) [2000878-1](#) [2041314-1](#)  
[2065387-1](#) [2187307-1](#) [163P](#) [1934290-1](#) [2000875-1](#) [2065917-1](#) [2102736-2](#) [FSR-40](#) [2169868-2](#) [22354-8](#) [437-5040-000](#) [5-1393565-0](#) [039-](#)  
[0246-000](#) [0740618502](#) [0761601016](#) [0784461022](#) [10123159-12ELF](#) [030-2415-003/100 PK](#) [030-7380-004](#) [030-2494-001](#) [532939-1](#) [5532901-](#)  
[3](#) [3-1469268-7](#) [74748-102LF](#) [10041743-101LF](#) [10066670-100002LF](#) [1-533915-1](#) [249-4515-000](#) [7-1469373-3](#) [DL2-2J/S](#) [2000713-8](#)  
[2000713-7](#) [10124313-101LF](#) [3011-21](#) [757105208](#) [EBTF-4-10-2.0-S-RA-1](#) [430305-001](#) [4395800100](#)