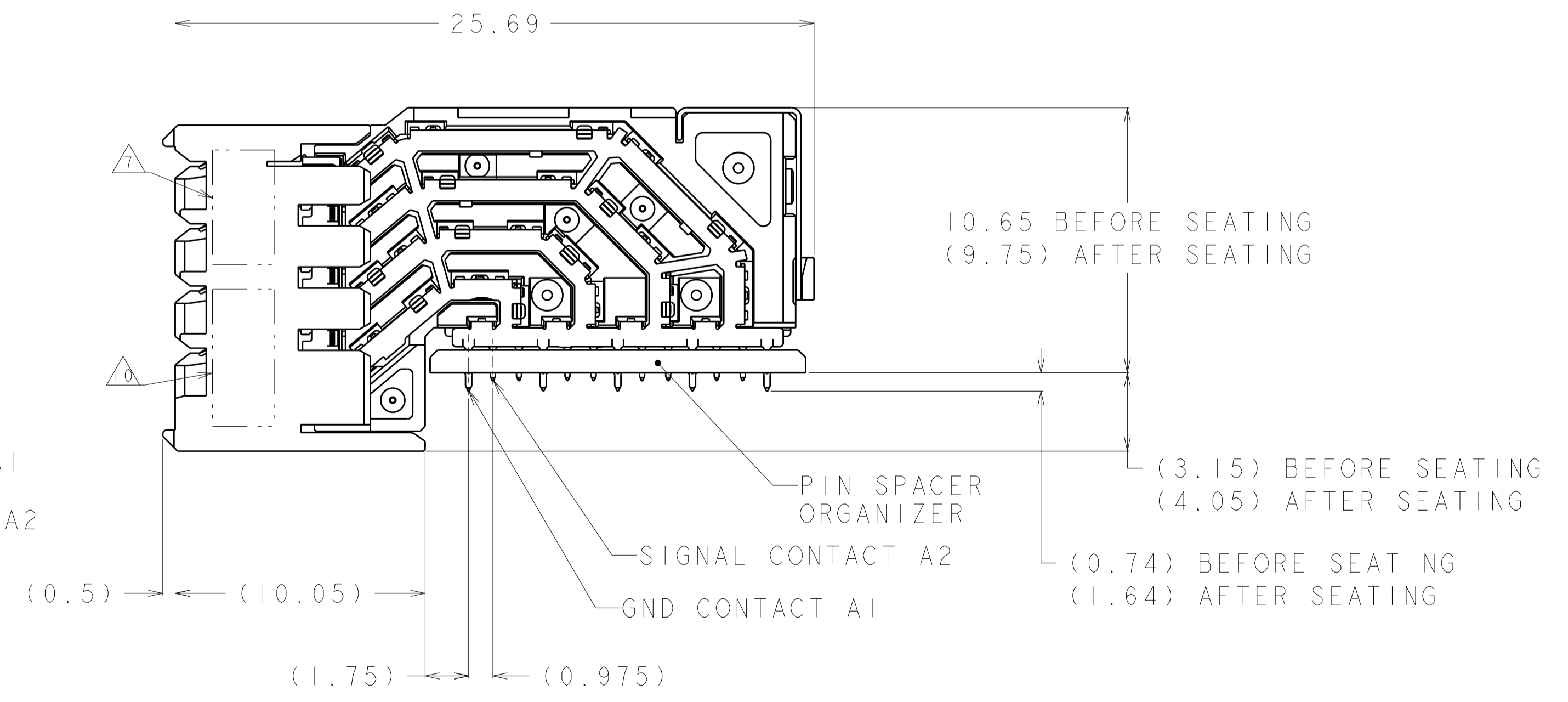
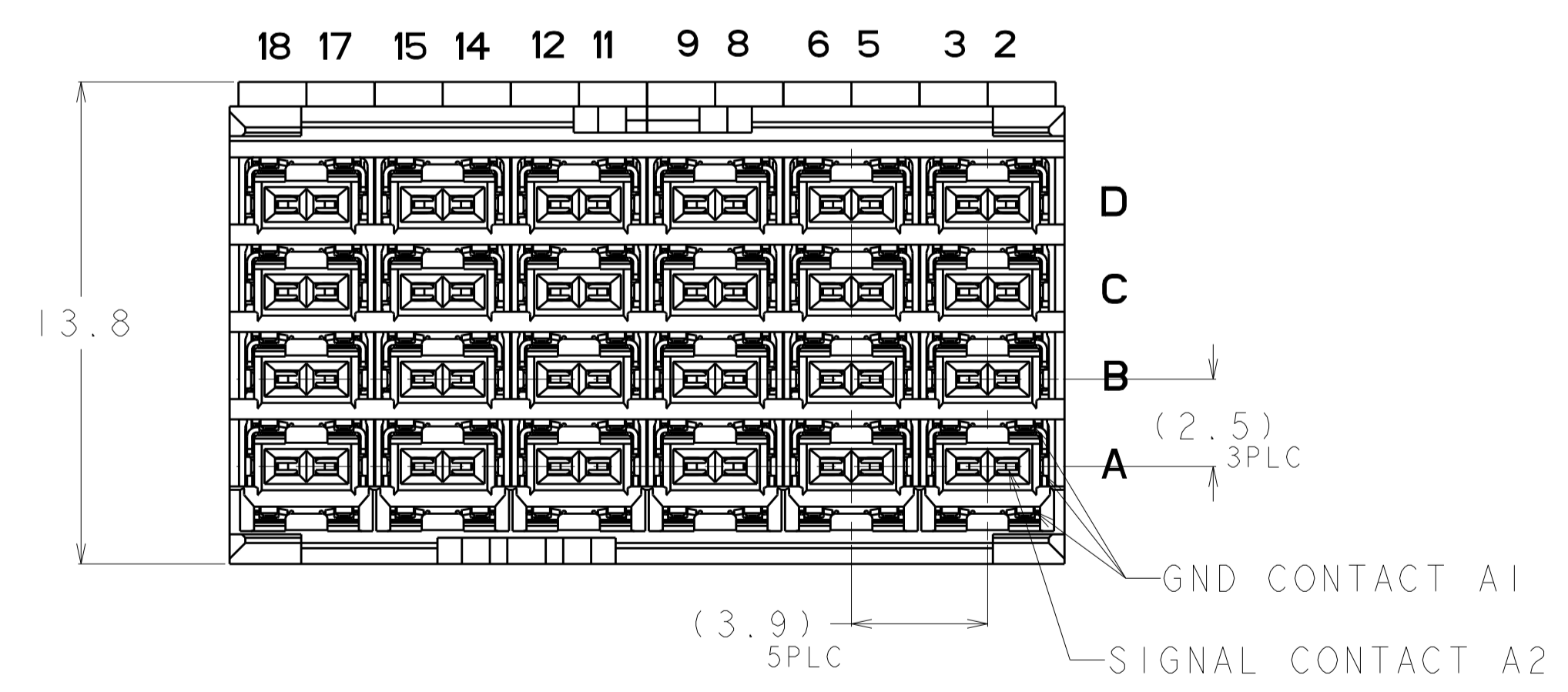
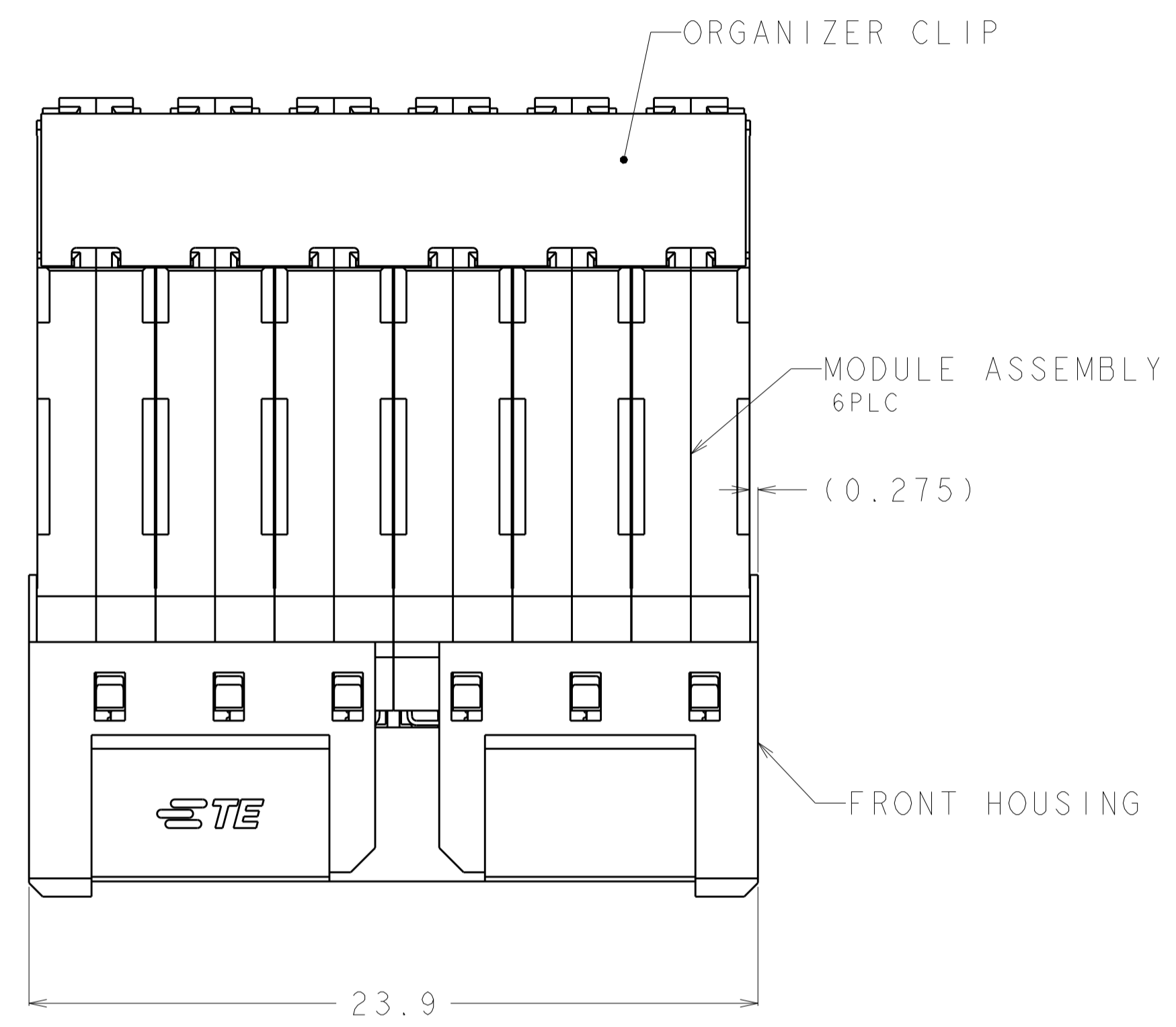


| REVISIONS |     |             |           |           |
|-----------|-----|-------------|-----------|-----------|
| P.        | LTN | DESCRIPTION | DATE      | OWN APVD  |
| A         |     | RELEASED    | 16DEC2019 | Y. K T. M |
| A1        |     | REVISED     | 24DEC2019 | Y. K T. M |



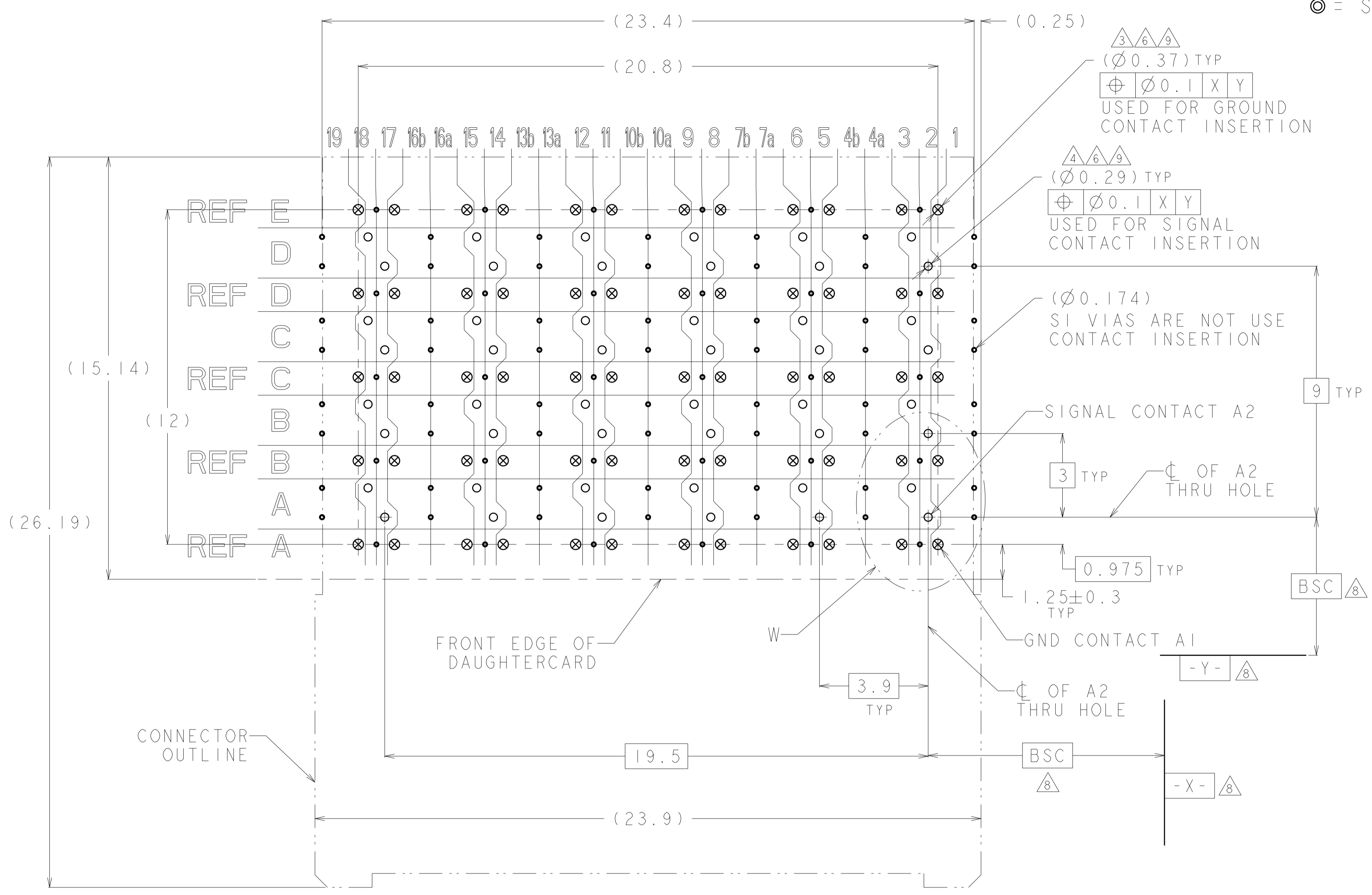
- △ CONTACTS AND SHIELDS - COPPER ALLOY  
ORGANIZER - STAINLESS STEEL  
HOUSING AND PIN SPACER - THERMOPLASTIC, UL 94V-0, BLACK
- △ FINISH:  
CONFORMS TO THE REQUIREMENTS OF TE PRODUCT SPECIFICATION 108-140186  
BASED ON TELCORDIA GR-1217-CORE FOR SYSTEM QUALITY LEVEL III,  
APPLICATIONS IN CONTROLLED ENVIRONMENTS (CENTRAL OFFICE).  
COMPLIANT PIN AREA : 0.5um MIN MATTE TIN.
- △ GROUND PLATED THRU HOLE REQUIREMENTS:  
FINISHED HOLE =  $\varnothing 0.37 \pm 0.05$   
HOLE SIZE PRIOR TO PLATING =  $\varnothing 0.450 \pm 0.025$   
COPPER THICKNESS = 0.025 MIN  
IMMERSION TIN IF APPLICABLE = (0.00095)
- △ SIGNAL PLATED THRU HOLE REQUIREMENTS:  
FINISHED HOLE =  $\varnothing 0.29 \pm 0.05$   
HOLE SIZE PRIOR TO PLATING =  $\varnothing 0.37 \pm 0.025$  (#79 DRILL)  
COPPER THICKNESS = 0.025 MIN  
IMMERSION TIN IF APPLICABLE = (0.00095)
- △ SI VIA PLATED THRU HOLE REQUIREMENTS:  
FINISHED HOLE = AS REQUIRED  
HOLE SIZE PRIOR TO PLATING =  $\varnothing 0.254 \pm 0.025$   
COPPER THICKNESS = 0.025 MIN  
IMMERSION TIN IF APPLICABLE = (0.00095)
- △ SIGNAL HOLES AND SI VIAS:  
PTH DIMENSIONS APPLY TO THE TOP 1.00mm OF THE PCB THICKNESS FROM THE  
CONNECTOR MOUNTING SIDE.  
GROUND HOLES:  
PTH DIMENSIONS APPLY TO THE TOP 1.25mm OF THE PCB THICKNESS FROM THE  
CONNECTOR MOUNTING SIDE.
- △ CONNECTOR MARKED WITH PART NUMBER, DATE CODE, AND "92 OHM" IN  
APPROXIMATE AREA SHOWN.
- △ DATUMS AND BASIC DIMENSIONS ESTABLISHED BY CUSTOMER
- △ APPLIES TO FINISHED HOLE DIAMETER
- △ DATAMATRIX BARCODE MARKING IN THIS AREA.

2356429-1  
PART NO

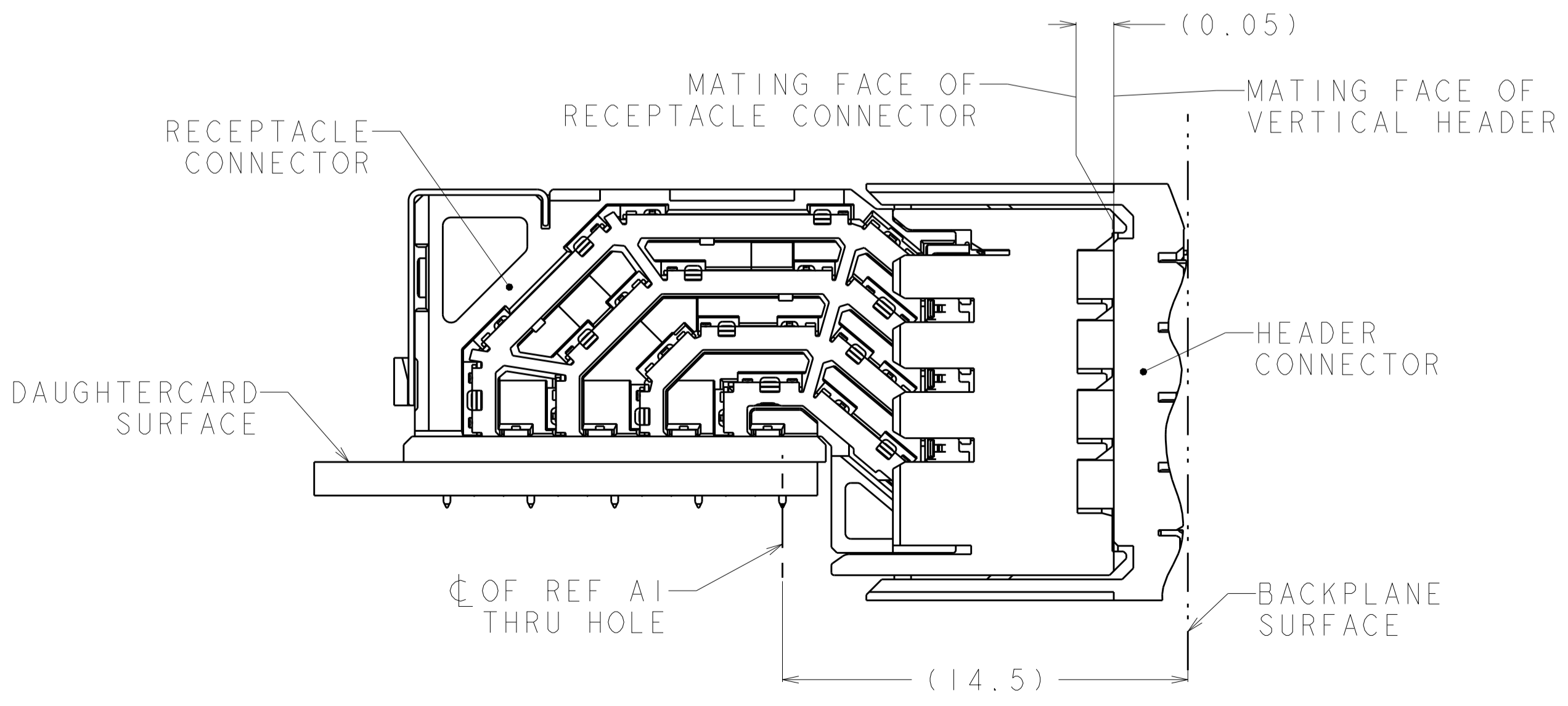
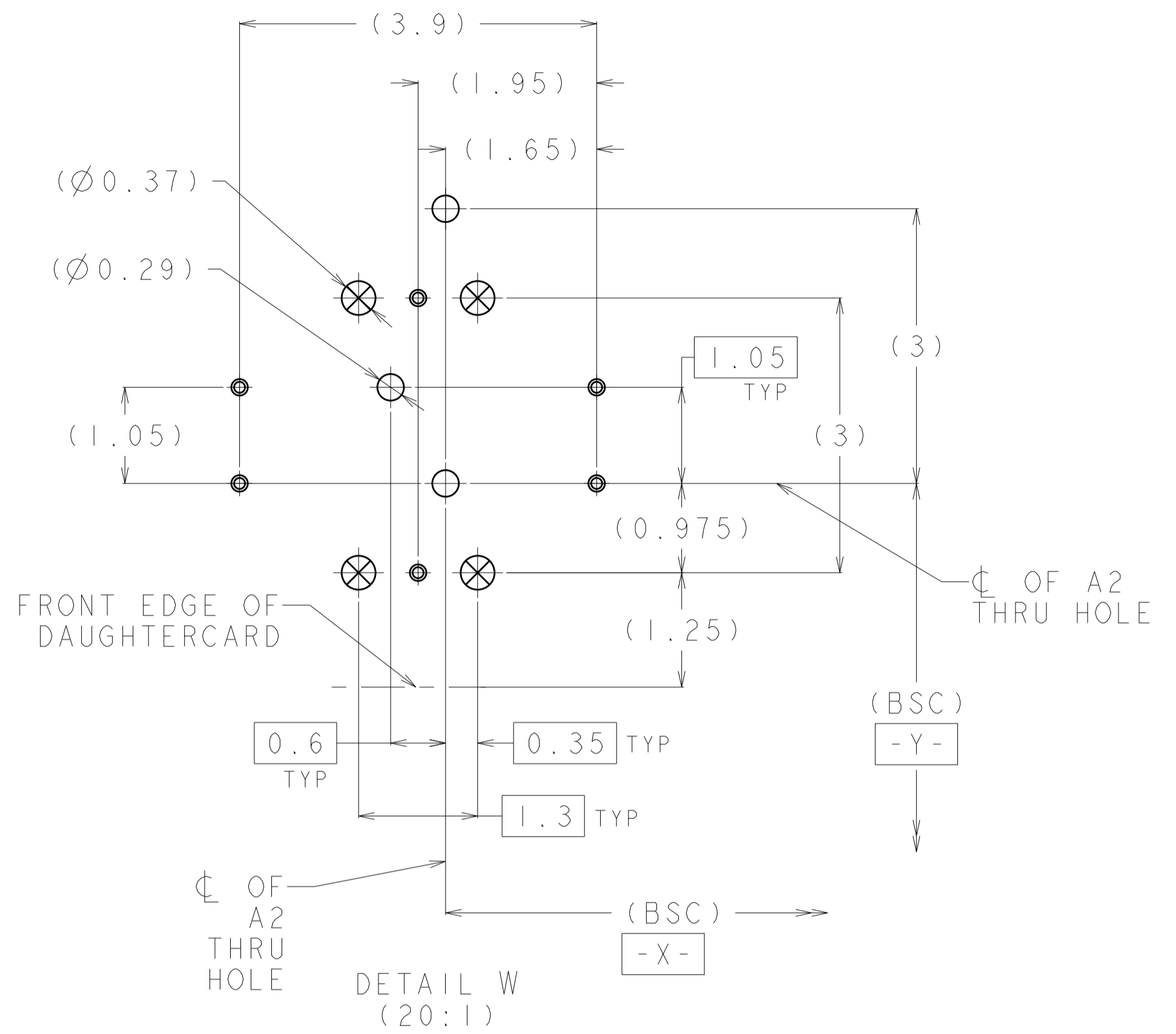
|  |  |                                    |  |  |
|--|--|------------------------------------|--|--|
| THIS DRAWING IS A CONTROLLED DOCUMENT. |  | OWN<br>Y. KODAIRA<br>13MAY2019     | TE Connectivity                          |  |
| DIMENSIONS:                            |  | CHK<br>M. IWASAKI<br>13MAY2019     | NAME<br>RIGHT ANGLE RECEPTACLE ASSEMBLY  |  |
| TOLERANCES UNLESS OTHERWISE SPECIFIED: |  | APVD<br>T. MATSUDAIRA<br>13MAY2019 | PRODUCT SPEC<br>4 PAIR 6 COLUMN, 92 OHM, |  |
| mm                                     |  | PRODUCT SPEC                       | 108-140186                               |  |
| 0 PLC $\pm 0.3$                        |  | APPLICATION SPEC                   | PAIR-IN-ROW, STRADA WHISPER R            |  |
| 1 PLC $\pm 0.3$                        |  | SIZE                               | 114-32029                                |  |
| 2 PLC $\pm 0.3$                        |  | CAGE CODE                          | A100779                                  |  |
| 3 PLC $\pm 0.3$                        |  | DRAWING NO                         | C=2356429                                |  |
| 4 PLC $\pm 0.3$                        |  | WEIGHT                             | -  |  |
| 5 PLC $\pm 0.3$                        |  | CUSTOMER DRAWING                   | SCALE 6:1 SHEET 1 OF 2 REV A1            |  |
| ANGLES $\pm 0.3^\circ$                 |  |                                    |  |  |
| FINISH $\pm 0.3^\circ$                 |  |                                    |  |  |

| REVISIONS |     |             |      |      |
|-----------|-----|-------------|------|------|
| P.        | LTN | DESCRIPTION | DATE | APPD |
|           |     | SEE SHEET 1 |      |      |
|           |     |             |      |      |
|           |     |             |      |      |

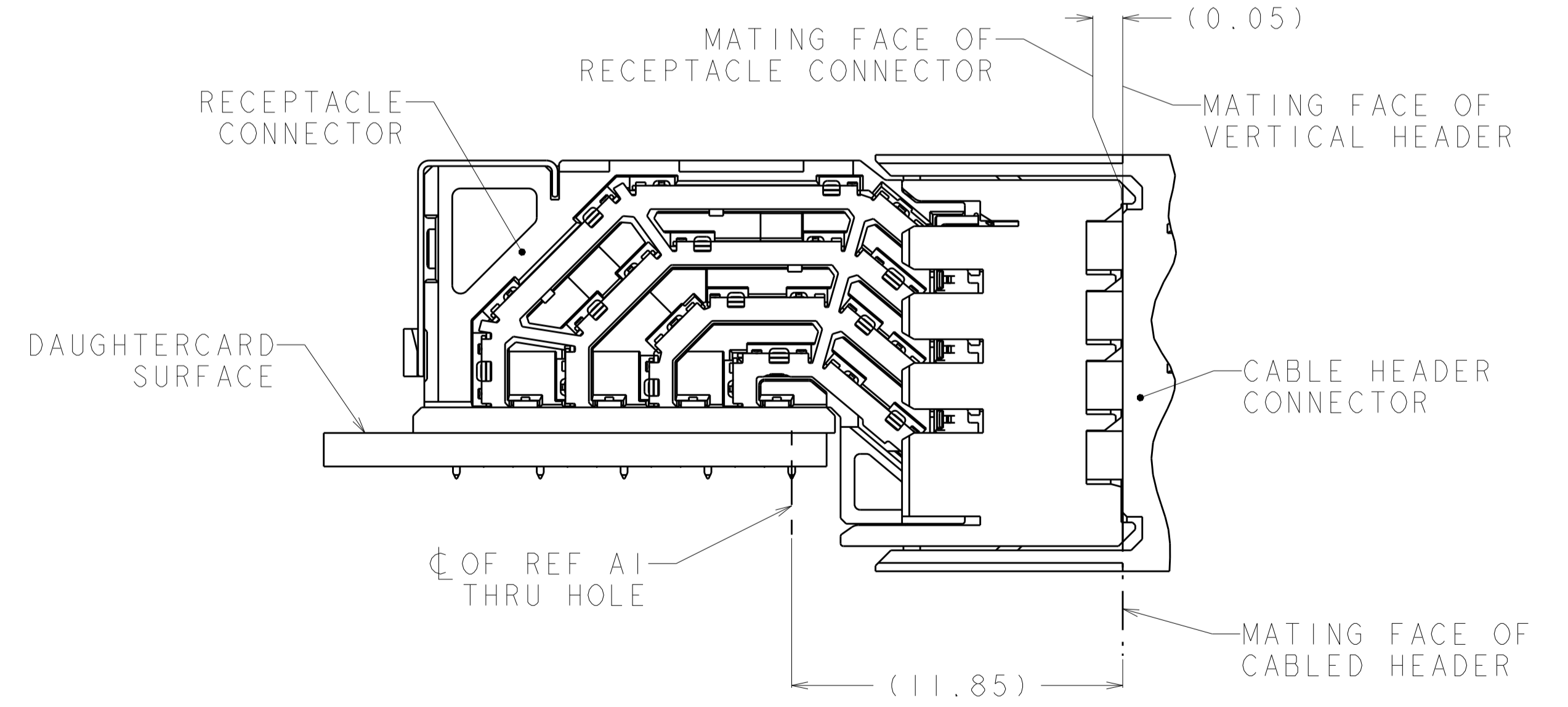
- = SIGNAL
- ⊗ = GROUND
- ⊙ = SIGNAL INTEGRITY VIA TO GROUND



RECOMMENDED PCB LAYOUT  
 COMPONENT SIDE SHOWN  
 SCALE 10:1



MIDPLANE APPLICATIONS  
 MATED ASSEMBLY (PARTIAL VIEW)



CABLED HEADER APPLICATIONS  
 MATED ASSEMBLY (PARTIAL VIEW)

|  |  |                  |   |  |
|--|--|------------------|---|--|
| THIS DRAWING IS A CONTROLLED DOCUMENT. |  | CHK              | <b>STE</b> TE Connectivity              |  |
| DIMENSIONS:                            |  | APVD             |   |  |
| mm                                     | TOLERANCES UNLESS OTHERWISE SPECIFIED: | PRODUCT SPEC     | NAME                                    |  |
|  | 0 PLC ±0.3                             | APPLICATION SPEC | RIGHT ANGLE RECEPTACLE ASSEMBLY         |  |
|  | 1 PLC ±0.3                             | WEIGHT           | 4 PAIR 6 COLUMN, 92 OHM,                |  |
|  | 2 PLC ±0.3                             | CUSTOMER DRAWING | PAIR-IN-ROW, STRADA WHISPER R           |  |
|  | 3 PLC ±0.3                             | SCALE            | SIZE CAGE CODE DRAWING NO RESTRICTED TO |  |
|  | 4 PLC ±0.3                             | 4:1              | A1 0079 ©=2356429                       |  |
|  | ANGLES ±0.3                            | SHEET            | 2 OF 2                                  |  |
|  | FINISH                                 | REV              | A1                                      |  |

## X-ON Electronics

Largest Supplier of Electrical and Electronic Components

*Click to view similar products for [High Speed/Modular Connectors](#) category:*

*Click to view products by [TE Connectivity](#) manufacturer:*

Other Similar products are found below :

[650827-1](#) [74040-1346](#) [1410191-1](#) [1410368-3](#) [1410964-2](#) [1410326-3](#) [1410367-3](#) [1410971-4](#) [1467833-1](#) [2000877-1](#) [2000878-1](#) [2041314-1](#)  
[2065387-1](#) [2187307-1](#) [163P](#) [1934290-1](#) [2000875-1](#) [2065917-1](#) [2102736-2](#) [FSR-40](#) [2169868-2](#) [22354-8](#) [437-5040-000](#) [5-1393565-0](#) [039-](#)  
[0246-000](#) [0740618502](#) [0761601016](#) [0784461022](#) [10123159-12ELF](#) [030-2415-003/100 PK](#) [030-7380-004](#) [030-2494-001](#) [532939-1](#) [5532901-](#)  
[3](#) [3-1469268-7](#) [74748-102LF](#) [10041743-101LF](#) [10066670-100002LF](#) [1-533915-1](#) [249-4515-000](#) [7-1469373-3](#) [DL2-2J/S](#) [2000713-8](#)  
[2000713-7](#) [10124313-101LF](#) [3011-21](#) [757105208](#) [430305-001](#) [4395800100](#) [8140115](#)