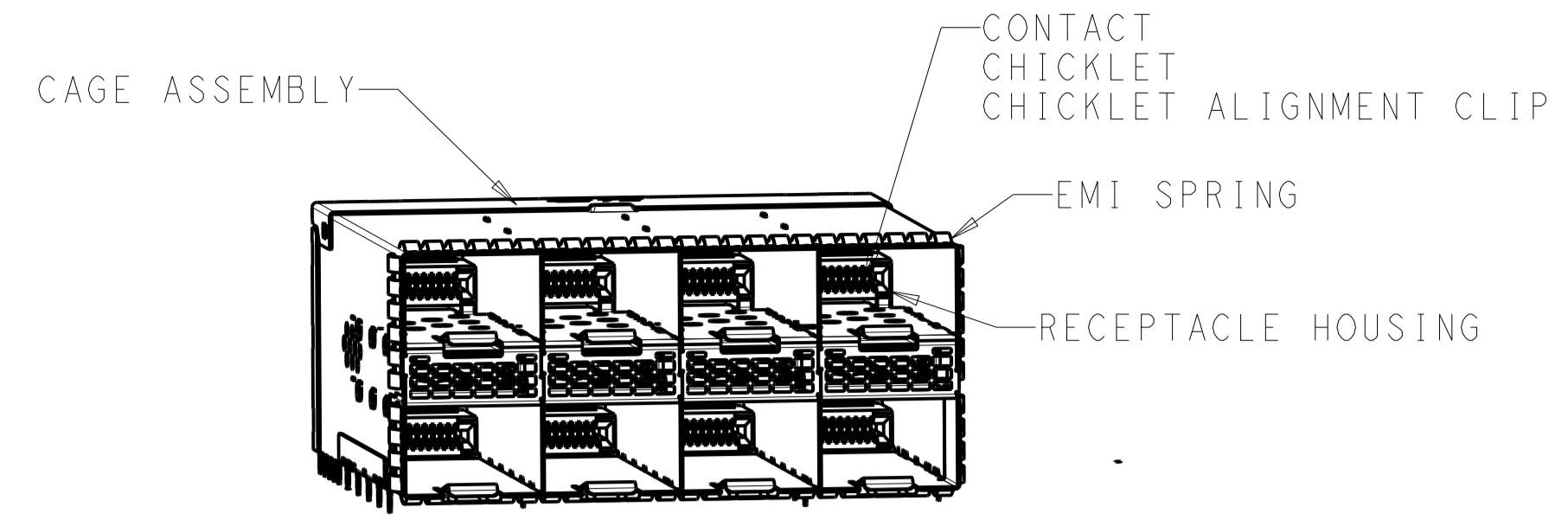


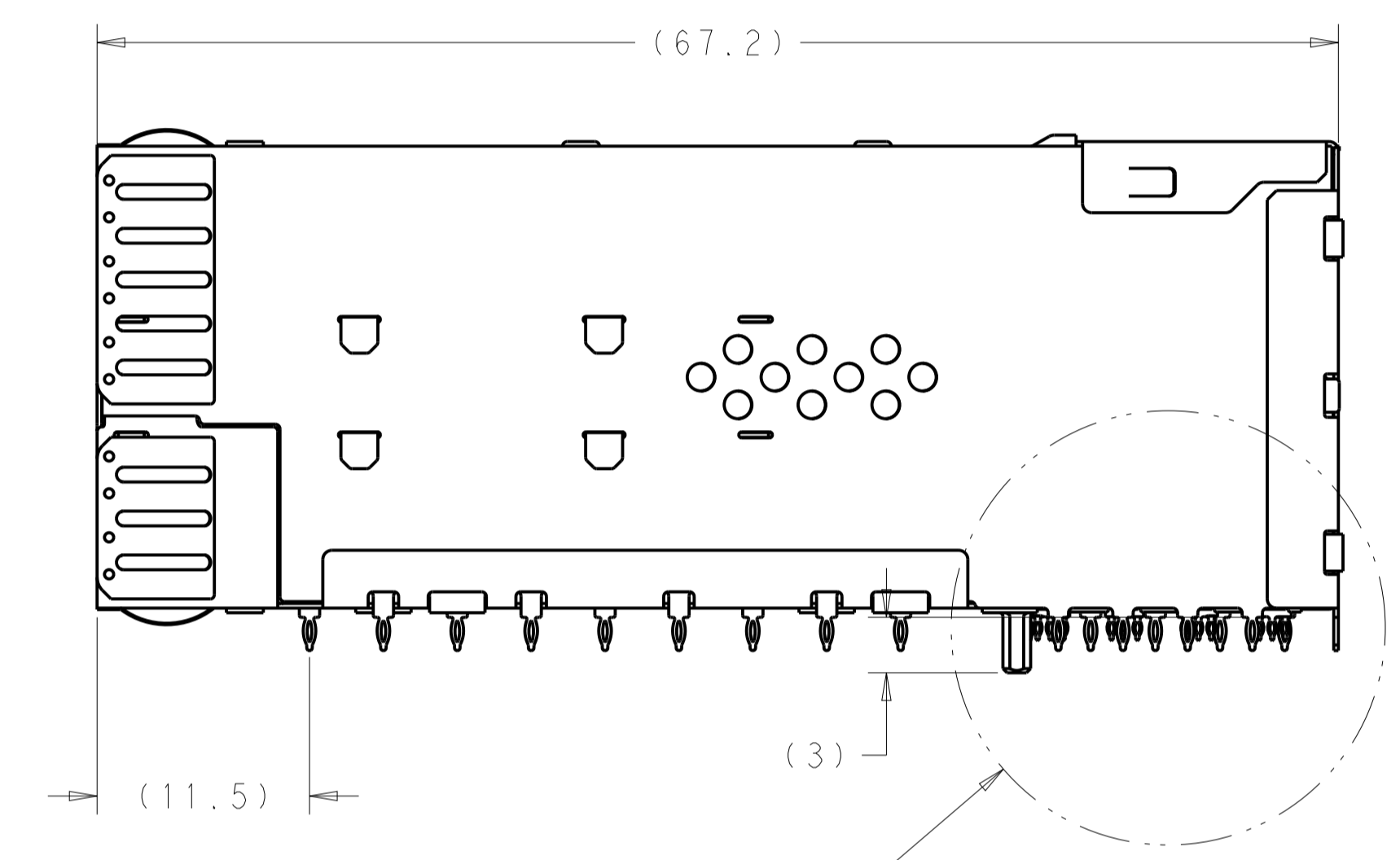
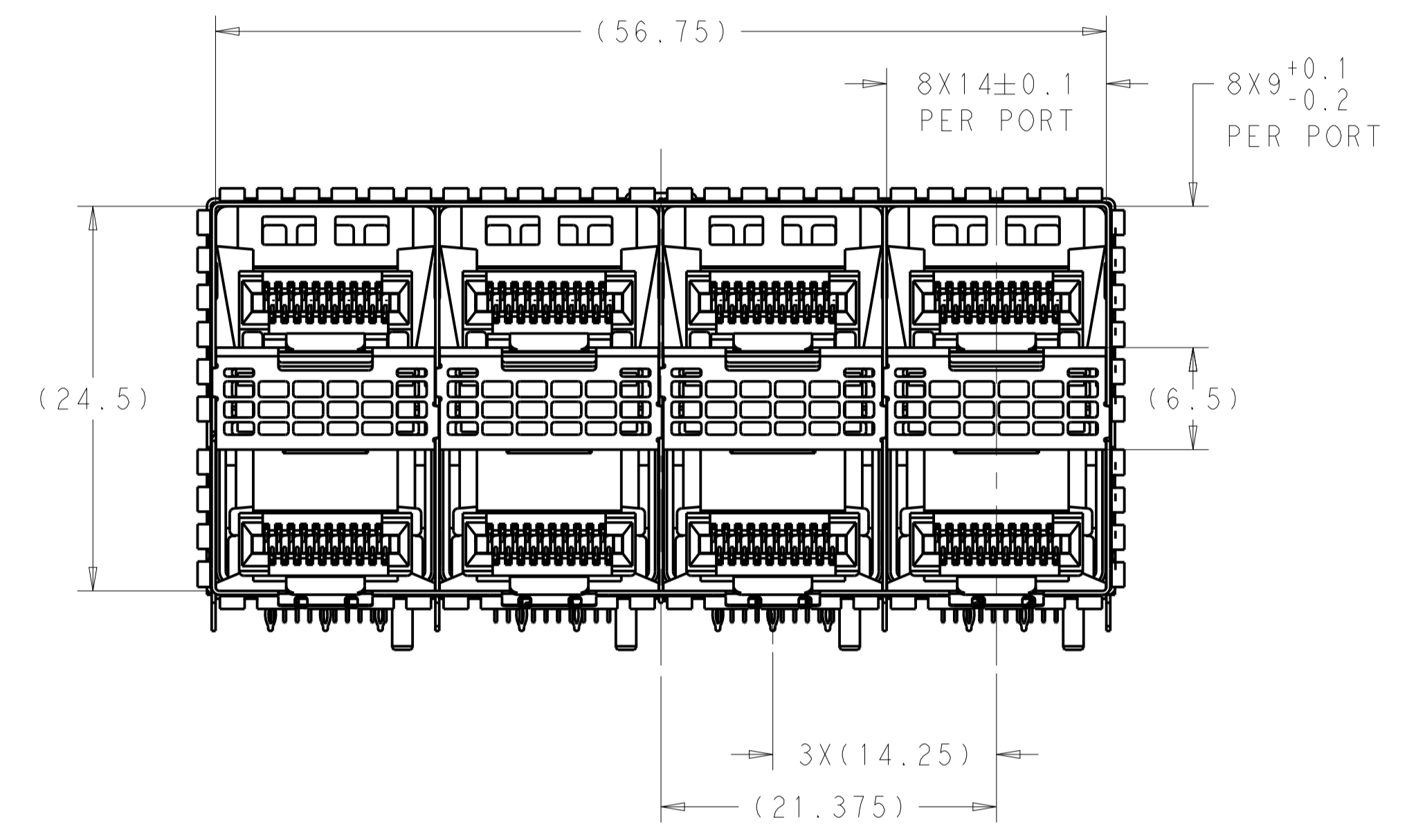
LOC	DIST	REVISIONS			
P	LTN	DESCRIPTION	DATE	DWN	APVD
A		RELEASE TO REV A	23OCT2019	JY	SH
B		REVISED PER ECO-20-013376	03APR2020	JW	SH



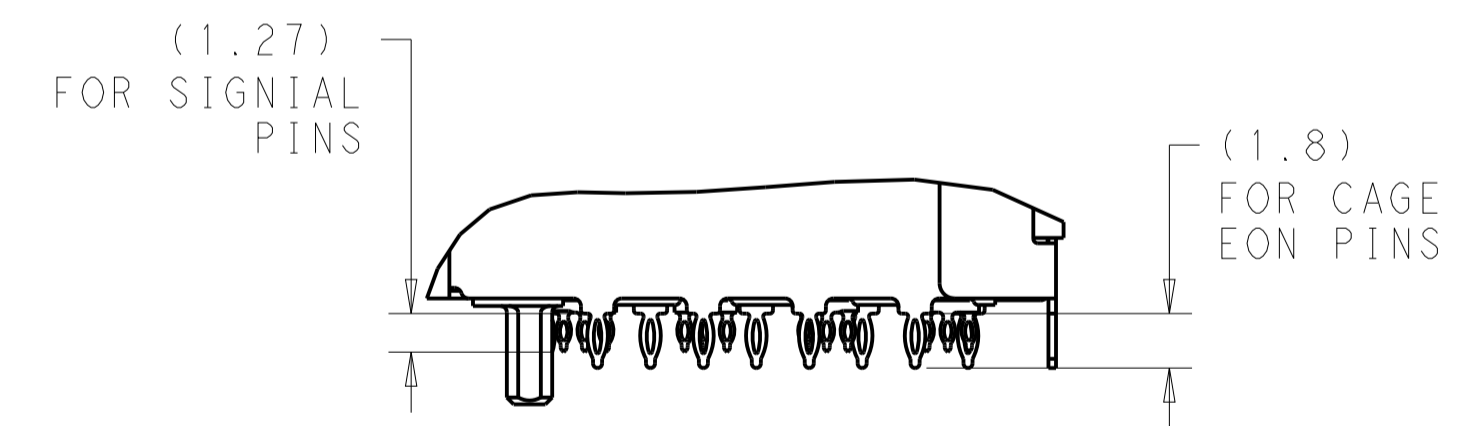
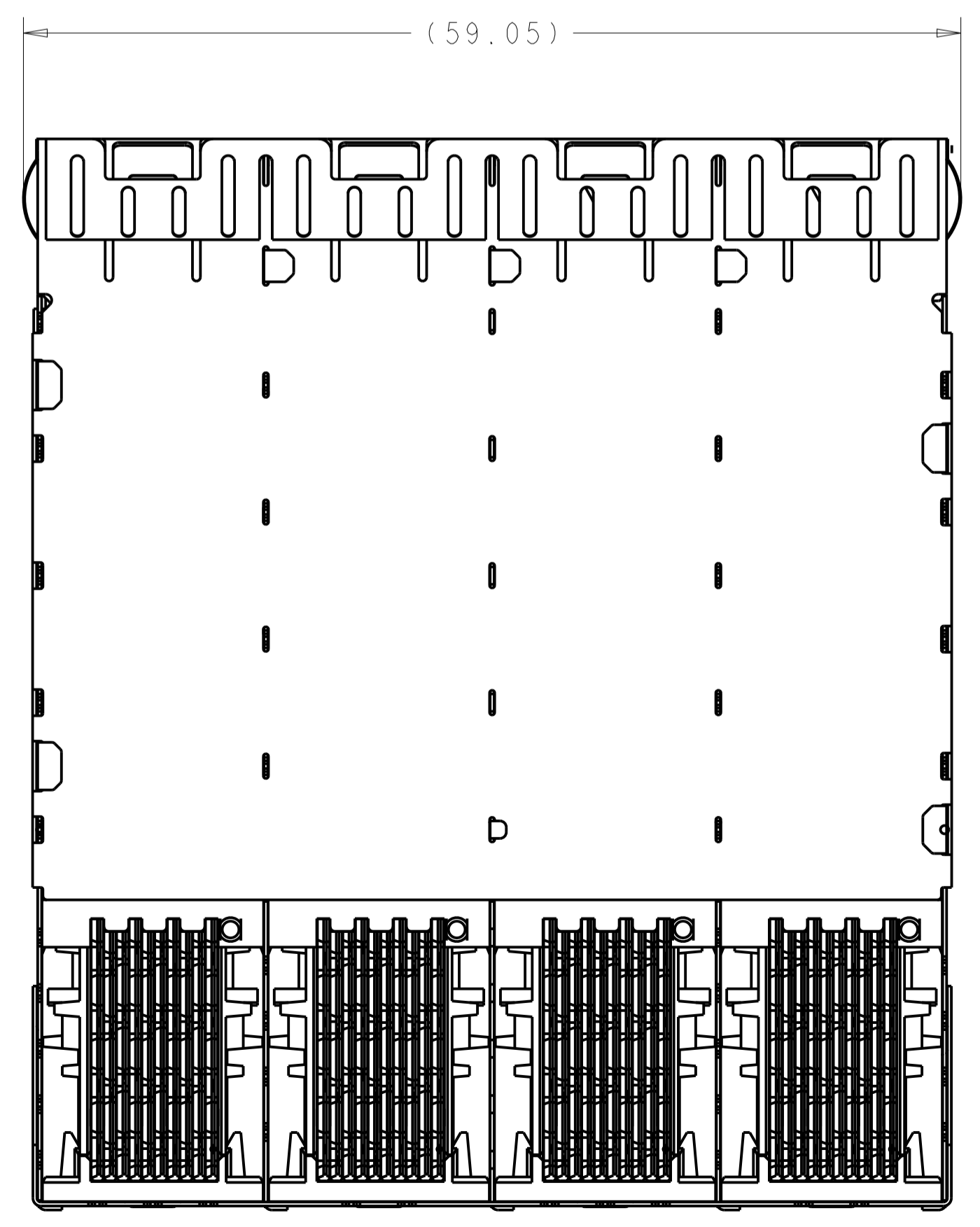
2357514-1
SCALE 3:2

- MATERIALS:
 CAGE ASSEMBLY - STAINLESS STEEL
 CONNECTOR HOUSING - LCP, BLACK, UL 94V-0 RATED
 CHICKLET - LCP, BLACK, UL 94V-0 RATED
 CHICKLET ALIGNMENT CLIP - LCP, BLACK, UL94V-0 RATED
 CONTACT - COPPER ALLOY
 LIGHTPIPE-POLYCARBONATE, CLEAR
 EMI SPRINGS - PHOSPHOR BRONZE PER ASTM B 103,
 0.8µm MIN TIN OVER NICKEL PATING
- CONTACT FINISH:
 0.76µm MIN GOLD PER ASTM B 844 AT MATING INTERFACE,
 1.25µm MIN MATTE TIN PER ASTM B 545 AT PCB INTERFACE
 ALLOVER 2.54µm MIN NICKEL PER QQ-N-290.
- PCB MINIMUM THICKNESS FOR SINGLE SIDE= 1.5mm MIN
 PCB MINIMUM THICKNESS FOR BELLY TO BELLY=3mm MIN

- △ FOR HOLE SIZE AND PLATINGS, SEE APPLICATION SPECIFICATION 114-13319
- △ LIGHT PIPE PAD LAYOUT IS FOR 0805 LOW PROFILE LED PACKAGE WITH A HEIGHT OF 0.8mm
- △ DIMENSIONS APPLY FOR EMI SPRINGS ONLY
- △ THE ENTIRE AREA OF THE CONNECTOR FOOTPRINT, INDICATED BY THE DASHED LINE, TO BE CONSIDERED THE KEEP-OUT AREA FOR COMPONENTS AND SIGNAL TRACES, TOP SIDE ONLY, TOP SIDE TRACES ALLOWED WITHIN CONNECTOR HOLE PATTERN



SEE DETAIL B

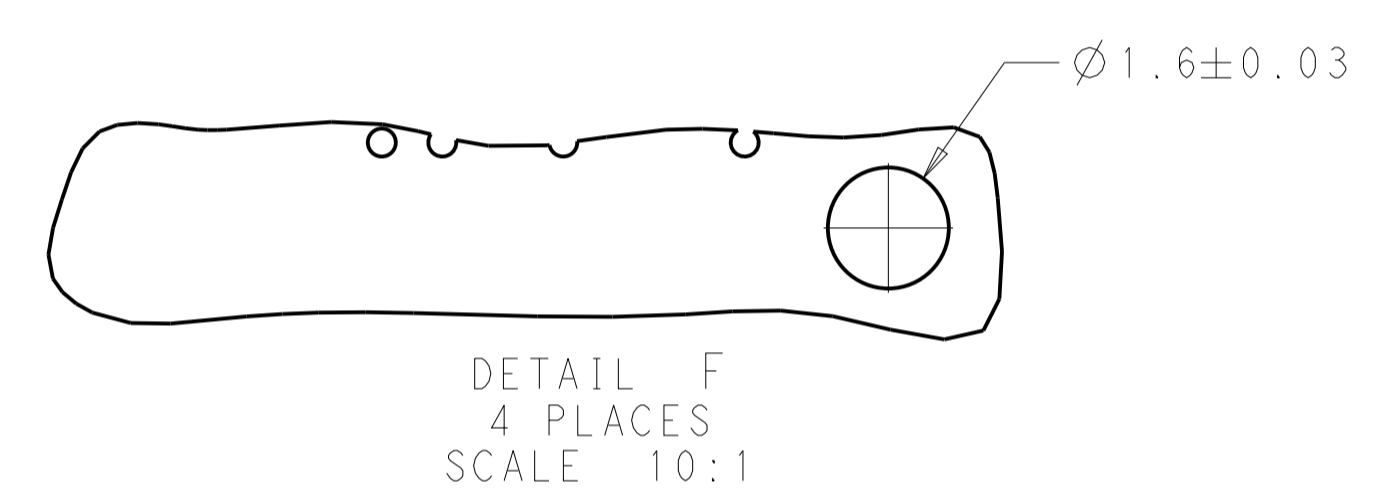
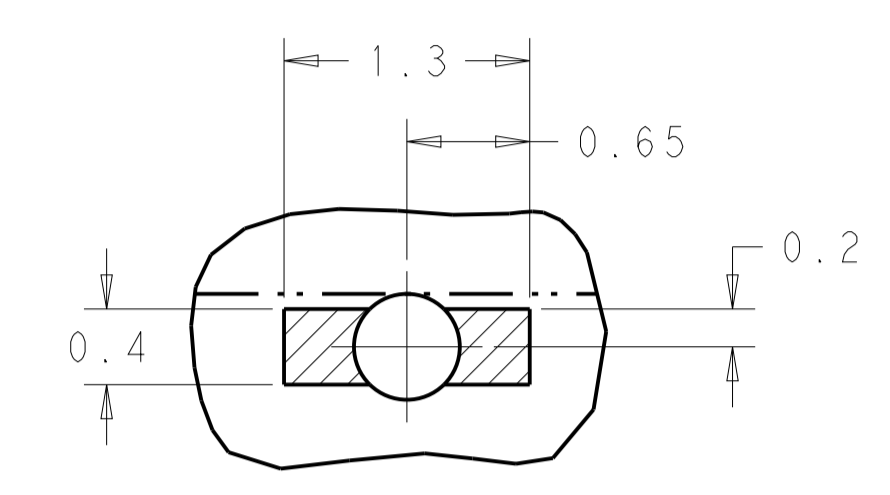
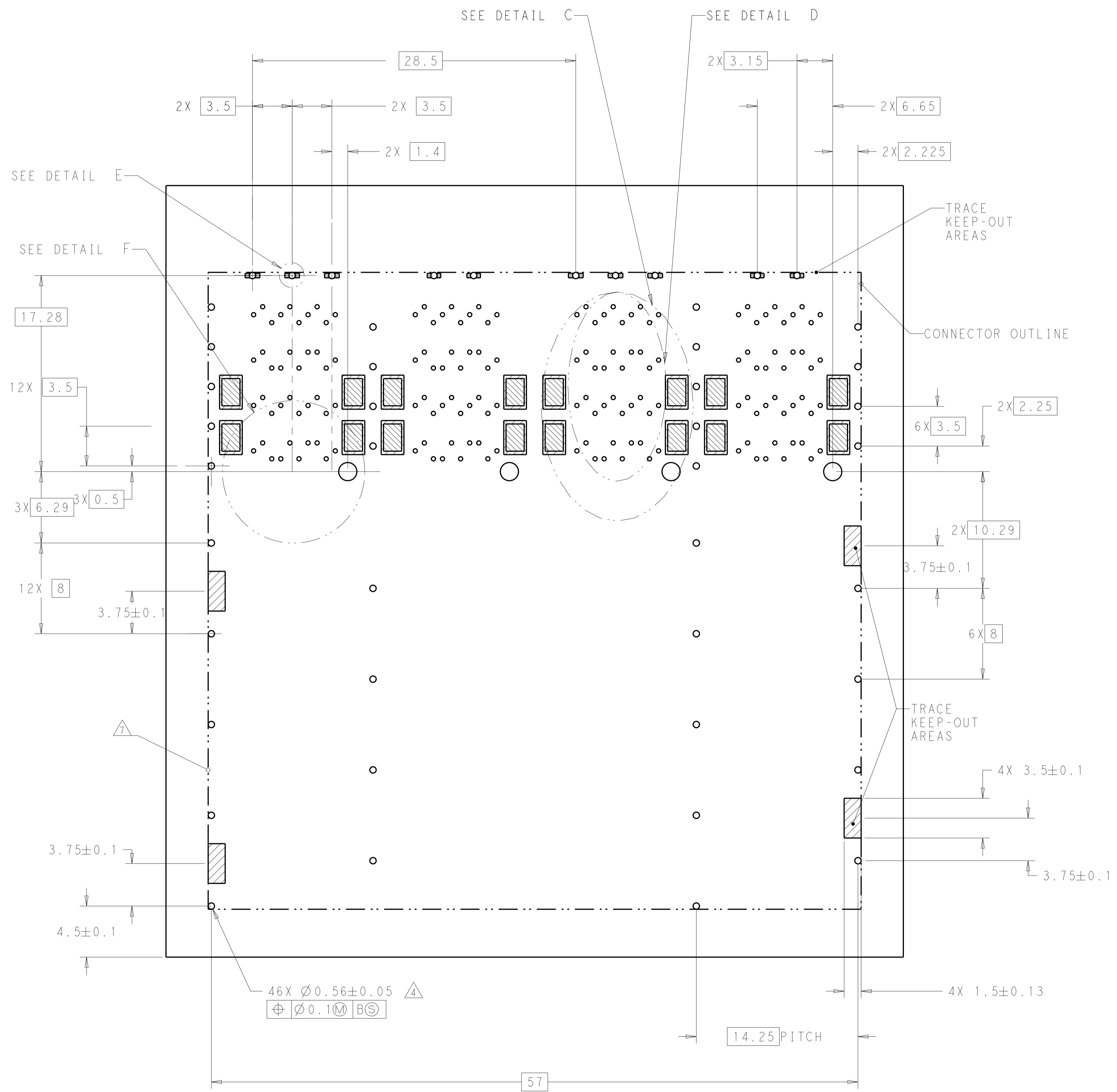


DETAIL B
SCALE 4:1

59.5	NO LIGHTPIPE AIRFLOW ENHANCE TYPE	2357514-1
(E)	CAGE TYPE	PART NUMBER

THIS DRAWING IS A CONTROLLED DOCUMENT.		DWN: J. WANG 30MAY2019	TE Connectivity
DIMENSIONS: mm		CHK: S. HAN 30MAY2019	
TOLERANCES UNLESS OTHERWISE SPECIFIED:		APVD: S. HAN 30MAY2019	NAME: RECEPTACLE ASSEMBLY, 2X4 zSFP+ STACKED BELLY TO BELLY
0 PLC ±	1 PLC ±0.25	PRODUCT SPEC: 108-60129	SIZE: A1
2 PLC ±0.25	3 PLC ±0.25	APPLICATION SPEC: 114-13319	CAGE CODE: 00779
4 PLC ±	ANGLES ±	WEIGHT: -	DRAWING NO: 2357514
MATERIAL: SEE NOTES	FINISH: SEE NOTES	CUSTOMER DRAWING	RESTRICTED TO: -
		SCALE: 3:1	SHEET 1 OF 4
			REV B

LOC		DIST		REVISIONS			
GP	00	PLN	LTN	DESCRIPTION	DATE	DWN	APVD
				SEE SHEET 1			

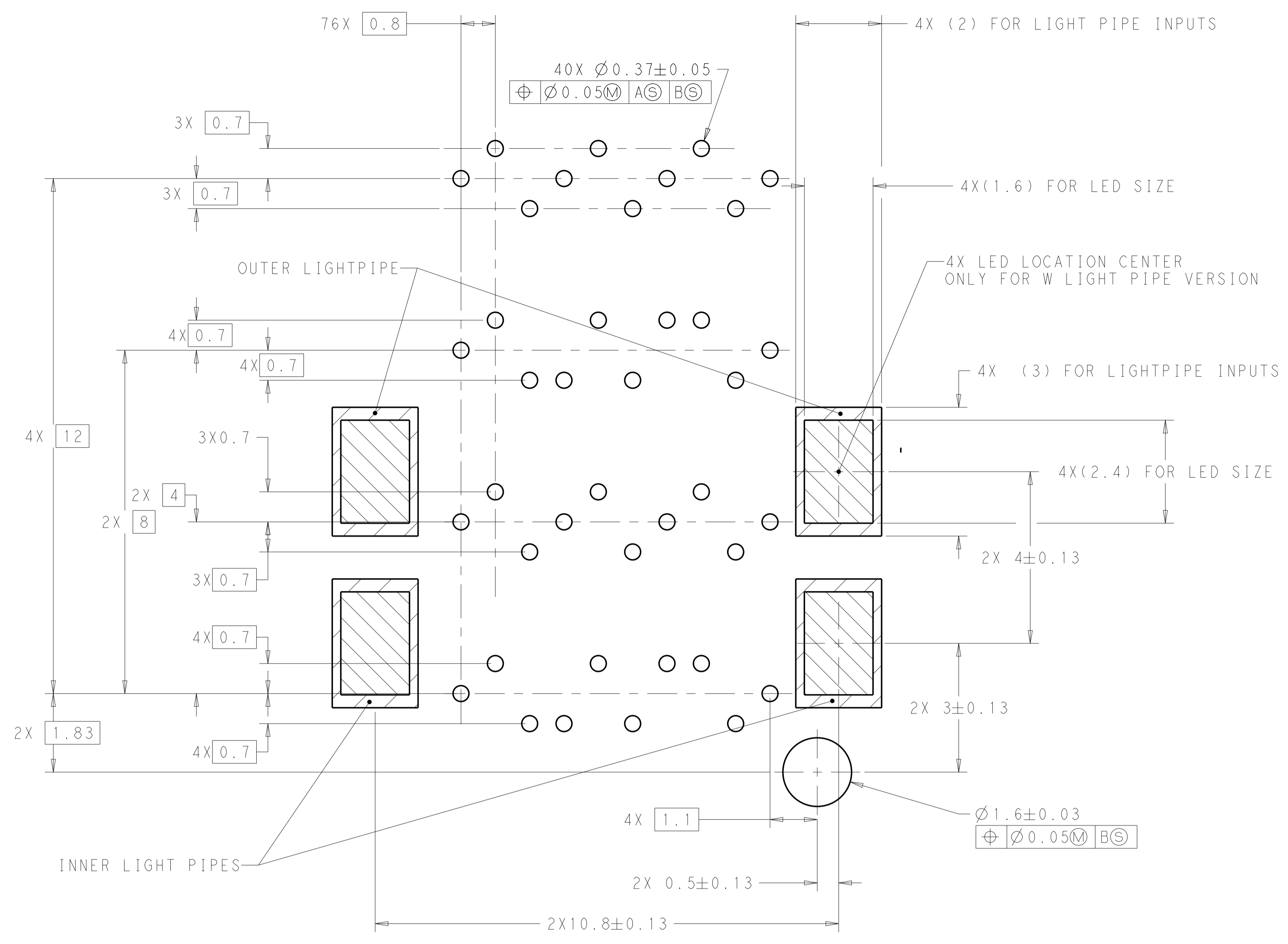


RECOMMENDED SINGLE SIDE PCB LAYOUT
SCALE 5:1

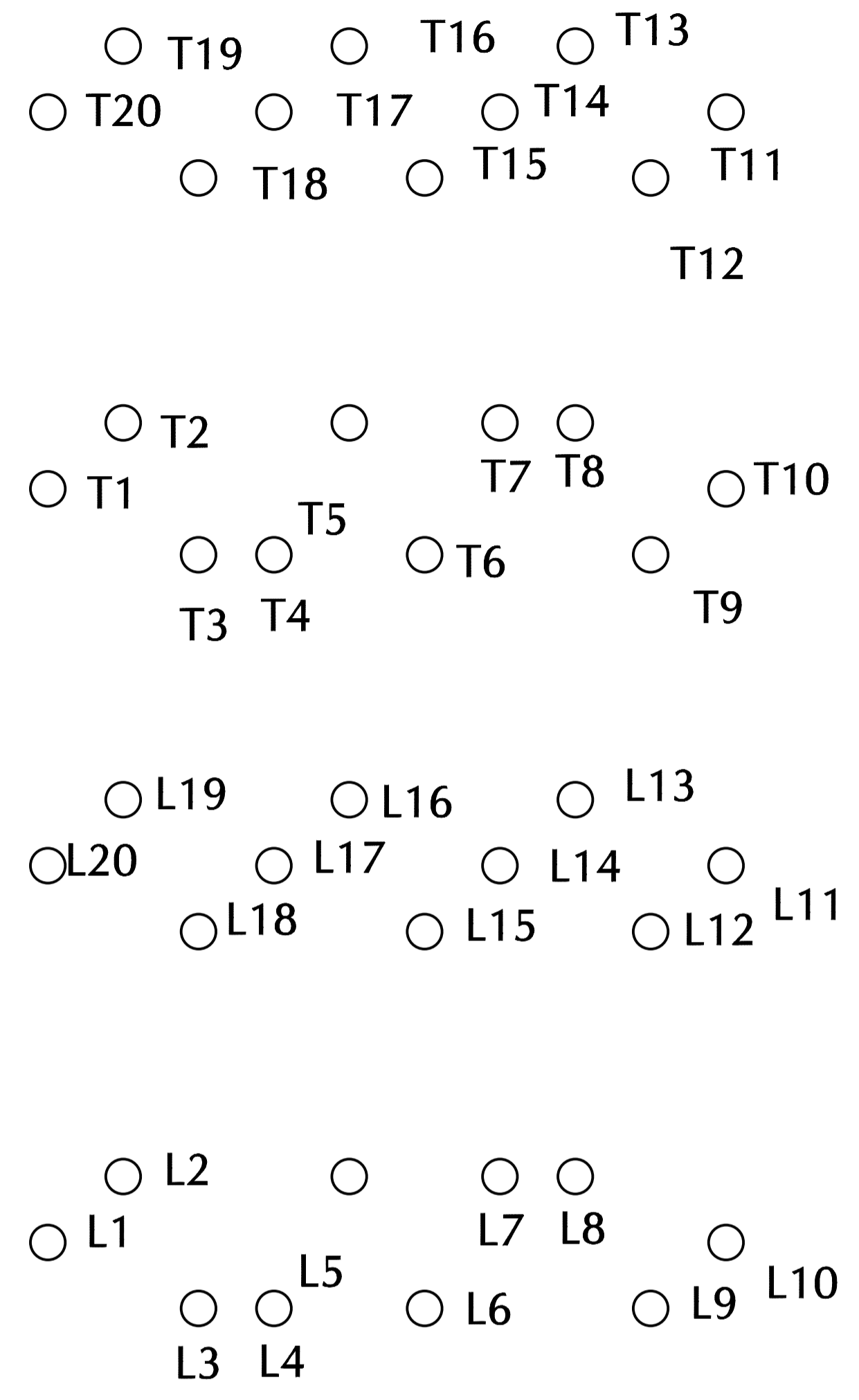
THIS DRAWING IS A CONTROLLED DOCUMENT.		DWN: J. WANG 30MAY2019	TE Connectivity
DIMENSIONS: mm		CHK: S. HAN 30MAY2019	
TOLERANCES UNLESS OTHERWISE SPECIFIED:		APVD: S. HAN 30MAY2019	NAME: RECEPTACLE ASSEMBLY, 2X4 zSFP+ STACKED BELLY TO BELLY
0 PLC ±	1 PLC ±0.25	PRODUCT SPEC: 108-60129	SIZE: A1
2 PLC ±0.25	3 PLC ±0.25	APPLICATION SPEC: 114-13319	CAGE CODE: 2357514
4 PLC ±	ANGLES ±	WEIGHT: -	RESTRICTED TO: -
MATERIAL: SEE NOTES	FINISH: SEE NOTES	CUSTOMER DRAWING	SCALE: 3:1 SHEET 2 OF 4 REV B

LOC	DIST	REV	DATE	BY	APPD
GP	00				

REVISIONS			
REV	DATE	BY	APPD
-	-	-	-
SEE SHEET 1			

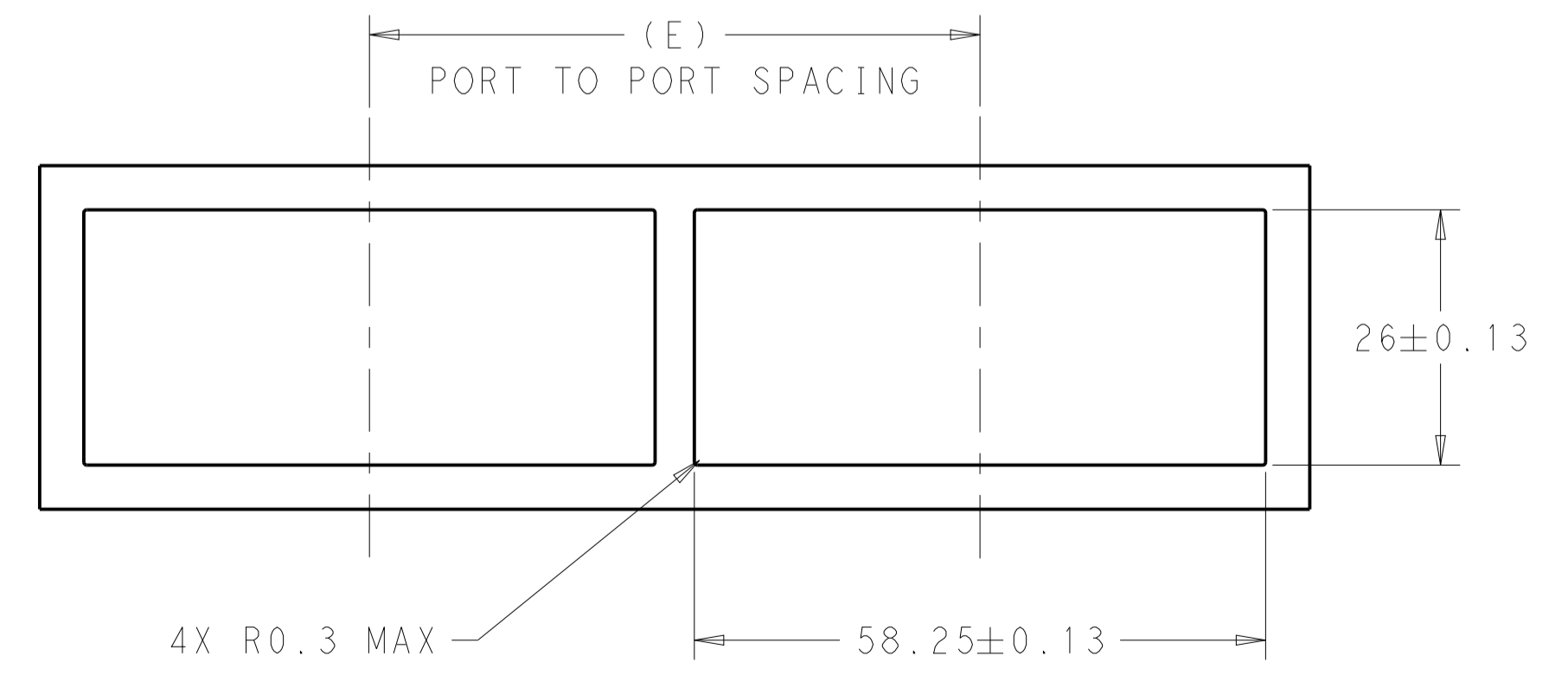


DETAIL C
 RECOMMENDED PIN AND LIGHT PIPE LAYOUT
 4X INDIVIDUALLY
 SCALE 15:1

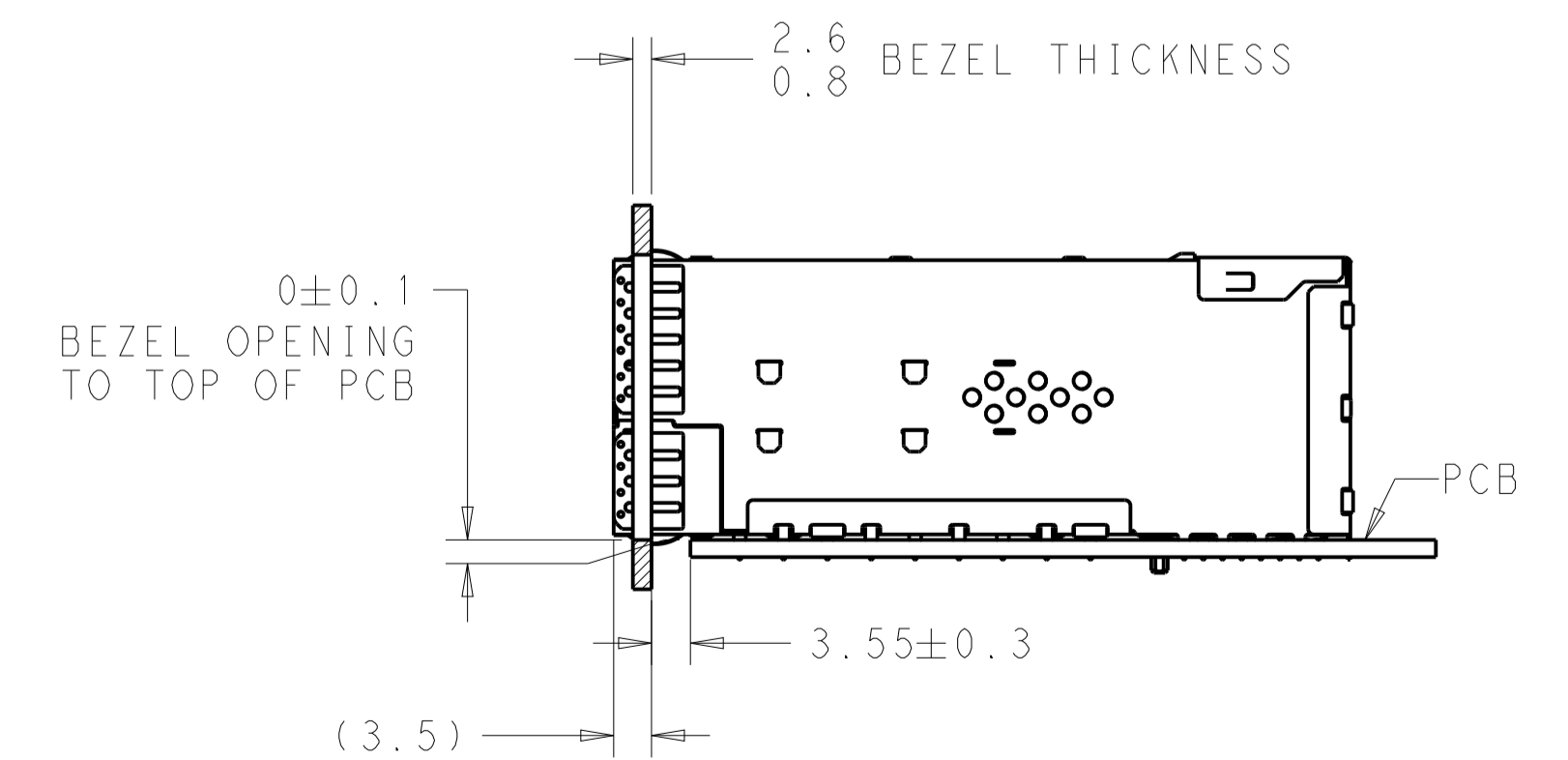


PIN MAP LEGEND	
PIN NUMBER	FUNCTION
L1/T1	VEET
L2/T2	TX-FAULT
L3/T3	TX-DISABLE
L4/T4	SDA
L5/T5	SCL
L6/T6	MOD_ABS
L7/T7	RSO
L8/T8	RX_LOS
L9/T9	RS1
L10/T10	VEER
L11/T11	VEER
L12/T12	RD-
L13/T13	RD+
L14/T14	VEER
L15/T15	VCCR
L16/T16	VCCT
L17/T17	VEET
L18/T18	TD+
L19/T19	TD-
L20/T20	VEET

DETAIL D
 PIN MAP
 4X PLACES
 SCALE 18:1

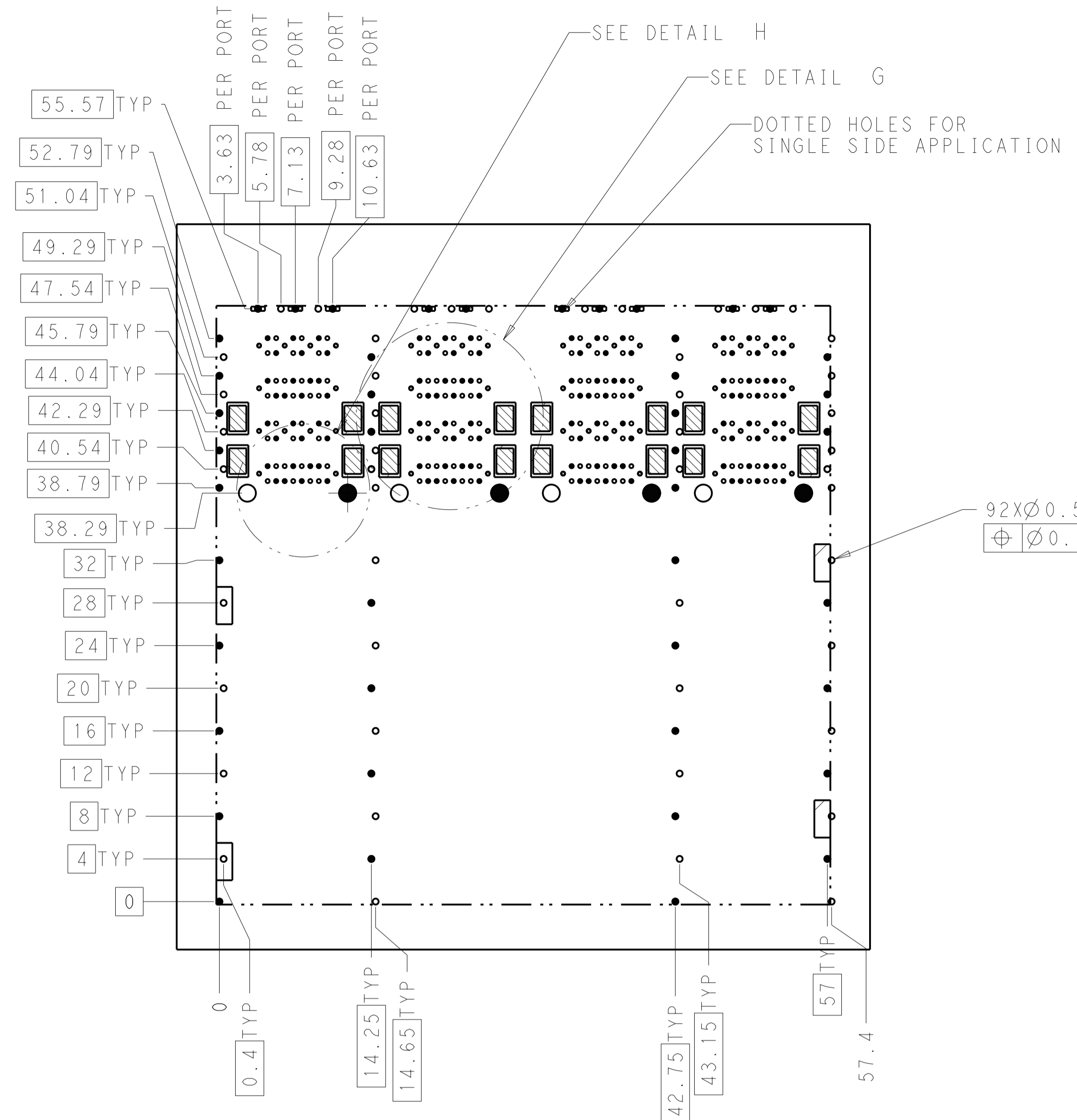


RECOMMENDED BEZEL CUT-OUT DETAIL
 SCALE 3:2



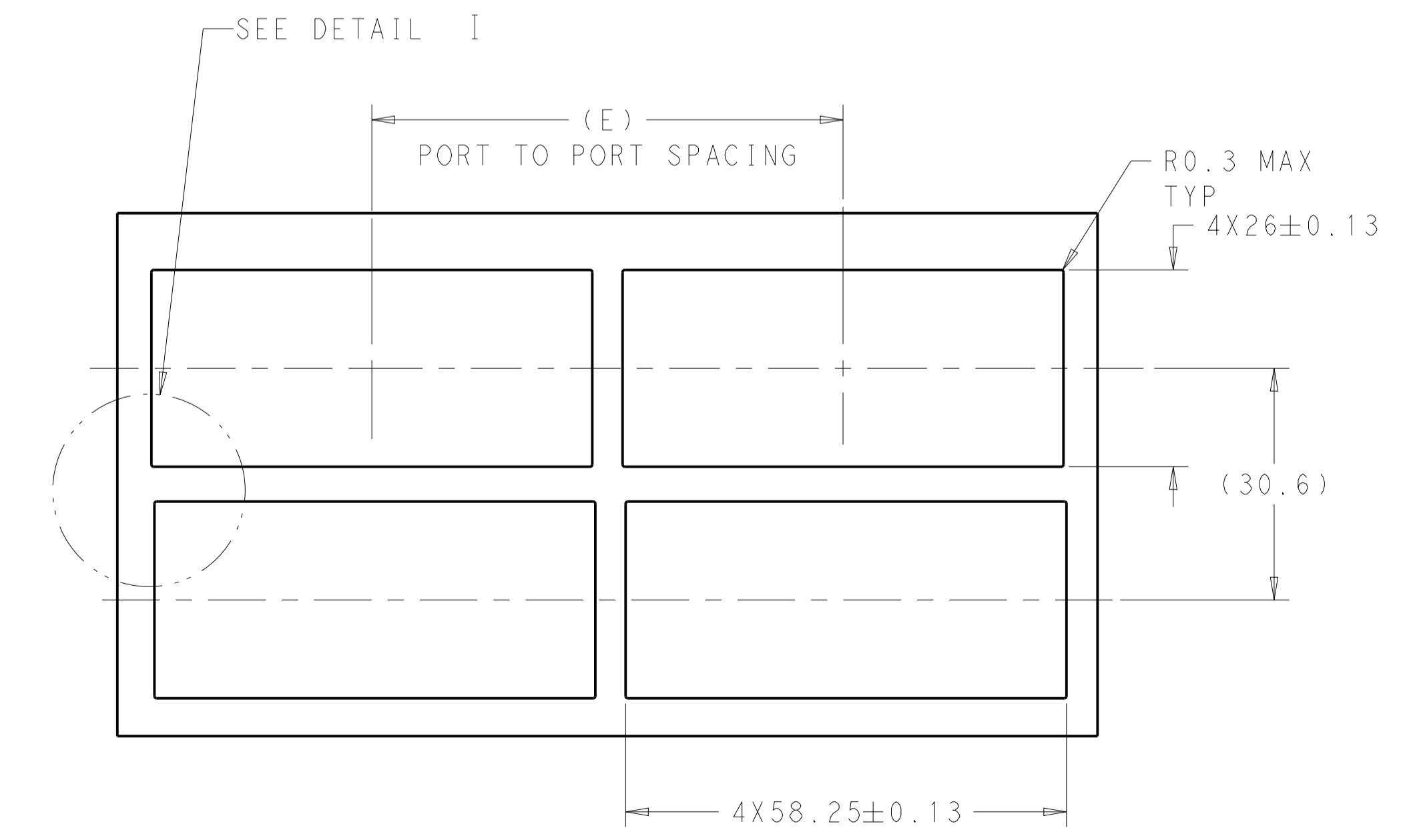
THIS DRAWING IS A CONTROLLED DOCUMENT.		OWN J. WANG 30MAY2019	TE Connectivity
DIMENSIONS: mm		CHK S. HAN 30MAY2019	
TOLERANCES UNLESS OTHERWISE SPECIFIED:		APPD S. HAN 30MAY2019	NAME RECEPTACLE ASSEMBLY, 2X4 zSFP+ STACKED BELLY TO BELLY
0 PLC ±		PRODUCT SPEC 108-60129	
1 PLC ±0.25		APPLICATION SPEC 114-13319	SIZE CAGE CODE DRAWING NO. RESTRICTED TO A100779 ©=2357514
2 PLC ±0.25		WEIGHT	
3 PLC ±0.25		CUSTOMER DRAWING	SCALE 3:1 SHEET 3 OF 4 REV B
4 PLC ±			
ANGLES			
FINISH			
SEE NOTES			

LOC		DIST		REVISIONS			
GP	00	P	LTN	DESCRIPTION	DATE	DWN	APVD
		-	-	SEE SHEET 1	-	-	-

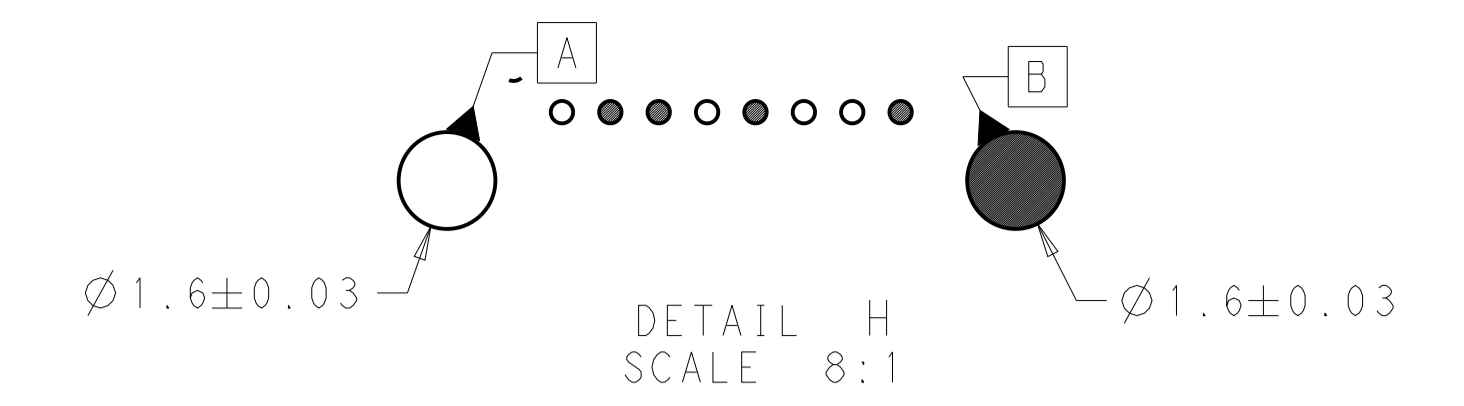


SCALE 3:1

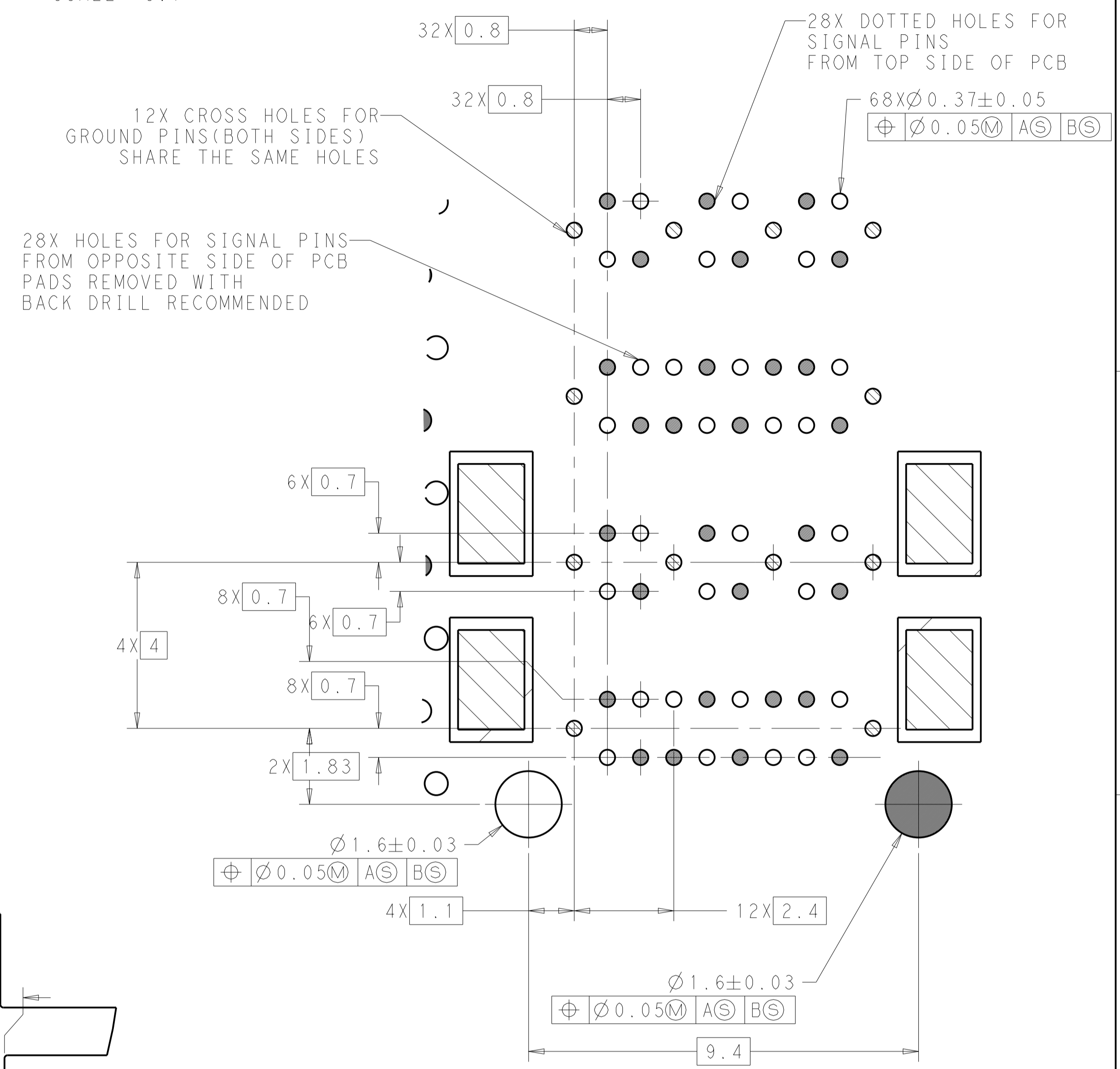
RECOMMENDED BELLY TO BELLY PCB LAYOUT
 UNMAKRED DIMENSIONS SAME AS SINGLE SIDE LAYOUT



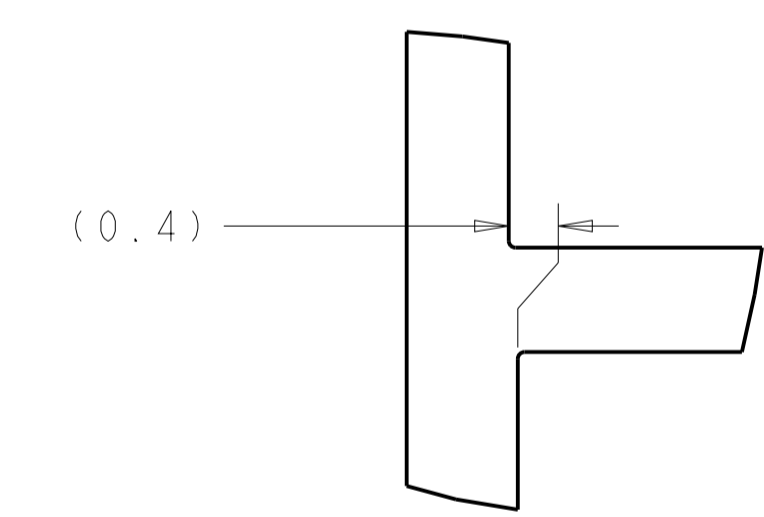
RECOMMENDED BEZEL CUT-OUT DETAIL
 FOR BELLY TO BELLY APPLICATION
 SCALE 3:2



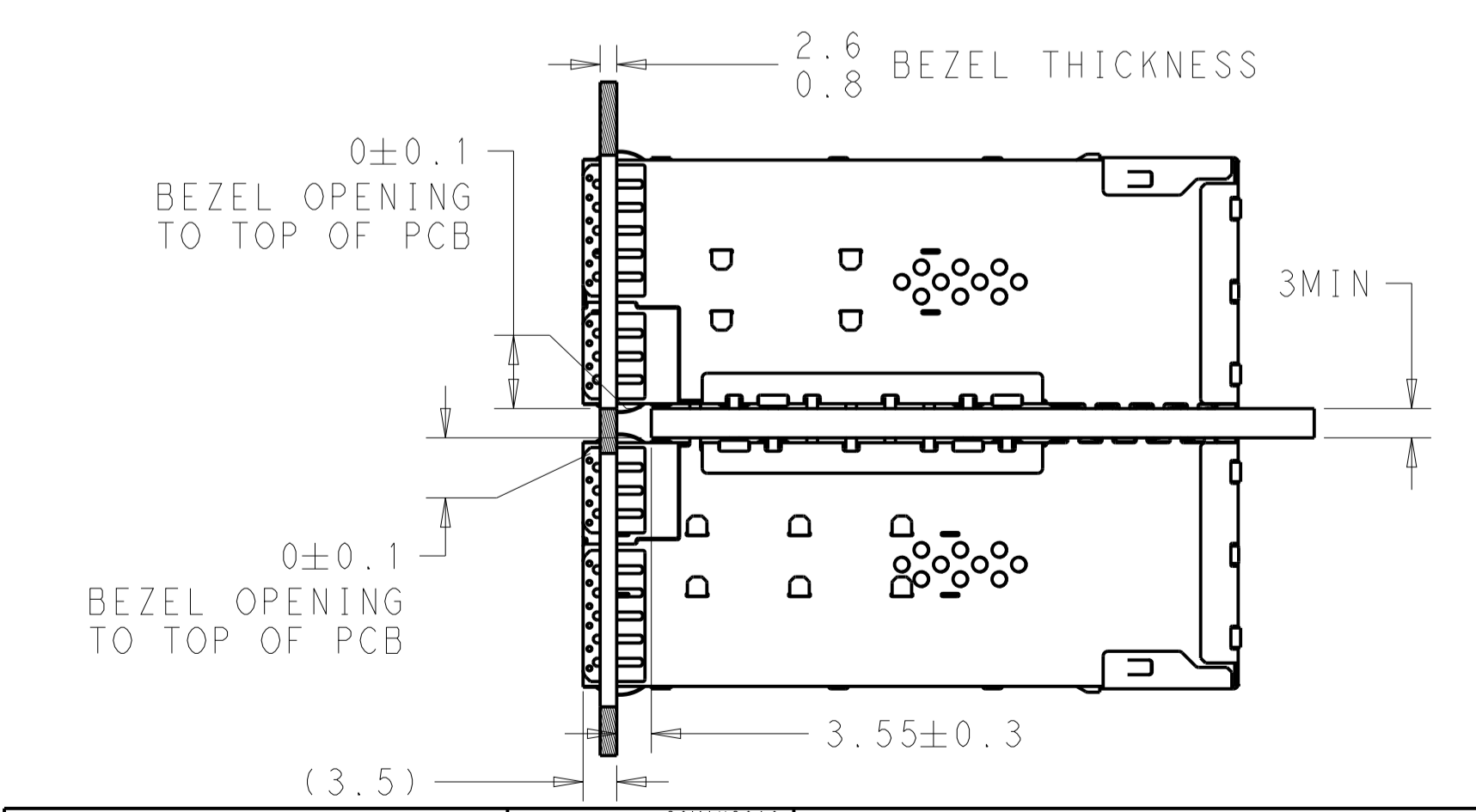
DETAIL H
 SCALE 8:1



DETAIL G
 4 SPACES
 SCALE 12:1



DETAIL I
 SCALE 3:1



THIS DRAWING IS A CONTROLLED DOCUMENT.		DWN J. WANG 30MAY2019	TE Connectivity
DIMENSIONS: mm		CHK S. HAN 30MAY2019	
TOLERANCES UNLESS OTHERWISE SPECIFIED:		APVD S. HAN 30MAY2019	NAME RECEPTACLE ASSEMBLY, 2X4 zSFP+ STACKED BELLY TO BELLY
0 PLC ±	1 PLC ±0.25	PRODUCT SPEC	108-60129
2 PLC ±0.25	3 PLC ±0.25	APPLICATION SPEC	114-13319
4 PLC ±	ANGLES ±	SIZE	CAGE CODE DRAWING NO A100779C=2357514
MATERIAL SEE NOTES	FINISH SEE NOTES	WEIGHT	RESTRICTED TO
CUSTOMER DRAWING		SCALE	3:1 SHEET 4 OF 4 REV B

X-ON Electronics

Largest Supplier of Electrical and Electronic Components

Click to view similar products for [Pluggable Terminal Blocks](#) category:

Click to view products by [TE Connectivity](#) manufacturer:

Other Similar products are found below :

[57.510.0053](#) [MC 1.5/ 6-ST-3.5 GY AU](#) [ET02015000J0G](#) [734-104](#) [734-302](#) [8-141-P](#) [8426620000](#) [860505](#) [860516](#) [860810](#) [GBPACX-12](#)
[93.731.4953.0](#) [PV05-5,08-K](#) [PVP03-3,50](#) [PVP04-3,50](#) [PVS02-5,00](#) [1-1986160-3](#) [1377680000](#) [1531000000](#) [1546228-5](#) [ELFH16150](#)
[ELFP03110](#) [ELFP10210](#) [ELFT06250](#) [ELVP03100](#) [1700101](#) [1700410](#) [1700425](#) [1702246](#) [1705229](#) [1710175](#) [1714537](#) [1717806](#) [1719600](#)
[1728941](#) [1734692](#) [1734795](#) [1736036](#) [1740194](#) [1740628](#) [1740990](#) [1746952](#) [1750207](#) [1752441](#) [1752865](#) [1754115](#) [1754144](#) [1756913](#)
[1760051](#) [1760336](#)