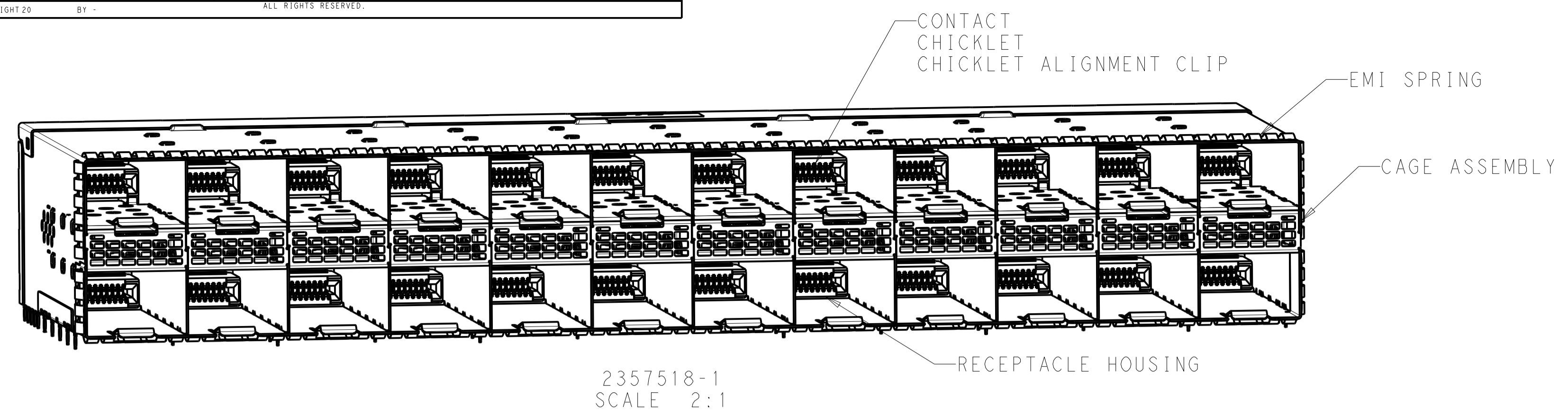
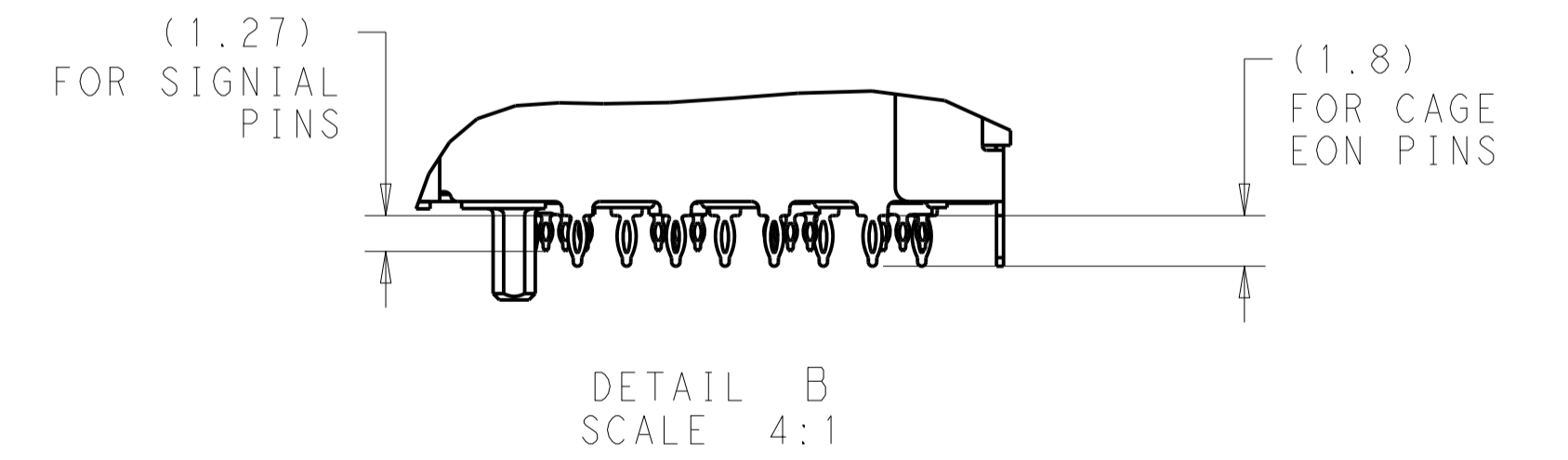
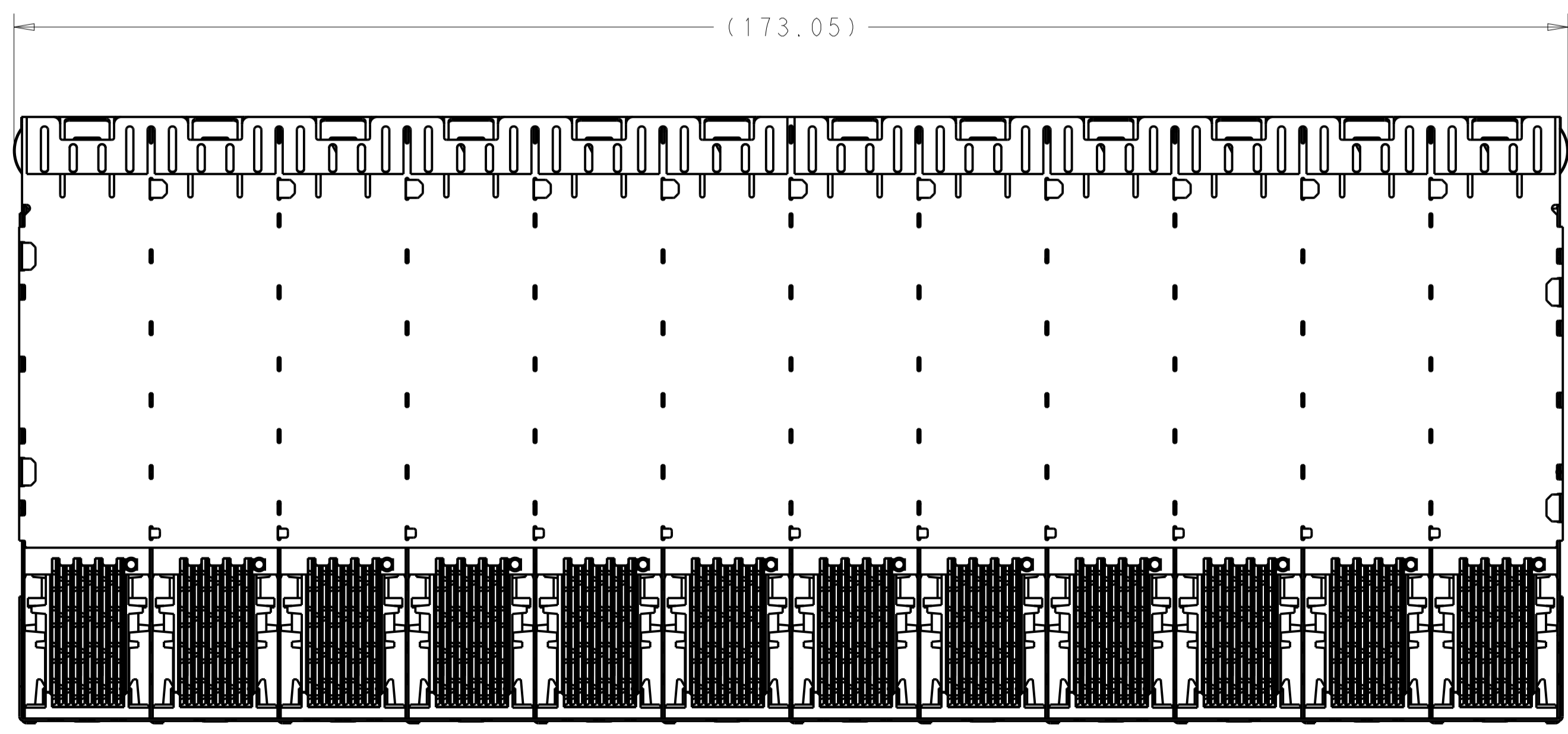
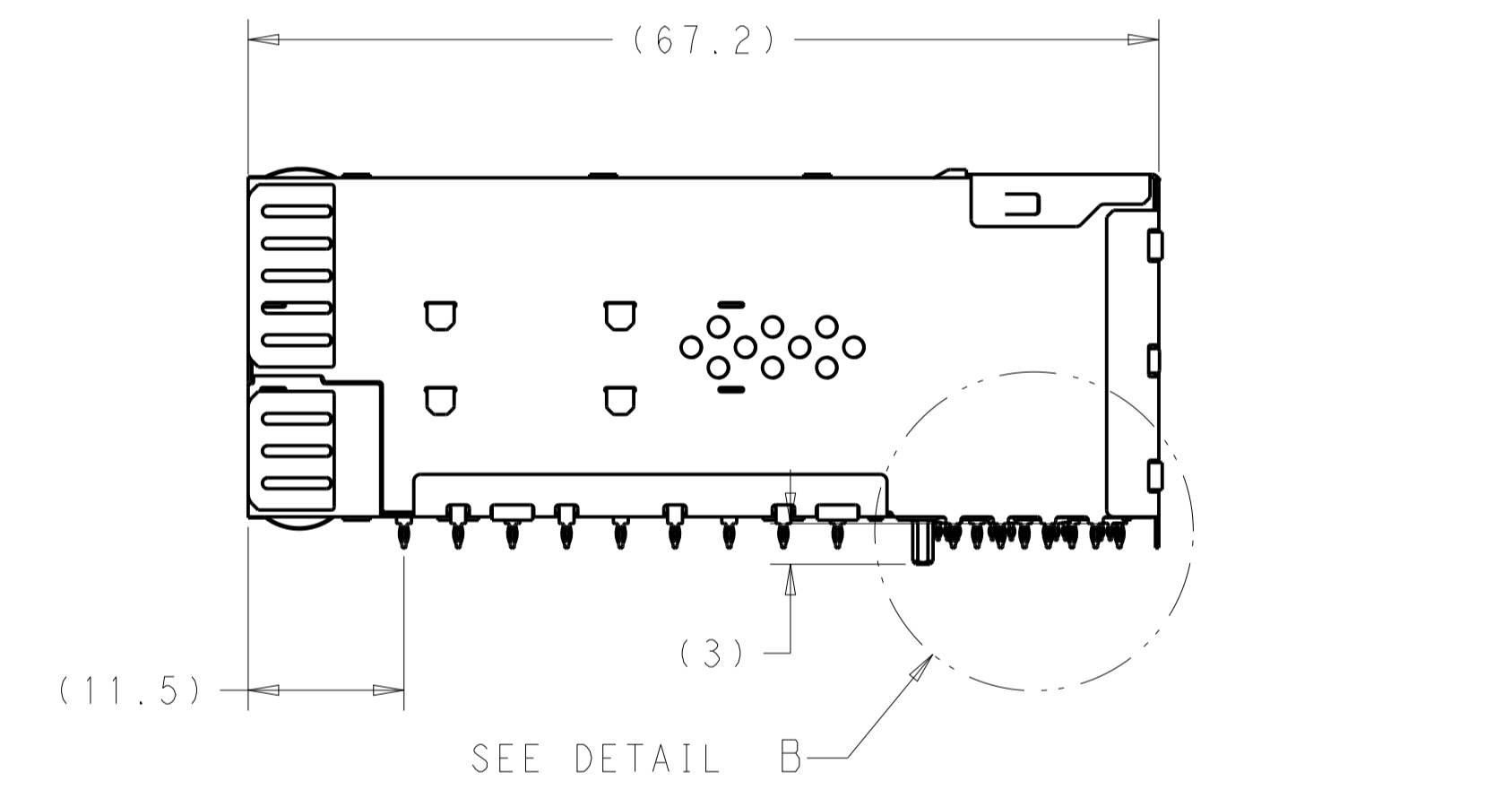
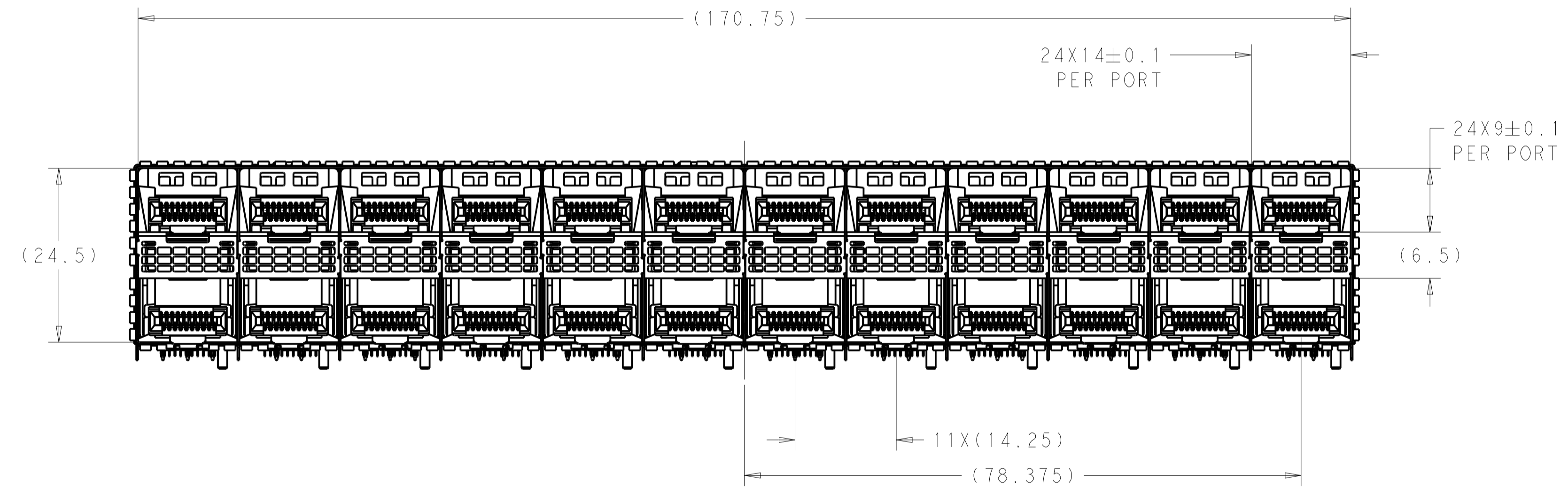


LOC	DIST	REVISIONS			
GP	00	REV	DATE	BY	CHK
		A	23OCT2019	JY	SH
		B	03SEP2020	JW	SH



- MATERIALS:
 CAGE ASSEMBLY - STAINLESS STEEL
 CONNECTOR HOUSING - LCP, BLACK, UL 94V-0 RATED
 CHICKLET - LCP, BLACK, UL 94V-0 RATED
 CHICKLET ALIGNMENT CLIP - PBT
 CONTACT - COPPER ALLOY
 EMI SPRINGS - PHOSPHOR BRONZE PER ASTM B 103,
 0.8µm MIN TIN OVER NICKEL PATING
- CONTACT FINISH:
 0.76µm MIN GOLD PER ASTM B 844 AT MATING INTERFACE,
 1.25µm MIN MATTE TIN PER ASTM B 545 AT PCB INTERFACE
 ALLOY 2.54µm MIN NICKEL PER QQ-N-290.
- PCB MINIMUM THICKNESS FOR SINGLE SIDE= 1.5mm MIN
 PCB MINIMUM THICKNESS FOR BELLY TO BELLY=3mm MIN

- △ FOR HOLE SIZE AND PLATINGS,
SEE APPLICATION SPECIFICATION 114-13319
- △ LIGHT PIPE PAD LAYOUT IS FOR 0805 LOW PROFILE
LED PACKAGE WITH A HEIGHT OF 0.5mm
- △ DIMENSIONS APPLY FOR EMI SPRINGS ONLY
- △ THE ENTIRE AREA OF THE CONNECTOR FOOTPRINT,
INDICATED BY THE DASHED LINE, TO BE CONSIDERED
THE KEEPOUT AREA FOR COMPONENTS AND SIGNAL TRACES,
TOP SIDE ONLY, TOP SIDE TRACES ALLOWED WITHIN
CONNECTOR HOLE PATTERN



173.5	EMI SPRINGS AIRFLOW ENHANCE TYPE	2357518-1
(E)	CAGE TYPE	PART NUMBER

THIS DRAWING IS A CONTROLLED DOCUMENT. DIMENSIONS: mm. TOLERANCES UNLESS OTHERWISE SPECIFIED: 0 PLC ±, 1 PLC ±0.25, 2 PLC ±0.25, 3 PLC ±0.25, 4 PLC ±, ANGLES ±.

OWN: J. WANG 30MAY2019
 CHK: S. HAN 30MAY2019
 APVD: S. HAN 30MAY2019

PRODUCT SPEC: 108-60129
 APPLICATION SPEC: 114-13319

WEIGHT: -
 CUSTOMER DRAWING

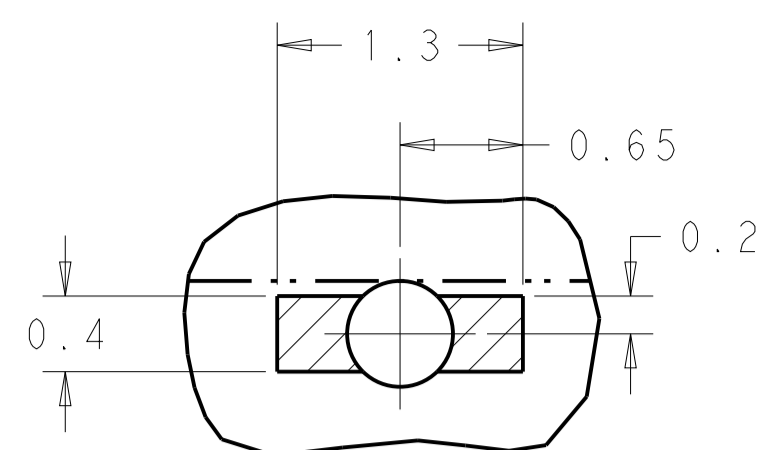
RESTRICTED TO: -

SCALE: 2:1 SHEET 1 OF 4 REV B

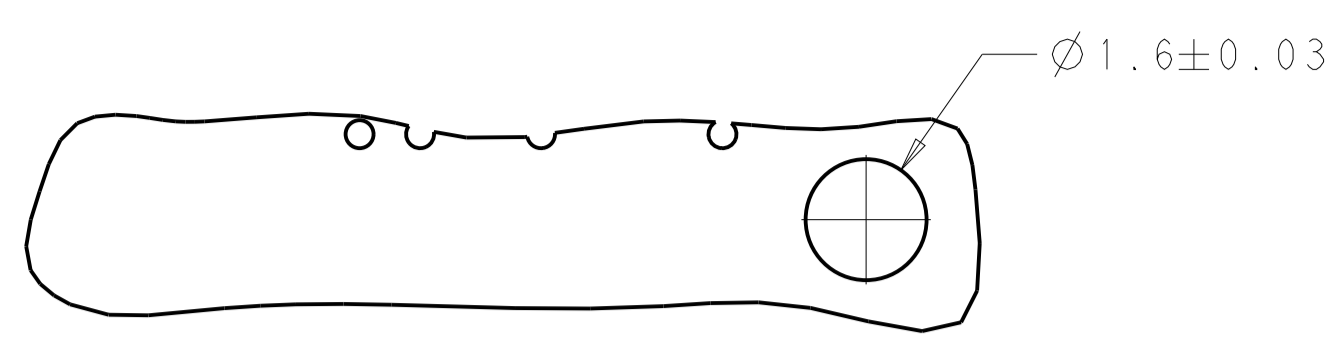
TE Connectivity
 RECEPTACLE ASSEMBLY, 2X12
 ZSFP+ STACKED BELLY TO BELLY

SIZE: CAGE CODE DRAWING NO: A100779
 DRAWING NO: C=2357518

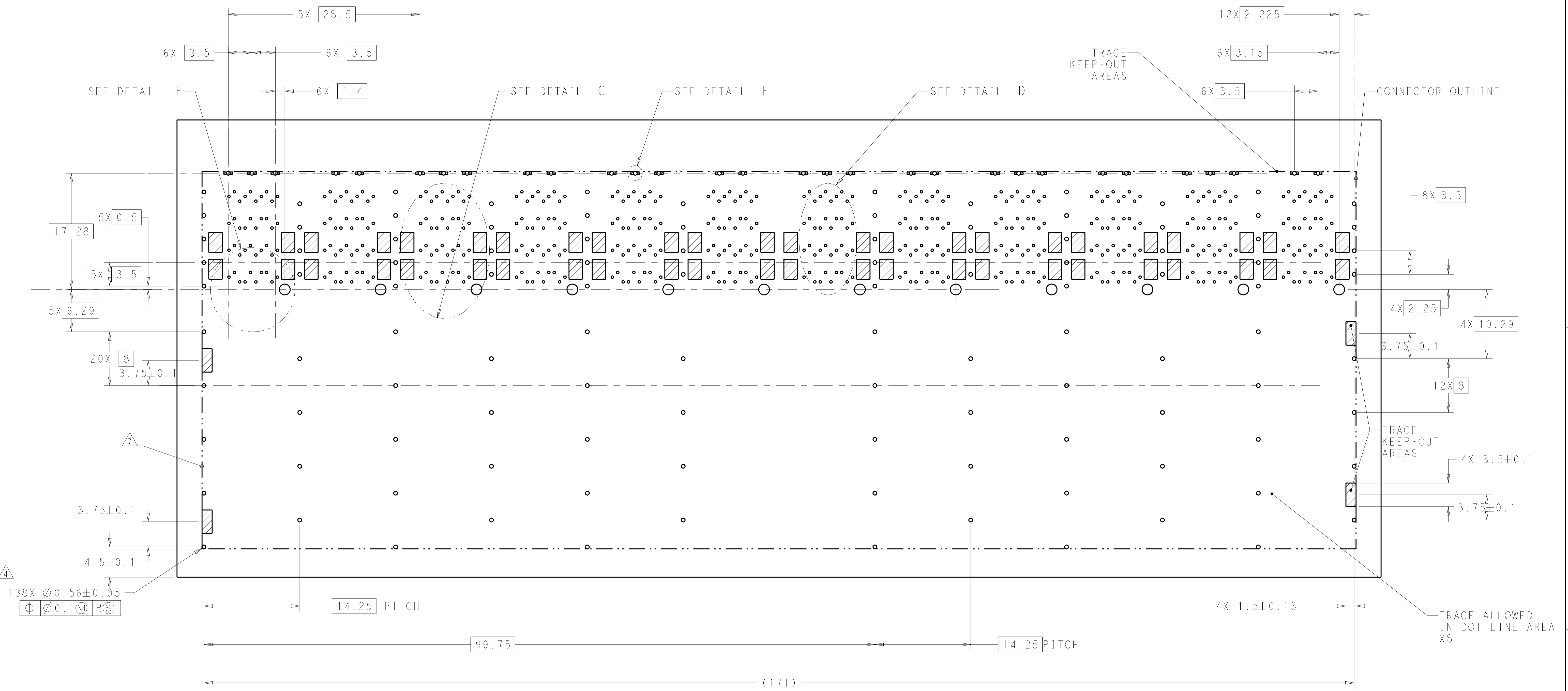
LOC	DIST	REVISIONS			
GP	00	REV	DATE	BY	APPV
		1	SEE SHEET 1		



DETAIL E
20 PLACES
SCALE 25:1



DETAIL F
8 PLACES
SCALE 10:1

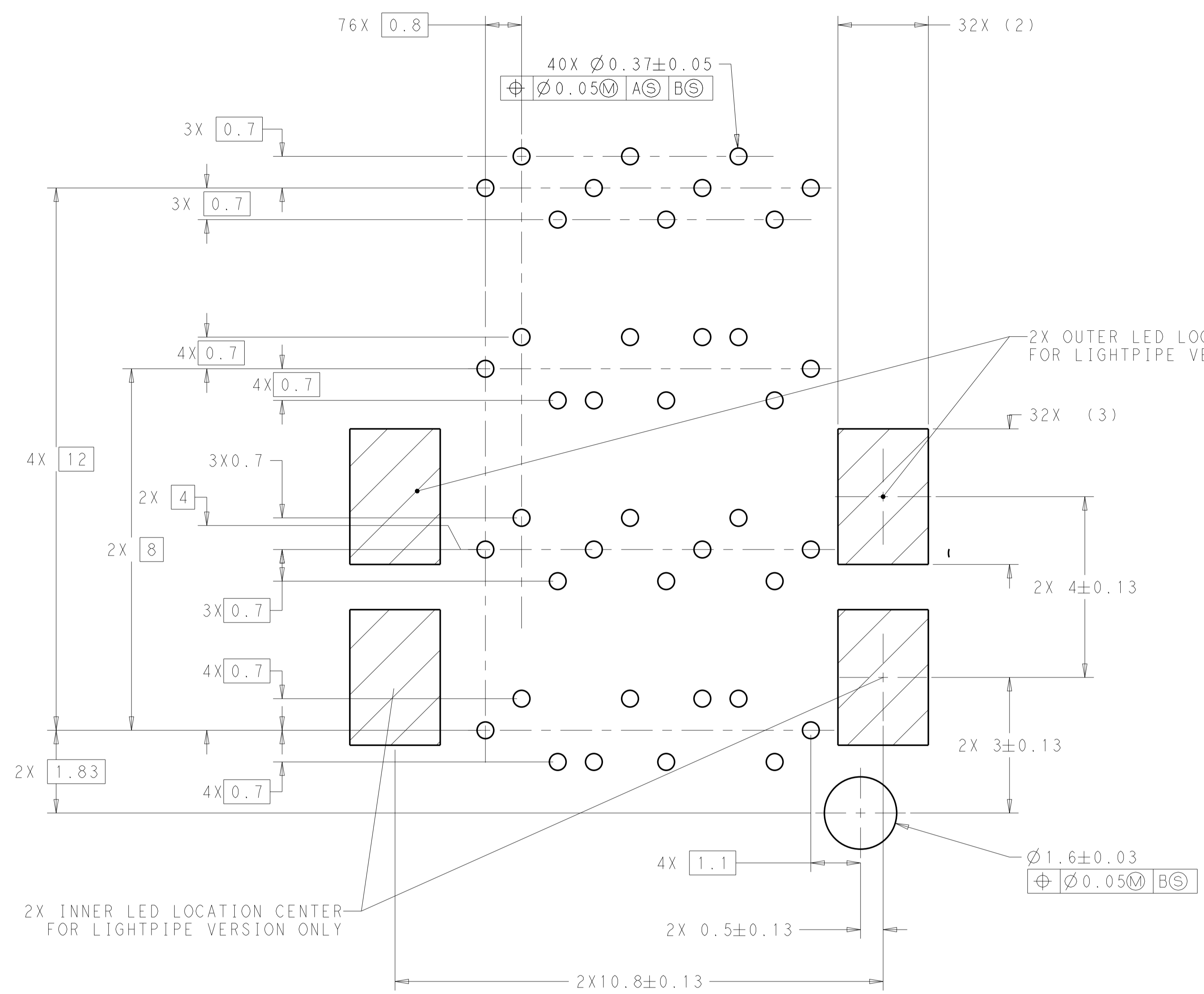


RECOMMENDED SINGLE SIDE PCB LAYOUT
SCALE 7:2

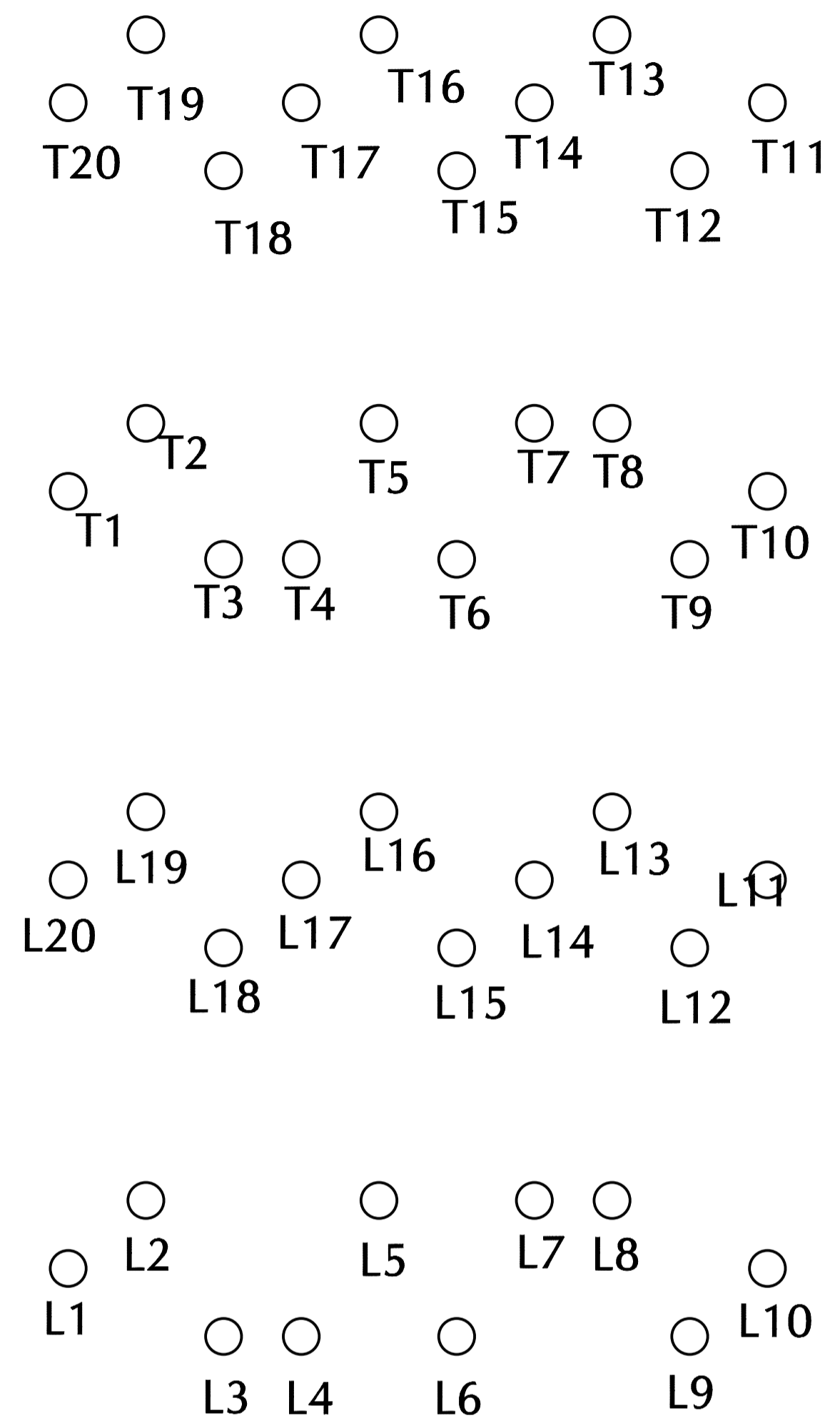
THIS DRAWING IS A CONTROLLED DOCUMENT.		OWN: J. WANG 30MAY2019	TE Connectivity
DIMENSIONS: mm		CHK: S. HAN 30MAY2019	
TOLERANCES UNLESS OTHERWISE SPECIFIED:		APVD: S. HAN 30MAY2019	NAME: RECEPTACLE ASSEMBLY, 2X12 ZSFP+ STACKED BELLY TO BELLY
0 PLC ±0.25	1 PLC ±0.25	PRODUCT SPEC: 108-60129	SIZE: 114-13319
2 PLC ±0.25	3 PLC ±0.25	APPLICATION SPEC: 114-13319	RESTRICTED TO: A100779
4 PLC ±0.25	ANGLES ±0.1	WEIGHT: -	SCALE: 3:1
MATERIAL: SEE NOTES	FINISH: SEE NOTES	CUSTOMER DRAWING	SHEET 2 OF 4 REV B

LOC	DIST	REV	DATE	BY	APPV
GP	00				

REVISIONS			
REV	DATE	BY	APPV
-	-	-	-
SEE SHEET 1			

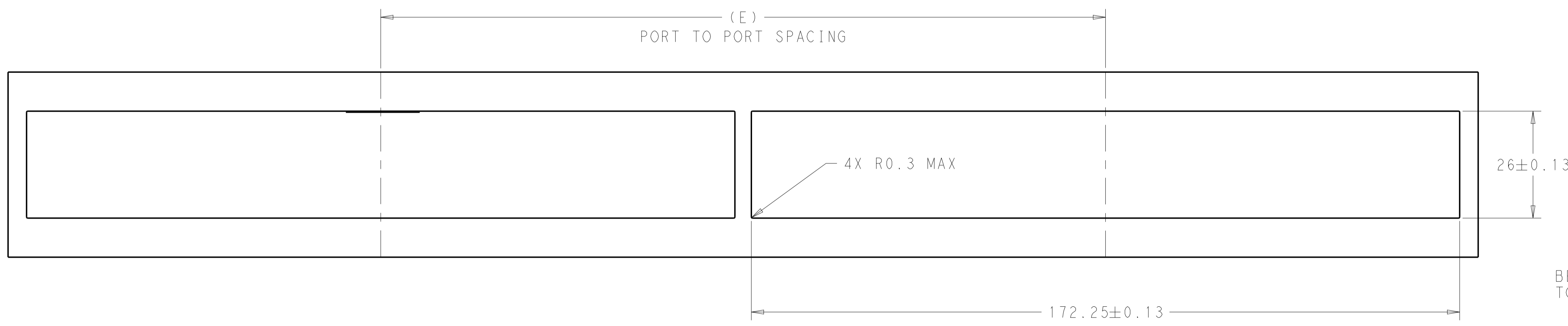


DETAIL C
 RECOMMENDED PIN AND LIGHT PIPE LAYOUT
 12X INDIVIDUALLY
 SCALE 15:1

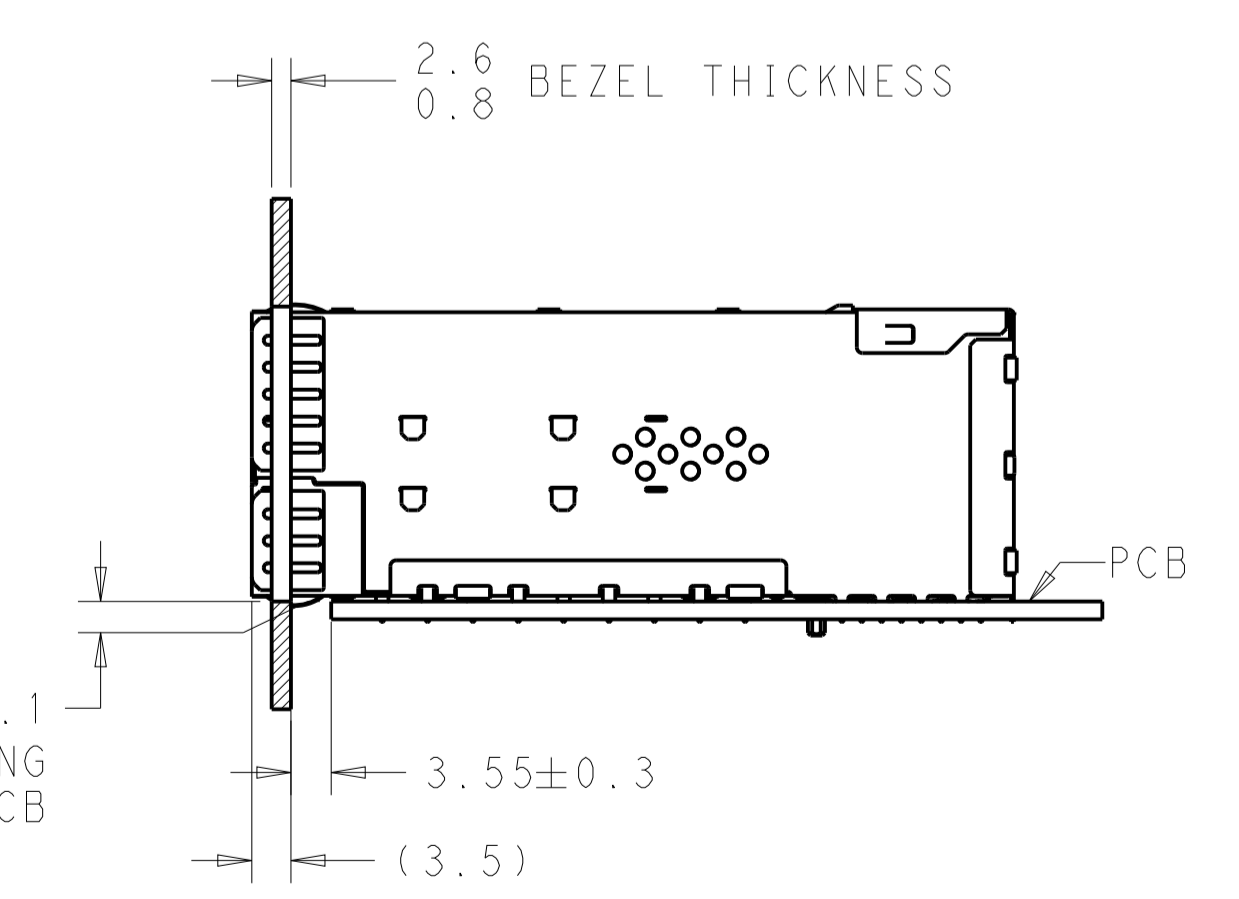


PIN MAP LEGEND	
PIN NUMBER	FUNCTION
L1/T1	VEET
L2/T2	TX-FAULT
L3/T3	TX-DISABLE
L4/T4	SDA
L5/T5	SCL
L6/T6	MOD_ABS
L7/T7	RSO
L8/T8	RX_LOS
L9/T9	RS1
L10/T10	VEER
L11/T11	VEER
L12/T12	RD-
L13/T13	RD+
L14/T14	VEER
L15/T15	VCCR
L16/T16	VCCT
L17/T17	VEET
L18/T18	TD+
L19/T19	TD-
L20/T20	VEET

DETAIL D
 PIN MAP
 8X PLACES
 SCALE 18:1



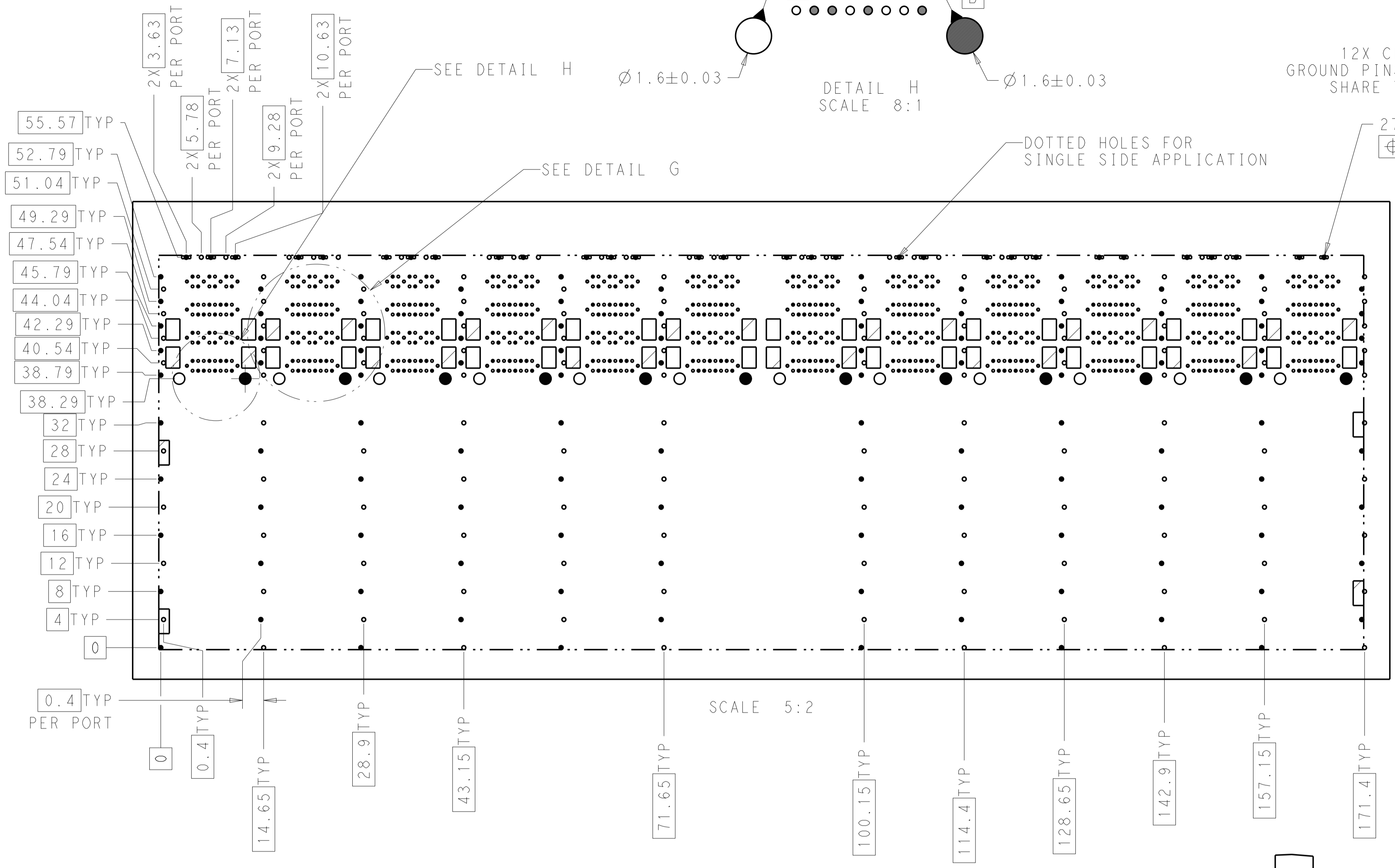
RECOMMENDED BEZEL CUT-OUT DETAIL
 SCALE 3:2



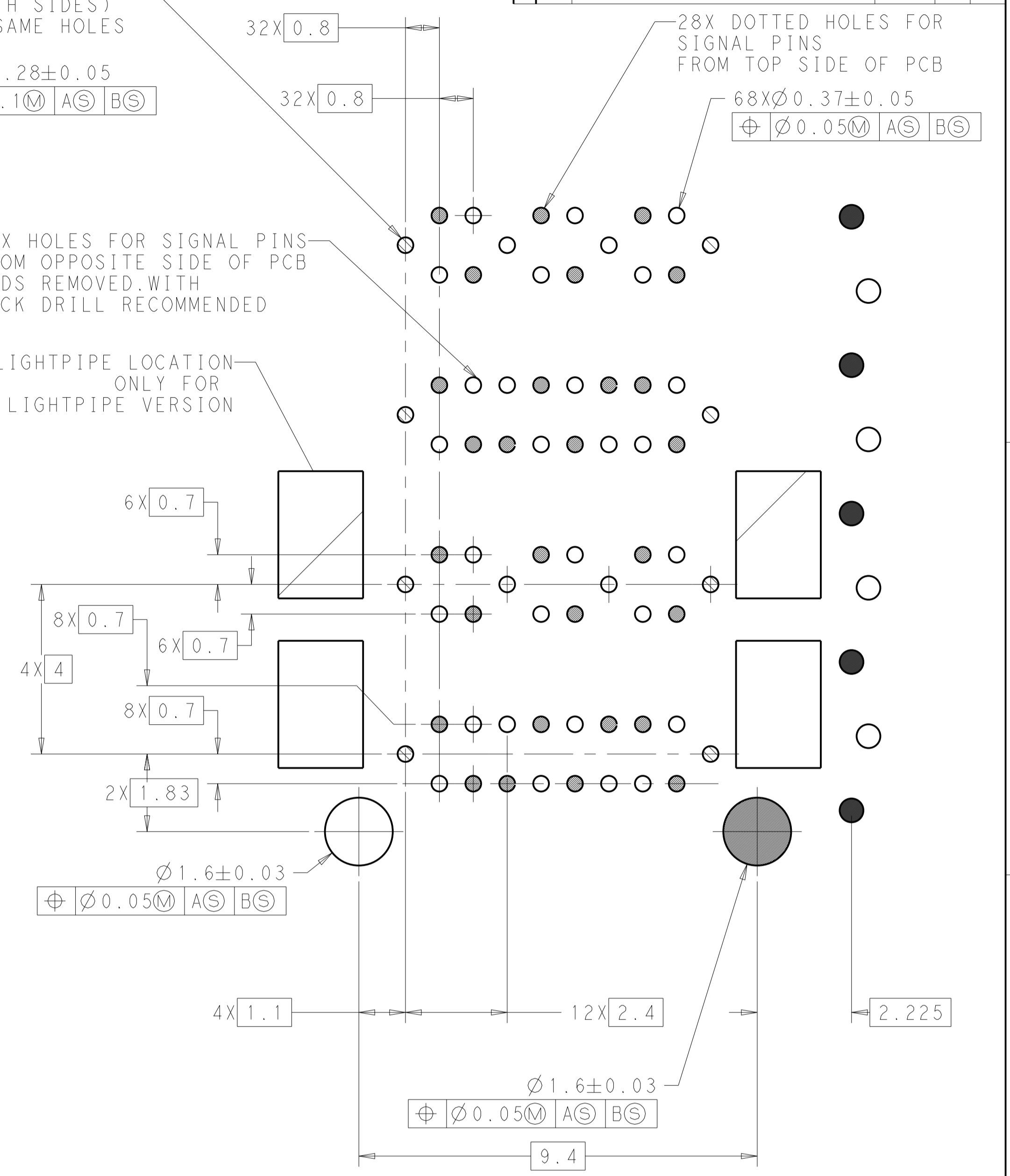
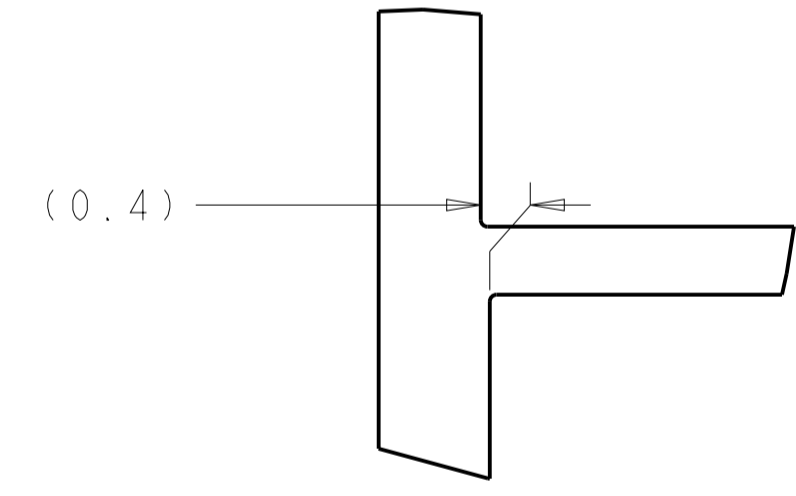
THIS DRAWING IS A CONTROLLED DOCUMENT.		DWN J. WANG 30MAY2019 CHK S. HAN 30MAY2019 APVD S. HAN 30MAY2019	TE Connectivity
DIMENSIONS: mm 	TOLERANCES UNLESS OTHERWISE SPECIFIED: 0 PLC ± 1 PLC ±0.25 2 PLC ±0.25 3 PLC ±0.25 4 PLC ± ANGLES ±	PRODUCT SPEC 108-60129 APPLICATION SPEC 114-13319	
MATERIAL SEE NOTES	FINISH SEE NOTES	SIZE CAGE CODE DRAWING NO A100779C=2357518	RESTRICTED TO SCALE 3:1 SHEET 3 OF 4 REV B

LOC	DIST	REV	DATE	APPV
GP	00			

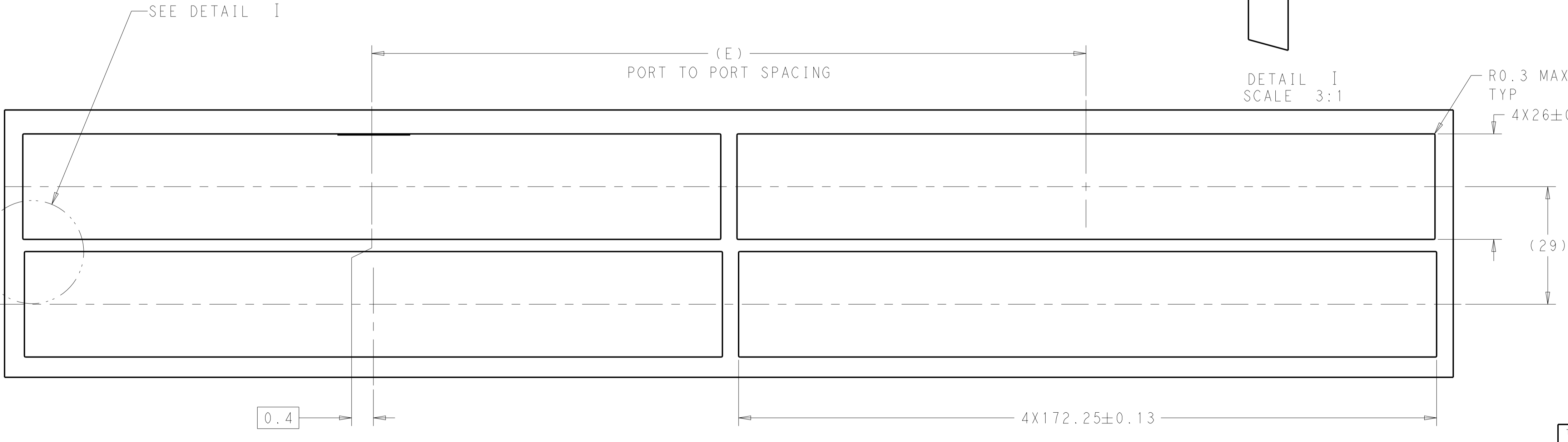
REVISIONS				
NO.	DESCRIPTION	DATE	BY	APPV
1	SEE SHEET 1			



RECOMMENDED BELLY TO BELLY PCB LAYOUT
UNMAKRED DIMENSIONS SAME AS SINGLE SIDE LAYOUT



DETAIL G
12 SPACES
SCALE 12:1



RECOMMENDED BEZEL CUT-OUT DETAIL
FOR BELLY TO BELLY APPLICATION
SCALE 3:2

THIS DRAWING IS A CONTROLLED DOCUMENT.		OWN J. WANG 30MAY2019	CHK S. HAN 30MAY2019	APV S. HAN 30MAY2019
DIMENSIONS:	TOLERANCES UNLESS OTHERWISE SPECIFIED:	PRODUCT SPEC		
mm	0 PLC ±0.25 1 PLC ±0.25 2 PLC ±0.25 3 PLC ±0.25 4 PLC ±0.25	108-60129		
	ANGLES	APPLICATION SPEC		
MATERIAL	FINISH	114-13319	SIZE CAGE CODE DRAWING NO	
SEE NOTES	SEE NOTES	WEIGHT	A100779C=2357518	
		CUSTOMER DRAWING	SCALE 3:1	SHEET 4 OF 4 REV B

X-ON Electronics

Largest Supplier of Electrical and Electronic Components

Click to view similar products for [Pluggable Terminal Blocks](#) category:

Click to view products by [TE Connectivity](#) manufacturer:

Other Similar products are found below :

[57.510.0053](#) [MC 1.5/ 6-ST-3.5 GY AU](#) [ET02015000J0G](#) [734-104](#) [734-302](#) [8-141-P](#) [8426620000](#) [860505](#) [860516](#) [860810](#) [GBPACX-12](#)
[PV05-5,08-K](#) [PVP02-5,00](#) [PVP03-3,50](#) [PVP04-3,50](#) [PVS02-5,00](#) [1-1986160-3](#) [1377680000](#) [1531000000](#) [1546228-5](#) [ELFH16150](#)
[ELFP03110](#) [ELFP10210](#) [ELFT06250](#) [ELVP03100](#) [1700101](#) [1700410](#) [1700425](#) [1702246](#) [1705229](#) [1710175](#) [1714537](#) [1717806](#) [1719600](#)
[1728941](#) [1734692](#) [1734795](#) [1736036](#) [1740194](#) [1740628](#) [1740990](#) [1746952](#) [1750207](#) [1752441](#) [1752865](#) [1754115](#) [1754144](#) [1756913](#)
[1760051](#) [1760336](#)