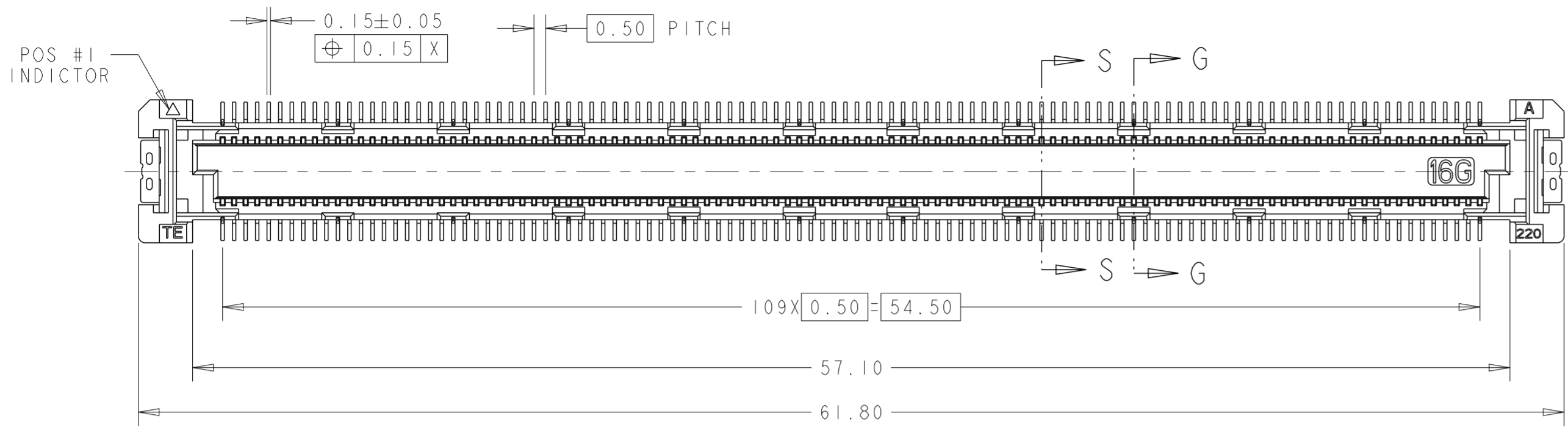
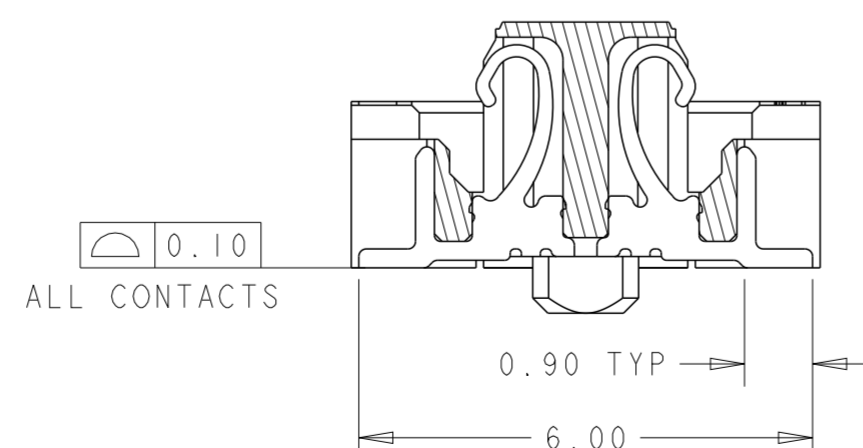
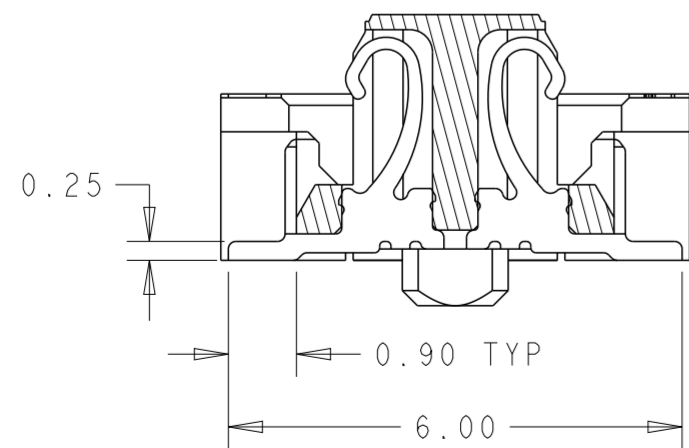
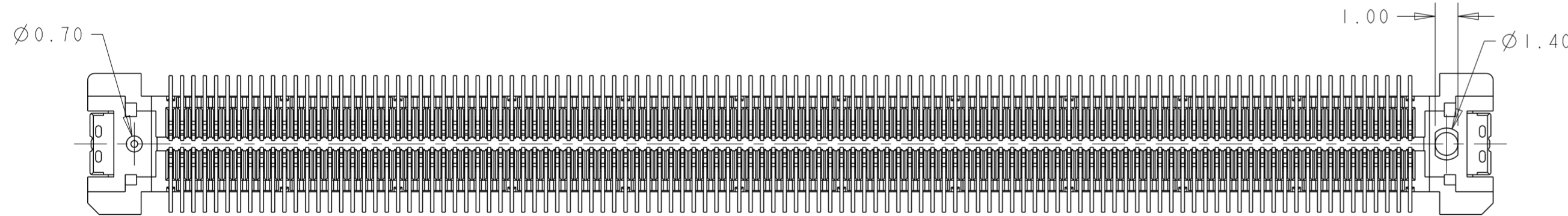
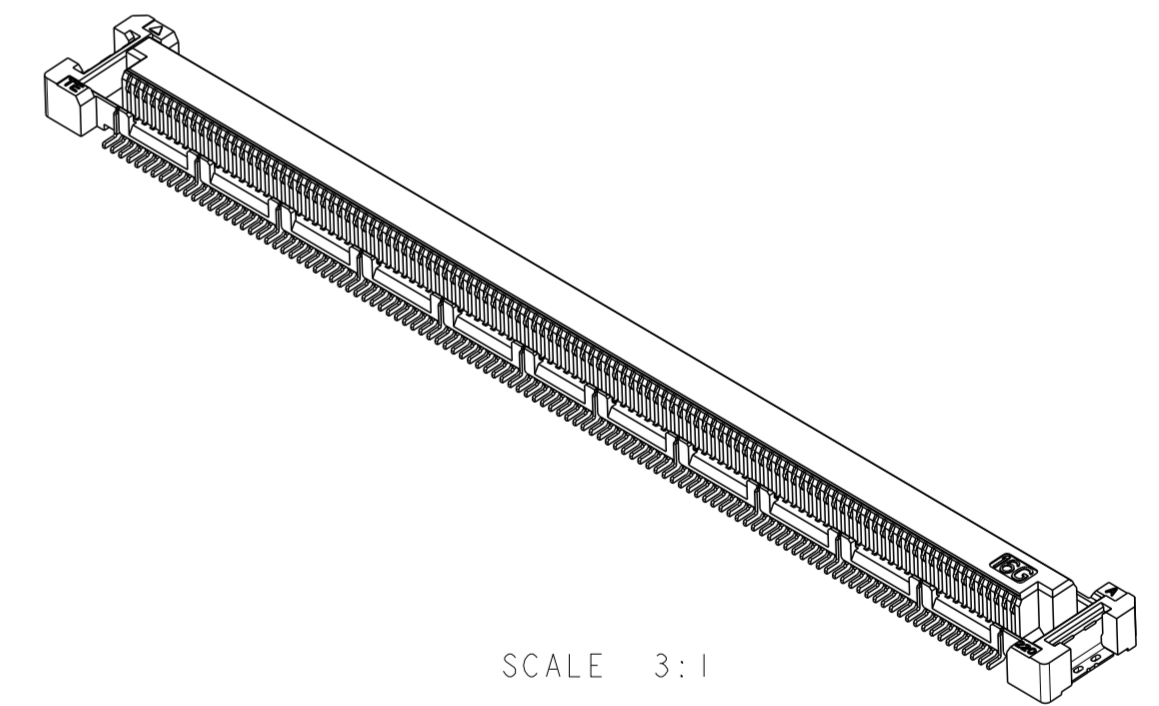
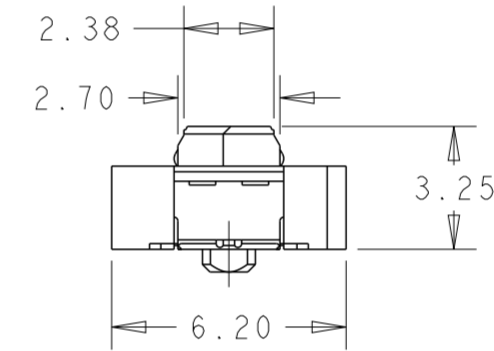
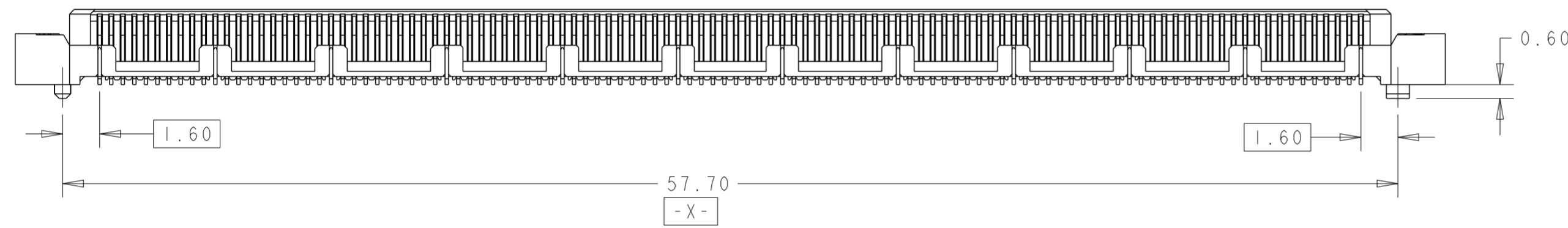


P	LTR	DESCRIPTION	DATE	DWN	APVD
4		SOLDER AREA GOLD FLASH	12OCT2019	AL	HL
5		ADD NEW PARTS	20JULY2020	A.L	H.L
A		FORMAL RELEASE	13OCT2020	A.L	H.L
AI		REVISE PER ECN-21-102315	12APR2021	A.L	H.L



NOTES:

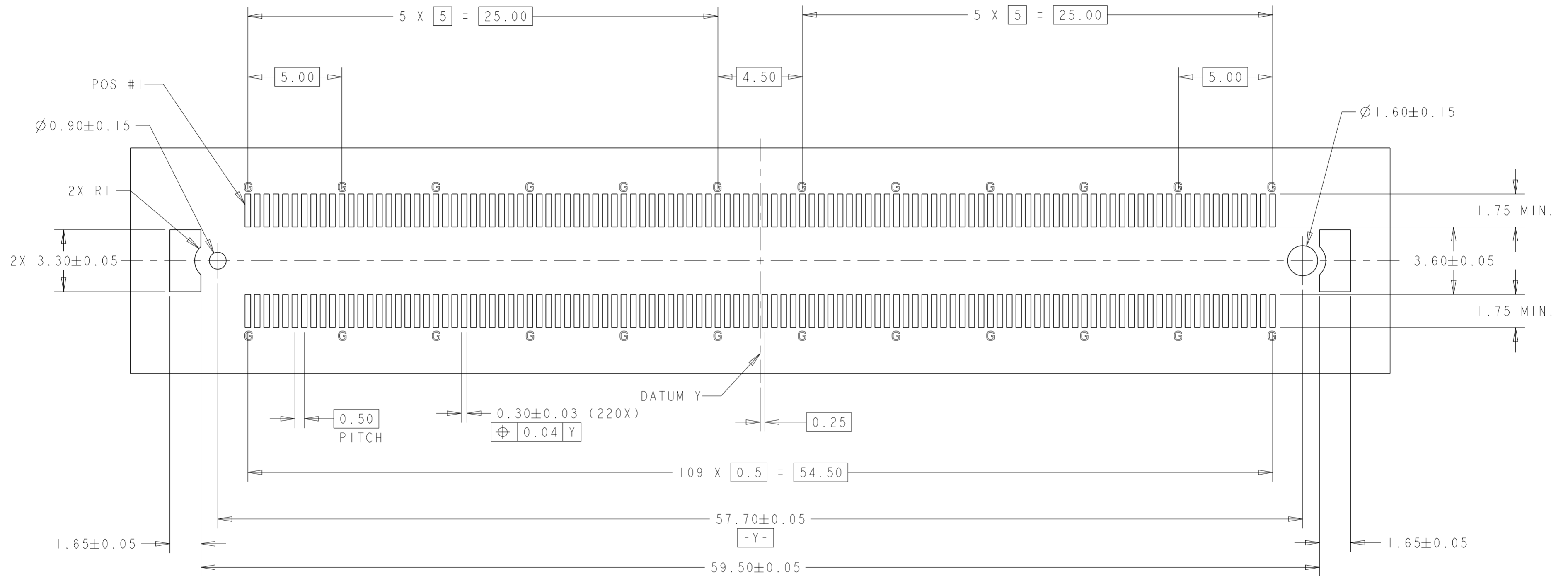
- MATERIAL
 HOUSING : HIGH TEMP THERMO PLASTIC UL94V-0
 CONTACT : COPPER ALLOY
 SOLDER PEG : COPPER ALLOY
- FINISH
 UNDERPLATED : 1.27um MIN. NICKEL ALL OVER
 CONTACT MATING AREA : MEETS THE PERFORMANCE REQUIREMENTS OF TE CONNECTIVITY PRODUCT SPECIFICATION 108-32658.
 SOLDER AREA : GOLD FLASH



DESCRIPTION	FINISH	QTY
HARD TRAY	WITH/BLACK	2357739-5
TAPE & REEL	WITH/WHITE	2357739-3
HARD TRAY	WITH/WHITE	2357739-2
HARD TRAY	WITHOUT	2357739-1
PACKAGE	CAP	P/N


THIS DRAWING IS A CONTROLLED DOCUMENT.		DWN	ART LIN	11JUN2019	TE Connectivity	NAME 4H RECEPTACLE ASSY 220POS FH 0.5 BTB 16Gbps WITH G-CONTACT
DIMENSIONS: mm		CHK	HOPE LU	10OCT2019		
TOLERANCES UNLESS OTHERWISE SPECIFIED:		APVD	HOPE LU	10OCT2019		
0 PLC ±1 1 PLC ±0.3 2 PLC ±0.15 3 PLC ±0.05 4 PLC ±0.0250 ANGLES ±3° FINISH		PRODUCT SPEC	108-32658	APPLICATION SPEC		
MATERIAL	SEE NOTE 1	114-115003	WEIGHT	-	SIZE	A200779
SEE NOTE 2		CUSTOMER DRAWING	SCALE	1:1	SHEET	OF 5
					REV	AI

P	LTR	DESCRIPTION	DATE	DWN	APVD
-		SEE SHEET 1	-	-	-



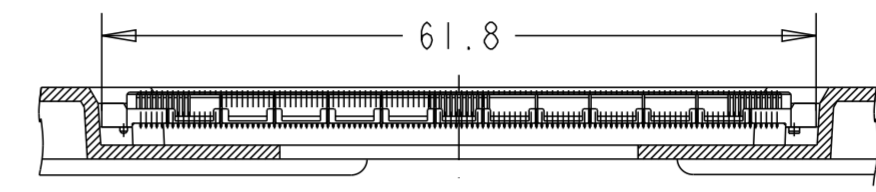
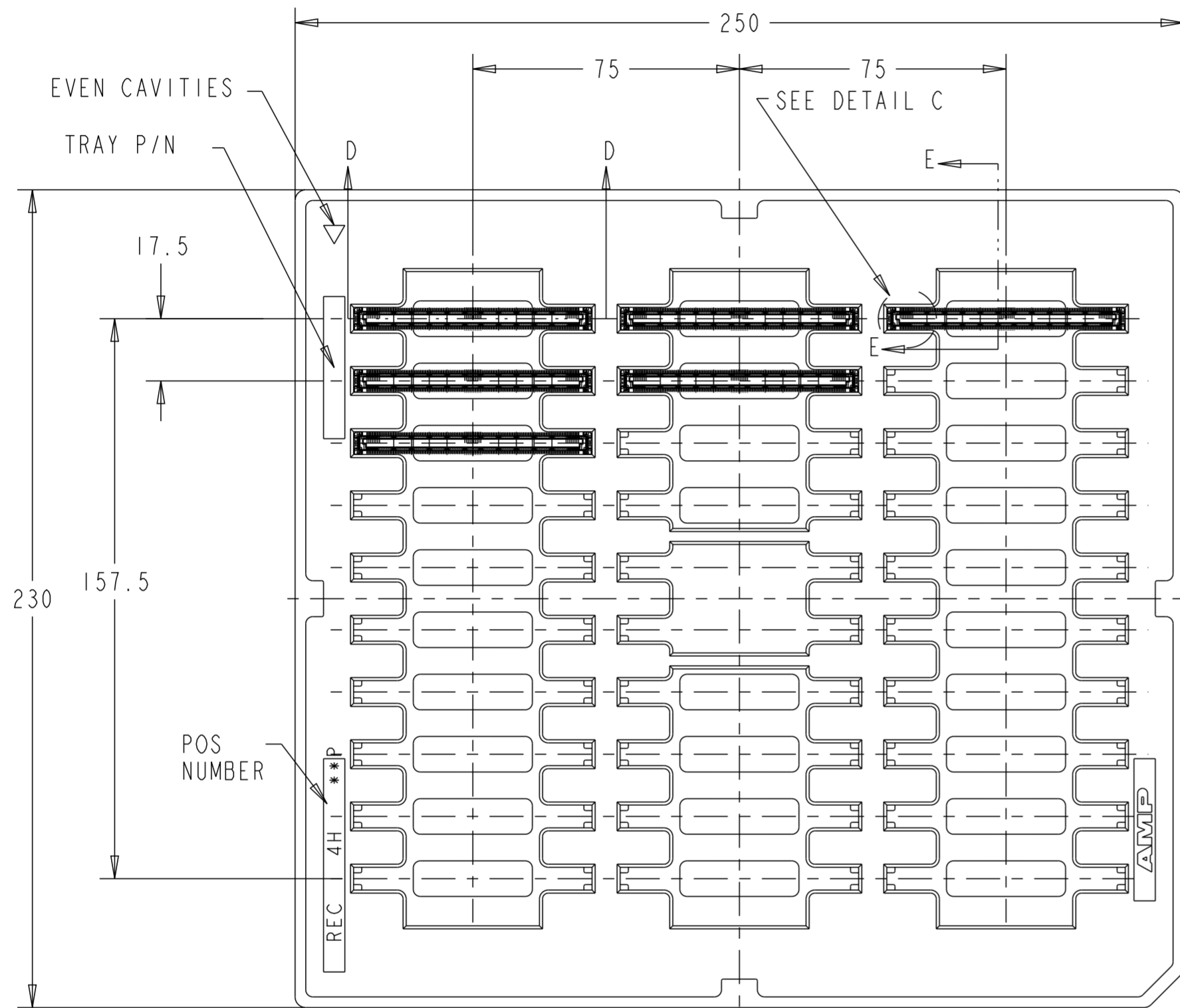
REFERENCE P.C. BOARD LAYOUT

G: Ground

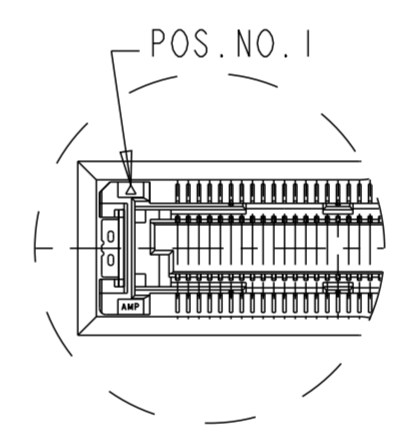
THIS DRAWING IS A CONTROLLED DOCUMENT.		DWN ART LIN 11 JUN 2019	 TE Connectivity	
DIMENSIONS: mm		CHK HOPE LU 10 OCT 2019		
TOLERANCES UNLESS OTHERWISE SPECIFIED:		APVD HOPE LU 10 OCT 2019	NAME 4H RECEPTACLE ASSY 220POS FH 0.5 BTB 16Gbps WITH G-CONTACT	
0 PLC ±1 1 PLC ±0.3 2 PLC ±0.15 3 PLC ±0.05 4 PLC ±0.0250 ANGLES ±3°		PRODUCT SPEC 108-32658	SIZE A200779	
MATERIAL - SEE NOTE 1		APPLICATION SPEC 114-115003	CAGE CODE C-2357739	DRAWING NO -
FINISH - SEE NOTE 2		WEIGHT -	RESTRICTED TO -	SCALE 1:1
CUSTOMER DRAWING		SHEET 2 OF 5		REV A1

WITHOUT PICK UP CAP
2357739-1

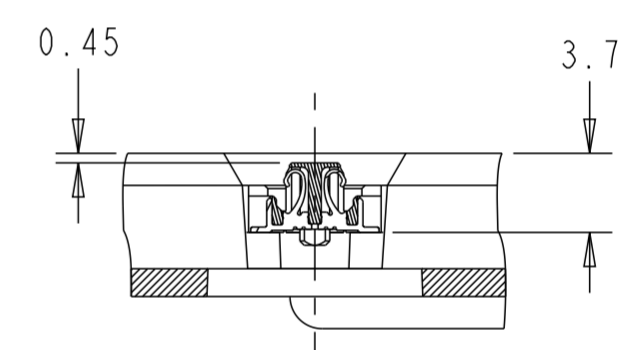
REVISIONS				
P	LTR	DESCRIPTION	DATE	APVD
-		SEE SHEET 1	-	-



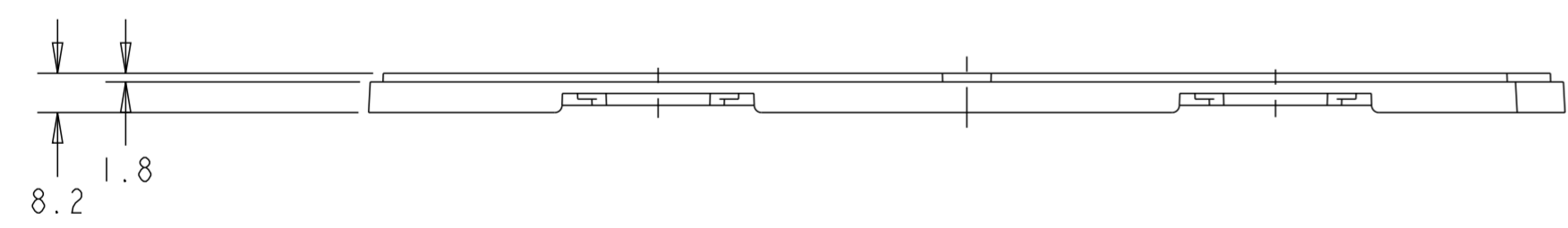
SECT. D-D
(SCALE 2:1)
(CONNECTOR NOT SECTION)




DETAIL C
(SCALE 2:1)

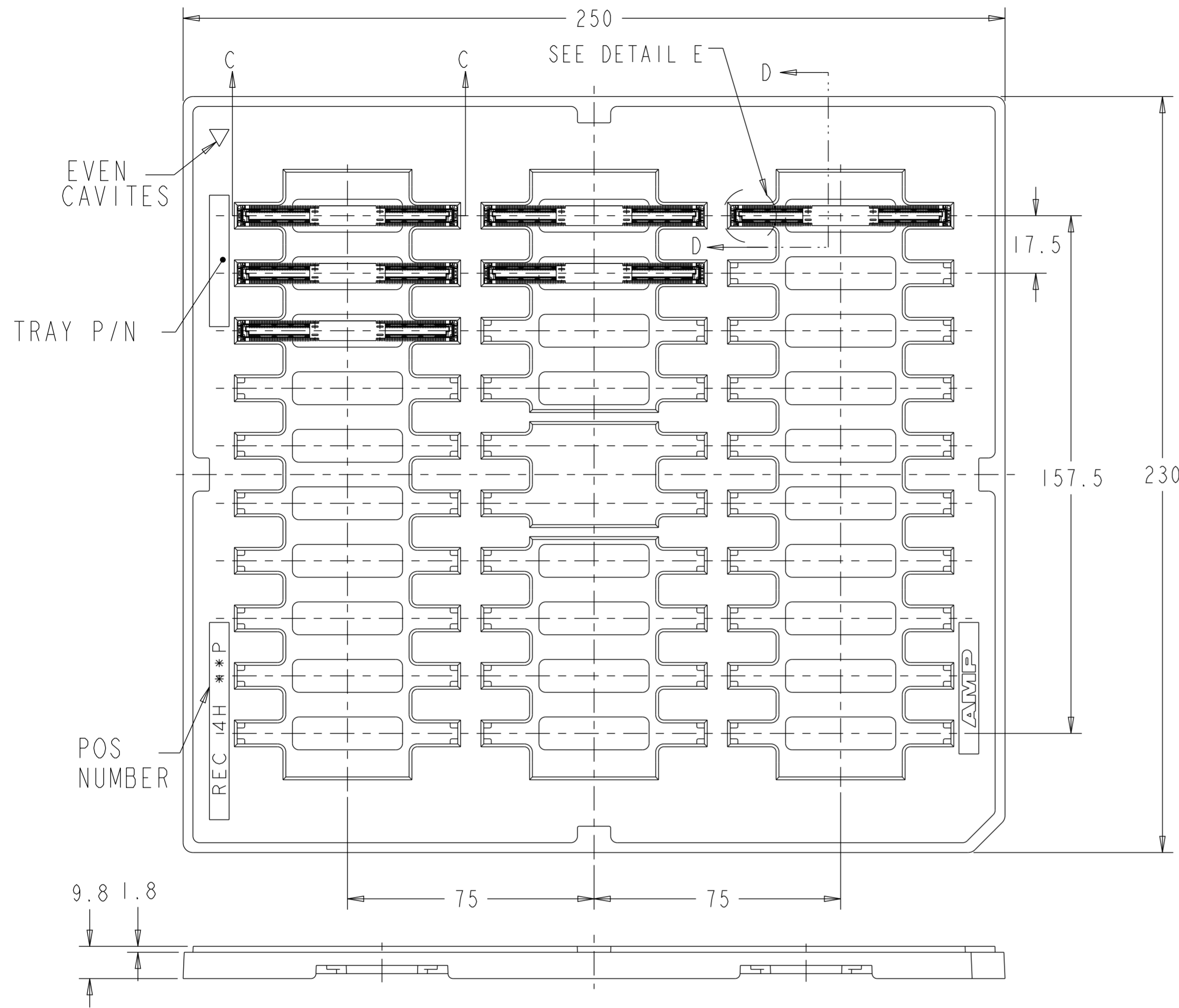


E-E
(SCALE 2:1)

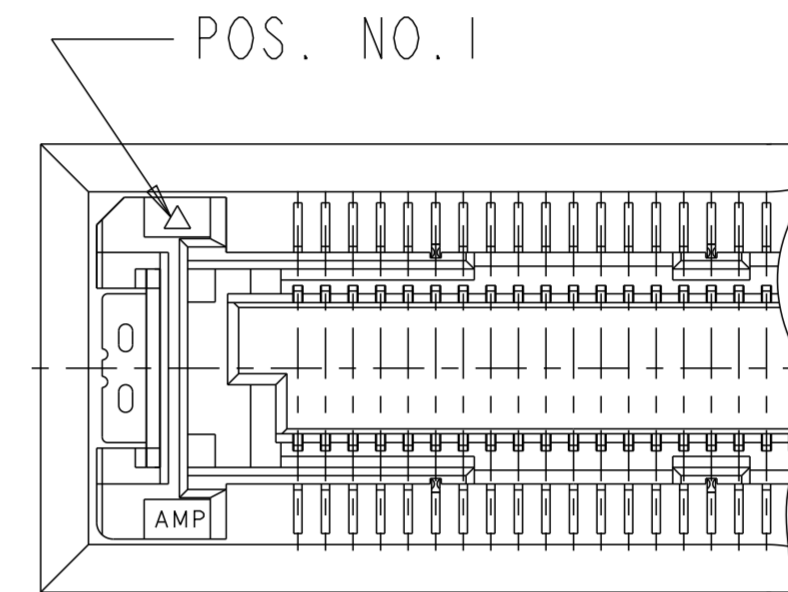


THIS DRAWING IS A CONTROLLED DOCUMENT.		DWN ART LIN 11 JUN 2019	 TE Connectivity	
DIMENSIONS: mm		CHK HOPE LU 10 OCT 2019		
TOLERANCES UNLESS OTHERWISE SPECIFIED:		APVD HOPE LU 10 OCT 2019	NAME 4H RECEPTACLE ASSY 220POS FH 0.5 BTB 16Gbps WITH G-CONTACT	
0 PLC ±1		PRODUCT SPEC 108-32658	SIZE A200779	
1 PLC ±0.3		APPLICATION SPEC 114-115003	CAGE CODE C-2357739	
2 PLC ±0.15		WEIGHT -	DRAWING NO -	
3 PLC ±0.05		RESTRICTED TO -		
4 PLC ±0.0250		SCALE 1:1		
ANGLES ±3°		SHEET 3 OF 5		
FINISH -		REV A1		
MATERIAL -		CUSTOMER DRAWING		
SEE NOTE 1		SEE NOTE 2		

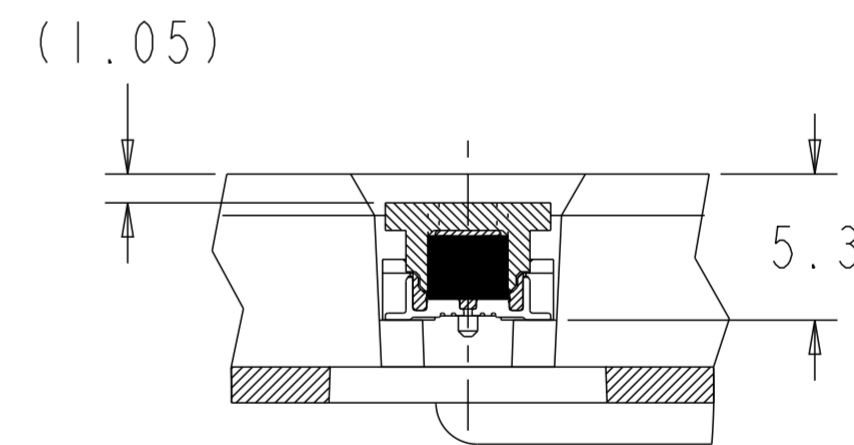
REVISIONS					
P	LTR	DESCRIPTION	DATE	DWN	APVD
-	-	SEE SHEET 1	-	-	-



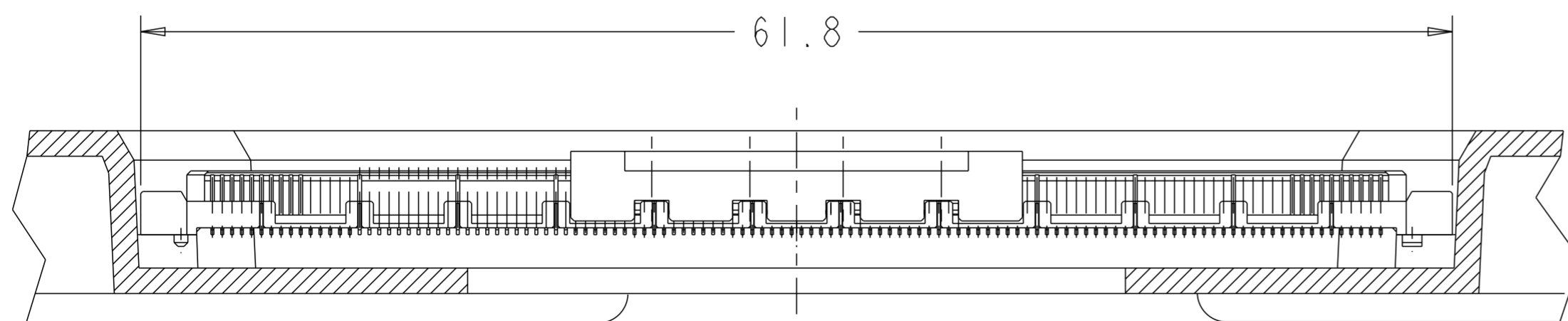
WITH PICK UP CAP
2357739-2 & -5



DETAIL E
(SCALE 4:1)



SECT. D-D
(SCALE 2:1)



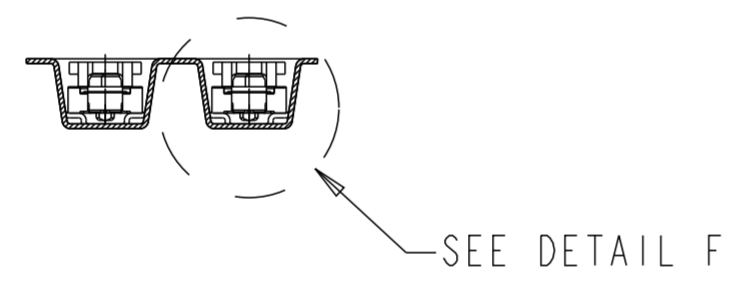
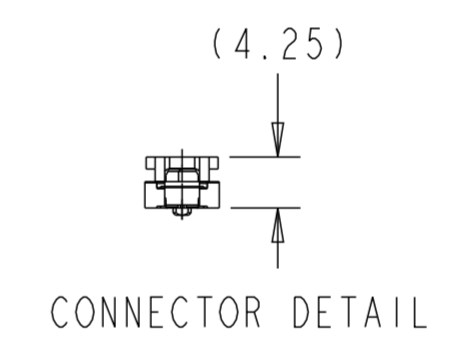
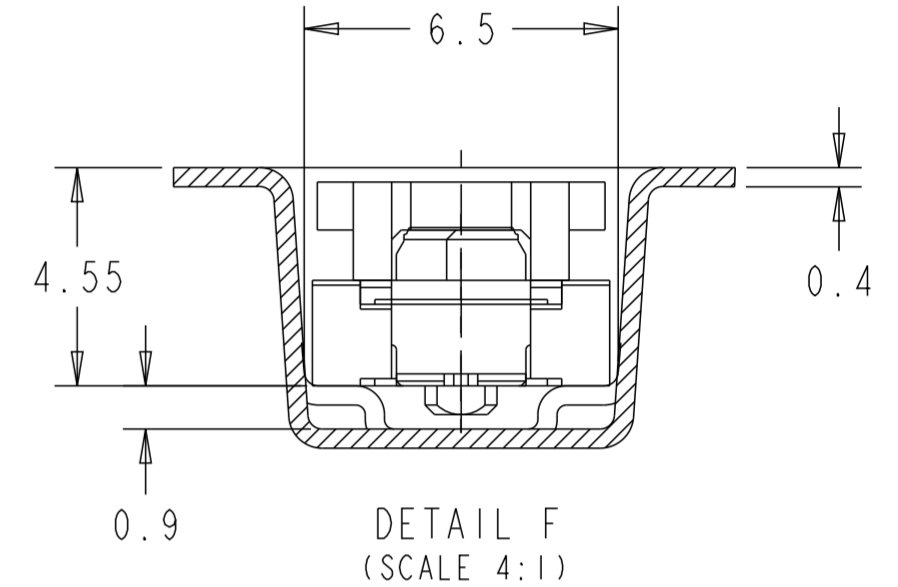
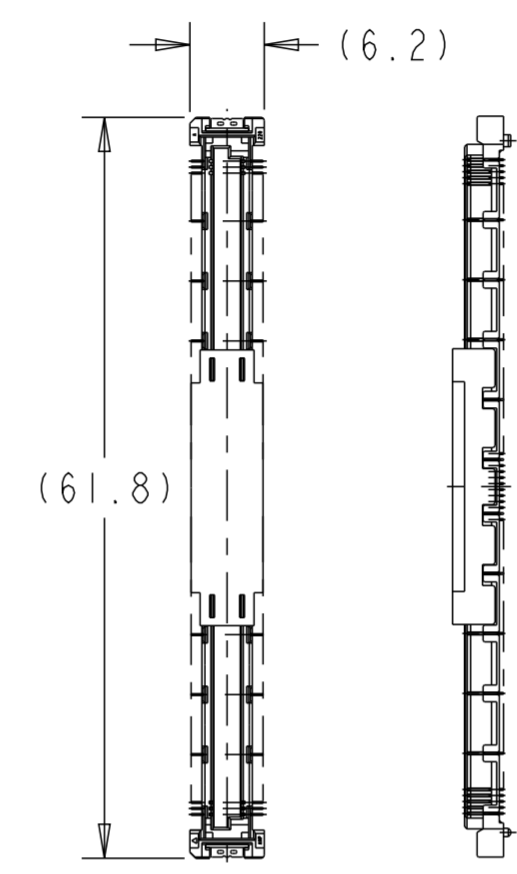
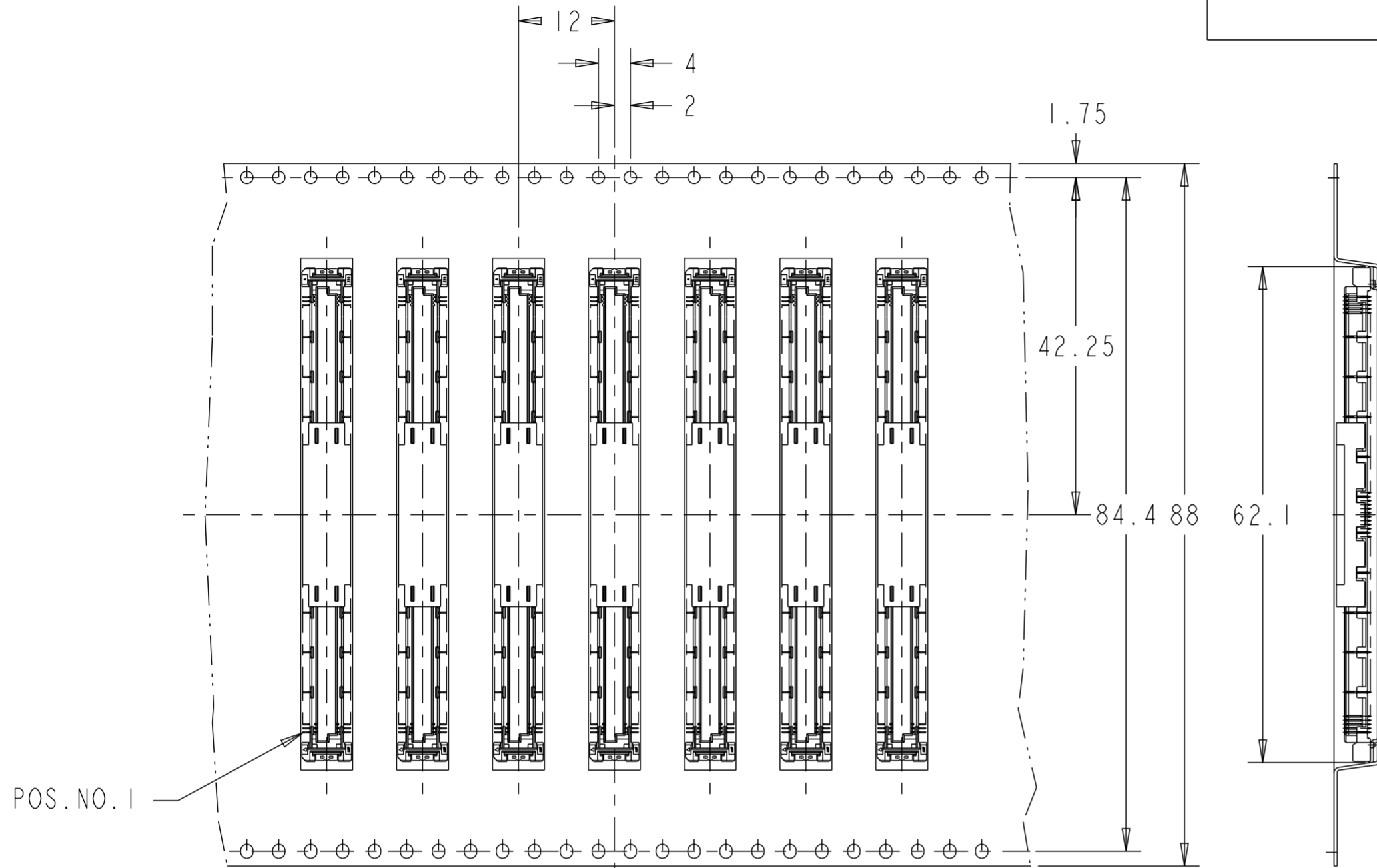
SECT. C-C
(SCALE 2:1)

THIS DRAWING IS A CONTROLLED DOCUMENT.		DWN ART LIN 11JUN2019	TE Connectivity		
DIMENSIONS: mm		CHK HOPE LU 10OCT2019			
TOLERANCES UNLESS OTHERWISE SPECIFIED:		APVD HOPE LU 10OCT2019	NAME 4H RECEPTACLE ASSY 220POS FH 0.5 BTB 16Gbps WITH G-CONTACT		
0 PLC ±1	1 PLC ±0.3	PRODUCT SPEC 108-32658	SIZE 114-115003	CAGE CODE A200779	DRAWING NO. C-2357739
2 PLC ±0.15	3 PLC ±0.05	APPLICATION SPEC	WEIGHT	RESTRICTED TO	
4 PLC ±0.0250	ANGLES ±3°	FINISH	CUSTOMER DRAWING	SCALE 1:1	SHEET 4 OF 5
SEE NOTE 1	SEE NOTE 2			REV A1	

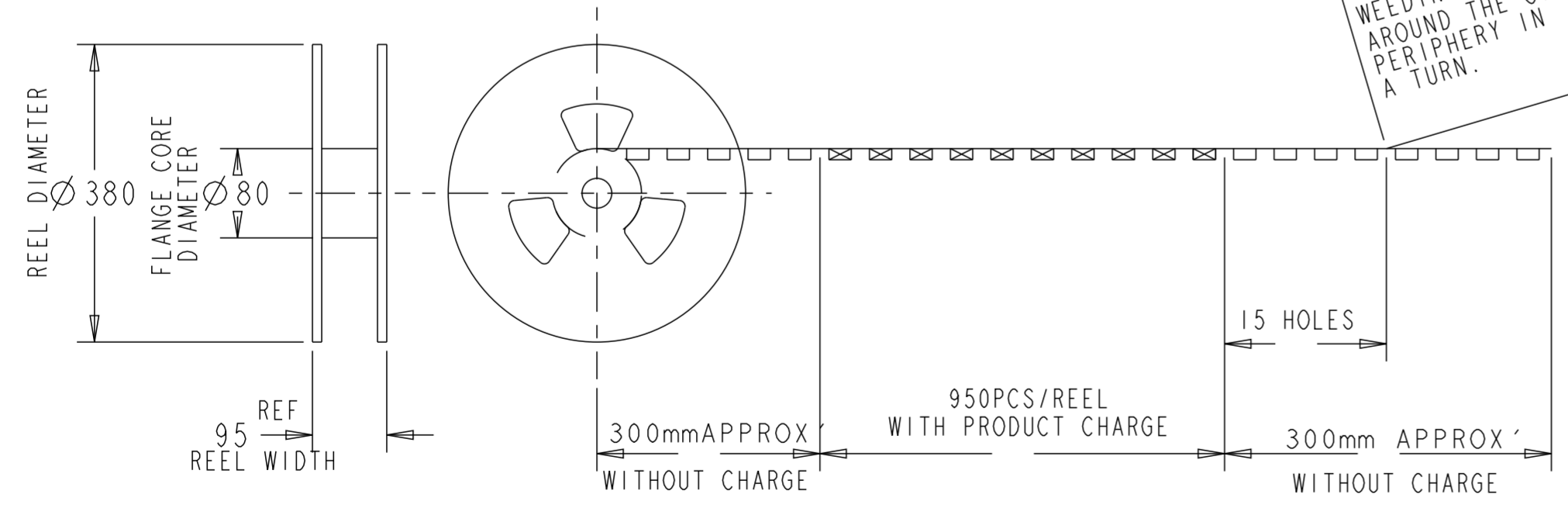
DIRECTION OFF TOP OF REEL →

REEL WITH PICK UP CAP
2357739-3

REVISIONS				
P	LTR	DESCRIPTION	DATE	APVD
-		SEE SHEET 1	-	-



WEEDING THE COVER TAPE
AROUND THE OUTER
PERIPHERY IN
A TURN.



THIS DRAWING IS A CONTROLLED DOCUMENT.		DWN ART LIN 11 JUN 2019	TE Connectivity	
DIMENSIONS: mm		CHK HOPE LU 10 OCT 2019		
TOLERANCES UNLESS OTHERWISE SPECIFIED:		APVD HOPE LU 10 OCT 2019	NAME 4H RECEPTACLE ASSY 220POS FH 0.5 BTB 16Gbps WITH G-CONTACT	
0 PLC ±1		PRODUCT SPEC 108-32658	SIZE A2	
1 PLC ±0.3		APPLICATION SPEC 114-115003	CAGE CODE 00779	DRAWING NO C-2357739
2 PLC ±0.15		WEIGHT -	RESTRICTED TO -	
3 PLC ±0.05		MATERIAL -	SCALE 1:1	
4 PLC ±0.0250		FINISH -	SHEET 5 OF 5	
ANGLES ±3°		SEE NOTE 1	REV A1	
FINISH		SEE NOTE 2	CUSTOMER DRAWING	

X-ON Electronics

Largest Supplier of Electrical and Electronic Components

Click to view similar products for [Board to Board & Mezzanine Connectors](#) category:

Click to view products by [TE Connectivity](#) manufacturer:

Other Similar products are found below :

[589158040000018](#) [FCN-230C068-11](#) [FCN-268F012-G/BD](#) [FCN-268F036-G/BD](#) [FCN-268M012-G/0D](#) [FCN-268M024-G/1D](#) [FCN-723J004/1](#) [MIS-048-01-F-D-DP-K](#) [832-10-034-10-001000](#) [FX4C-80S-1.27DSA](#) [FCN-214Q030-G/0](#) [FCN-234P048-G/0](#) [FCN-235D050-G/C](#) [210-93-314-41-105000](#) [2-22603-0](#) [MDF7-40DP-2.54DSA\(55\)](#) [AXG720047](#) [5031084030](#) [MIT-114-03-F-D-K](#) [55323-1519](#) [DF33-2P-3.3DSA\(24\)](#) [YFT-20-05-H-03-SB-K](#) [503308-3040](#) [026-6203-PDB](#) [027-6203-PDB](#) [069159702701000](#) [10123981-102LF](#) [101A10019X](#) [55650-0588-C](#) [68684-306](#) [75140-7012](#) [589159005003045](#) [194261-1](#) [FCN-268F024-G0D](#) [10124054-515LF](#) [68685-603](#) [8-1616154-3](#) [MIS-019-01-F-D](#) [589159005002045](#) [541371078](#) [IL-WX-10PB-HF-B-E1000E](#) [FCN-268M024-G/3D](#) [20021832-06016C1LF](#) [KX15-20KLDL-E1000E](#) [MDF7-16DP-2.54DSA\(55\)](#) [AXE810124](#) [FCN-214J100-G/0](#) [FCN-230C068-E/S](#) [AXE812124](#) [AXE816124](#)