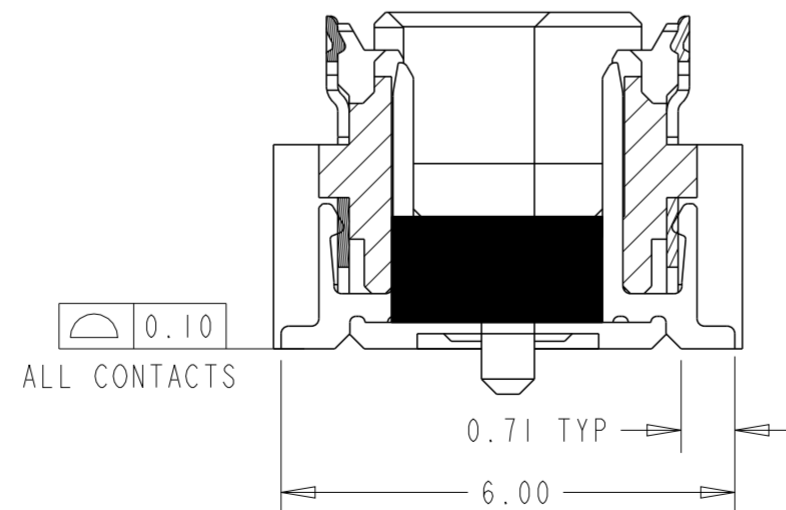
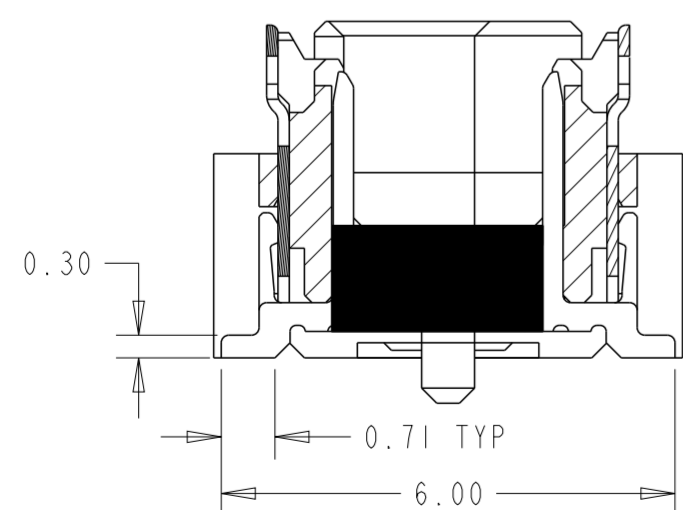
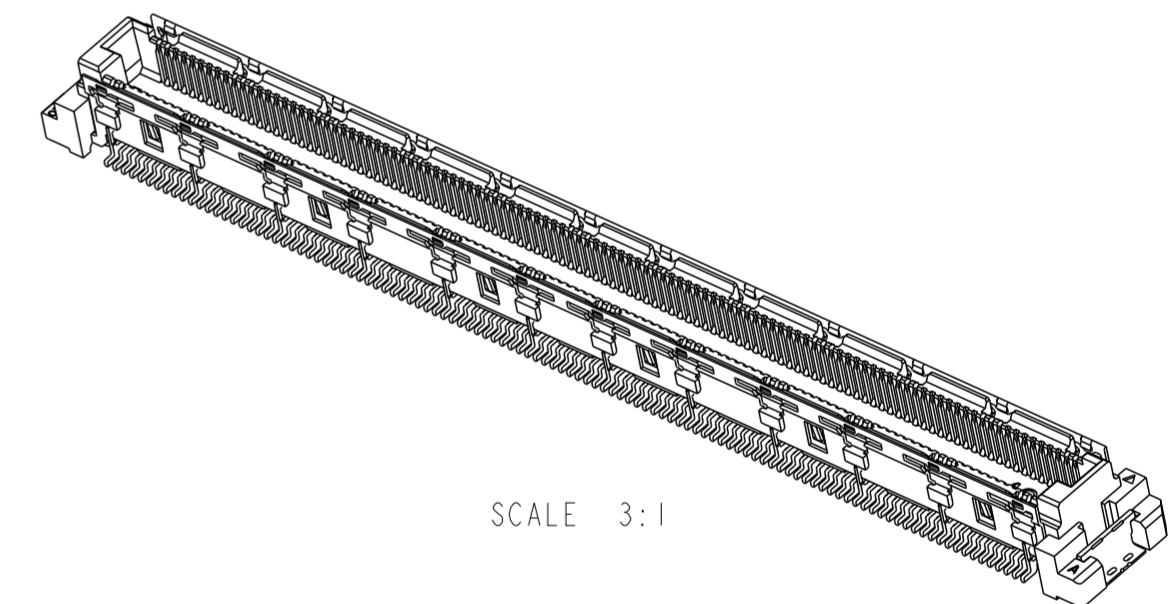
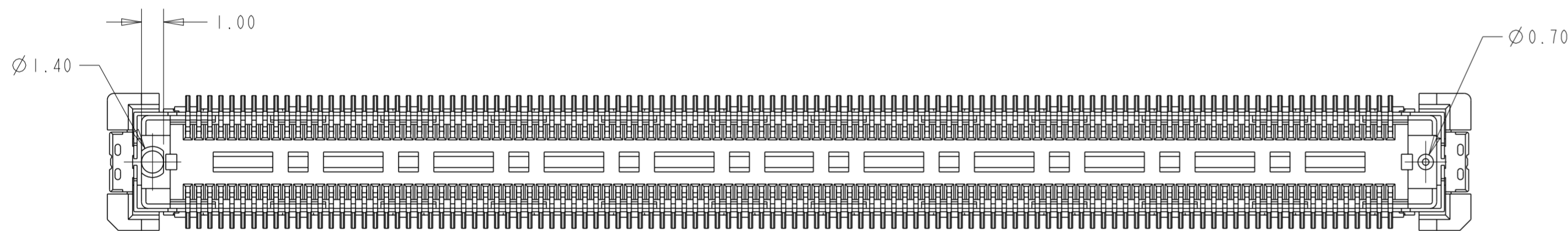
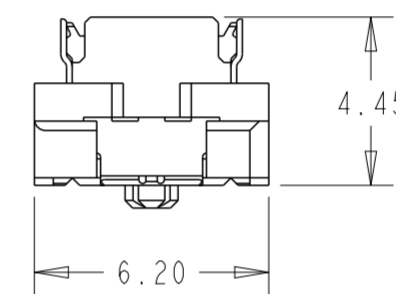
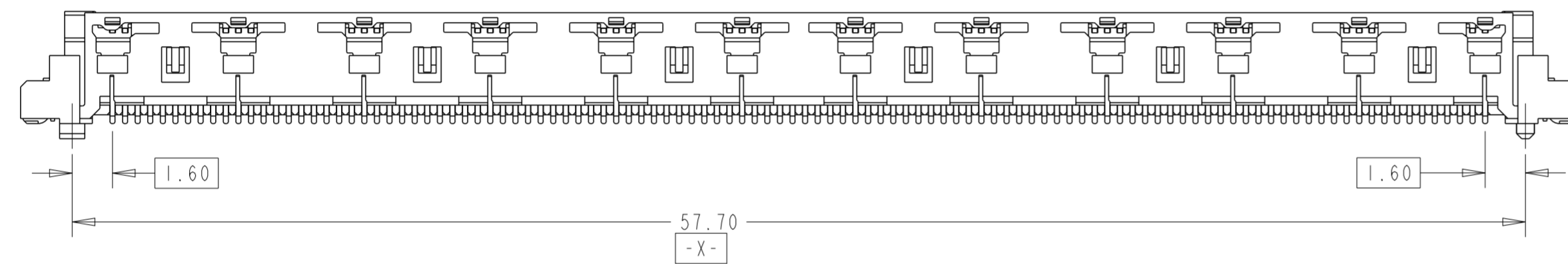
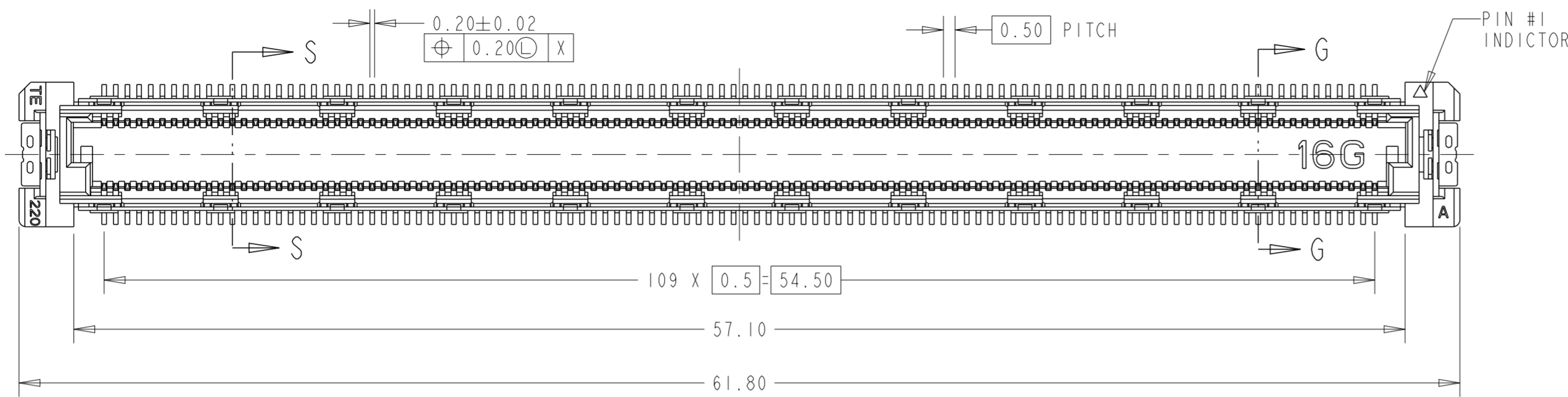


P	LTR	DESCRIPTION	DATE	DWN	APVD
2		SOLDER AREA GOLD FLASH	12OCT2019	AL	HL
3		ADD NEW PARTS	20JULY2020	A.L	H.L
A		FORMAL RELEASE	21AUG2020	A.L	H.L
AI		UPDATE TOL AND TP OF CONTACT	26OCT2020	A.L	H.L

NOTES:

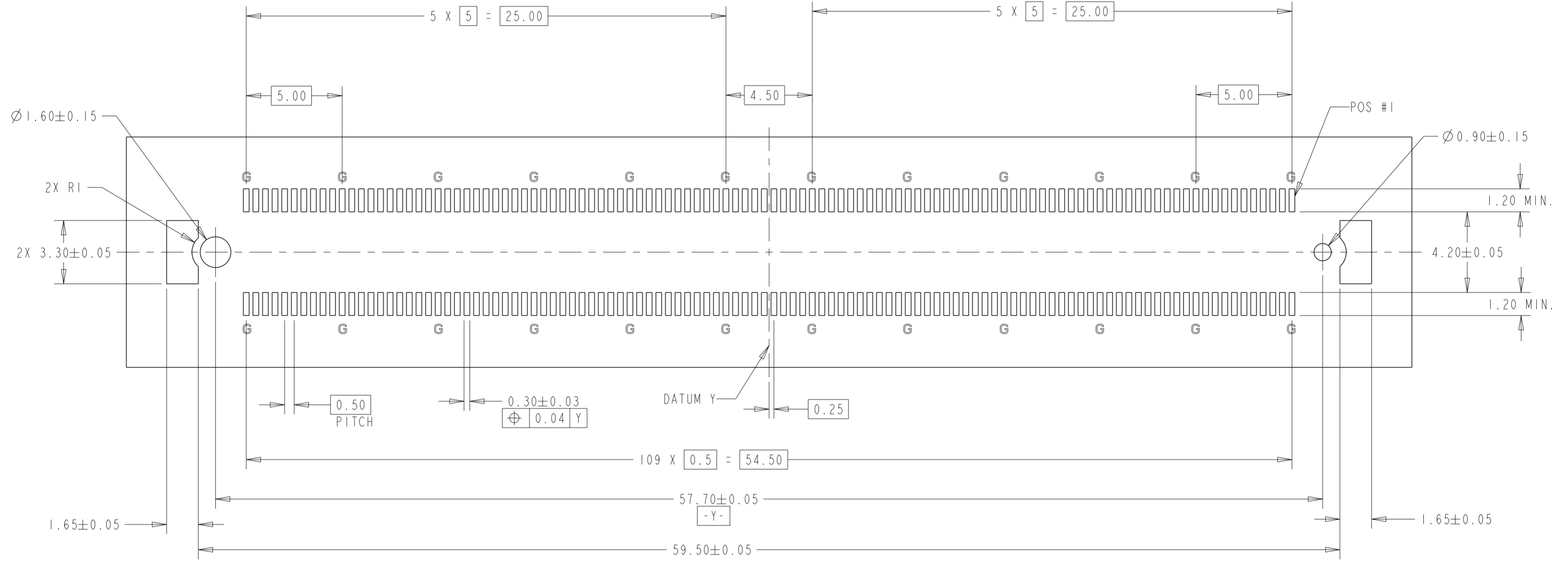
- MATERIAL
 HOUSING :HIGH TEMP THERMO PLASTIC UL94V-0
 CONTACT :COPPER ALLOY
 SOLDER PEG : COPPER ALLOY
 GROUND PLATE :COPPER ALLOY
- FINISH
 UNDERPLATED : 1.27um MIN.NICKEL ALL OVER
 CONTACT MATING AREA : MEETS THE PERFORMANCE REQUIREMENTS OF TE CONNECTIVITY PRODUCT SPECIFICATION 108-32658.
 SOLDER AREA : GOLD FLASH




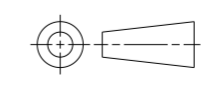
TAPE & REEL	WITHOUT	2357787-4
TAPE & REEL	WITH	2357787-3
HARD TRAY	WITHOUT	2357787-1
PACKAGE	CAP	P/N

THIS DRAWING IS A CONTROLLED DOCUMENT.		DWN	ART LIN	12JUN2019	TE Connectivity
DIMENSIONS: mm		CHK	HOPE LU	-	
TOLERANCES UNLESS OTHERWISE SPECIFIED:		APVD	HOPE LU	-	
0 PLC ±1 1 PLC ±0.3 2 PLC ±0.15 3 PLC ±0.050 4 PLC ±0.0250 ANGLES ±3° FINISH -		PRODUCT SPEC	108-32658	NAME	
MATERIAL	SEE NOTE 1	APPLICATION SPEC	114-115003	SIZE	A2
SEE NOTE 2		WEIGHT	-	CAGE CODE	00779
CUSTOMER DRAWING		SCALE	1:1	DRAWING NO	C-2357787
		SHEET	1	RESTRICTED TO	-
		OF	5	REV	AI

P	LTR	DESCRIPTION	DATE	DWN	APVD
-	-	SEE SHEET 1	-	-	-

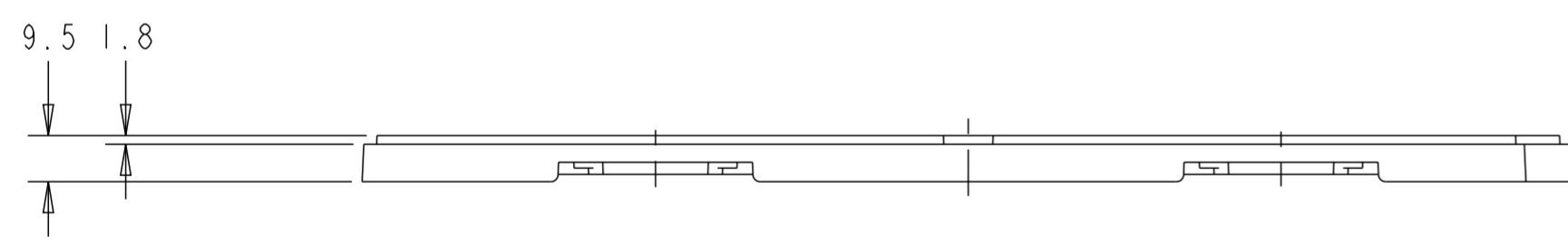
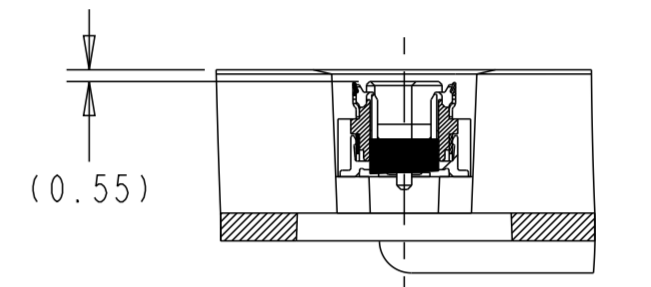
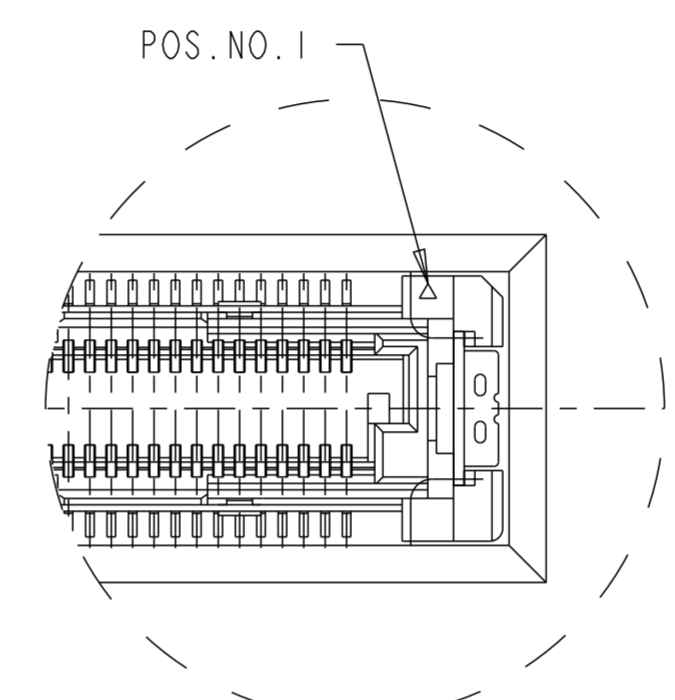
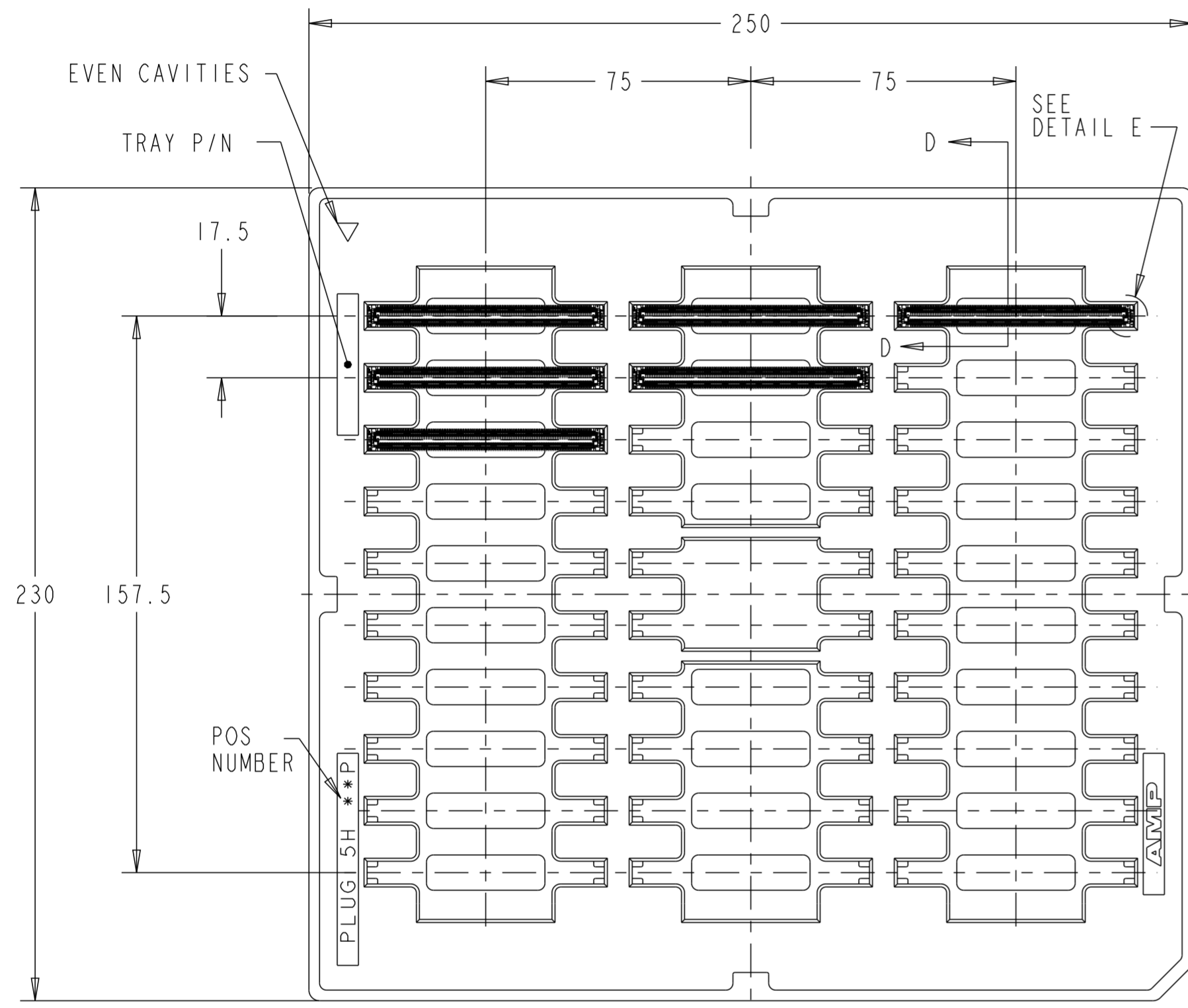


REFERENCE P.C. BOARD LAYOUT
G:Ground

THIS DRAWING IS A CONTROLLED DOCUMENT.		DWN ART LIN 12JUN2019	 TE Connectivity		
DIMENSIONS: mm		CHK HOPE LU			
		APVD HOPE LU	NAME 5H PLUG ASSY 220POS FH 0.5 BTB 16Gbps WITH G-PLATE		
TOLERANCES UNLESS OTHERWISE SPECIFIED: 0 PLC ±1 1 PLC ±0.3 2 PLC ±0.15 3 PLC ±0.050 4 PLC ±0.0250 ANGLES ±3°		PRODUCT SPEC 108-32658	SIZE A2	CAGE CODE 00779	DRAWING NO C-2357787
MATERIAL - SEE NOTE 1	FINISH - SEE NOTE 2	APPLICATION SPEC 114-115003	WEIGHT -	RESTRICTED TO -	SCALE 1:1
CUSTOMER DRAWING			SHEET 2 OF 5	REV A1	

WITHOUT PICK UP CAP
2357787-1

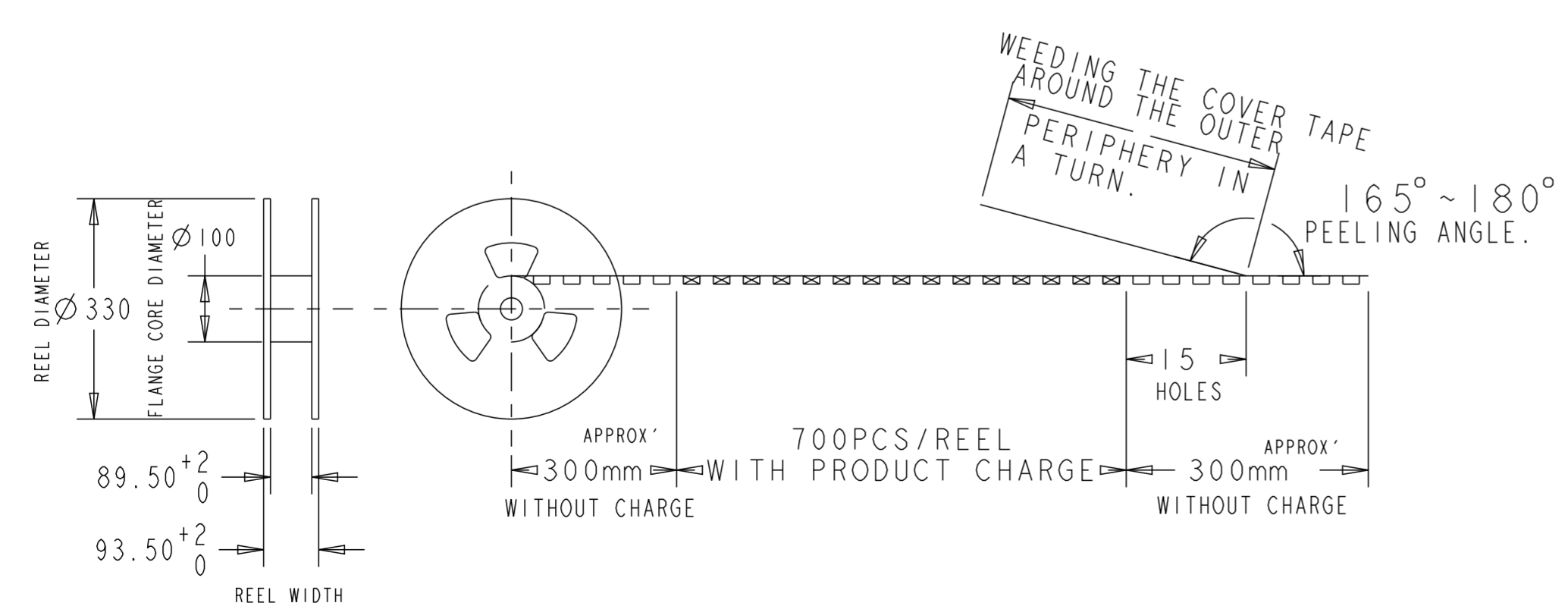
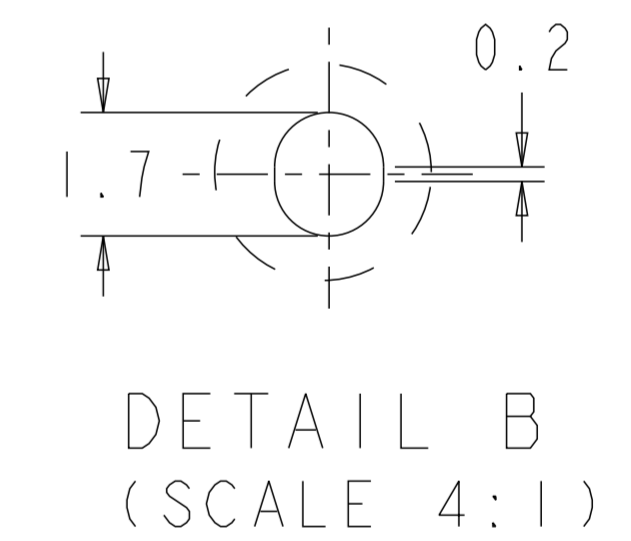
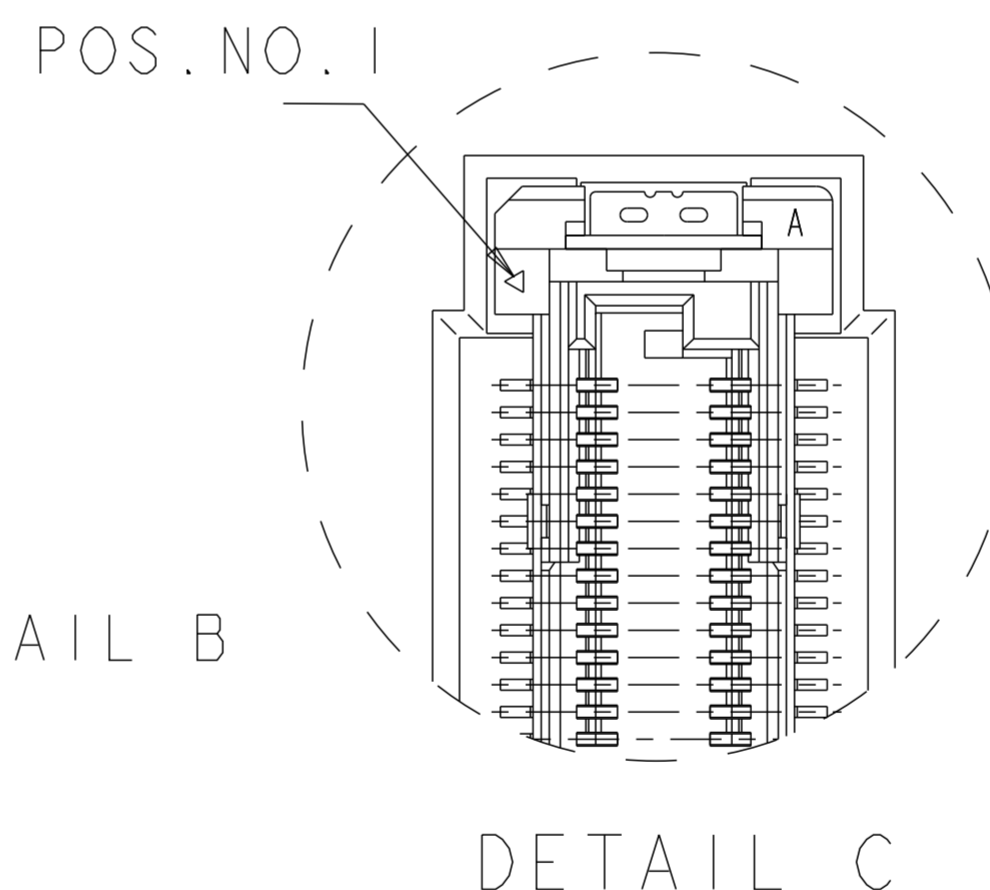
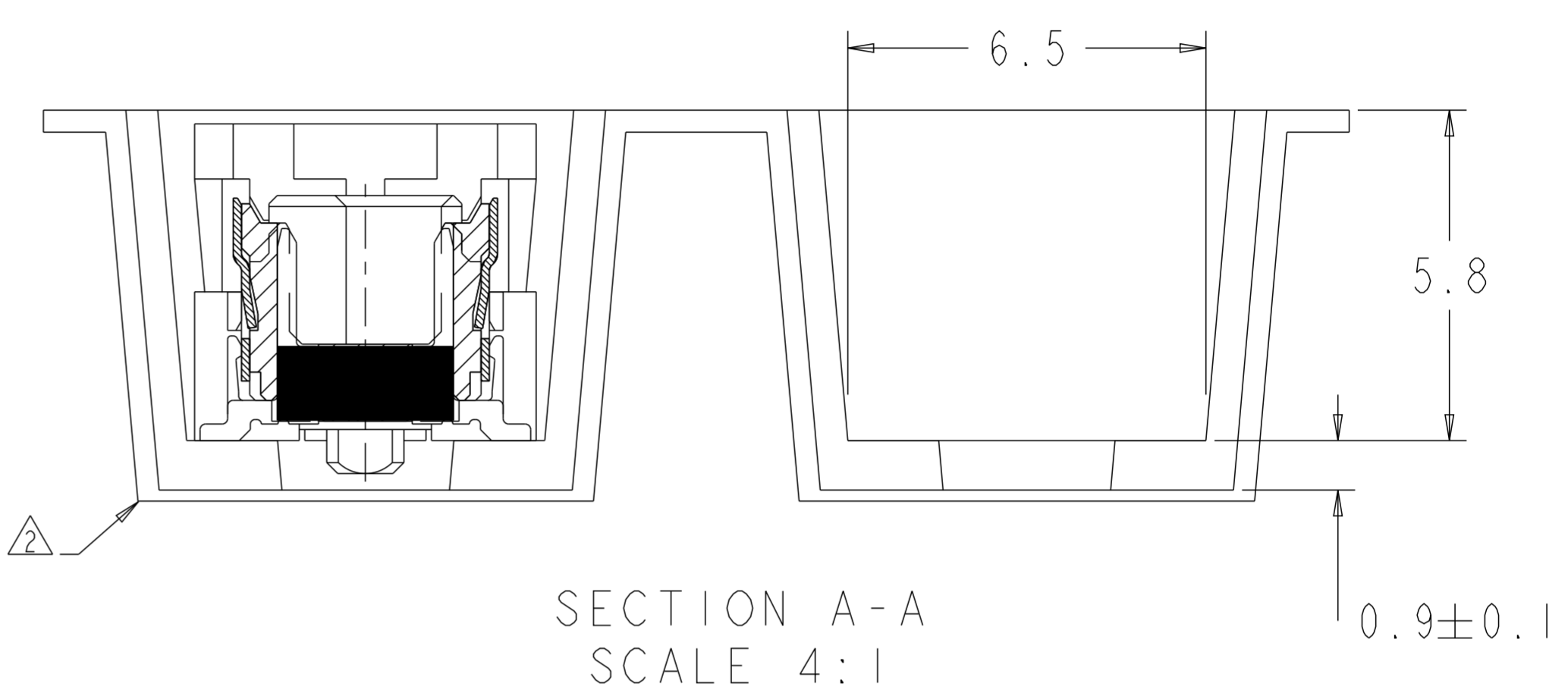
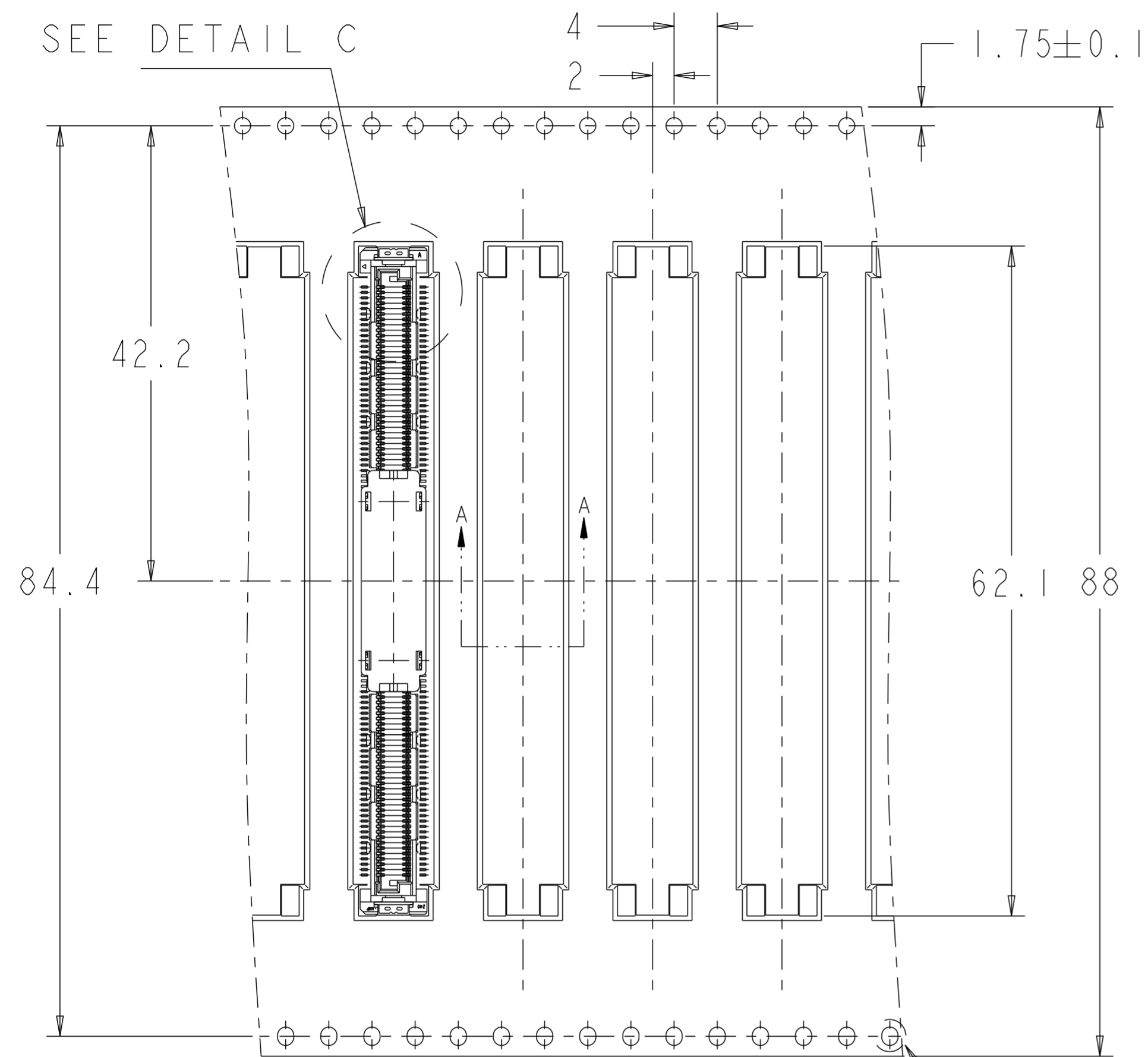
REVISIONS				
P	LTR	DESCRIPTION	DATE	APVD
-		SEE SHEET 1	-	-



THIS DRAWING IS A CONTROLLED DOCUMENT.		DWN ART LIN 12 JUN 2019	TE Connectivity	
DIMENSIONS: mm		CHK HOPE LU		
TOLERANCES UNLESS OTHERWISE SPECIFIED:		APVD HOPE LU	NAME 5H PLUG ASSY 220POS FH 0.5 BTB 16Gbps WITH G-PLATE	
0 PLC ±1 1 PLC ±0.3 2 PLC ±0.15 3 PLC ±0.050 4 PLC ±0.0250 ANGLES ±3°		PRODUCT SPEC 108-32658	SIZE A2	CAGE CODE 00779
MATERIAL SEE NOTE 1		APPLICATION SPEC 114-115003	DRAWING NO C-2357787	RESTRICTED TO -
FINISH -		WEIGHT -	SCALE 1:1	SHEET 3 OF 5
		CUSTOMER DRAWING	REV A1	

P	LTR	DESCRIPTION	DATE	DWN	APVD
-	-	SEE SHEET 1	-	-	-

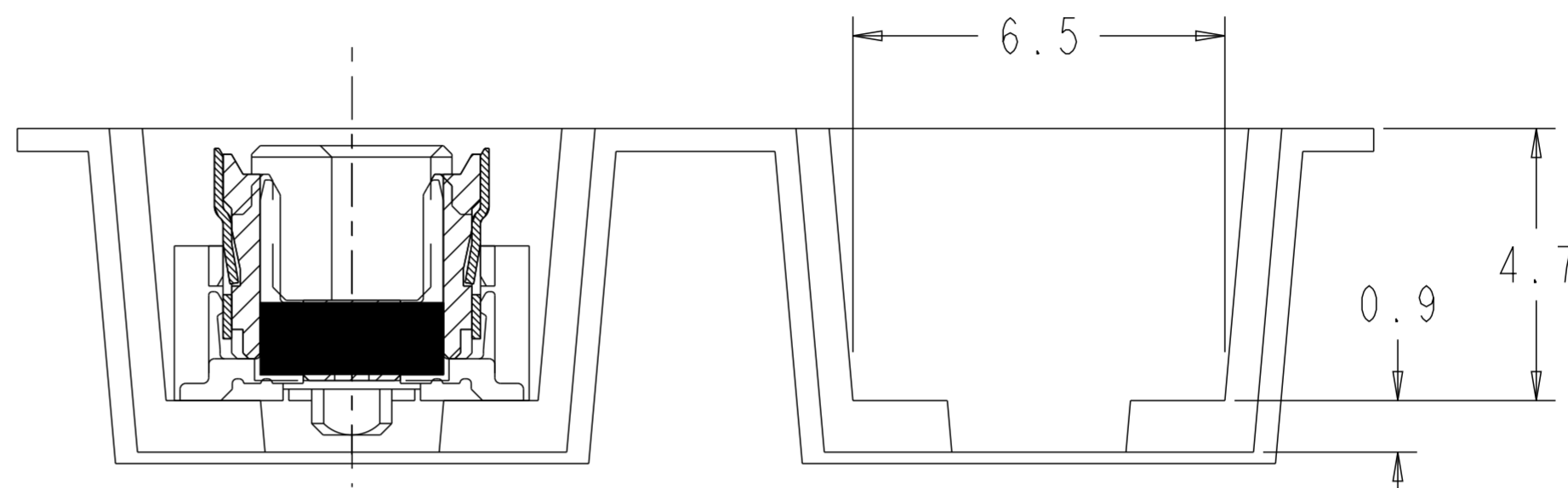
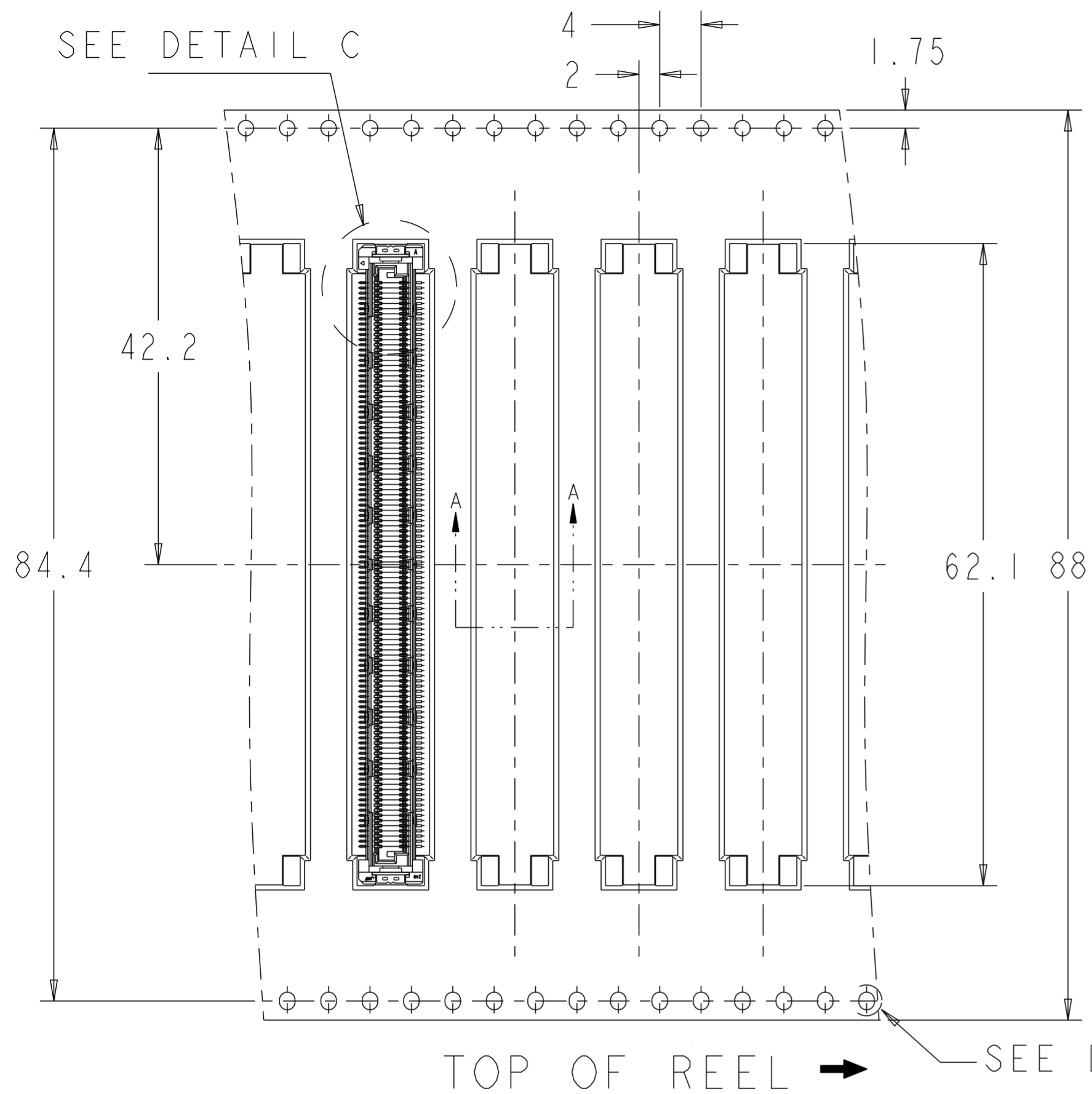
REEL WITH PICK UP CAP
2357787-3



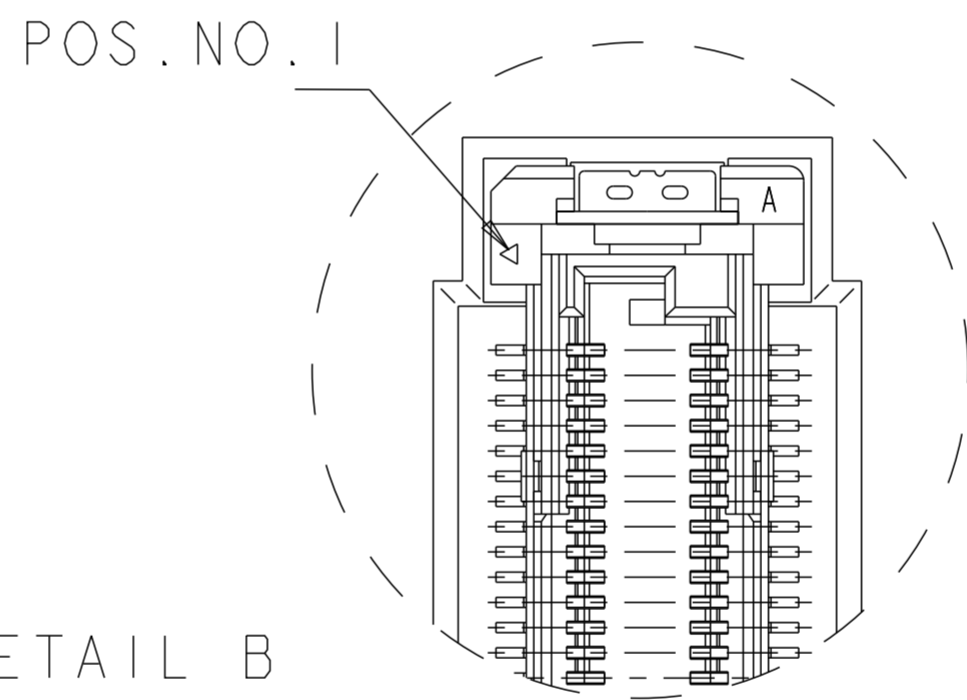
THIS DRAWING IS A CONTROLLED DOCUMENT.		DWN	ART LIN	12JUN2019	TE Connectivity
DIMENSIONS: mm		CHK	HOPE LU	-	
TOLERANCES UNLESS OTHERWISE SPECIFIED:		APVD	HOPE LU	-	NAME
0 PLC	±1	PRODUCT SPEC	108-32658	-	5H PLUG ASSY 220POS FH 0.5 BTB 16Gbps WITH G-PLATE
1 PLC	±0.3	APPLICATION SPEC	114-115003	-	SIZE
2 PLC	±0.15	WEIGHT	-	-	A2
3 PLC	±0.050	CUSTOMER DRAWING	-	-	CAGE CODE
4 PLC	±0.0250	SCALE	1:1	-	00779
ANGLES	±3°	SHEET	4	OF	5
FINISH	-	REV	A1	-	-

P	LTR	DESCRIPTION	DATE	DWN	APVD
-	-	SEE SHEET 1	-	-	-

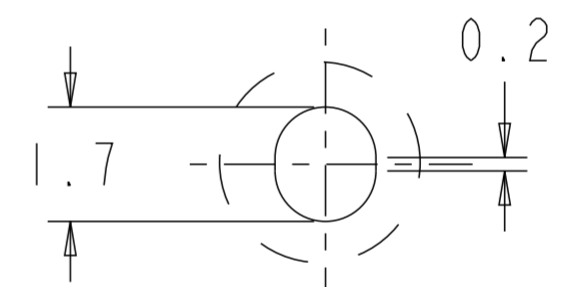
REEL WITHOUT PICK UP CAP
2357787-4



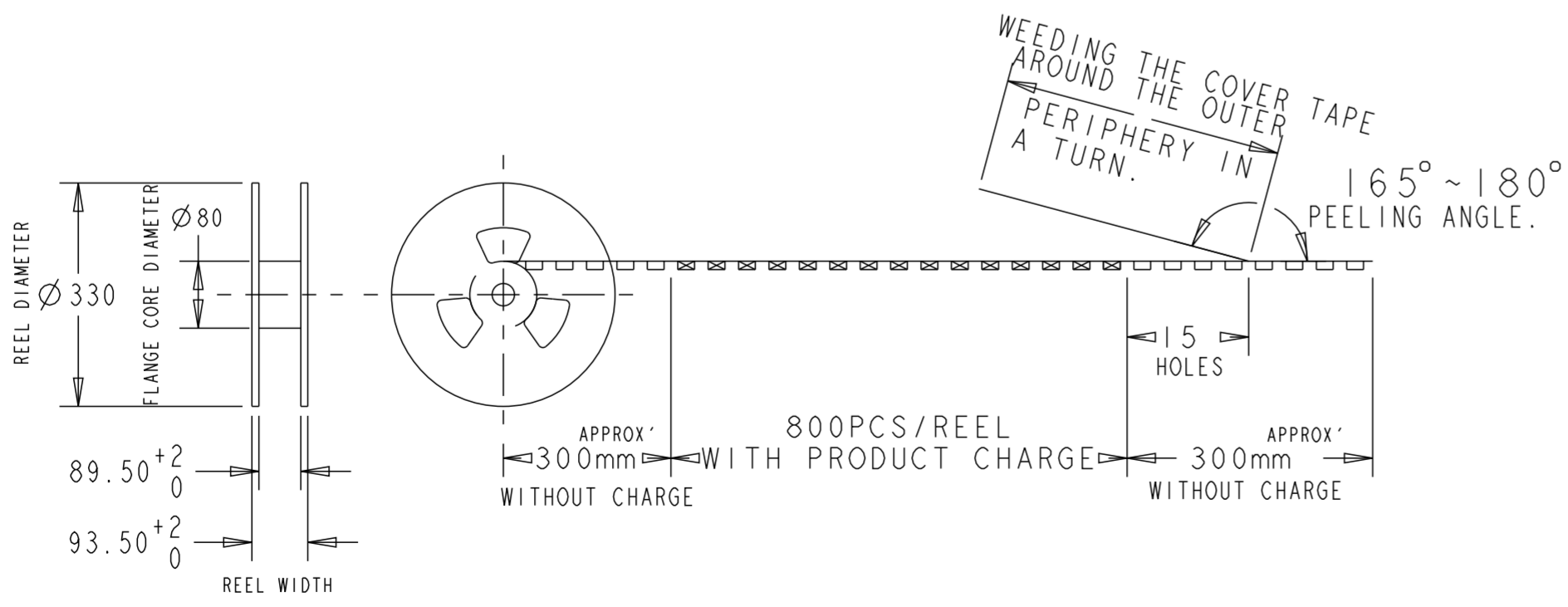
SECTION A-A
SCALE 4:1



DETAIL C



DETAIL B
(SCALE 4:1)



THIS DRAWING IS A CONTROLLED DOCUMENT.		DWN ART LIN 12JUN2019	TE Connectivity	
DIMENSIONS: mm		CHK HOPE LU		
TOLERANCES UNLESS OTHERWISE SPECIFIED:		APVD HOPE LU	NAME 5H PLUG ASSY 220POS FH 0.5 BTB 16Gbps WITH G-PLATE	
0 PLC ±1	1 PLC ±0.3	PRODUCT SPEC 108-32658	SIZE A2	CAGE CODE 00779
2 PLC ±0.15	3 PLC ±0.050	APPLICATION SPEC 114-115003	DRAWING NO C-2357787	RESTRICTED TO -
4 PLC ±0.0250	ANGLES ±3°	WEIGHT -	SCALE 1:1 SHEET 5 OF 5 REV A1	
MATERIAL SEE NOTE 1	FINISH SEE NOTE 2	CUSTOMER DRAWING		

X-ON Electronics

Largest Supplier of Electrical and Electronic Components

Click to view similar products for [Board to Board & Mezzanine Connectors](#) category:

Click to view products by [TE Connectivity](#) manufacturer:

Other Similar products are found below :

[589158040000018](#) [MDF7C-18P-2.54DSA\(55\)](#) [FCN-230C068-11](#) [FCN-268F012-G/BD](#) [FCN-268F036-G/BD](#) [FCN-268M012-G/0D](#) [FCN-268M024-G/1D](#) [FCN-723J004/1](#) [MIS-048-01-F-D-DP-K](#) [832-10-034-10-001000](#) [FX4C-80S-1.27DSA](#) [FCN-214Q030-G/0](#) [FCN-234P048-G/0](#) [FCN-235D050-G/C](#) [210-93-314-41-105000](#) [2-22603-0](#) [MDF7-40DP-2.54DSA\(55\)](#) [AXG720047](#) [5031084030](#) [MIT-114-03-F-D-K](#) [55323-1519](#) [DF33-2P-3.3DSA\(24\)](#) [YFT-20-05-H-03-SB-K](#) [503308-3040](#) [026-6203-PDB](#) [027-6203-PDB](#) [069159702701000](#) [10123981-102LF](#) [101A10019X](#) [55650-0588-C](#) [68682-310LF](#) [68684-306](#) [75140-7012](#) [87471-650](#) [YTW-30-07-H-Q-410-140](#) [194261-1](#) [FCN-268F024-G0D](#) [10124054-515LF](#) [68685-603](#) [8-1616154-3](#) [MIS-019-01-F-D](#) [FCN-268M024-G/3D](#) [20021832-06016C1LF](#) [KX15-20KLDL-E1000E](#) [MDF7-16DP-2.54DSA\(55\)](#) [AXE810124](#) [FCN-214J100-G/0](#) [FCN-230C068-E/S](#) [AXE812124](#) [AXE816124](#)