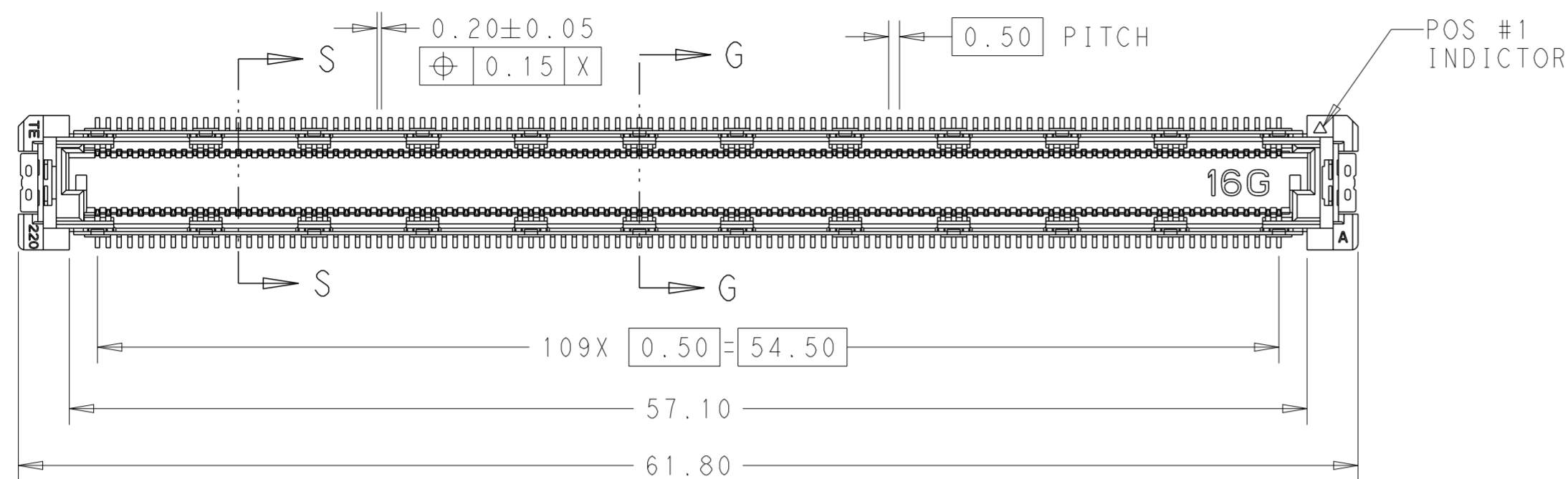
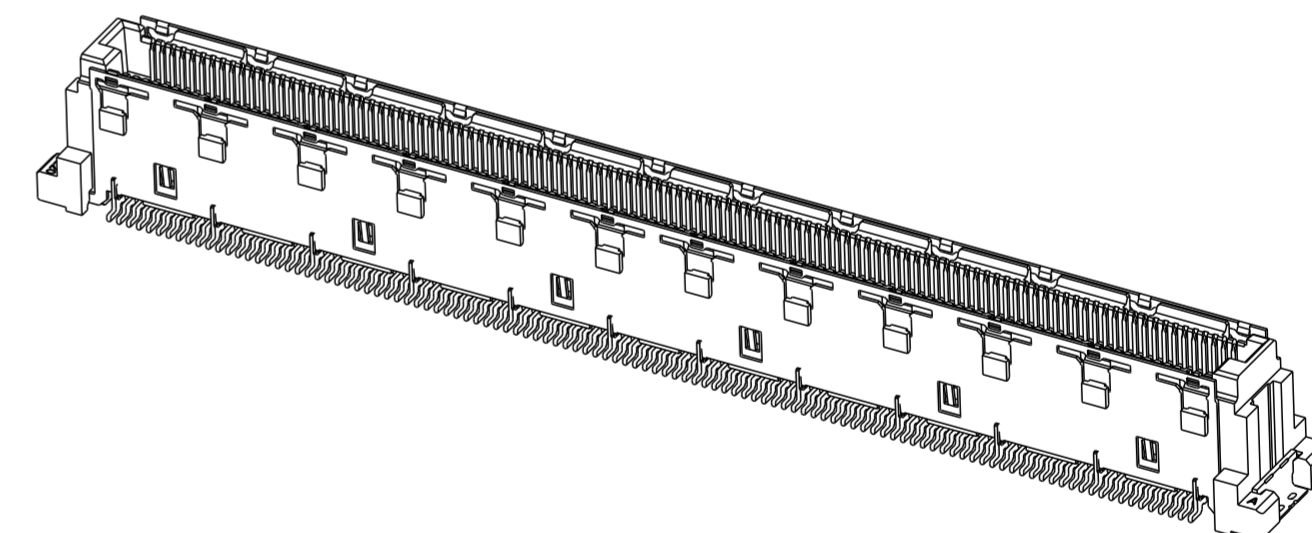
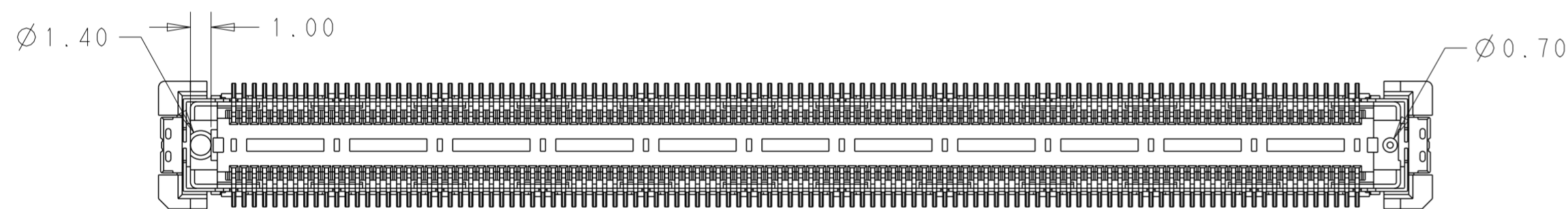
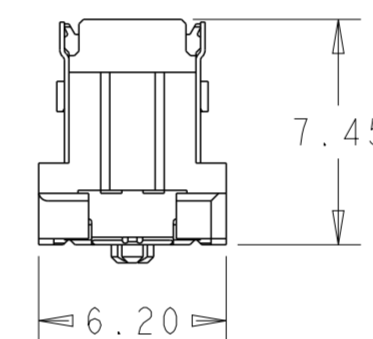
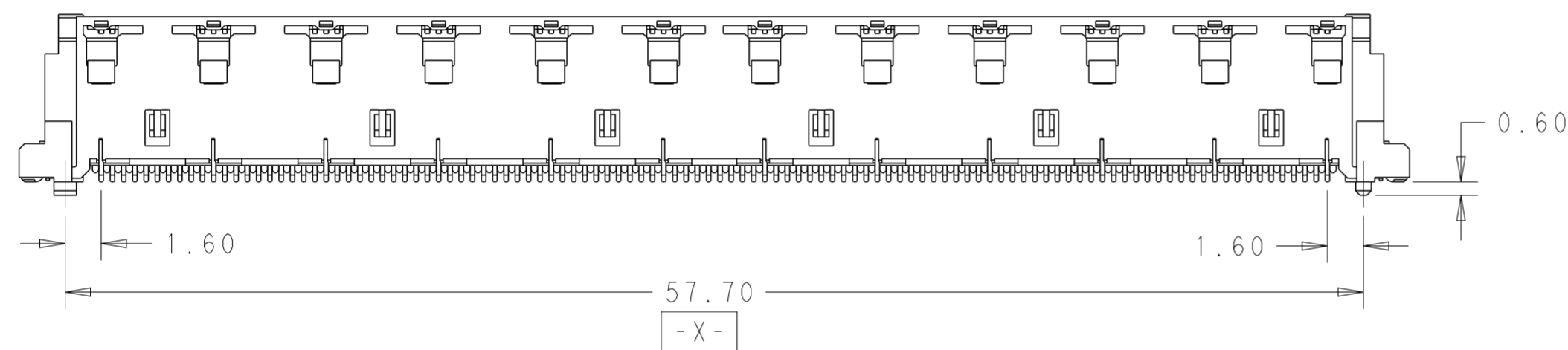


P	LTR	DESCRIPTION	DATE	DWN	APVD
1		INITIAL RELEASE	25JUN2019	AL	HL
2		SOLDER AREA MATTE TIN	12OCT2019	AL	HL
3		CORRECT NOTE DESCRIPTION	01APR2020	A.L	H.L
A		FORMAL RELEASE	13OCT2020	A.L	H.L

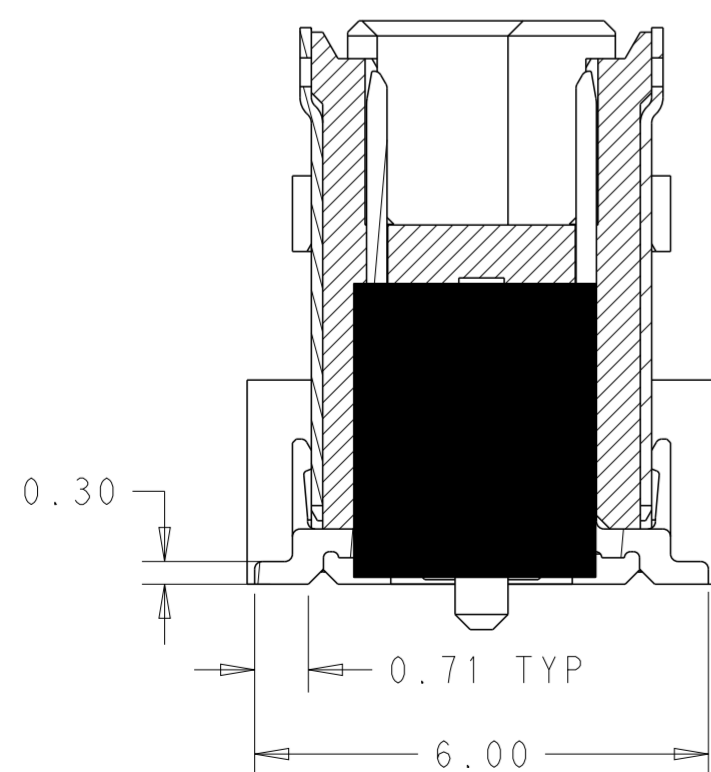


NOTES:

- MATERIAL
 HOUSING : HIGH TEMP THERMO PLASTIC UL94V-0
 CONTACT : COPPER ALLOY
 SOLDER PEG : COPPER ALLOY
 GROUND PLATE : COPPER ALLOY
- FINISH
 UNDERPLATED : 1.27um MIN. NICKEL ALL OVER
 CONTACT MATING AREA : MEETS THE PERFORMANCE REQUIREMENTS OF TE CONNECTIVITY PRODUCT SPECIFICATION 108-32658.
 SOLDER AREA : MATTE TIN



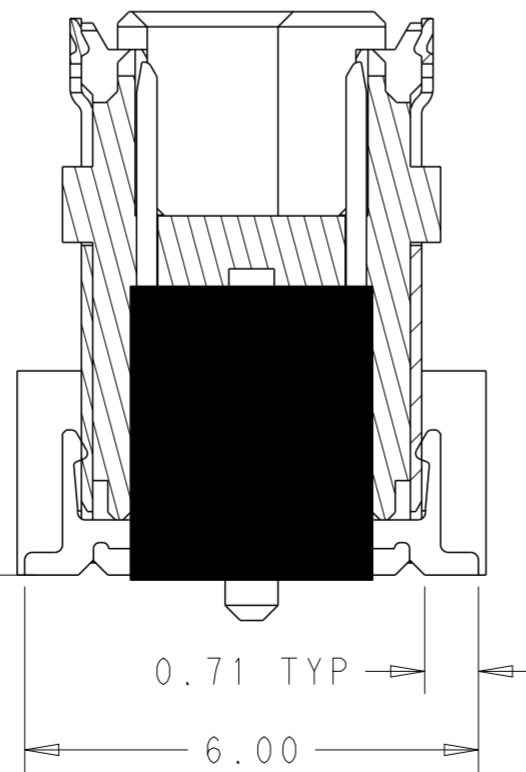
SCALE 3:1



SECTION S-S
 SCALE 10:1
 (SIGNAL CONTACTS)



ALL CONTACTS

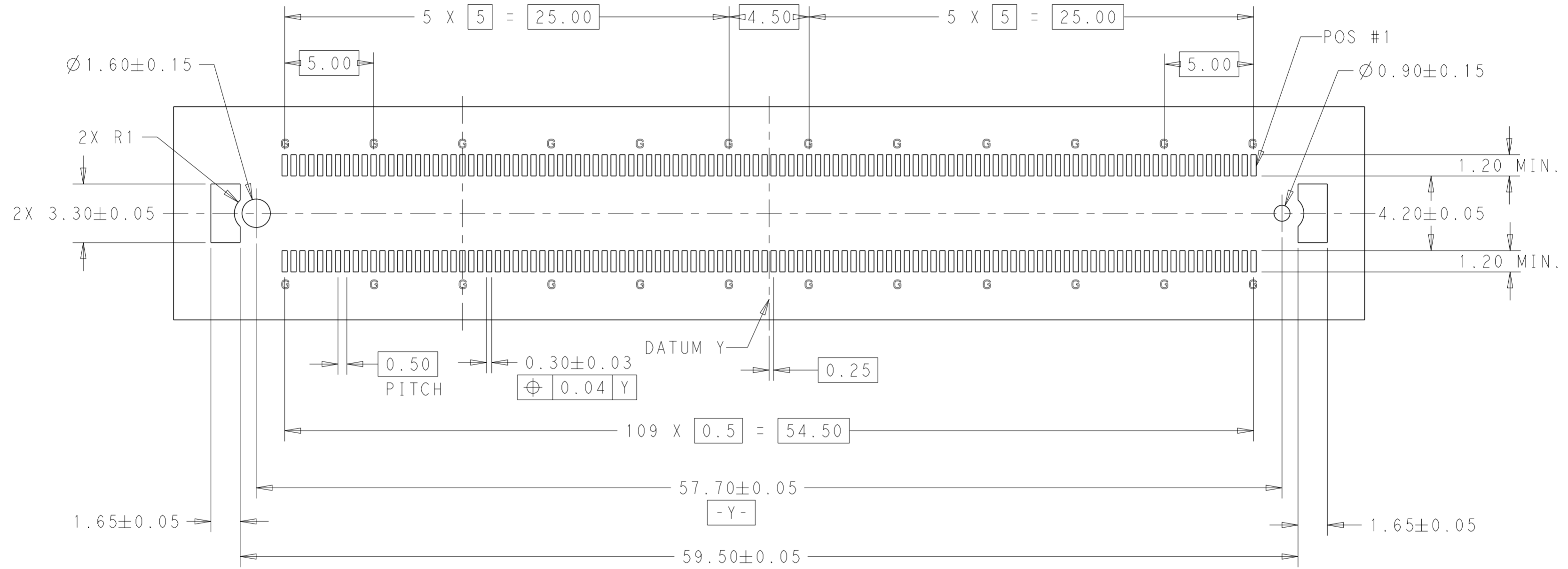


SECTION G-G
 SCALE 10:1
 (GROUND CONTACTS)


TAPE & REEL	WITHOUT	2357798-4
TAPE & REEL	WITH	2357798-3
HARD TRAY	WITH	2357798-2
HARD TRAY	WITHOUT	2357798-1
PACKAGE	CAP	P/N

THIS DRAWING IS A CONTROLLED DOCUMENT.		DWN	ART LIN	24JUN2019	TE Connectivity
		CHK	HOPE LU	10OCT2019	
		APVD	HOPE LU	10OCT2019	
		PRODUCT SPEC	HOPE LU	108-32658	
DIMENSIONS:		TOLERANCES UNLESS OTHERWISE SPECIFIED:		NAME	
mm		0 PLC ±1		8H PLUG ASSY 220POS	
		1 PLC ±0.3		FH 0.5MM BTB 16Gbps	
		2 PLC ±0.15		WITH G-PLATE	
		3 PLC ±0.050		SIZE	
		4 PLC ±0.0250		CAGE CODE	
		ANGLES ±3°		DRAWING NO	
MATERIAL		FINISH		RESTRICTED TO	
SEE NOTE 1		SEE NOTE 2		A200779	
CUSTOMER DRAWING		WEIGHT		G-2357798	
		SCALE		SHEET	
		2:1		1 OF 6	
				REV A	

P	LTR	DESCRIPTION	DATE	DWN	APVD
-		SEE SHEET 1	-	-	-

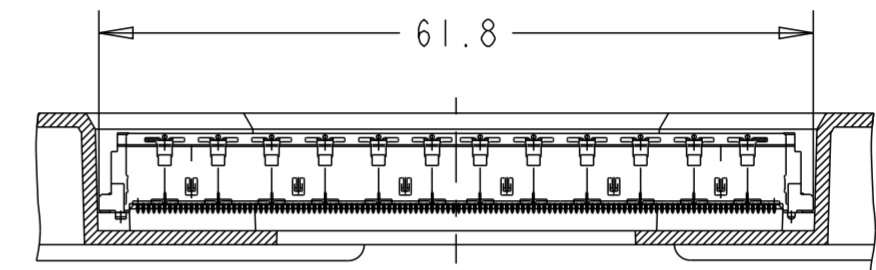
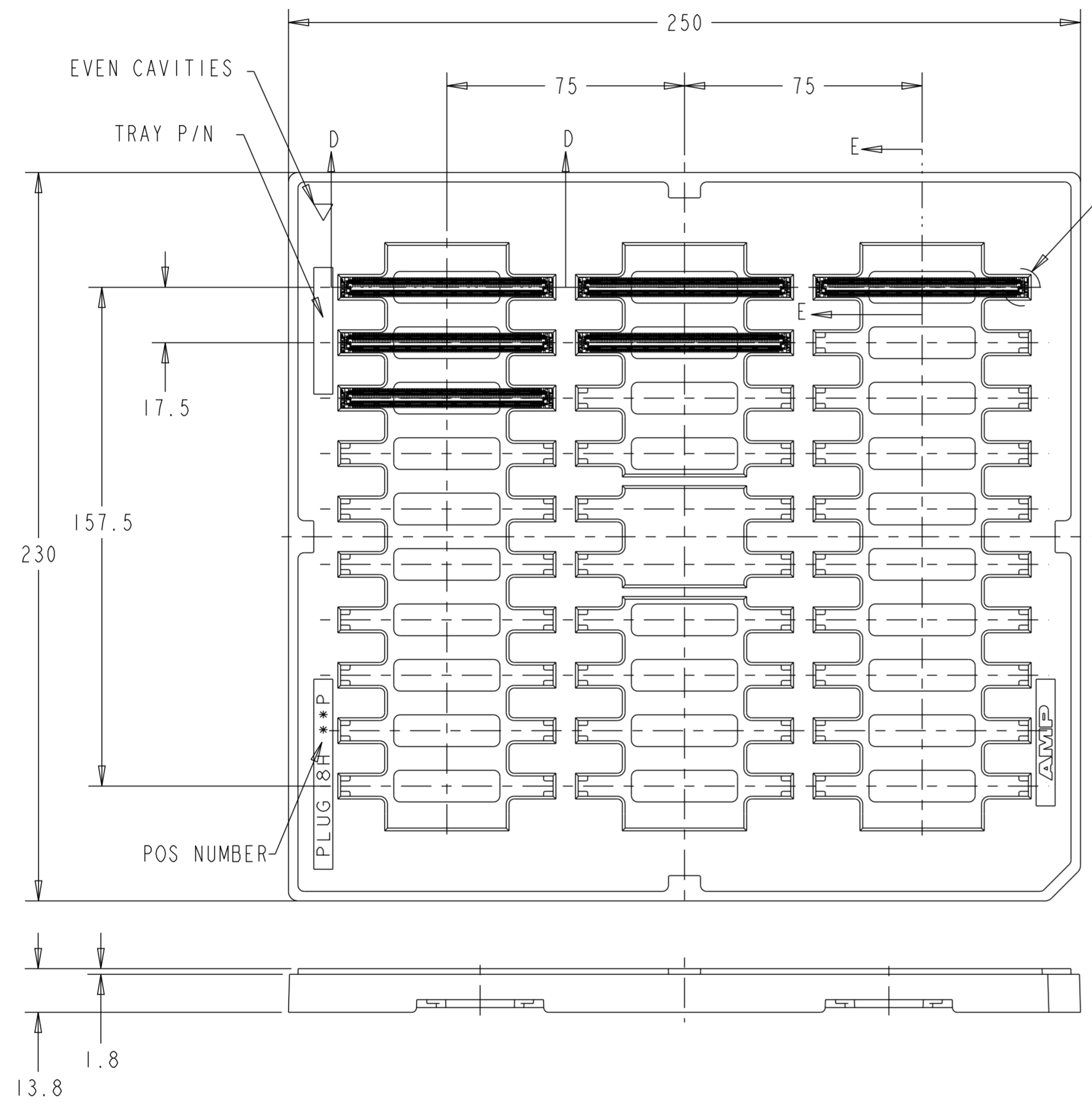


REFERENCE P.C. BOARD LAYOUT
G: GROUND

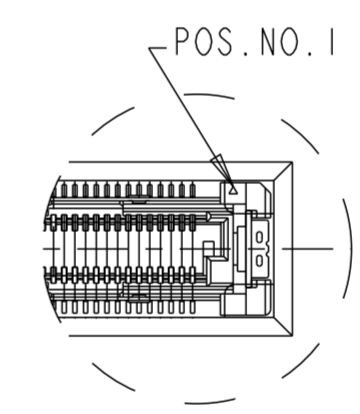
THIS DRAWING IS A CONTROLLED DOCUMENT.		DWN ART LIN 24JUN2019	 TE Connectivity	
DIMENSIONS: mm		CHK HOPE LU 10OCT2019		
TOLERANCES UNLESS OTHERWISE SPECIFIED:		APVD HOPE LU 10OCT2019	NAME 8H PLUG ASSY 220POS FH 0.5MM BTB 16Gbps WITH G-PLATE	
0 PLC ±1 1 PLC ±0.3 2 PLC ±0.15 3 PLC ±0.050 4 PLC ±0.0250 ANGLES ±3°		PRODUCT SPEC 108-32658	SIZE A200779	
MATERIAL - SEE NOTE 1		APPLICATION SPEC 114-115003	DRAWING NO C-2357798	
FINISH - SEE NOTE 2		WEIGHT -	RESTRICTED TO -	
CUSTOMER DRAWING		SCALE 2:1	SHEET 2 OF 6 REV A	

WITHOUT PICK UP CAP
2357798-1

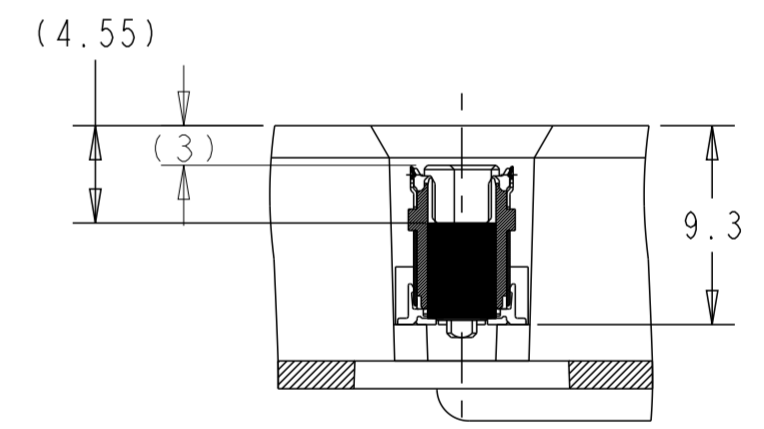
REVISIONS				
P	LTR	DESCRIPTION	DATE	APVD
-		SEE SHEET 1	-	-



SECT. D-D
(SCALE 2:1)
(CONNECTOR NOT SECTION)



DETAIL C
(SCALE 2:1)

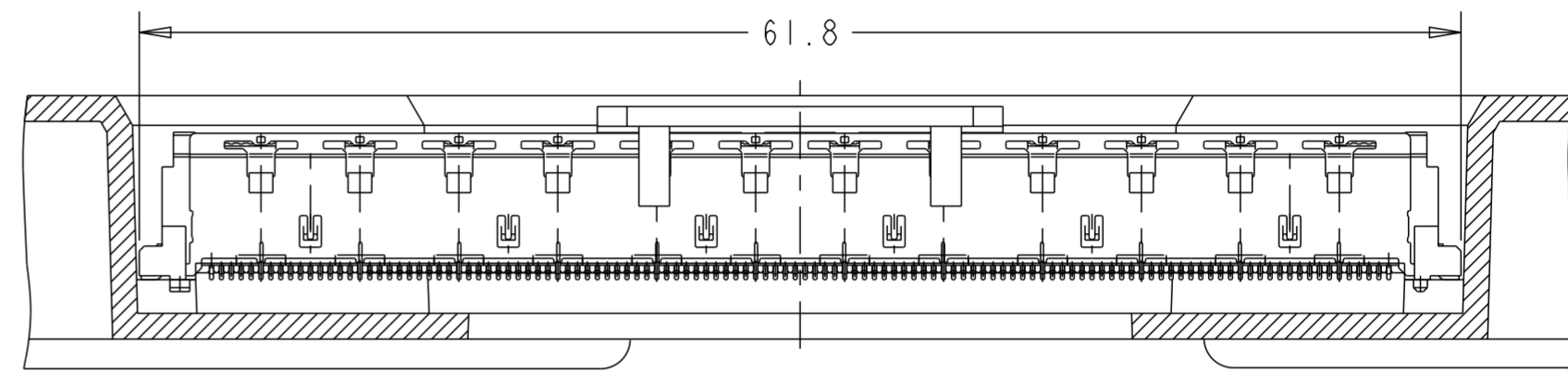
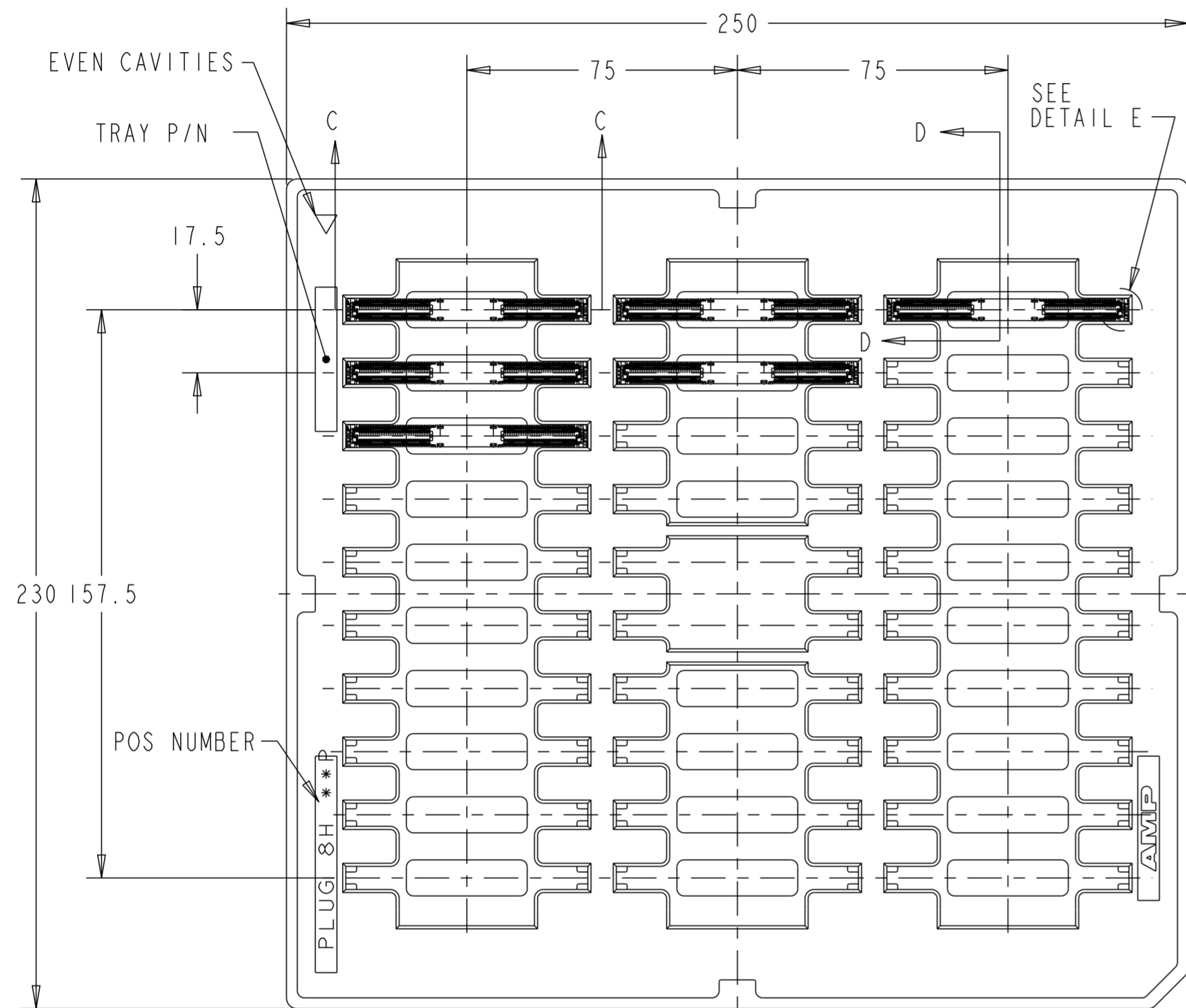


SECT. E-E
(SCALE 2:1)

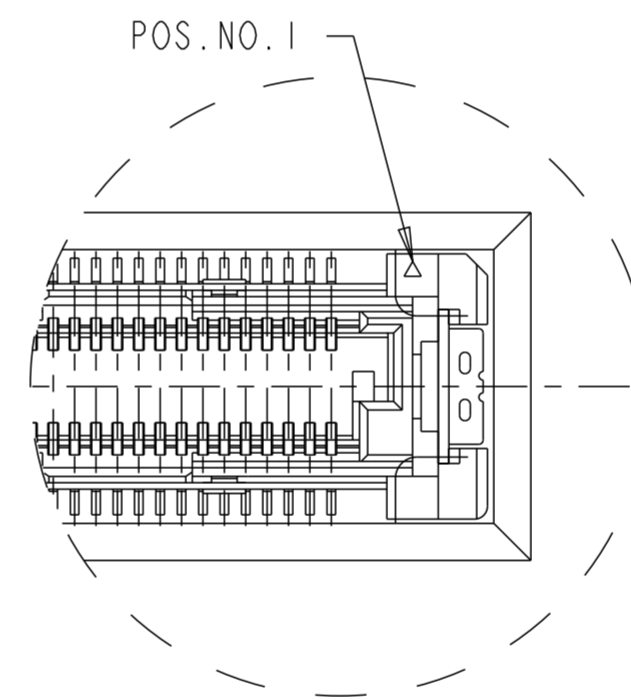
THIS DRAWING IS A CONTROLLED DOCUMENT.		DWN ART LIN 24JUN2019	TE Connectivity	
DIMENSIONS: mm		CHK HOPE LU 10OCT2019		
TOLERANCES UNLESS OTHERWISE SPECIFIED:		APVD HOPE LU 10OCT2019	NAME 8H PLUG ASSY 220POS FH 0.5MM BTB 16Gbps WITH G-PLATE	
0 PLC ±1		PRODUCT SPEC 108-32658	SIZE A2	
1 PLC ±0.3		APPLICATION SPEC 114-115003	CAGE CODE A200779	
2 PLC ±0.15		WEIGHT -	DRAWING NO C-2357798	
3 PLC ±0.050		RESTRICTED TO -		
4 PLC ±0.0250		SCALE 2:1 SHEET 3 OF 6 REV A		
ANGLES ±3°		CUSTOMER DRAWING		
FINISH -				
MATERIAL -				
SEE NOTE 1				
SEE NOTE 2				

WITH PICK UP CAP
2357798-2

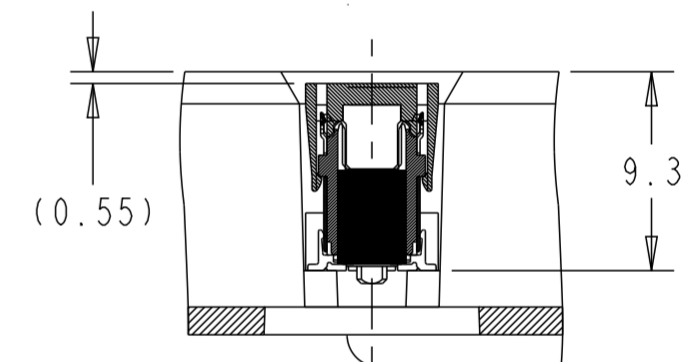
REVISIONS				
P	LTR	DESCRIPTION	DATE	APVD
-		SEE SHEET 1	-	-



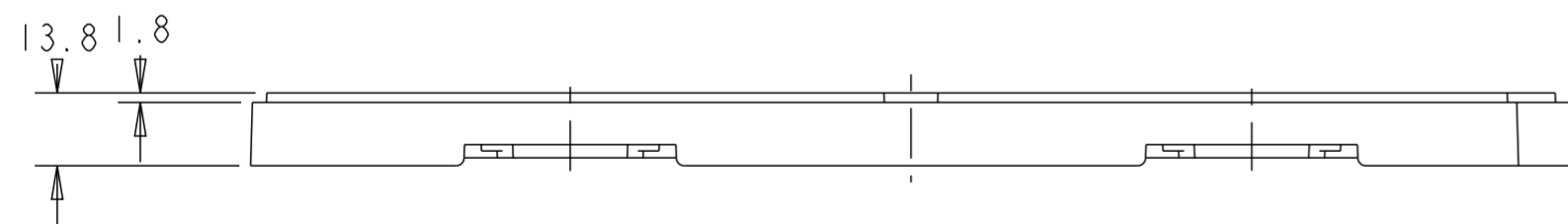
SECT. C-C
(SCALE 2:1)



DETAIL E
(SCALE 4:1)



SECT. D-D
(SCALE 2:1)

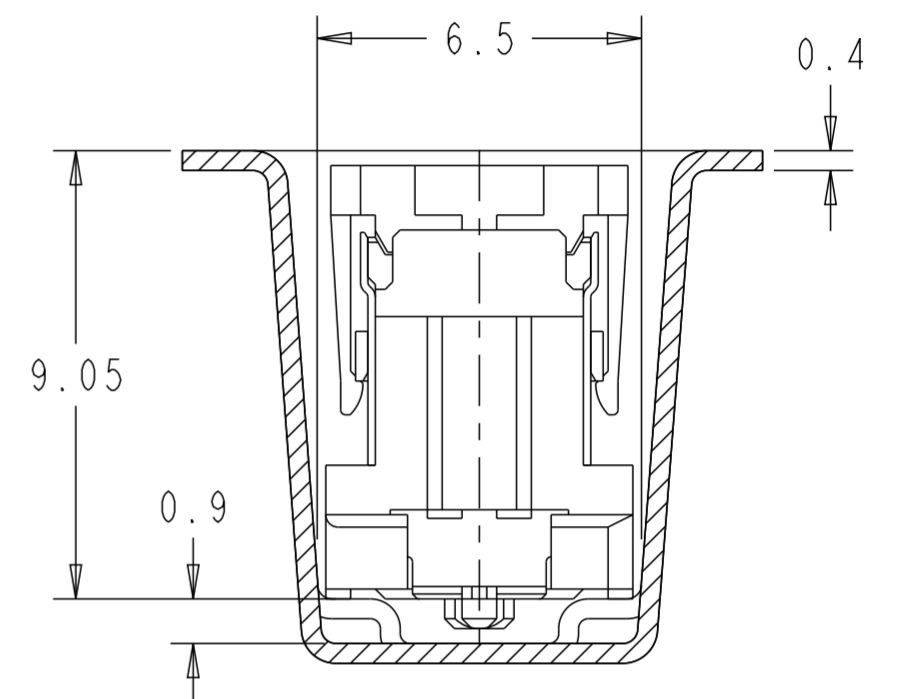
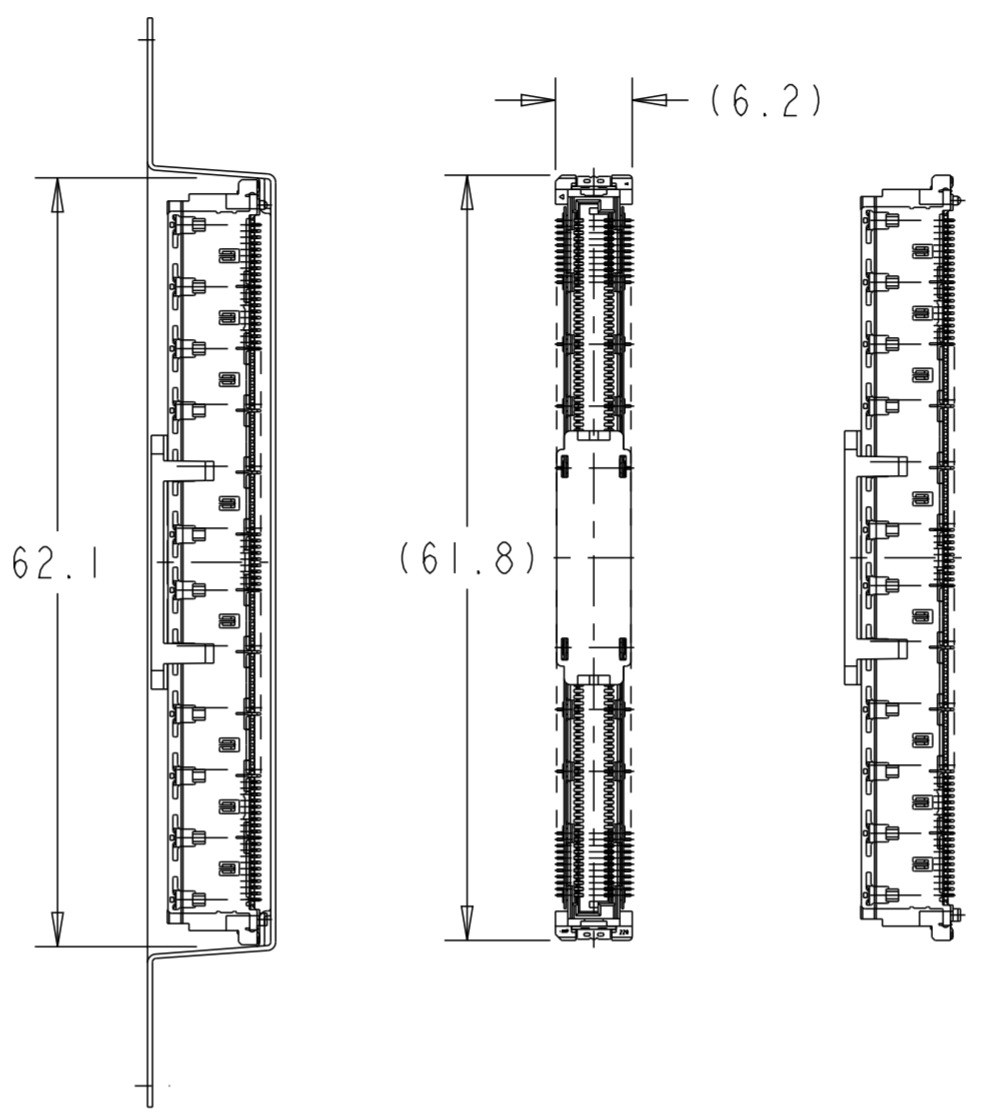
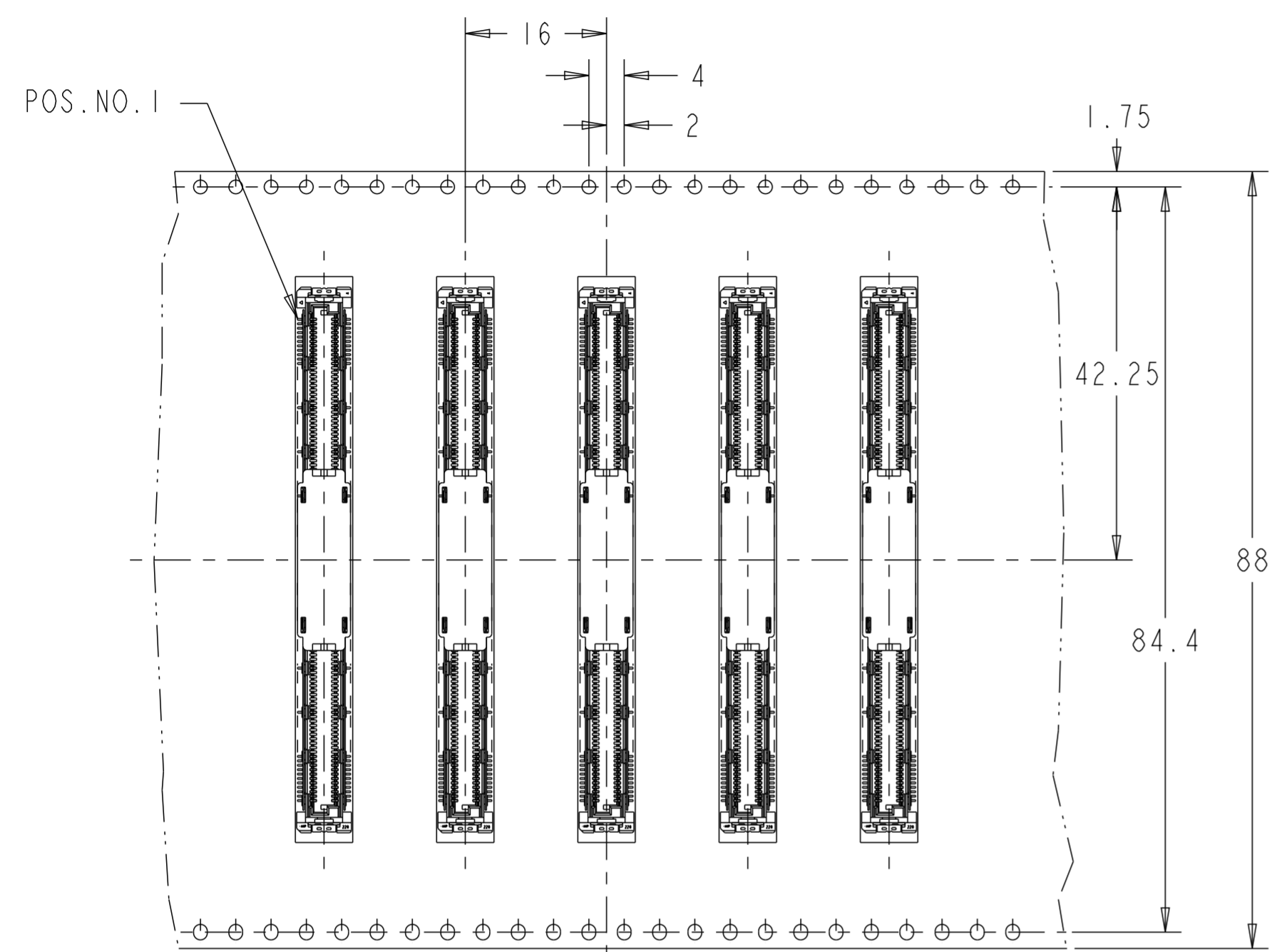


THIS DRAWING IS A CONTROLLED DOCUMENT.		DWN ART LIN 24JUN2019	TE Connectivity	
DIMENSIONS: mm		CHK HOPE LU 10OCT2019		
TOLERANCES UNLESS OTHERWISE SPECIFIED:		APVD HOPE LU 10OCT2019	NAME 8H PLUG ASSY 220POS FH 0.5MM BTB 16Gbps WITH G-PLATE	
0 PLC ±1	1 PLC ±0.3	PRODUCT SPEC 108-32658	SIZE A2	CAGE CODE 00779
2 PLC ±0.15	3 PLC ±0.050	APPLICATION SPEC 114-115003	DRAWING NO C-2357798	RESTRICTED TO -
4 PLC ±0.0250	ANGLES ±3°	WEIGHT -	SCALE 2:1 SHEET 4 OF 6 REV A	
MATERIAL -	FINISH -	CUSTOMER DRAWING		
SEE NOTE 1	SEE NOTE 2			

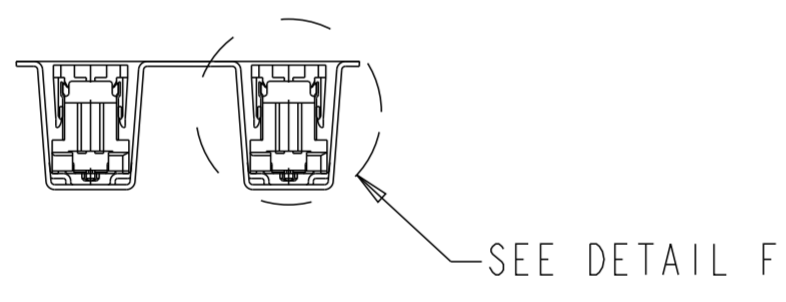
DIRECTION OFF TOP OF REEL →

REEL WITH PICK UP CAP
2357798-3

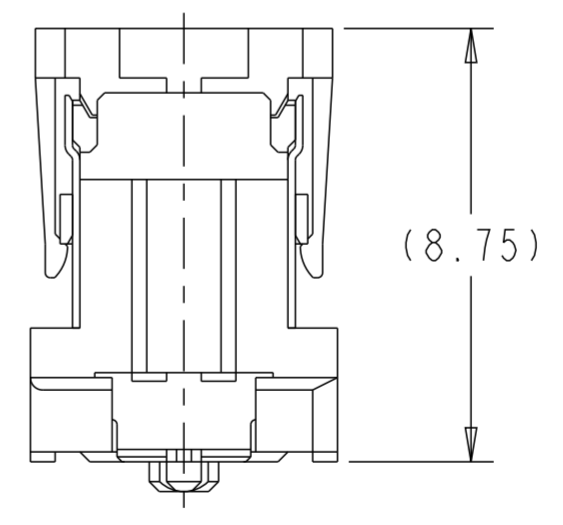
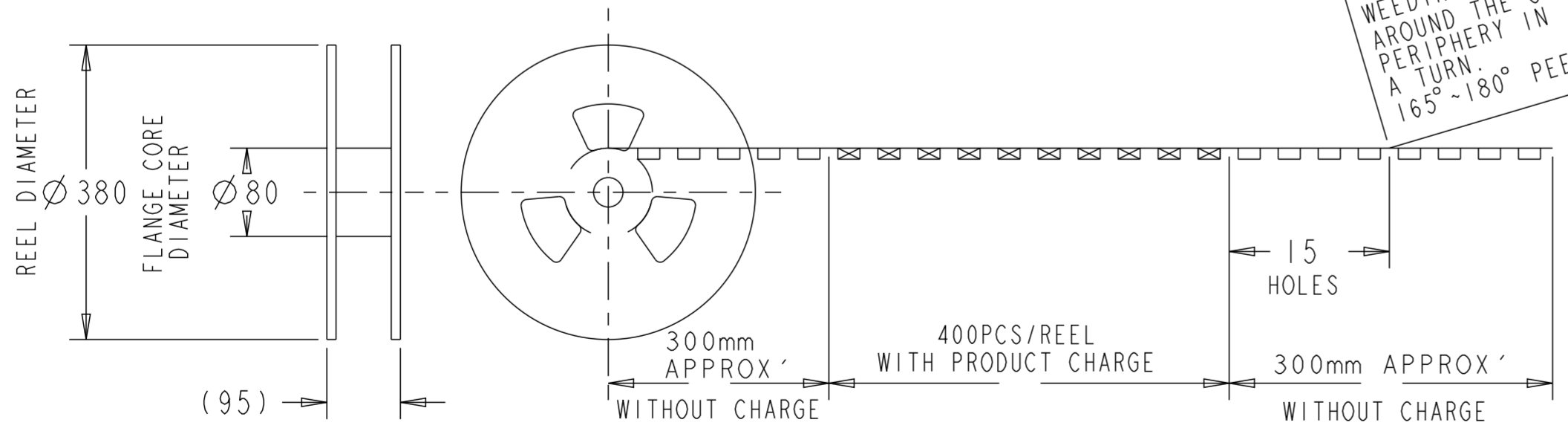
REVISIONS				
P	LTR	DESCRIPTION	DATE	APVD
-	-	SEE SHEET 1	-	-



DETAIL F
(SCALE 4:1)



WEEDING THE COVER TAPE
AROUND THE OUTER
PERIPHERY IN
A TURN.
165°-180° PEELING ANGLE

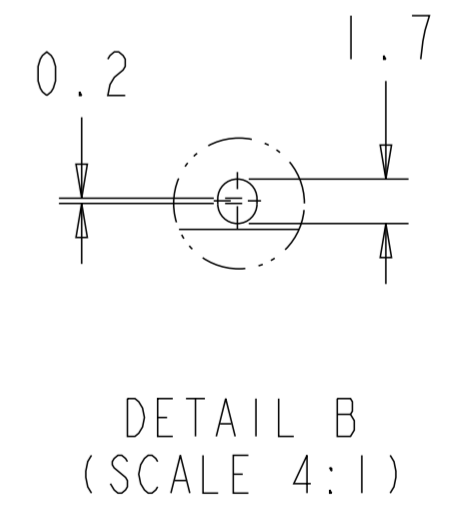
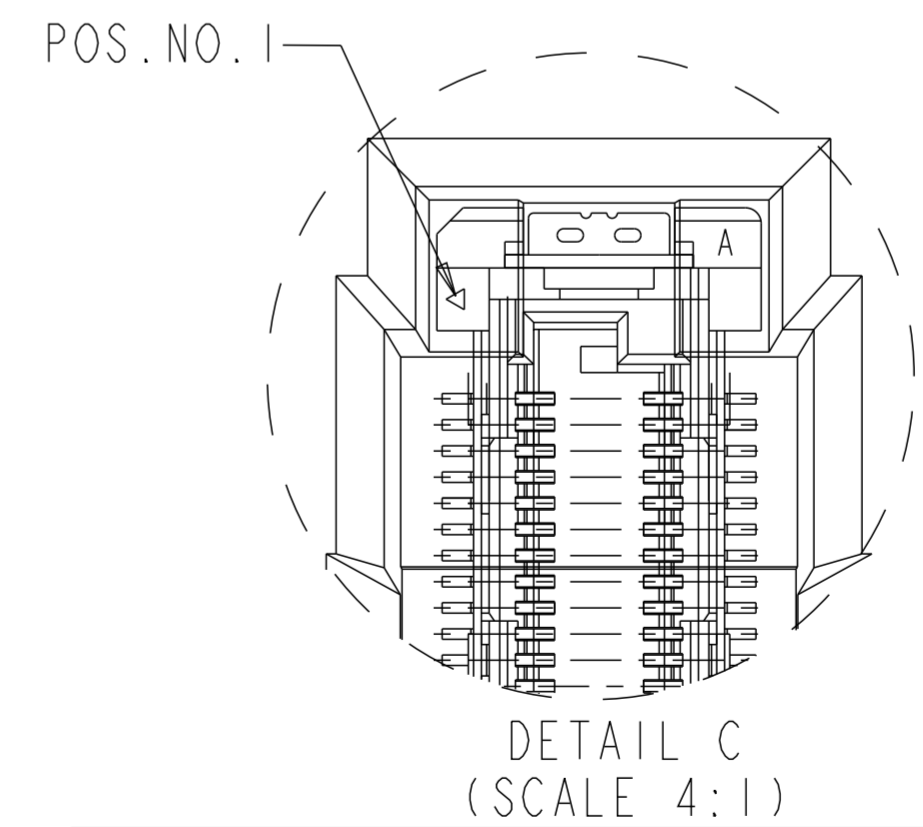
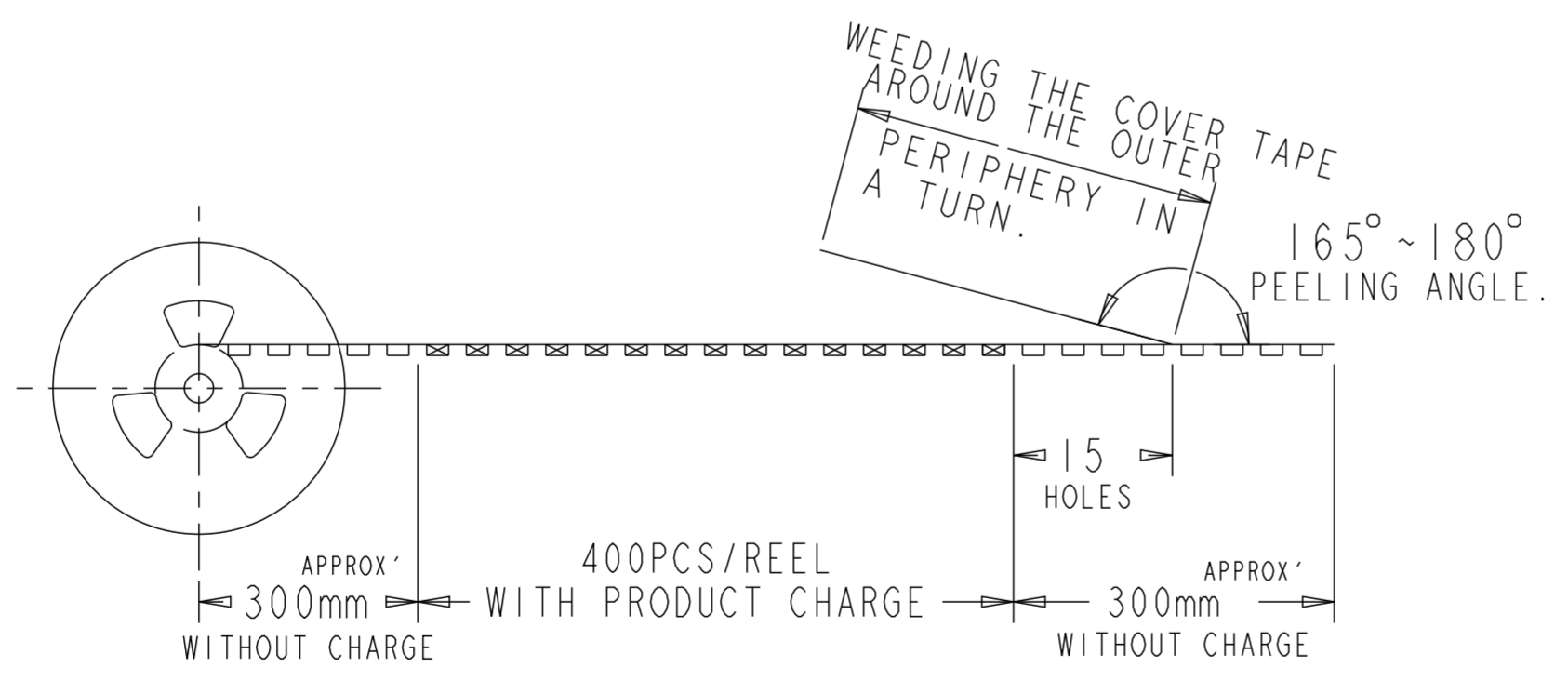
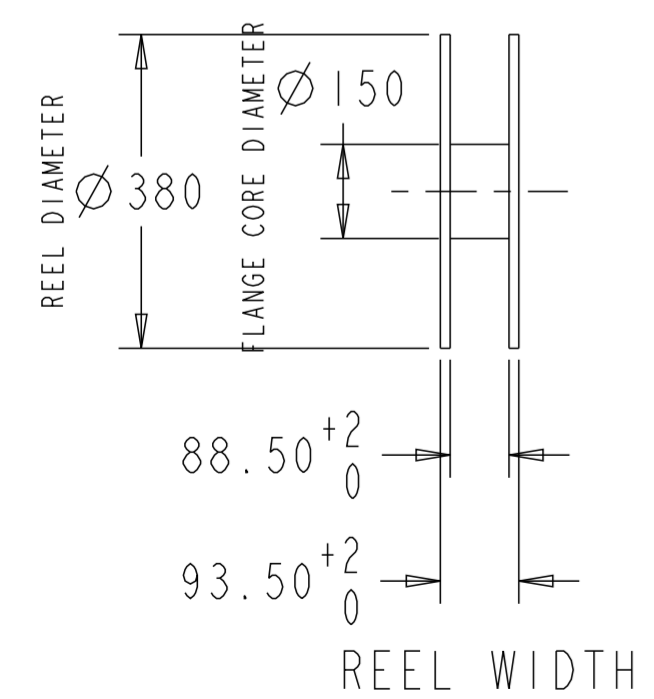
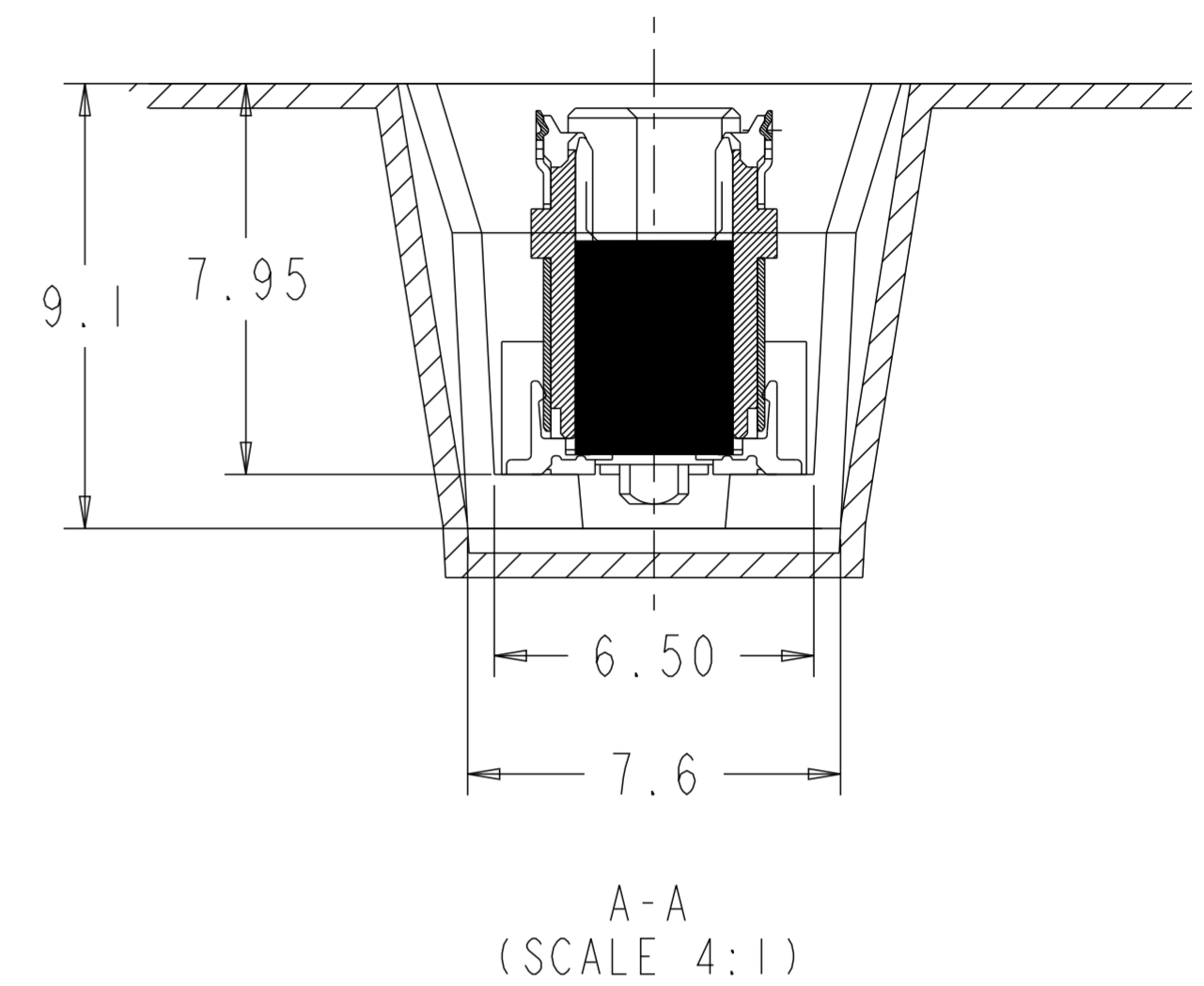
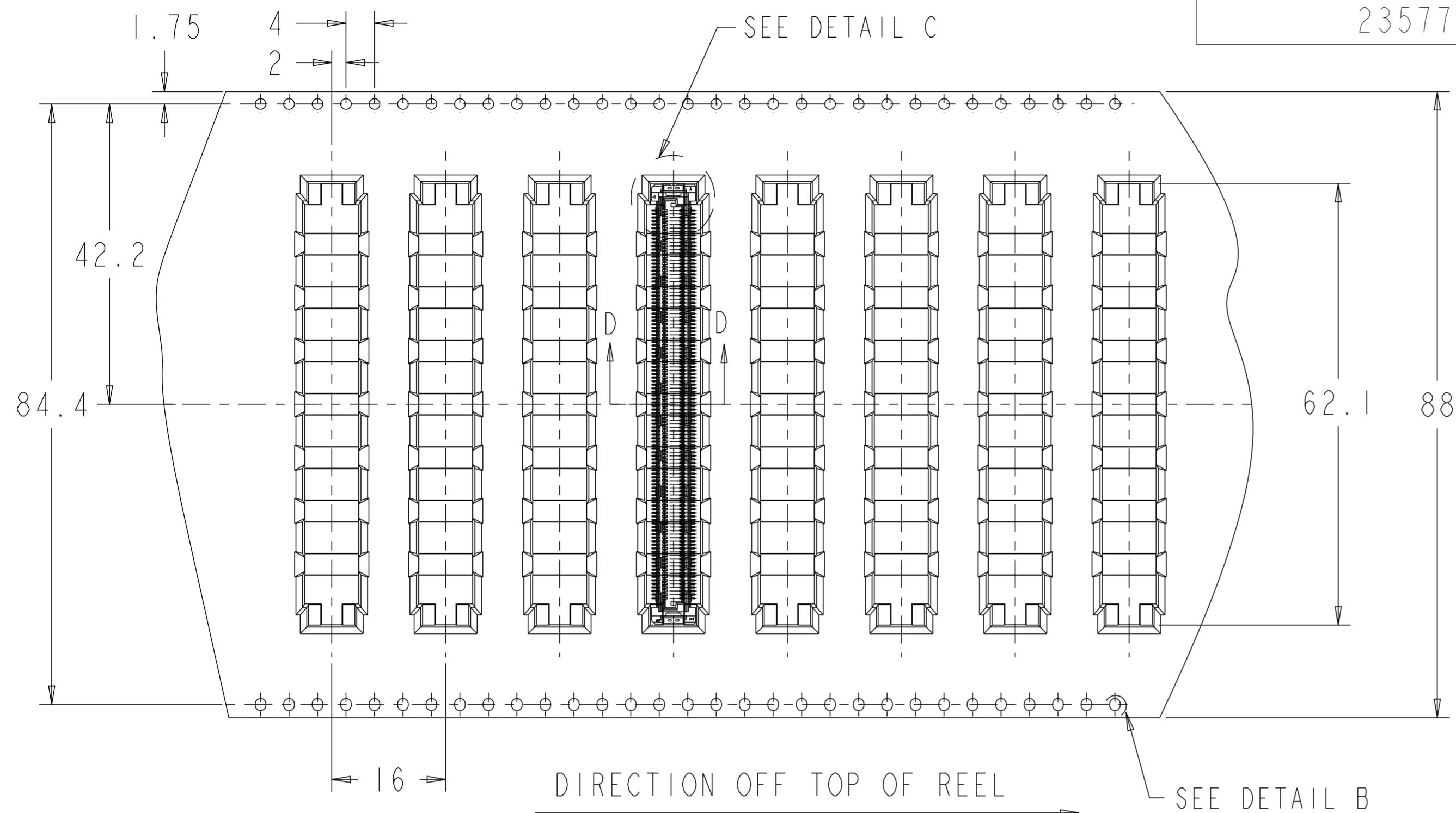


CONNECTOR DETAIL

THIS DRAWING IS A CONTROLLED DOCUMENT.		DWN ART LIN 24JUN2019	TE Connectivity	
DIMENSIONS: mm		CHK HOPE LU 10OCT2019		
TOLERANCES UNLESS OTHERWISE SPECIFIED:		APVD HOPE LU 10OCT2019	NAME 8H PLUG ASSY 220POS FH 0.5MM BTB 16Gbps WITH G-PLATE	
0 PLC ±1		PRODUCT SPEC 108-32658	SIZE A200779	
1 PLC ±0.3		APPLICATION SPEC 114-115003	CAGE CODE C-2357798	
2 PLC ±0.15		WEIGHT -	DRAWING NO -	
3 PLC ±0.050		MATERIAL -	RESTRICTED TO -	
4 PLC ±0.0250		SEE NOTE 1	SCALE 2:1	
ANGLES ±3°		SEE NOTE 2	SHEET 5 OF 6	
FINISH -		CUSTOMER DRAWING	REV A	

REEL WITHOUT PICK UP CAP
2357798-4

REVISIONS				
P	LTR	DESCRIPTION	DATE	APVD
-		SEE SHEET 1	-	-



THIS DRAWING IS A CONTROLLED DOCUMENT.		DWN ART LIN 24JUN2019	TE Connectivity	
DIMENSIONS: mm		CHK HOPE LU 10OCT2019		
TOLERANCES UNLESS OTHERWISE SPECIFIED:		APVD HOPE LU 10OCT2019	NAME 8H PLUG ASSY 220POS FH 0.5MM BTB 16Gbps WITH G-PLATE	
0 PLC ±1	1 PLC ±0.3	PRODUCT SPEC 108-32658	SIZE A200779	
2 PLC ±0.15	3 PLC ±0.050	APPLICATION SPEC 114-115003	CAGE CODE C-2357798	
4 PLC ±0.0250	ANGLES ±3°	WEIGHT -	DRAWING NO C-2357798	
MATERIAL SEE NOTE 1	FINISH SEE NOTE 2	CUSTOMER DRAWING	RESTRICTED TO -	SCALE 2:1
			SHEET 6 OF 6	REV A

X-ON Electronics

Largest Supplier of Electrical and Electronic Components

Click to view similar products for [Board to Board & Mezzanine Connectors](#) category:

Click to view products by [TE Connectivity](#) manufacturer:

Other Similar products are found below :

[589158040000018](#) [MDF7C-18P-2.54DSA\(55\)](#) [FCN-230C068-11](#) [FCN-268F012-G/BD](#) [FCN-268F036-G/BD](#) [FCN-268M012-G/0D](#) [FCN-268M024-G/1D](#) [FCN-723J004/1](#) [MIS-048-01-F-D-DP-K](#) [832-10-034-10-001000](#) [FX4C-80S-1.27DSA](#) [FCN-214Q030-G/0](#) [FCN-234P048-G/0](#) [FCN-235D050-G/C](#) [210-93-314-41-105000](#) [2-22603-0](#) [MDF7-40DP-2.54DSA\(55\)](#) [AXG720047](#) [5031084030](#) [MIT-114-03-F-D-K](#) [55323-1519](#) [DF33-2P-3.3DSA\(24\)](#) [YFT-20-05-H-03-SB-K](#) [503308-3040](#) [026-6203-PDB](#) [027-6203-PDB](#) [069159702701000](#) [10123981-102LF](#) [101A10019X](#) [55650-0588-C](#) [68682-310LF](#) [68684-306](#) [75140-7012](#) [87471-650](#) [194261-1](#) [FCN-268F024-G0D](#) [10124054-515LF](#) [68685-603](#) [8-1616154-3](#) [MIS-019-01-F-D](#) [541371078](#) [IL-WX-10PB-HF-B-E1000E](#) [FCN-268M024-G/3D](#) [20021832-06016C1LF](#) [KX15-20KLDL-E1000E](#) [MDF7-16DP-2.54DSA\(55\)](#) [AXE810124](#) [FCN-214J100-G/0](#) [FCN-230C068-E/S](#) [AXE812124](#)