

REVISIONS				
P	LTN	DESCRIPTION	DATE	APVD
A		FIRST RELEASE	30JUN2020	SZ SZ

NOTES, UNLESS OTHERWISE SPECIFIED

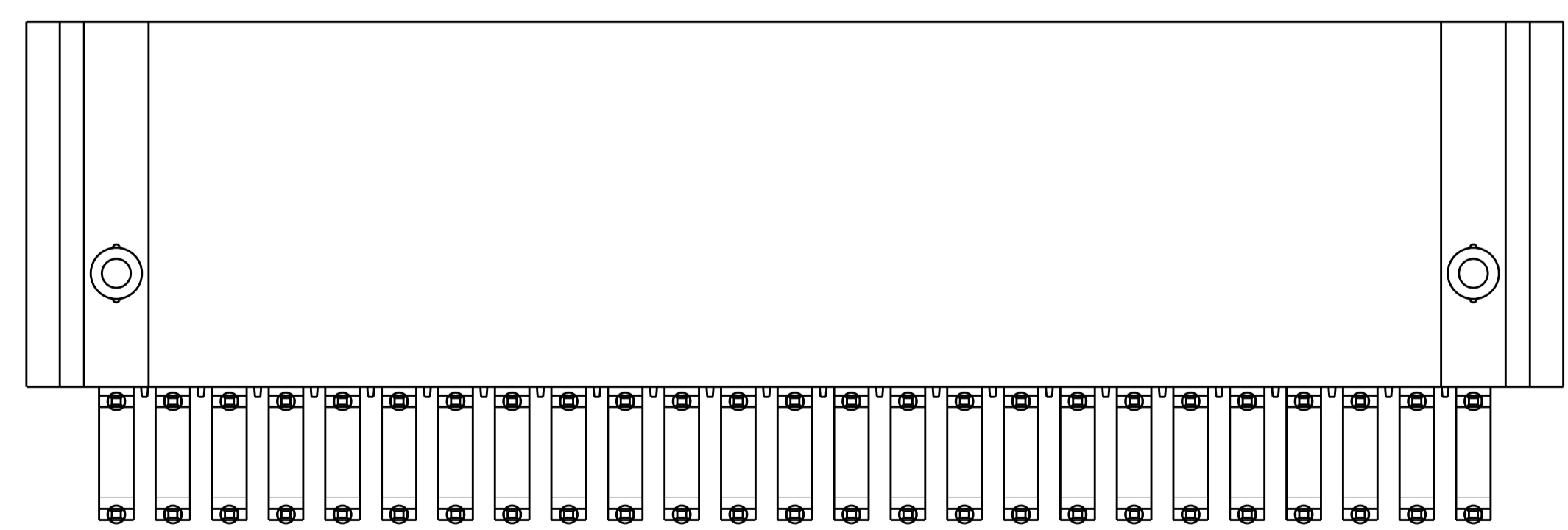
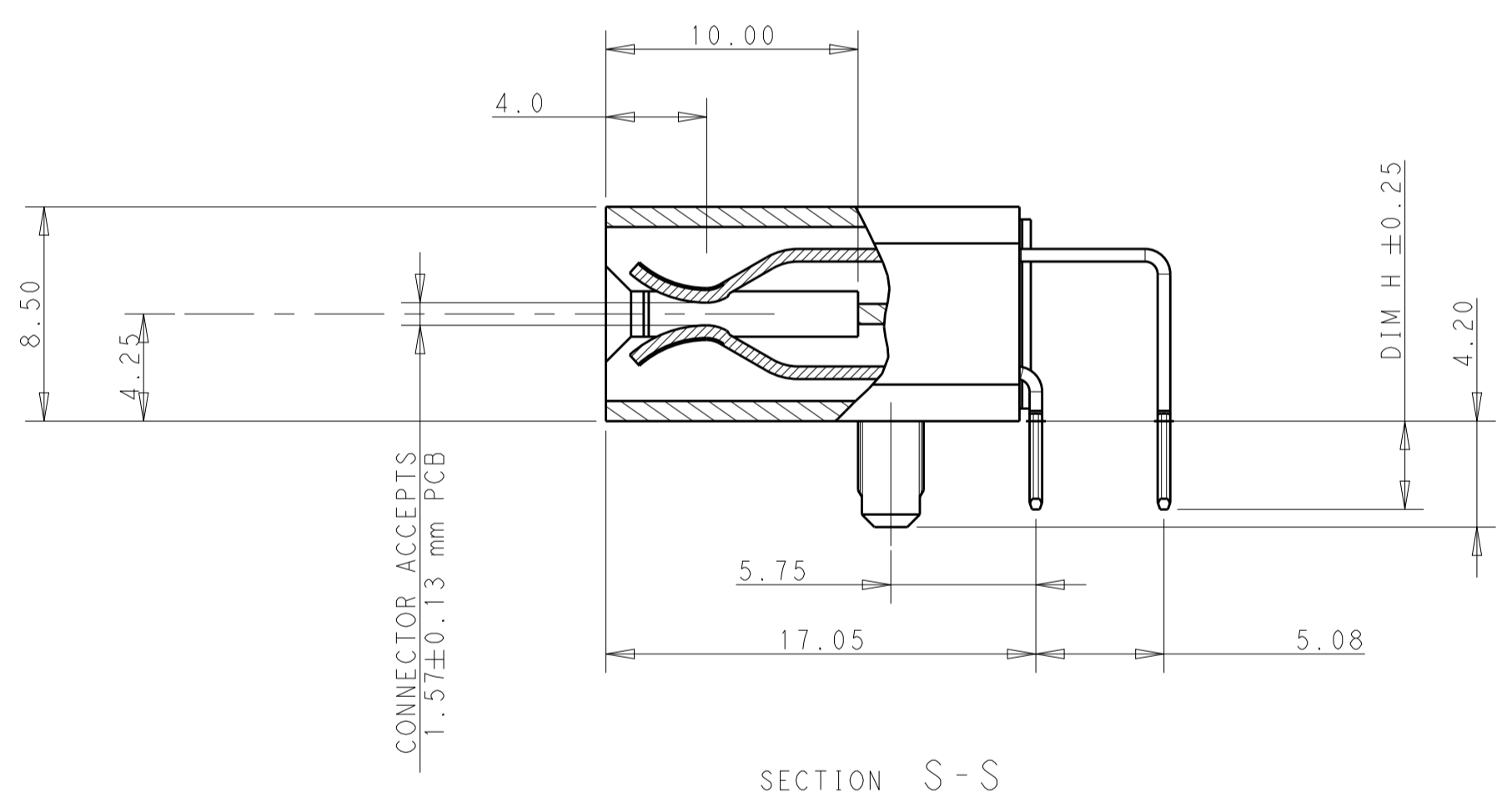
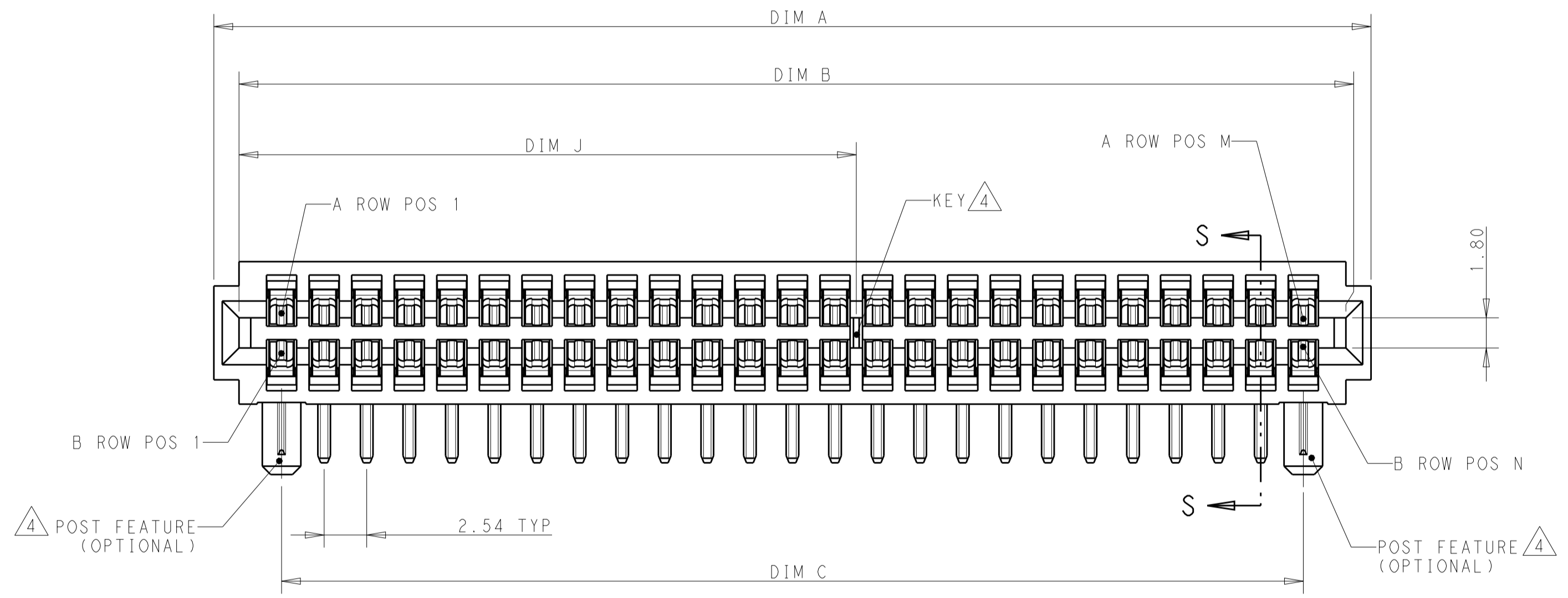
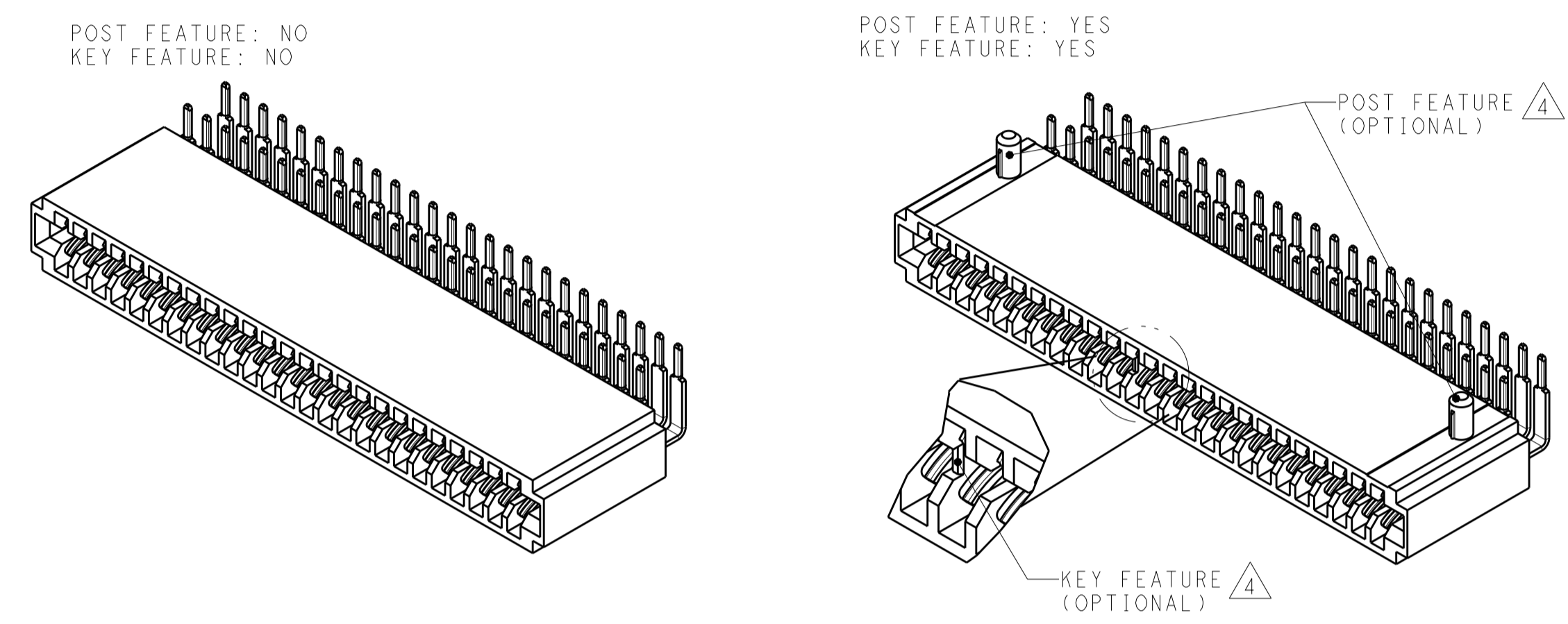
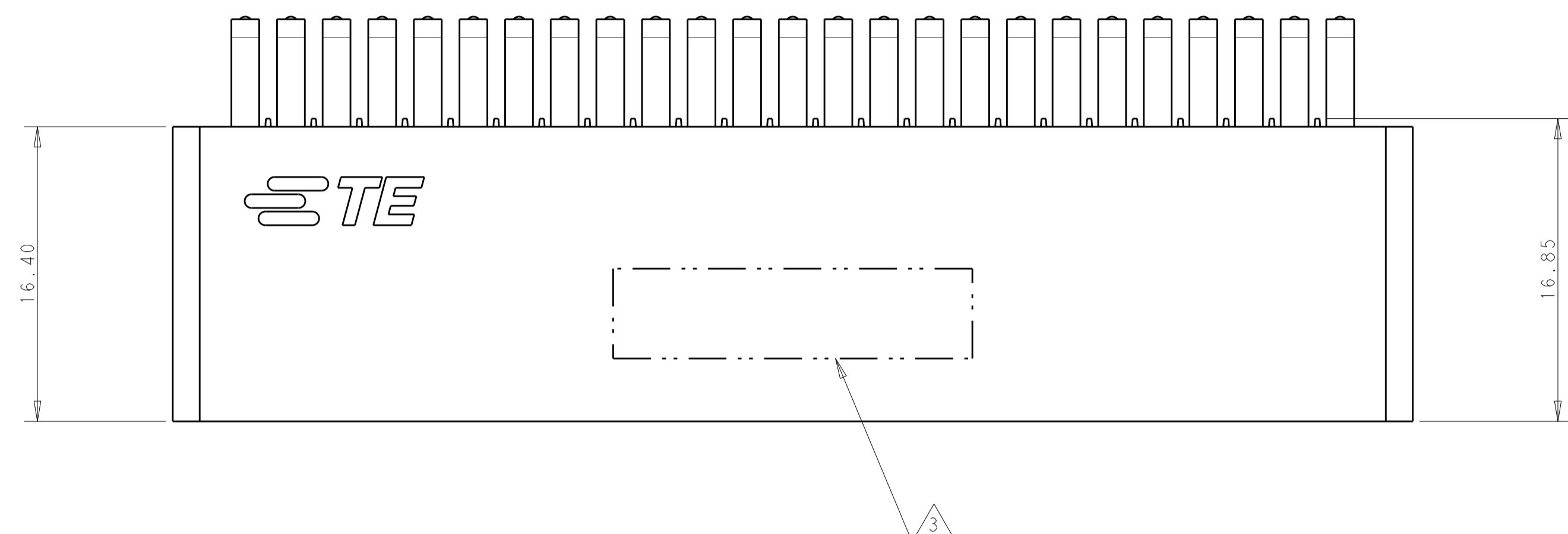
1. MATERIAL:
HOUSING - THERMOPLASTIC, GLASS PREINFORCED, COLOR, BLACK, UL 94V-0
CONTACTS - COPPER ALLOY.

2. FINISH:
MATING AREA - NOBLE METAL OVERALL NICKEL.
SOLDER TAIL - MATTE TIN OVERALL NICKEL.

3. MARK P/N AND DATA CODE IN APPROX. AREA AS SHOWN.

4. OPTIONAL FEATURE BASE ON SPECIFIC PART NUMBER, SEE THE TABLE FOR DETAIL

5. NO TOOLING.



NO	YES	34.29	36.83	3.50	/	60.96	30.48	65.74	/	66.04	69.04	25	25	2358256-5
NO	NO	/	/	2.50	/	60.96	30.48	65.74	/	66.04	69.04	25	25	2358256-4
YES	NO	/	/	3.50	17.78	17.78	8.89	22.56	17.78	22.86	25.86	8	8	2358256-3
YES	YES	34.29	36.83	3.50	60.96	60.96	30.48	65.74	60.96	66.04	69.04	25	25	2358256-2
NO	NO	/	/	3.50	/	60.96	30.48	65.74	/	66.04	69.04	25	25	2358256-1
POST 4	KEY 4	DIM K	DIM J	DIM H	DIM G	DIM F	DIM E	DIM D	DIM C	DIM B	DIM A	N	M	PART NUMBER

THIS DRAWING IS A CONTROLLED DOCUMENT.

DIMENSIONS: mm

TOLERANCES UNLESS OTHERWISE SPECIFIED:

0 PLC	±0.5
1 PLC	±0.5
2 PLC	±0.25
3 PLC	±0.10
4 PLC	±0.10
ANGLES	±0.10
FINISH	±0.10

MATERIAL: -

FINISH: -

APVD: SEAN ZHANG 11JUN2019

CHK: SUNY ZHAO 11JUN2019

NAME: SINGLE BEAM CARD EDGE RIGHT ANGLE

SIZE: A1

CAGE CODE: -

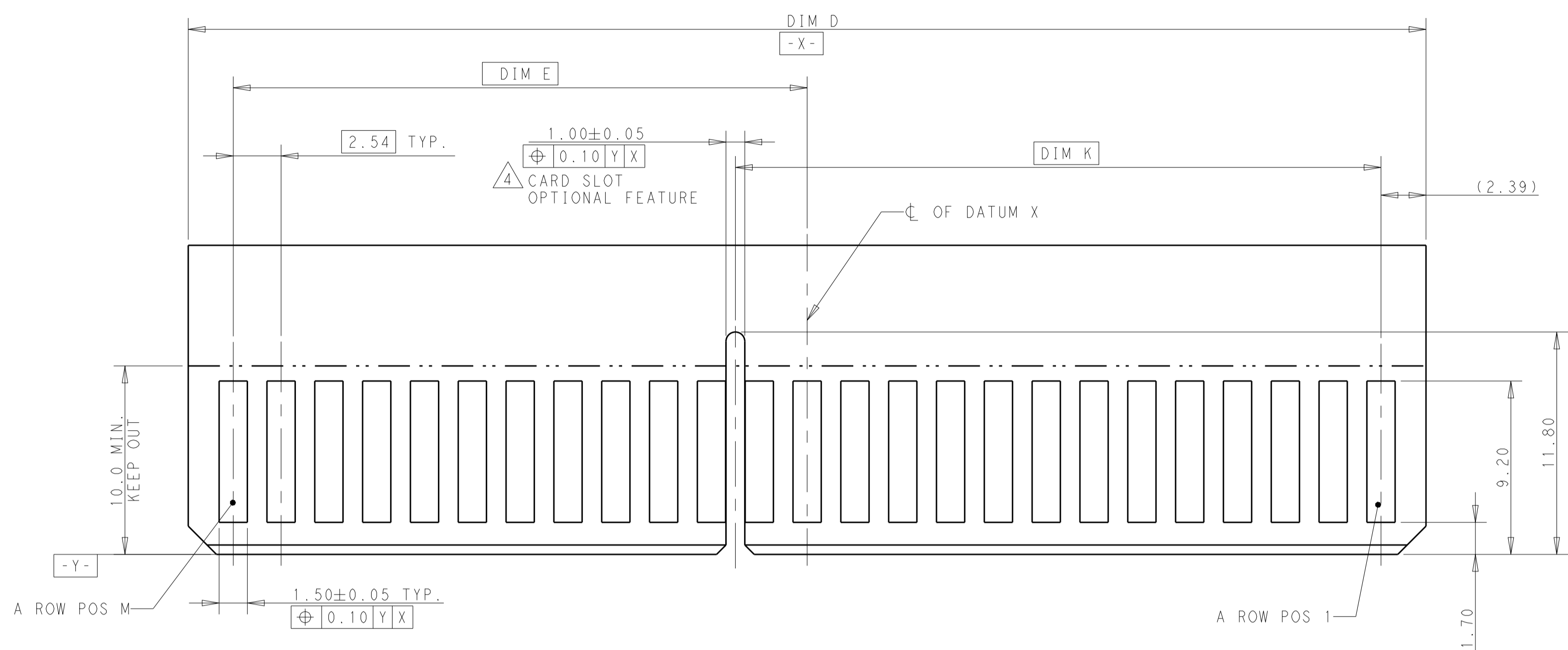
DRAWING NO: 2358256

SCALE: 2:1

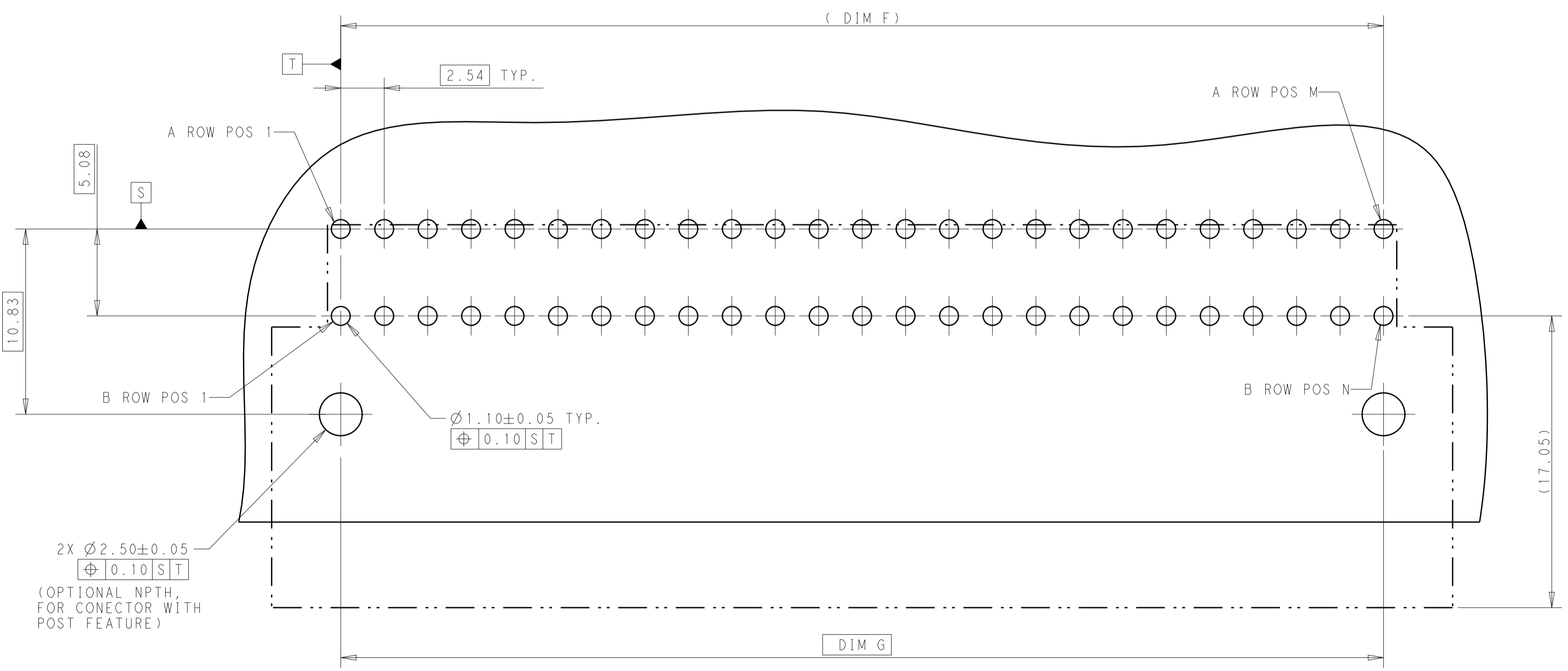
SHEET 1 OF 2

REV A

REVISIONS					
P.	LTN	DESCRIPTION	DATE	DMN	APVD
-	-	SEE SHEET 1	-	-	-



RECOMMENDED MATING BOARD EDGE CONFIGURATION (PRIMARY SIDE SHOWN)



RECOMMENDED MOUNTING BOARD CONFIGURATION LAYOUT VIEW FROM COMPONENT SIDE

THIS DRAWING IS A CONTROLLED DOCUMENT.		DMN: SEAN ZHANG	11JUN2019	 TE Connectivity
DIMENSIONS: mm		CHK: -	-	
TOLERANCES UNLESS OTHERWISE SPECIFIED:		APVD: SUNY ZHAO	11JUN2019	NAME: SINGLE BEAM CARD EDGE RIGHT ANGLE
0 PLC	±	PRODUCT SPEC	-	APPLICATION SPEC
1 PLC	±0.10	APPLICATION SPEC	-	RESTRICTED TO
2 PLC	±0.05	SIZE: A1	CAGE CODE: -	DRAWING NO: C=2358256
3 PLC	±	WEIGHT: -	SCALE: 2:1	SHEET: 2 OF 2
4 PLC	±	CUSTOMER DRAWING	REV: A	
ANGLES	±			
MATERIAL: TBD				

X-ON Electronics

Largest Supplier of Electrical and Electronic Components

Click to view similar products for [Standard Card Edge Connectors](#) category:

Click to view products by [TE Connectivity](#) manufacturer:

Other Similar products are found below :

[CR7E-30DB-3.96E\(72\)](#) [6364499-1](#) [6565204-6](#) [PKC-156](#) [1437274-4](#) [147889-1](#) [1489165-4](#) [EBT15622B2X](#) [1-582587-1](#) [284-0102-12100](#)
[286-0052-12101A](#) [306022901000000](#) [307-012-502-202](#) [307-056-520-300](#) [2129318-1](#) [245-062-520-350](#) [287-0032-12101](#) [306-028-525-102](#)
[307-072-526-202](#) [345-060-559-303](#) [392-008-559-201](#) [534671-1](#) [341-240-317](#) [345-044-500-300](#) [346-240-318](#) [395-100-524-300](#) [09-07-2032](#)
[10035388-802LF](#) [10115859-011LF](#) [10122859-009LF](#) [10127905-B04B24BLF](#) [530555-1](#) [5-678046-1](#) [73726-0005](#) [66308-1](#) [1-1437275-6](#)
[PEC-07-02-T-S-A](#) [346-014-520-801](#) [307-048-502-202](#) [CE100F22-9-C](#) [CE100F26-7-C](#) [CE100F28-3-D](#) [CE156F18-9-C](#) [CE156F22-5-D](#)
[CE156F22-9-C](#) [CT100F22-2-D](#) [CT100F22-3-D](#) [CT100F24-2-D](#) [CT100F24-3-D](#) [CT100F24-6-C](#)