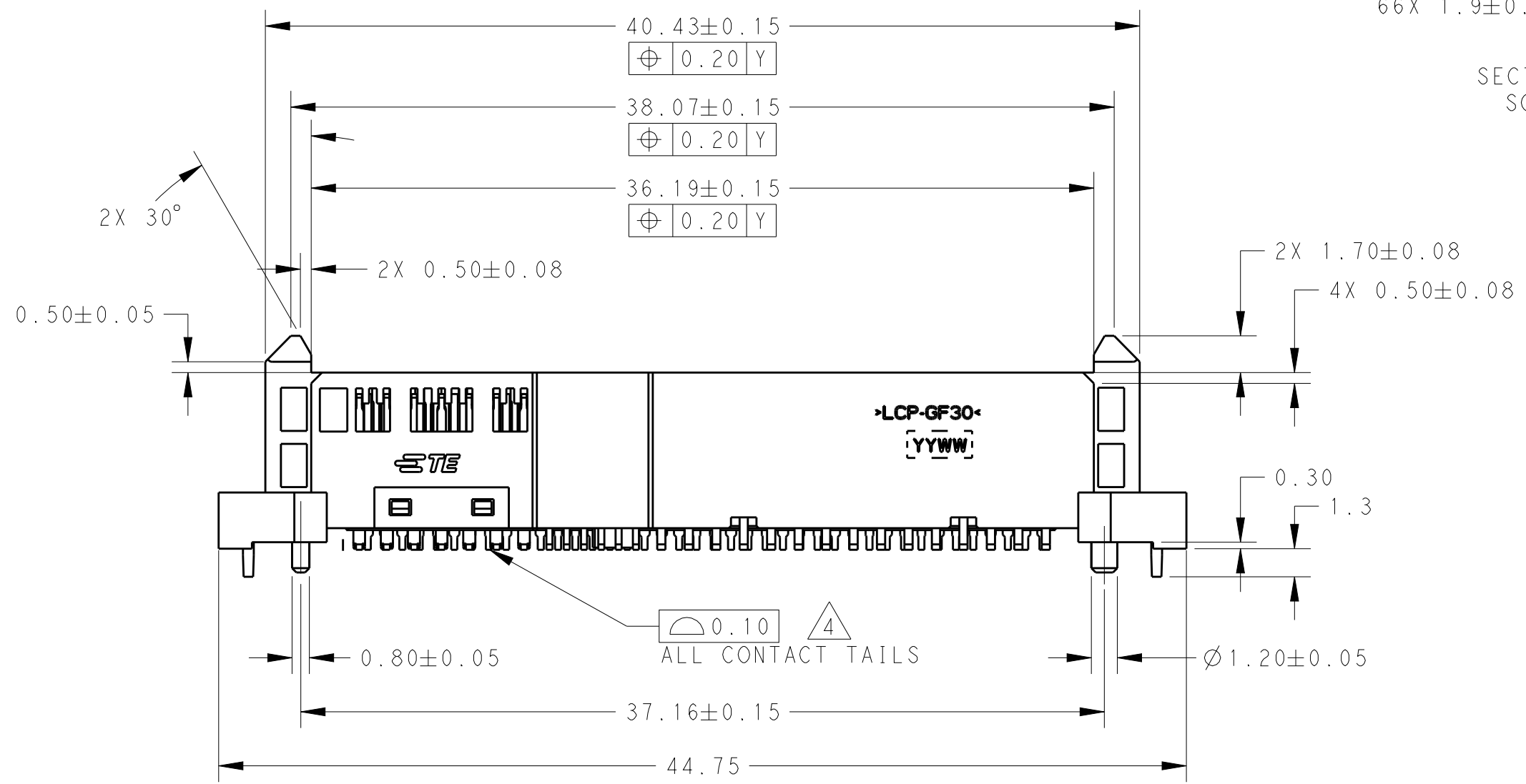
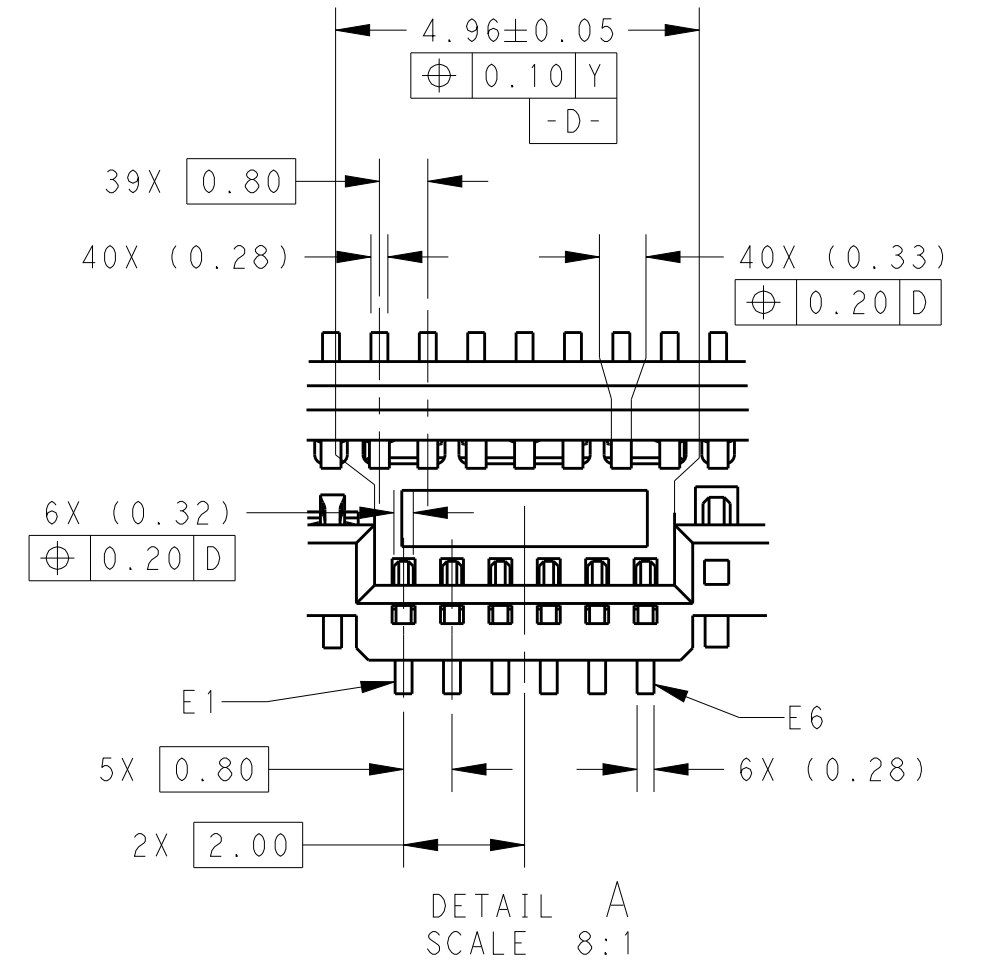
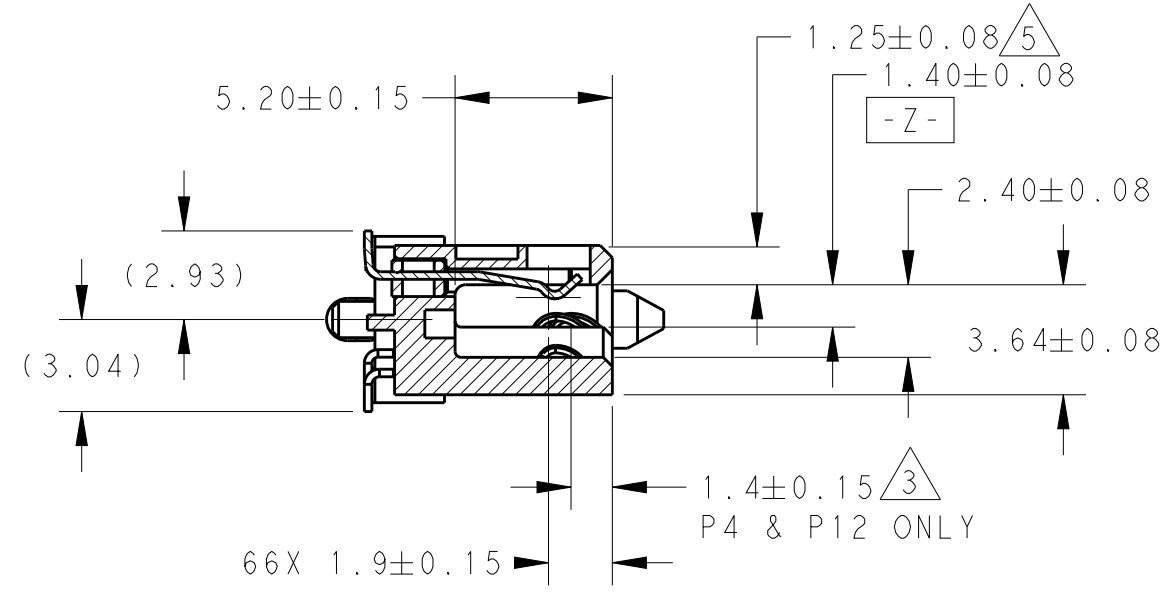
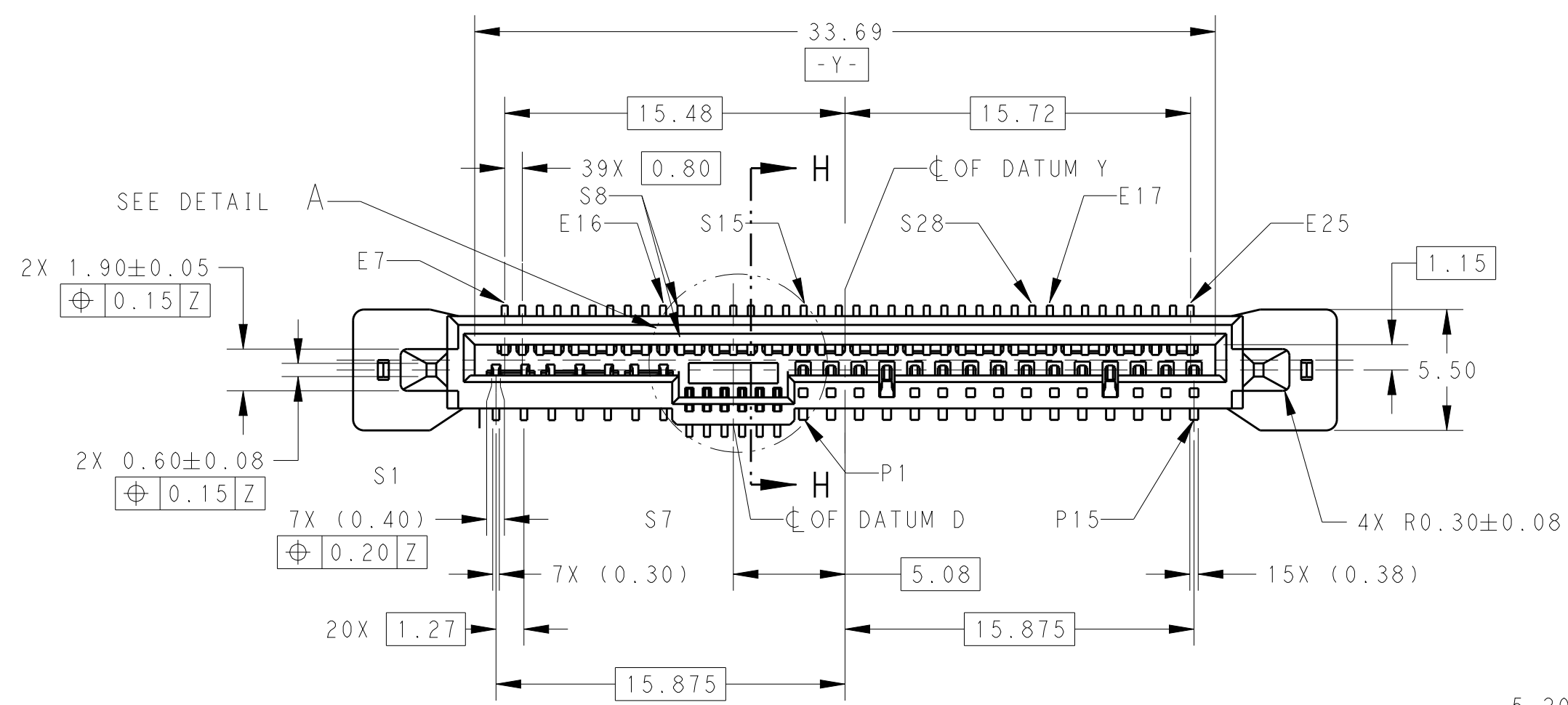


THIS DRAWING IS UNPUBLISHED. RELEASED FOR PUBLICATION 20  
 © COPYRIGHT 20 BY - ALL RIGHTS RESERVED.

REVISIONS					
P	LTR	DESCRIPTION	DATE	DWN	APVD
	A	RELEASED FOR MASS PRODUCTION	21JAN2021	TX	DZ

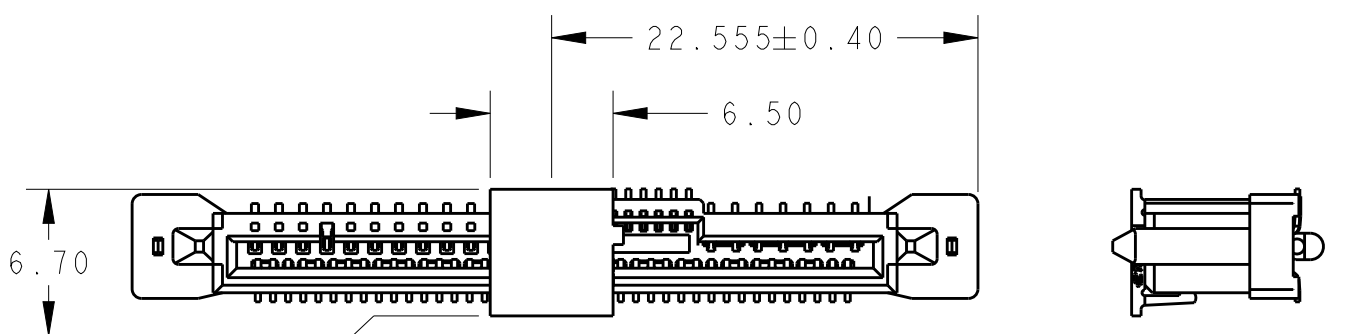


TRAY	YES	2358336-3
TAPE & REEL	YES	2358336-2
TRAY	NO	2358336-1
PACKAGING	PICK-UP CAP (1)	PART NUMBER

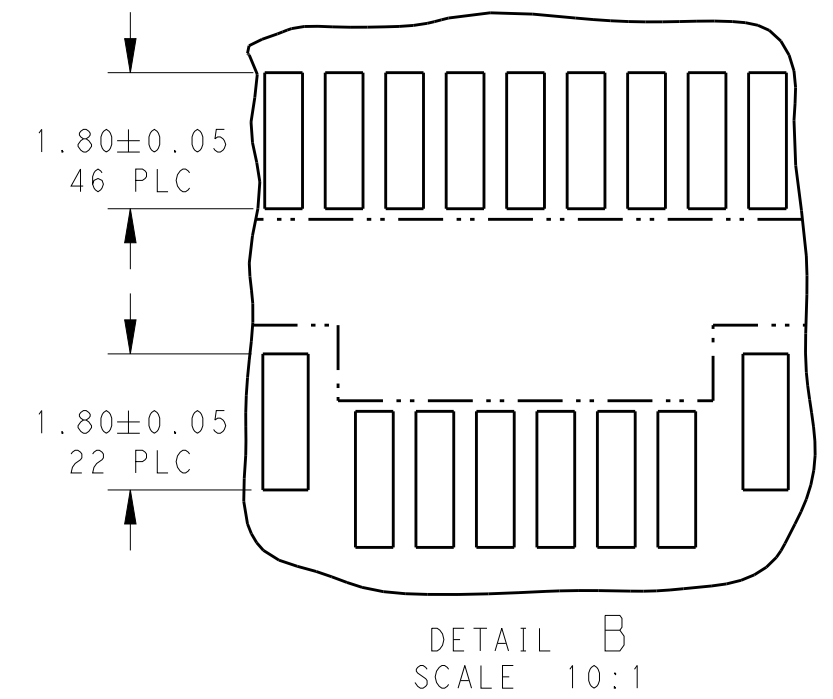
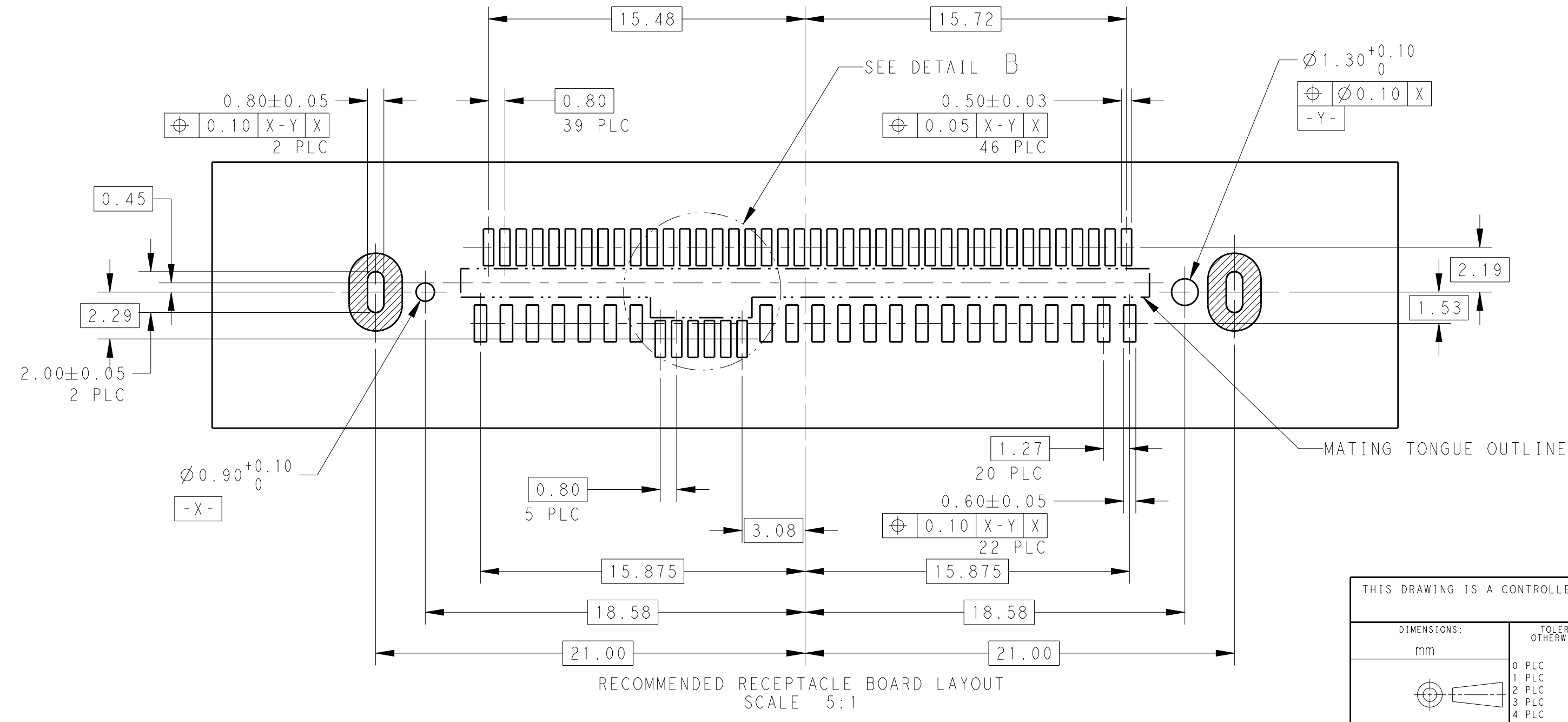
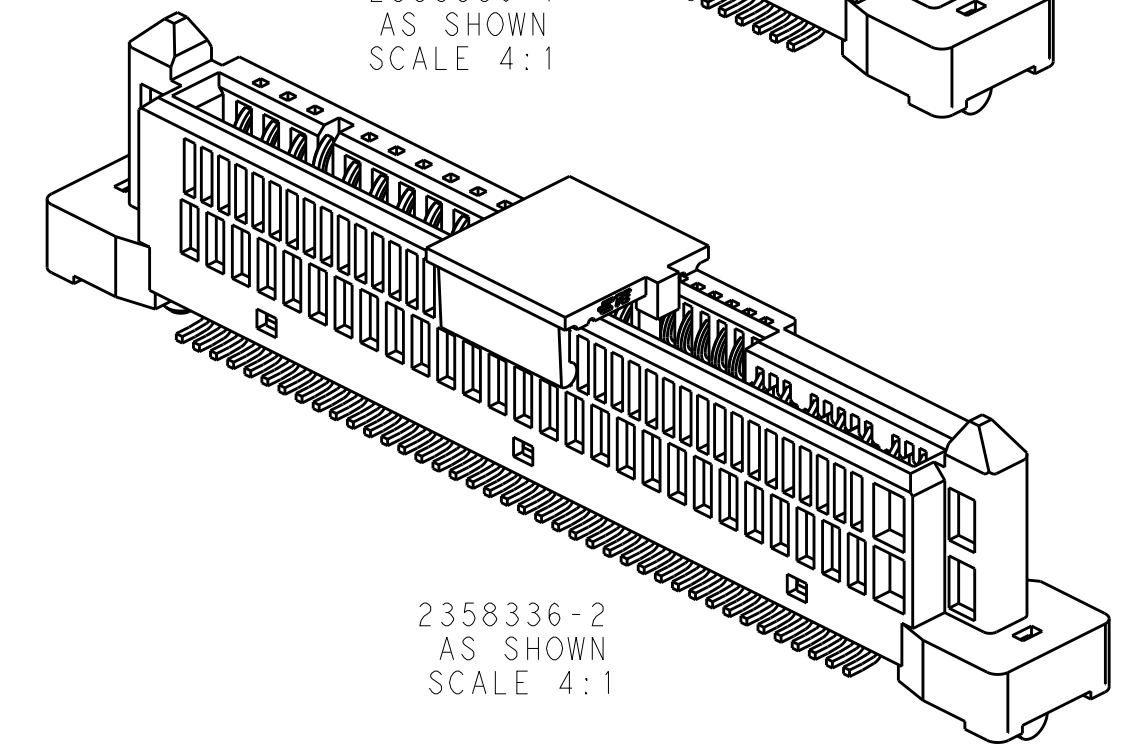
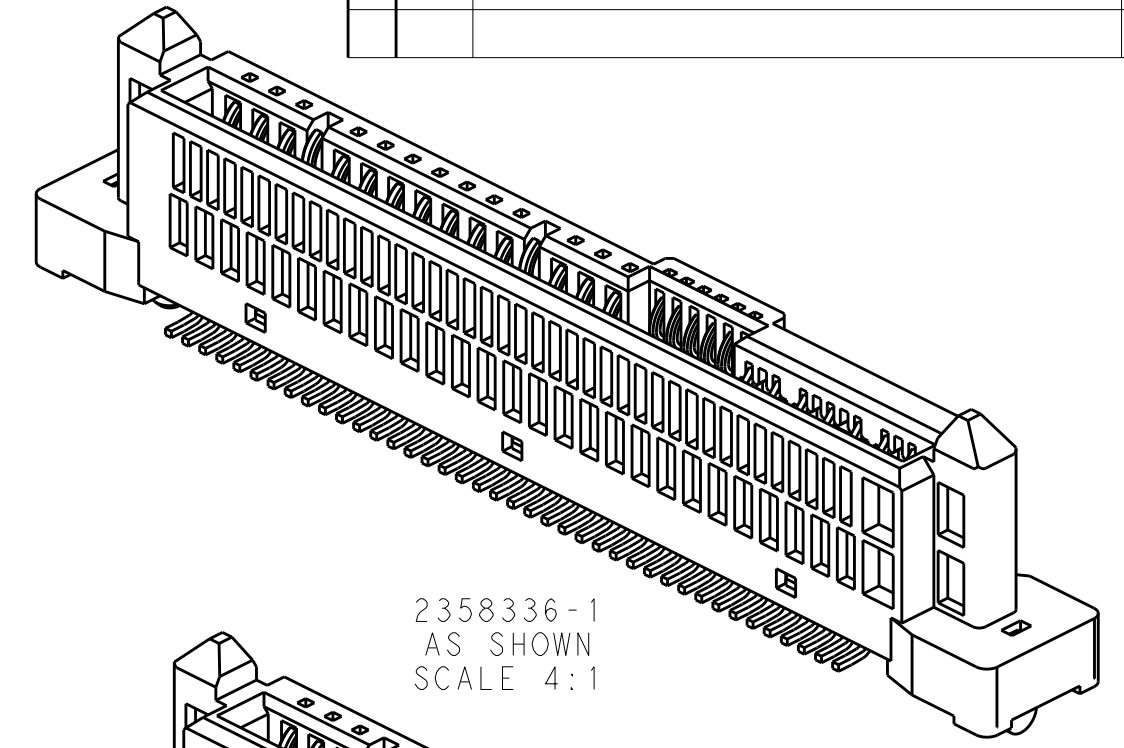
THIS DRAWING IS A CONTROLLED DOCUMENT.		DWN TIM XUE 13JUN2019	TE Connectivity	
DIMENSIONS: mm		CHK DAVID ZHANG 13JUN2019		
TOLERANCES UNLESS OTHERWISE SPECIFIED:		APVD DAVID ZHANG 13JUN2019	NAME SFF-8639 GEN4 RECEPTACLE CONNECTOR	
0 PLC ±		PRODUCT SPEC 108-60136	SIZE A200779	
1 PLC ±0.20		APPLICATION SPEC 114-60017	CAGE CODE C-2358336	
2 PLC ±0.20		WEIGHT -	DRAWING NO -	
3 PLC ±0.20		CUSTOMER DRAWING	RESTRICTED TO -	
4 PLC ±		SCALE 2:1	SHEET 1 OF 2	
ANGLES FINISH			REV A1	

THIS DRAWING IS UNPUBLISHED. RELEASED FOR PUBLICATION 20  
 © COPYRIGHT 20 BY - ALL RIGHTS RESERVED.

LOC	DIST	REVISIONS			
P	LTR	DESCRIPTION	DATE	DWN	APVD
DY	-	SEE SHEET 1	-	-	-



P/N: 2358336-2 AS SHOWN  
 RECEPTACLE WITH PICK-UP CAP



THIS DRAWING IS A CONTROLLED DOCUMENT.

DIMENSIONS:	TOLERANCES UNLESS OTHERWISE SPECIFIED:	DWN	13JUN2019	 TE Connectivity
mm	0 PLC ±	CHK	13JUN2019	
	1 PLC ±0.20	APVD	13JUN2019	
	2 PLC ±0.20	PRODUCT SPEC	108-60136	
	3 PLC ±0.20	APPLICATION SPEC	114-60017	NAME
	4 PLC ±	WEIGHT	-	SFF-8639 GEN4 RECEPTACLE CONNECTOR
MATERIAL	FINISH	CUSTOMER DRAWING	SCALE 2:1	SIZE
			SHEET 2 OF 2	CAGE CODE
			REV A1	DRAWING NO
				RESTRICTED TO

## X-ON Electronics

Largest Supplier of Electrical and Electronic Components

*Click to view similar products for [Board to Board & Mezzanine Connectors](#) category:*

*Click to view products by [TE Connectivity](#) manufacturer:*

Other Similar products are found below :

[589158040000018](#) [MDF7C-18P-2.54DSA\(55\)](#) [FCN-230C068-11](#) [FCN-268F012-G/BD](#) [FCN-268F036-G/BD](#) [FCN-268M012-G/0D](#) [FCN-268M024-G/1D](#) [FCN-723J004/1](#) [MIS-048-01-F-D-DP-K](#) [832-10-034-10-001000](#) [FX4C-80S-1.27DSA](#) [FCN-214Q030-G/0](#) [FCN-234P048-G/0](#) [FCN-235D050-G/C](#) [210-93-314-41-105000](#) [2-22603-0](#) [MDF7-40DP-2.54DSA\(55\)](#) [AXG720047](#) [5031084030](#) [MIT-114-03-F-D-K](#) [55323-1519](#) [DF33-2P-3.3DSA\(24\)](#) [YFT-20-05-H-03-SB-K](#) [503308-3040](#) [026-6203-PDB](#) [027-6203-PDB](#) [069159702701000](#) [10123981-102LF](#) [101A10019X](#) [55650-0588-C](#) [68682-310LF](#) [68684-306](#) [75140-7012](#) [87471-650](#) [194261-1](#) [FCN-268F024-G0D](#) [10124054-515LF](#) [68685-603](#) [8-1616154-3](#) [MIS-019-01-F-D](#) [FCN-268M024-G/3D](#) [20021832-06016C1LF](#) [KX15-20KLDL-E1000E](#) [MDF7-16DP-2.54DSA\(55\)](#) [AXE810124](#) [FCN-214J100-G/0](#) [FCN-230C068-E/S](#) [AXE812124](#) [AXE816124](#) [AXE720127](#)