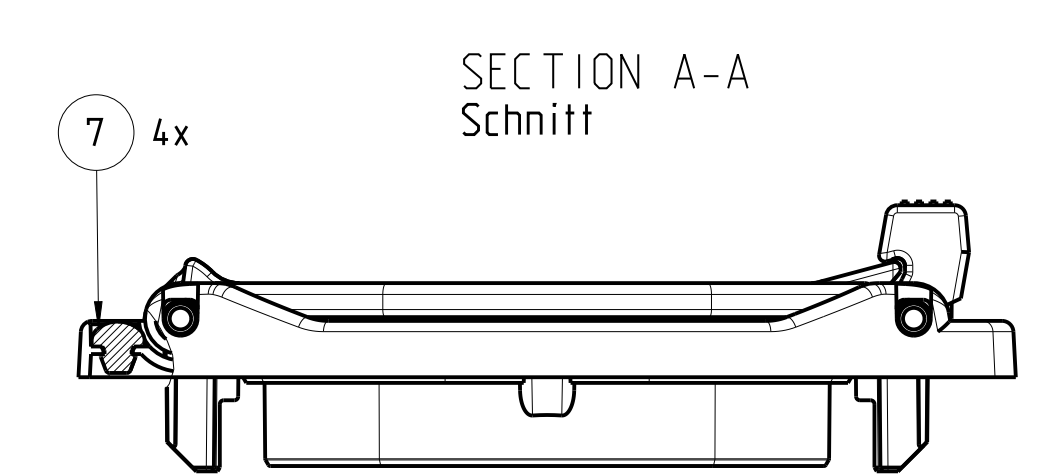
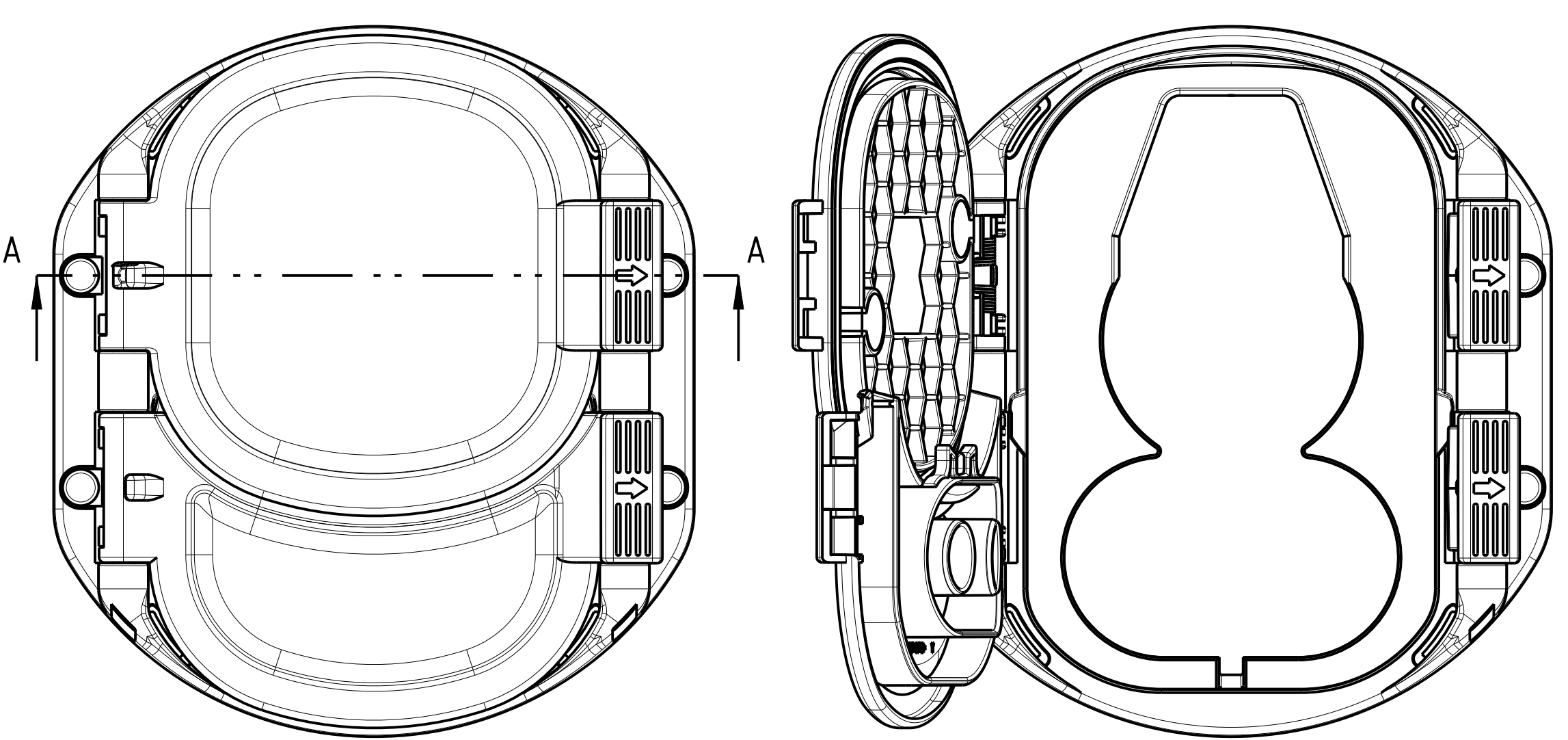


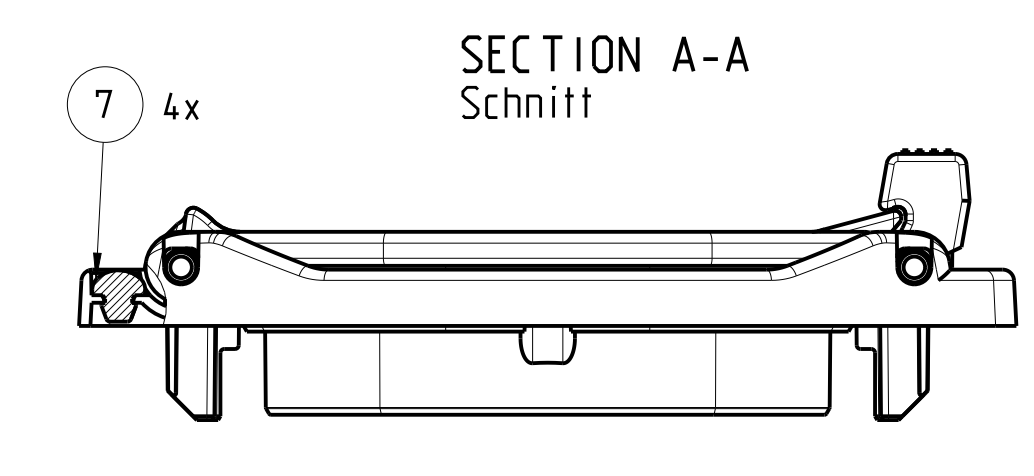
0-2358664-1  
CLOSED CONDITION



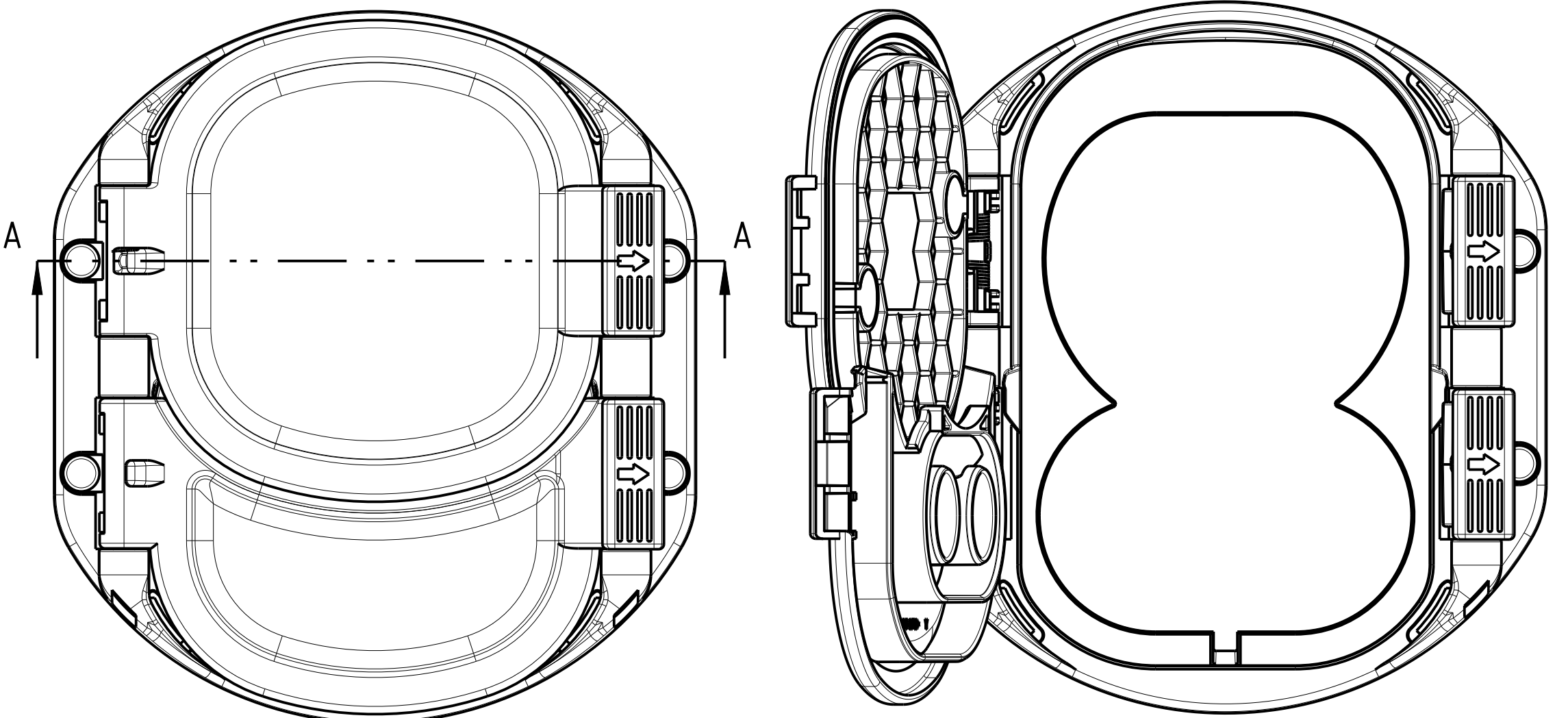
OPEN CONDITION



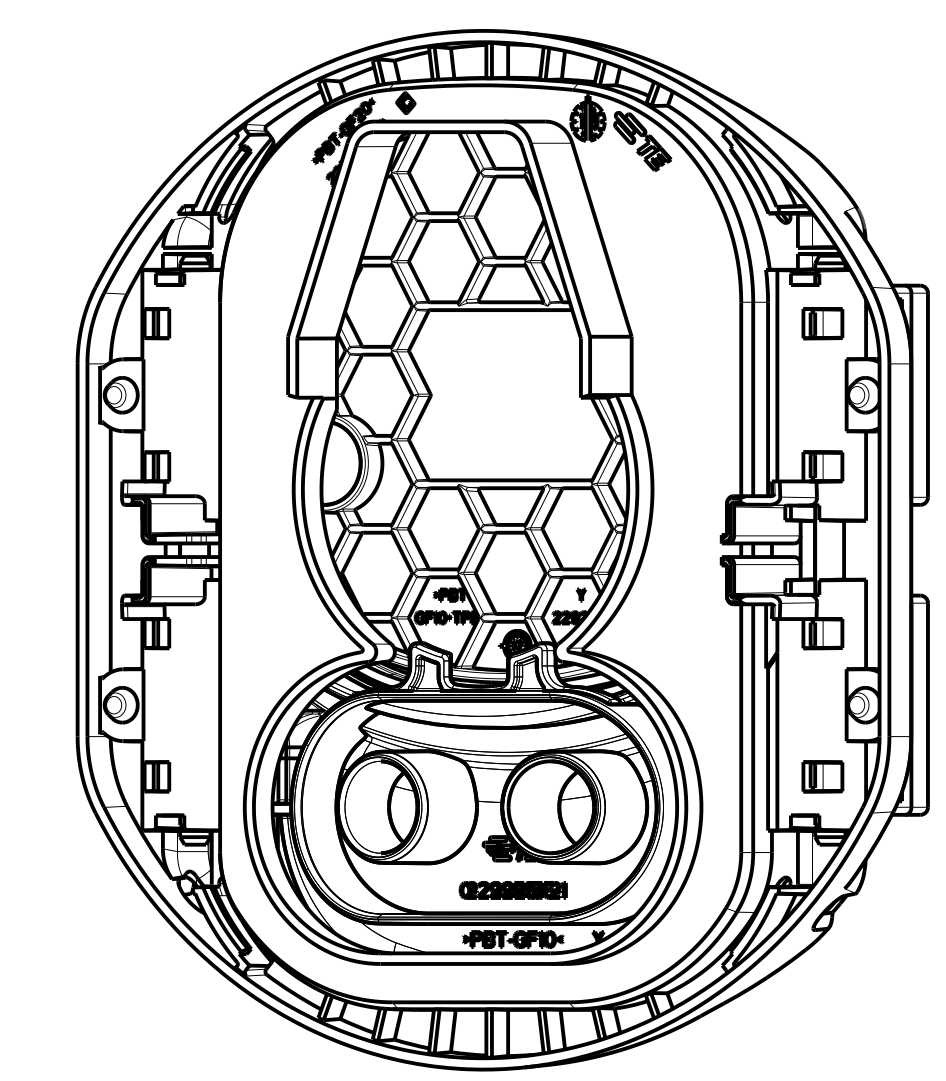
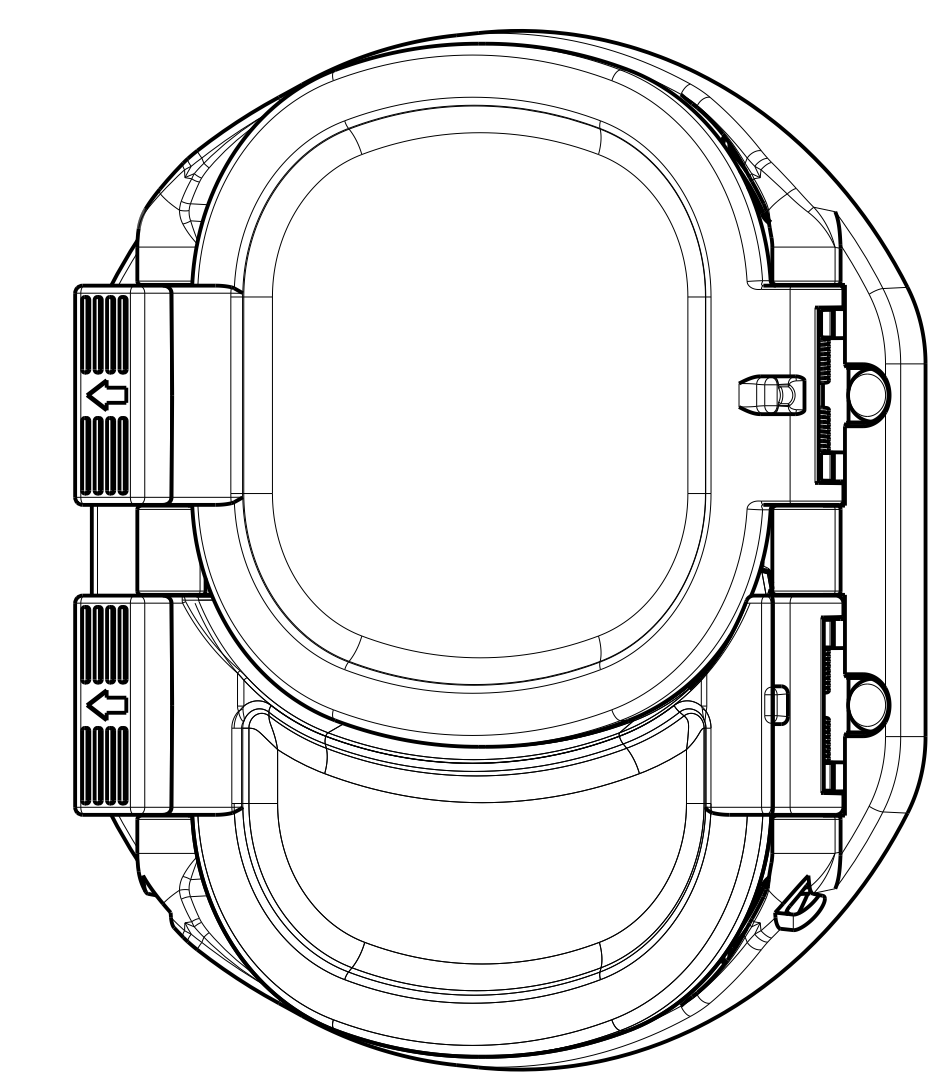
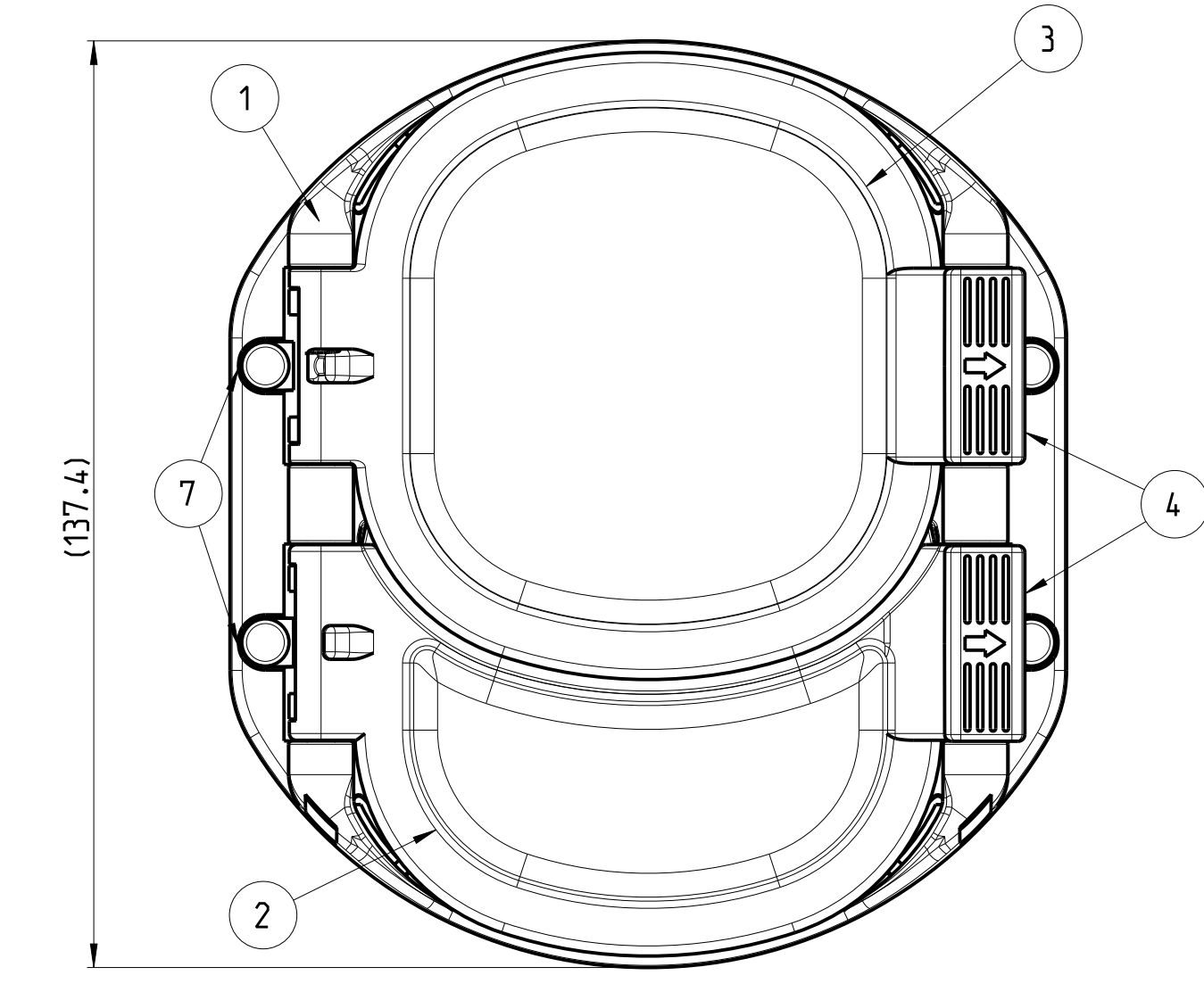
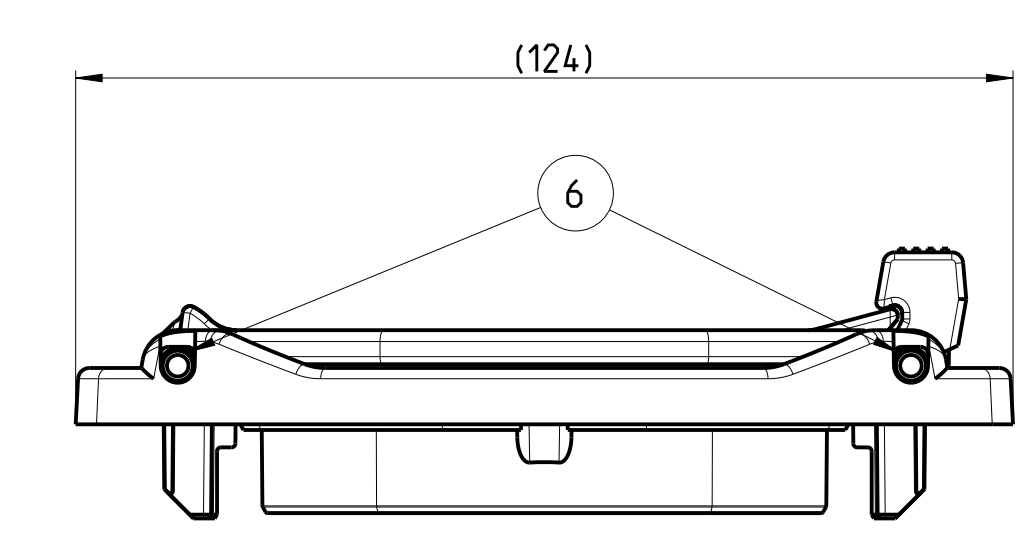
0-2358664-2  
CLOSED CONDITION



OPEN CONDITION



0-2358664-1  
AS SHOWN  
Wie gezeigt

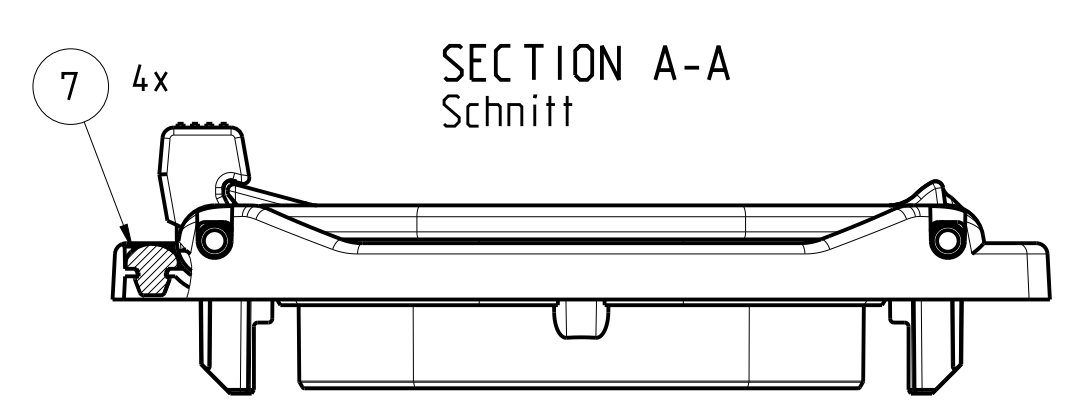


REVISIONS				
REV	DESCRIPTION	DATE	BY	APPV
B	NEW DRAWING	19MAY2020	US	BK
B1	ECR-21-003915	06APR2021	US	BK

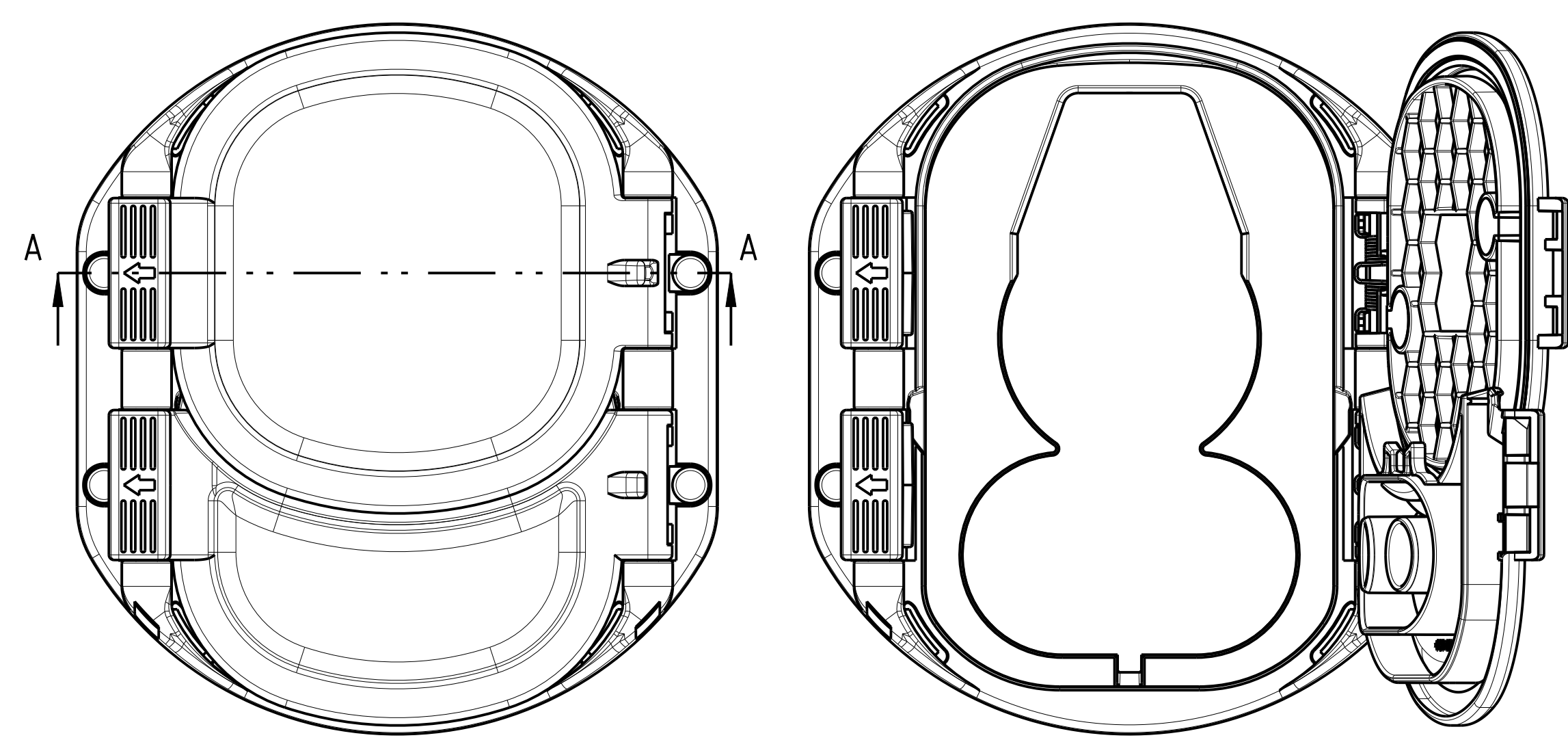
NOTES

- 1 FUNCTION OF BOTH FLAPS AND LEVERS HAS TO BE CHECKED BY OPENING AND CLOSING BY HAND
- 2 TRAY PACKAGING WITH PAPER CUSHION INSERT. EVERY PART IN SEPERATE PLASTIC BAG ACCORDING SPEC 107-18032
- 3 COMPATIBLE WITH INLET ASSY:  
CCS1: X-2366402-X  
CCS2: X-2377400-X

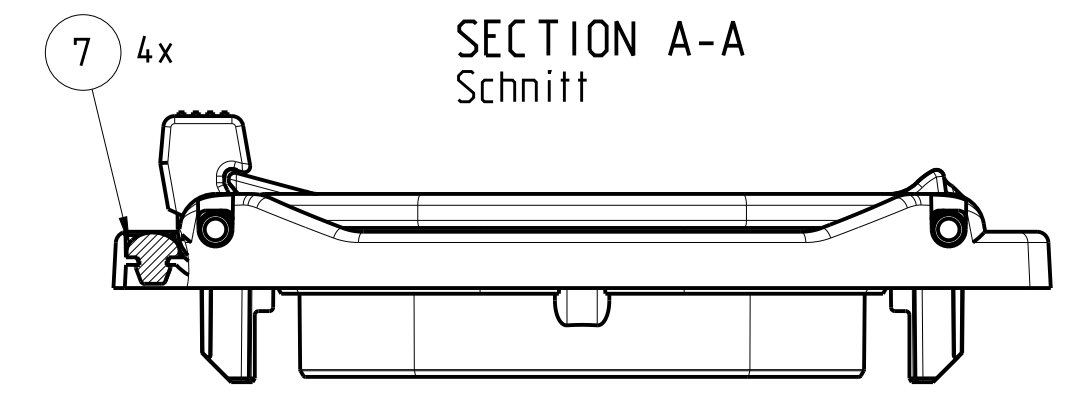
0-2358664-3  
CLOSED CONDITION



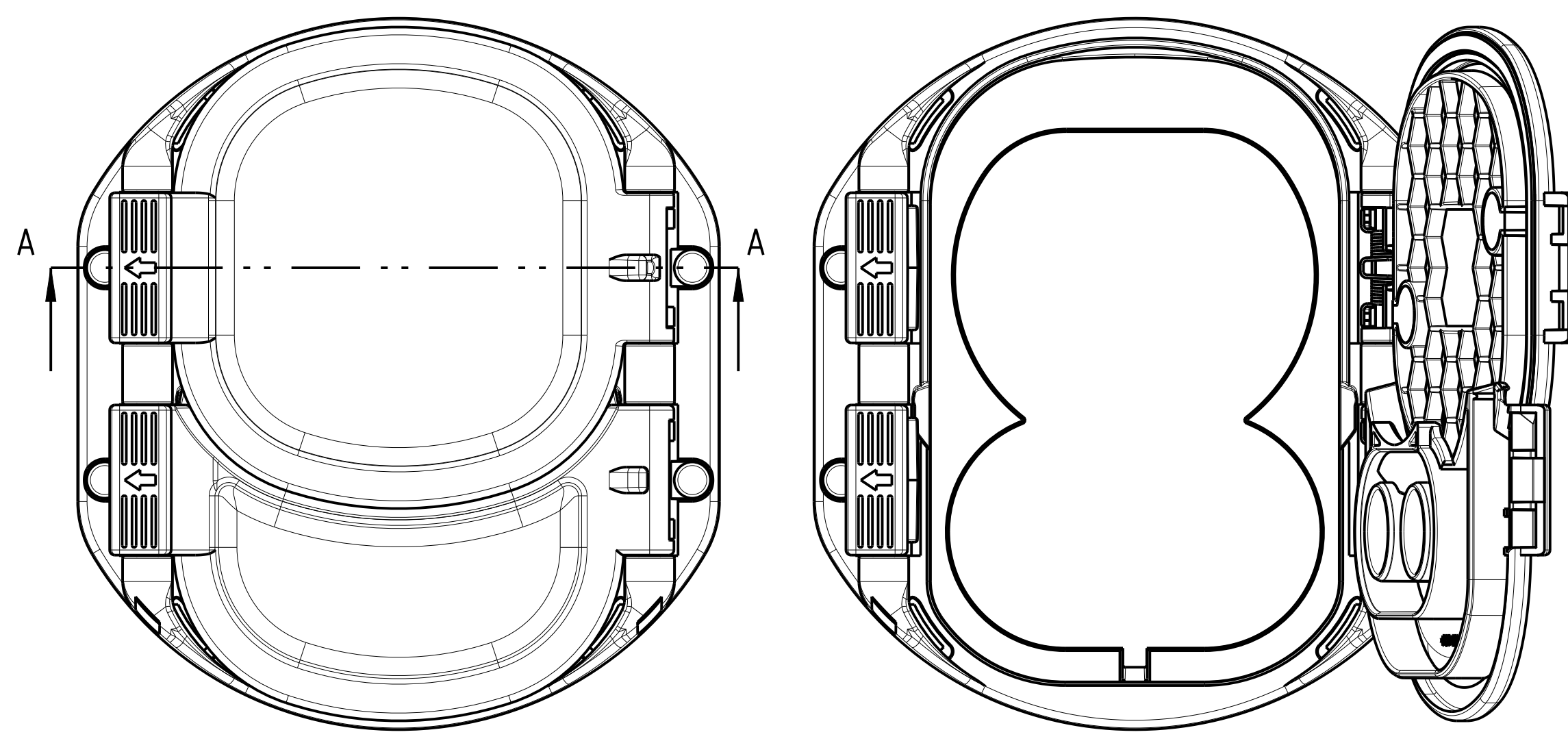
OPEN CONDITION



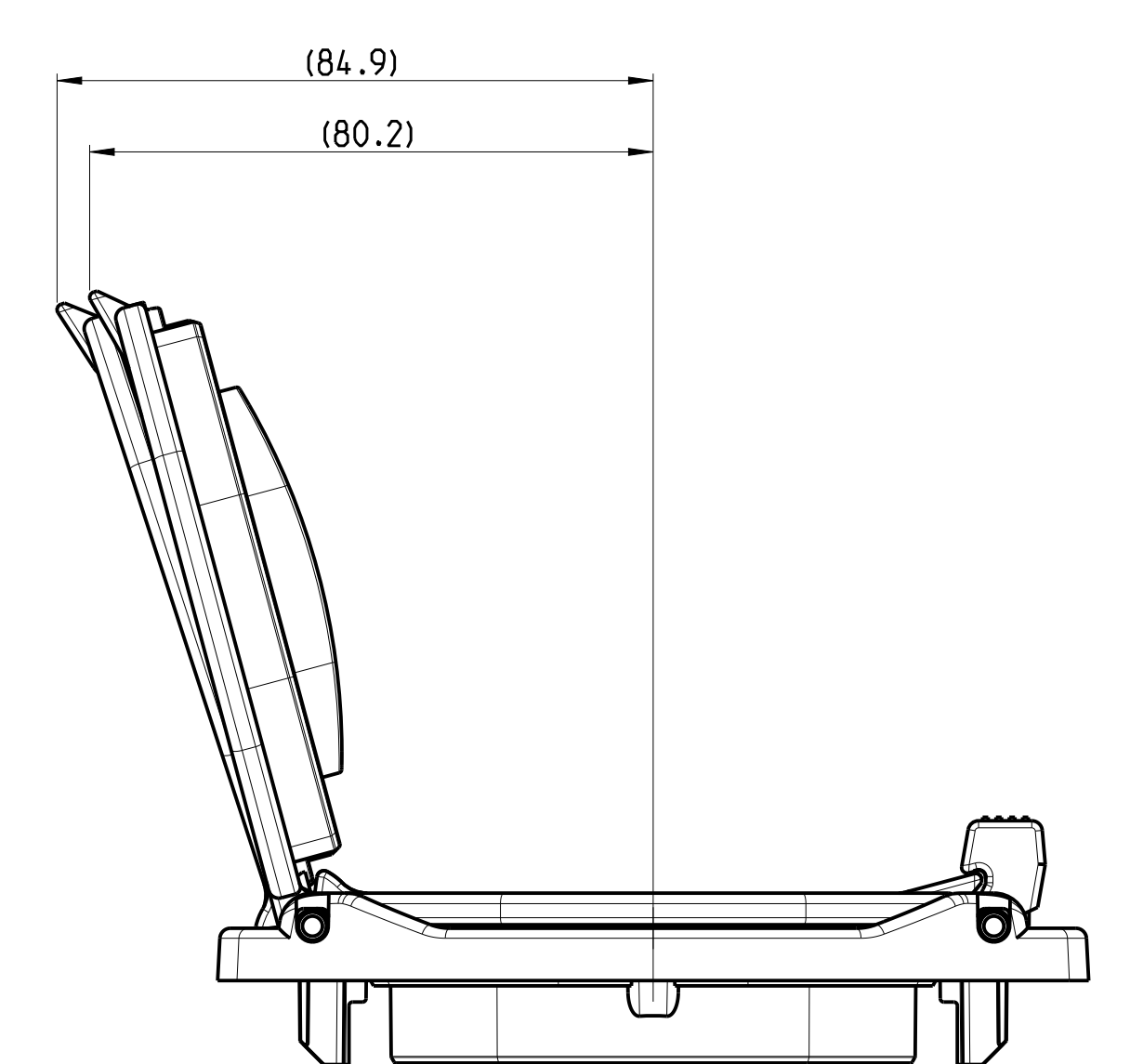
0-2358664-4  
CLOSED CONDITION



OPEN CONDITION



OPEN CONDITION  
AS SHOWN  
Offene Position  
Wie gezeigt



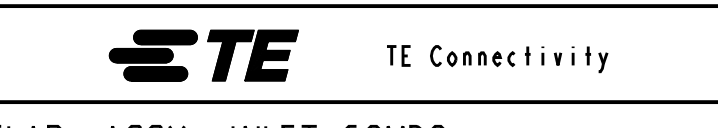
QTY REQD PER ASSY	QTY REQD PER ASSY	QTY REQD PER ASSY	QTY REQD PER ASSY	QTY REQD PER ASSY	QTY REQD PER ASSY	QTY REQD PER ASSY	PART TERM	REV	DESCRIPTION	WEIGHT (g)	COLOR	UTM	MT	
2	2	2	2	2	2	2	1-229251-1	B	INDICATOR CAP, PRINTED	0.22	WHITE/ TRANSPARENT	8		
4	4	4	4	4	4	4	2292523-1	B	GRIPMET, FLAP DAMPNER	0.19	BLACK	7		
2	2	2	2	2	2	2	2292516-2	A	BDL1, FLAP AXIS, LONG	7.66	-	6		
4	4	4	4	4	4	4	2292517-1	A	SPRING, TORSION	0.6	-	5		
2	2	2	2	2	2	2	2292518-1	B	LEVER, FLAP, COMBO	3.71	BLACK	4		
1	1	1	1	1	1	1	2292521-2	D	FLAP, TE, AC CHARGE INLET, SEALED	30.69	BLACK	3		
-	-	1	-	-	-	1	1-2292515-2	C	DC FLAP, COMBO2, LEFT	23.37	BLACK	-		
1	-	-	-	1	-	-	1-2292515-1	C	DC FLAP, COMBO2, RIGHT	23.37	BLACK	-		
-	-	-	1	-	-	1	2292515-2	C	DC FLAP, COMBO1, LEFT	22.81	BLACK	-		
-	1	-	-	-	1	-	2292515-1	C	DC FLAP, COMBO1, RIGHT	22.81	BLACK	-		
1	-	1	-	-	-	-	2358662-4	E	CARRIER, FLAP, CHARGE INLET, COMBO 2, LED	44.93	BLACK	-		
-	1	-	1	-	-	-	2358662-3	E	CARRIER, FLAP, CHARGE INLET, COMBO 1, LED	44.62	BLACK	-		
-	-	-	-	1	-	1	2358662-2	E	CARRIER, FLAP, CHARGE INLET, COMBO 2	44.94	BLACK	-		
-	-	-	-	-	1	-	2358662-1	E	CARRIER, FLAP, CHARGE INLET, COMBO 1	46.23	BLACK	-		
0....8	0....7	0....6	0....5	0....4	0....3	0....2	0....1							
B	B	B	B	B	B	B	B							
122	126	122	126	122	126	122	126							
REVISION OF EACH ASSY NO WHEN BLANK, USE DWG REVISIONS										WEIGHT OF EACH ASSY NO (g)				
PARTS LIST														

DIMENSION AND TOLERANCES ACCORDING TO:  
BEMAßUNGEN UND TOLERANZEN GEMÄSS:  
DIN EN ISO 2768 MTS

THIS DRAWING IS A CONTROLLED DOCUMENT.  
DIMENSIONING AND TOLERANCING PER GPS ISO STANDARDS.

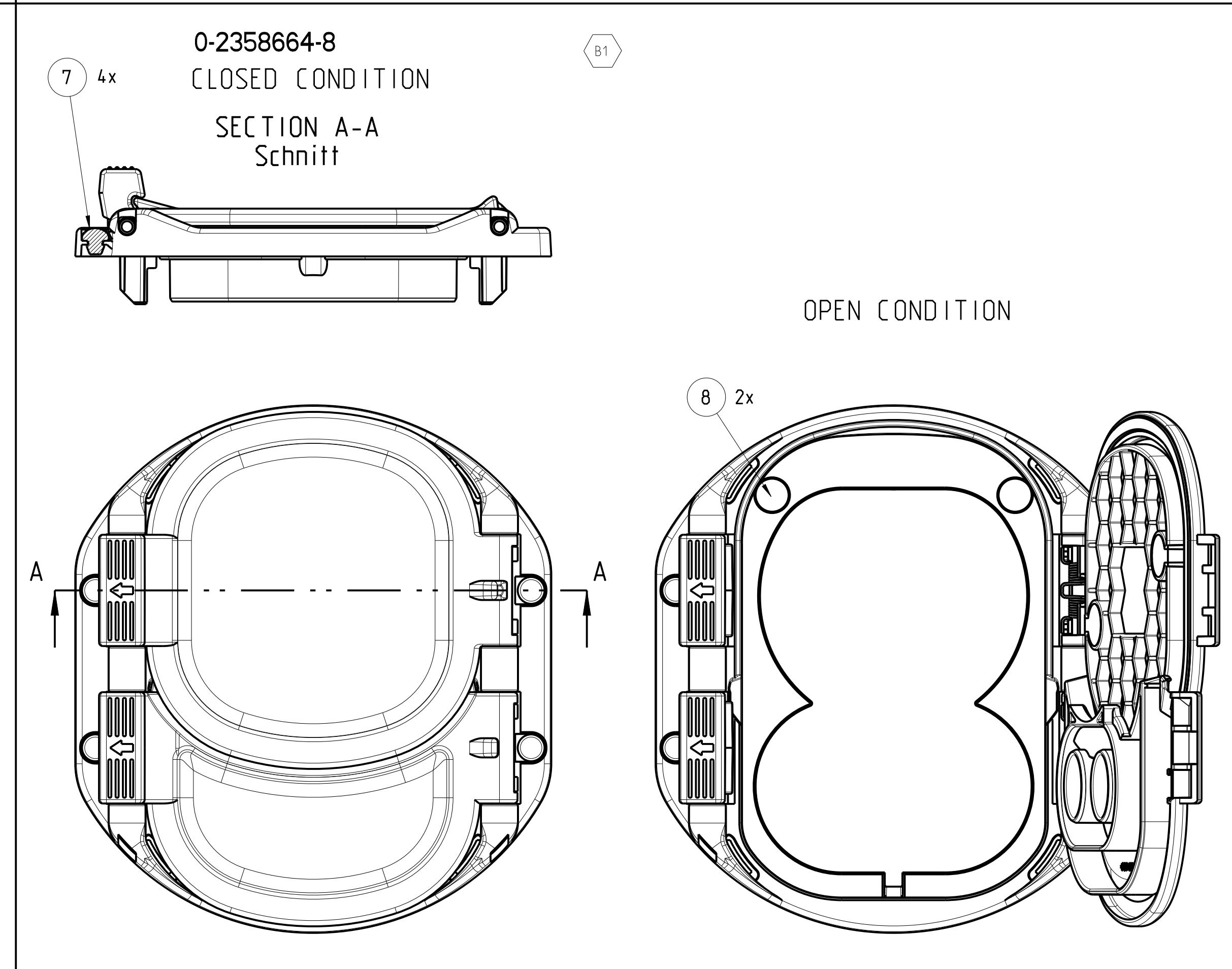
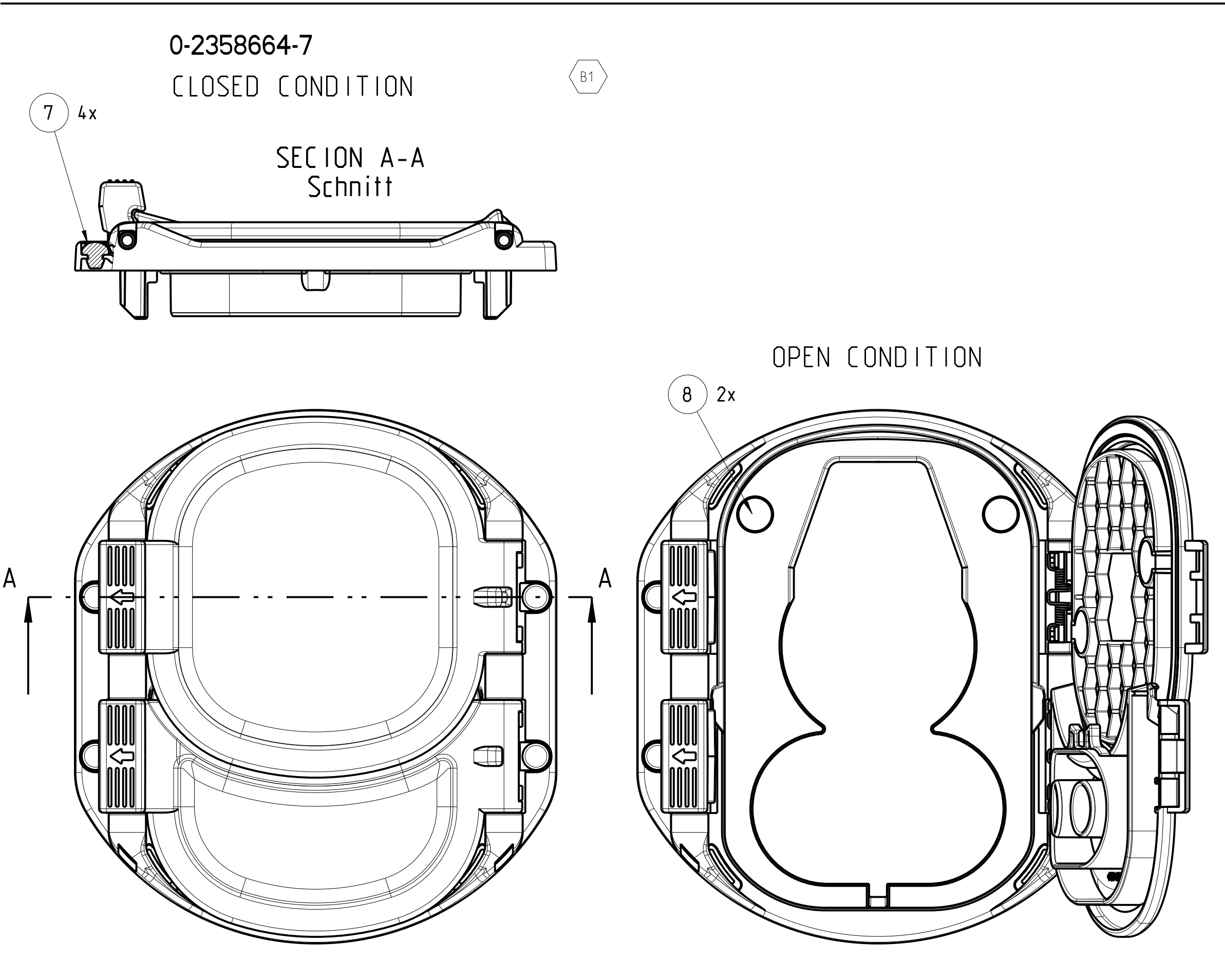
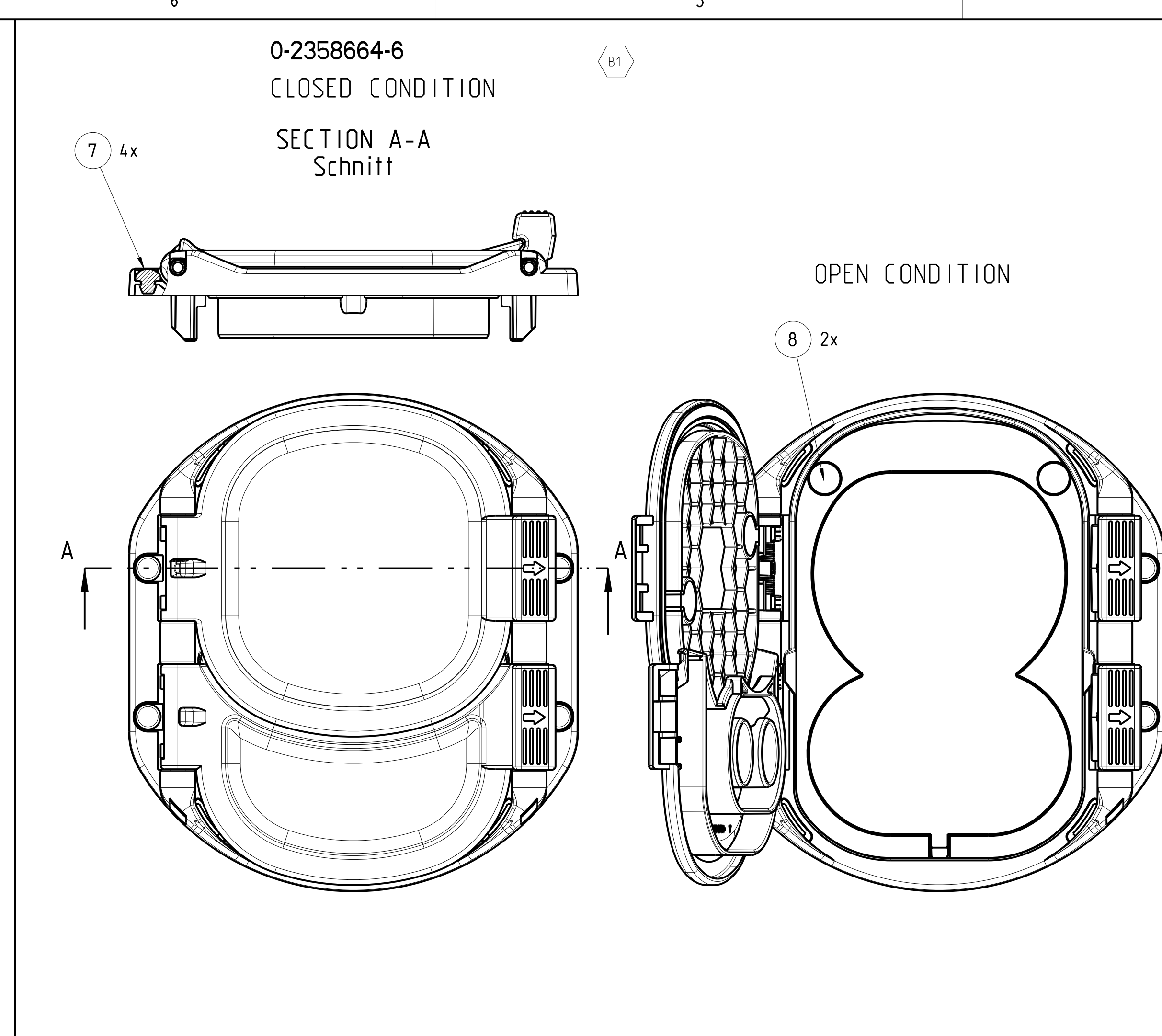
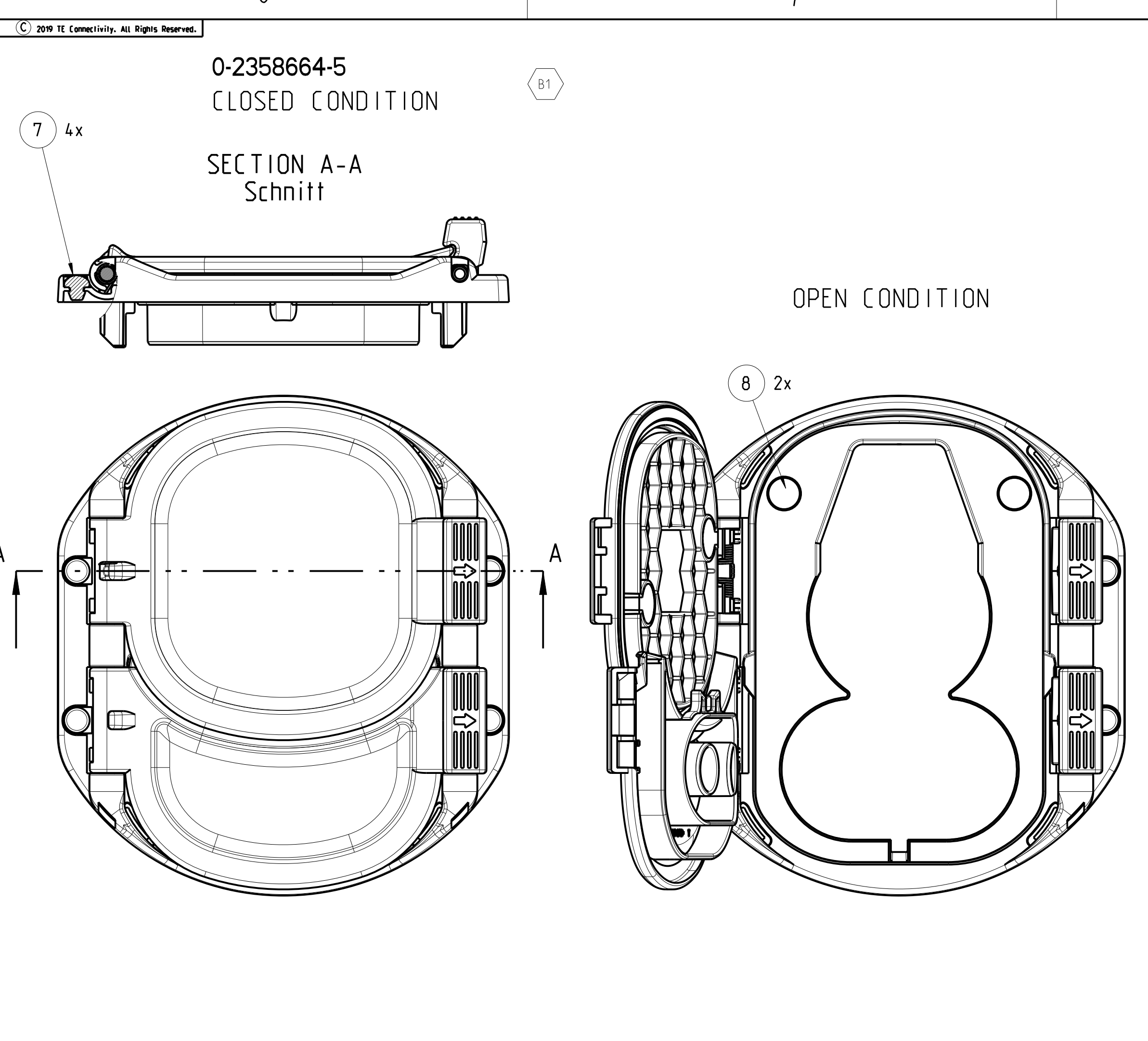
APPROVED FOR RELEASE

DATE: 26 JUN 2019  
APPV: J. KOESTER



FLAP, ASSY, INLET COMBO  
A0 00779 0-2358664

RESTRICTED TO HQ AND



REVISIONS				
NO.	DATE	DESCRIPTION	BY	APPV.
1		SEE SHEET 1		

THIS DRAWING IS A CONTROLLED DOCUMENT.

DATE: 26 JUN 2019  
 DRAWN BY: SHWETA KULGARNI  
 CHECKED BY: S. KOSCH  
 APPROVED BY: J. KOESTER

0-2358664-5  
 0-2358664-6  
 0-2358664-7  
 0-2358664-8

PROJECT SPEC: INLET COMBO  
 APPLICATION SPEC: VERMINTUNGSPRZ.  
 VERMINTUNGSPRZ.: SEE TABLE

MATERIAL: SEE TABLE  
 FINISH: SEE TABLE  
 FINISH SPEC: siehe Tabelle

SCALE: 1:1  
 SHEET: 2  
 OF: 2

RESTRICTED TO: SEE TABLE  
 RESTRICTED CUSTOMER

NAME: FLAP, ASSY, INLET COMBO  
 SITE: A0  
 CASE CODE: 00779  
 DRAWING NO: 0-2358664

DATE: 26 JUN 2019  
 DRAWN BY: SHWETA KULGARNI  
 CHECKED BY: S. KOSCH  
 APPROVED BY: J. KOESTER

SCALE: 1:1  
 SHEET: 2  
 OF: 2

RESTRICTED TO: SEE TABLE  
 RESTRICTED CUSTOMER

## X-ON Electronics

Largest Supplier of Electrical and Electronic Components

*Click to view similar products for [Automotive Connectors](#) category:*

*Click to view products by [TE Connectivity](#) manufacturer:*

Other Similar products are found below :

[003-018-000](#) [60993906-B](#) [M902-2131](#) [M902-2161](#) [M902-2344](#) [72.330.1035.1](#) [73.353.4028.0](#) [F166900](#) [F358300-B](#) [F407400](#) [776880-1](#)  
[827153-1](#) [8N1515-32-24P](#) [9-1326729-8](#) [925474-1](#) [928905-1](#) [964562-4](#) [968782-1](#) [98891-1012](#) [12004475-L](#) [12020308](#) [12041318-B](#)  
[12052466](#) [12059716](#) [12064869](#) [12015909](#) [1-21030-1](#) [12041254](#) [12041318](#) [12047946-B](#) [12110546-B](#) [12131792](#) [12084688](#) [12092346](#)  
[HD34-18-14PT](#) [HD46-24-23SN-059](#) [HDB36-24-16PN-059](#) [HDP26-24-9SE-L015](#) [12185280](#) [12185550](#) [12336-12](#) [12191172-B](#) [12S](#)  
[13545280](#) [13577943](#) [13681974](#) [13737722-B](#) [13830674](#) [13832576](#) [13849772](#)