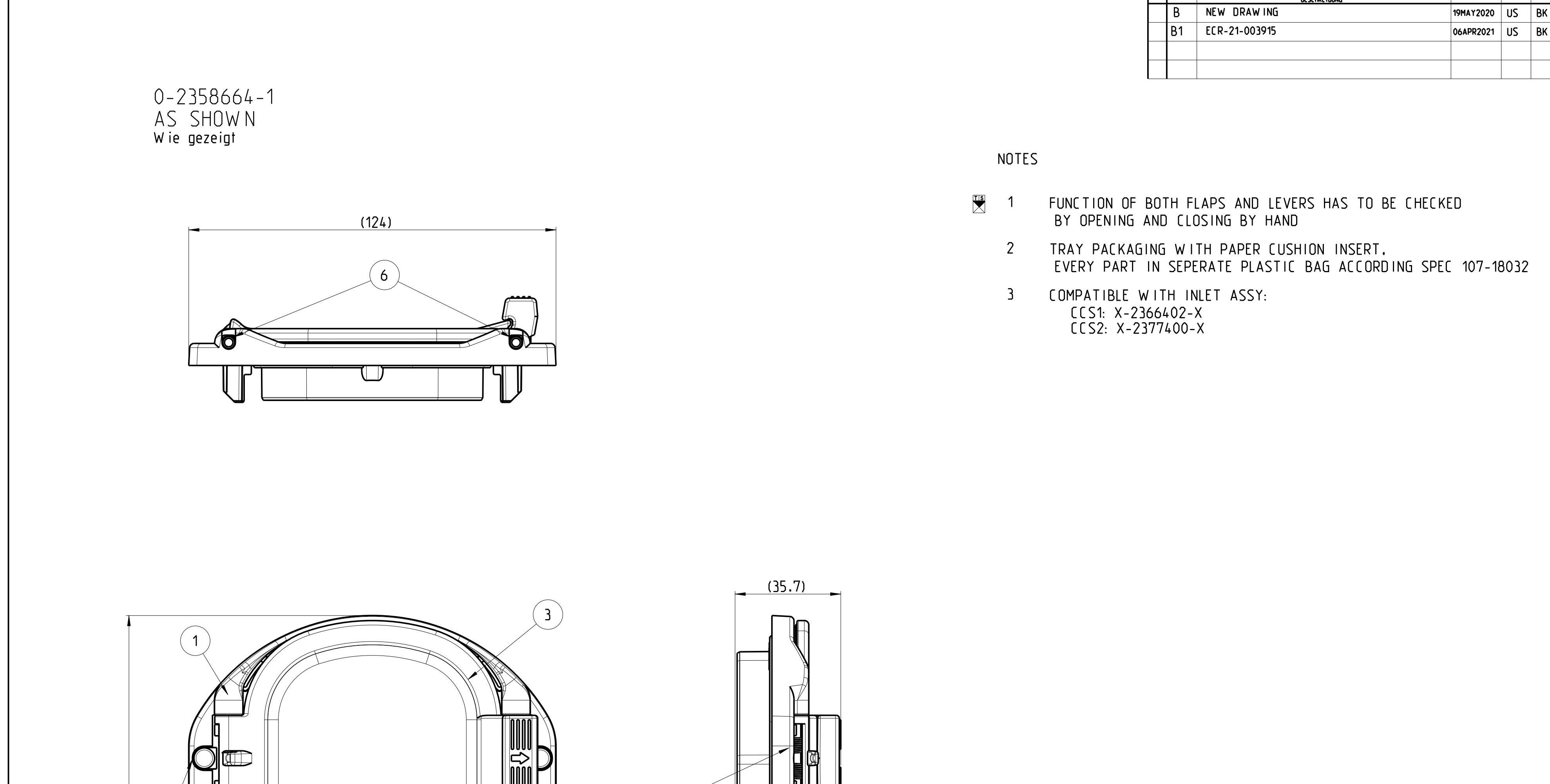
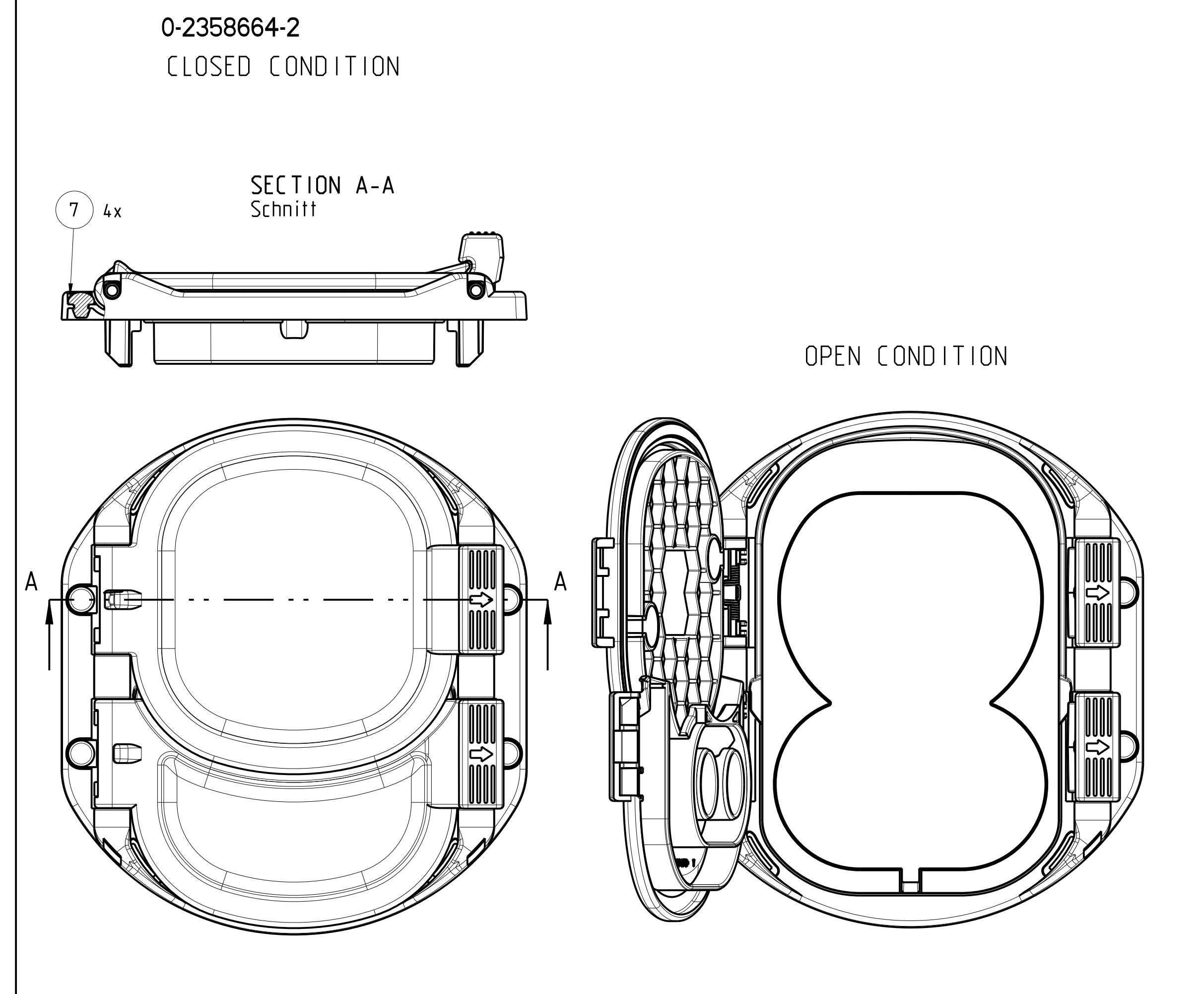
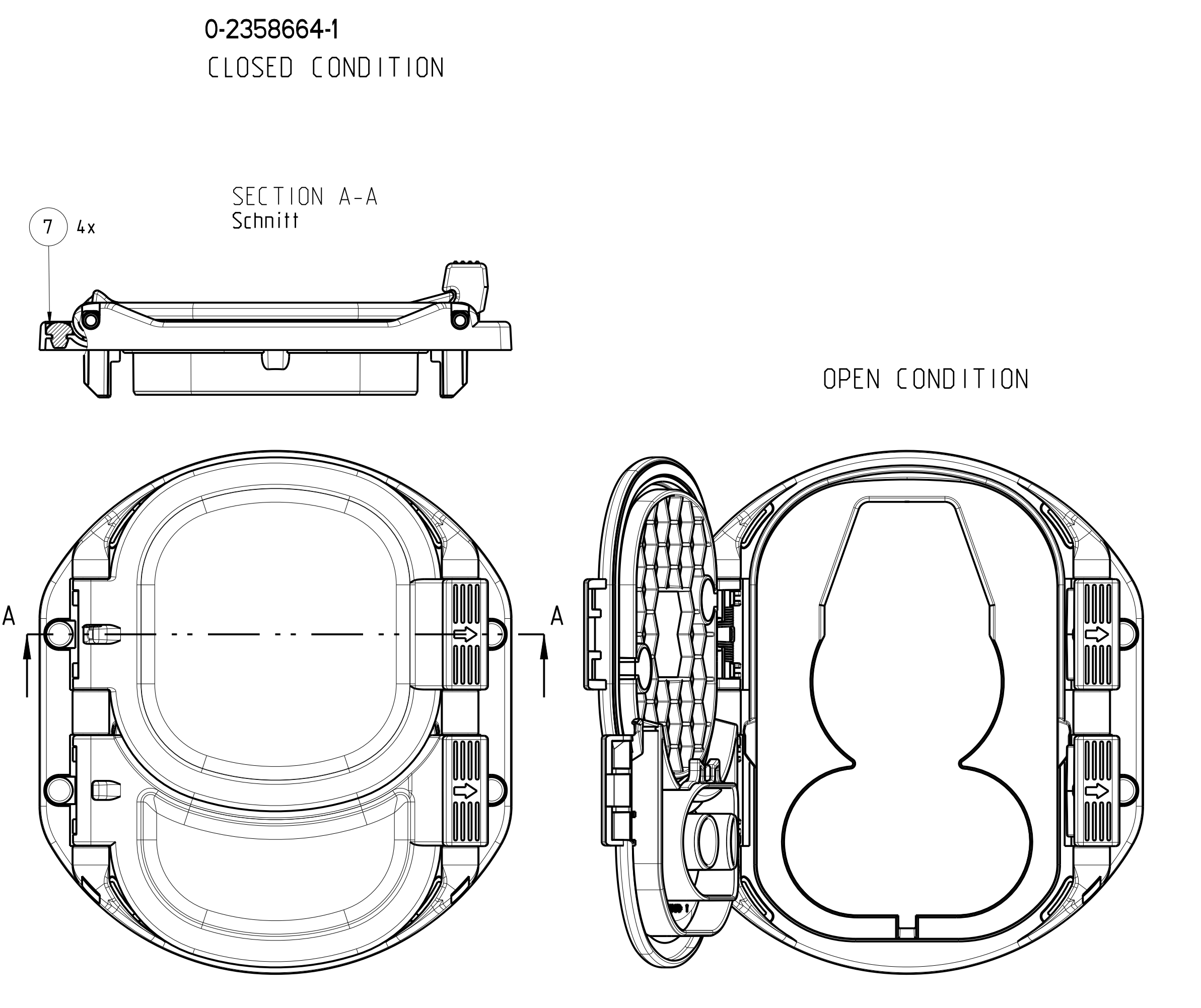
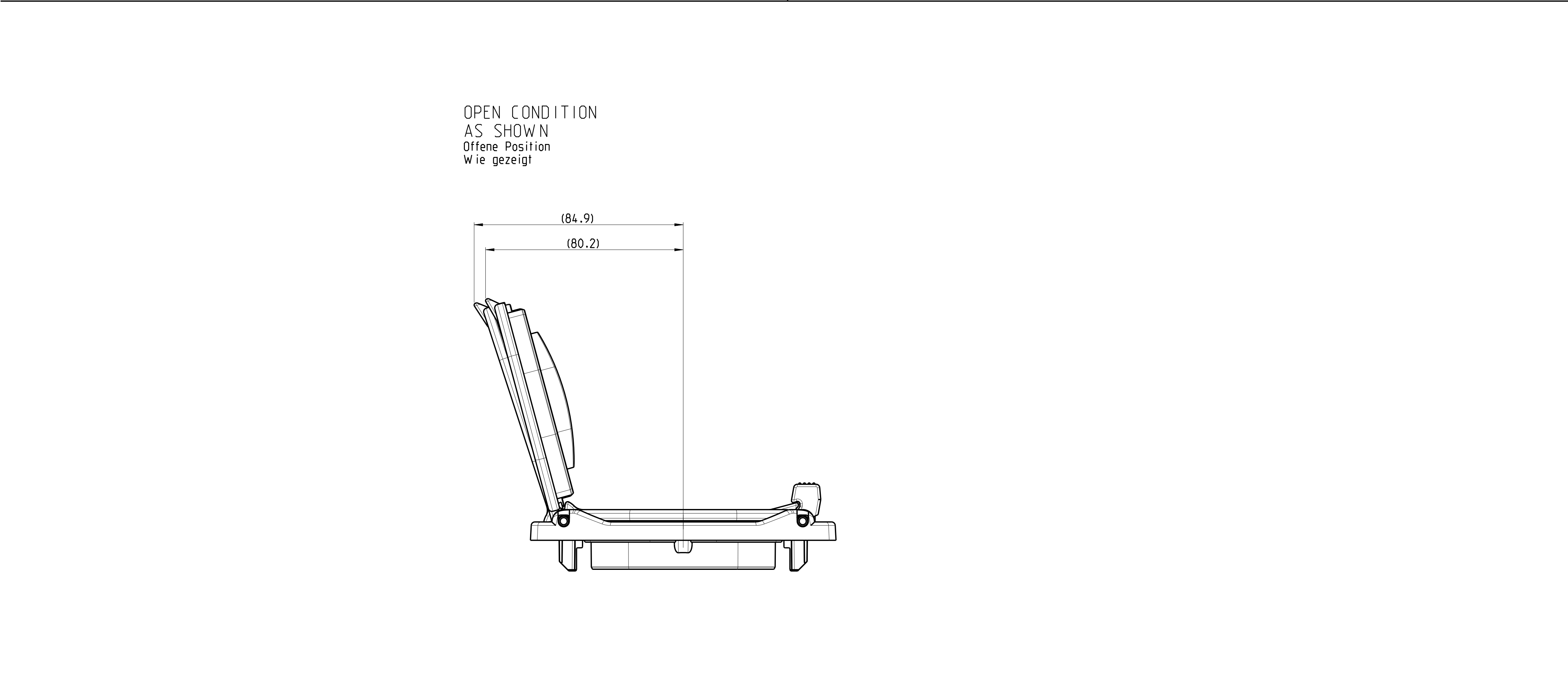
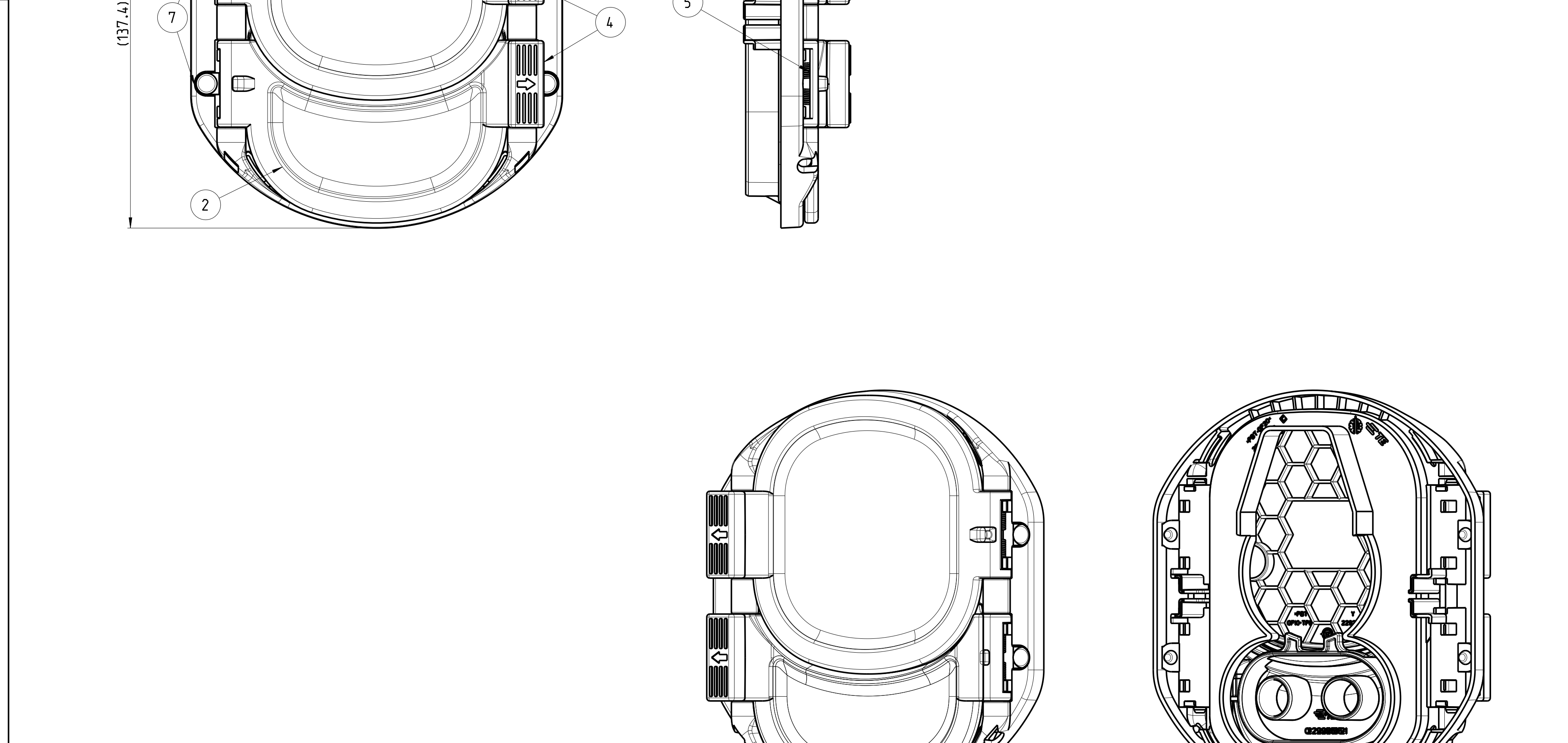
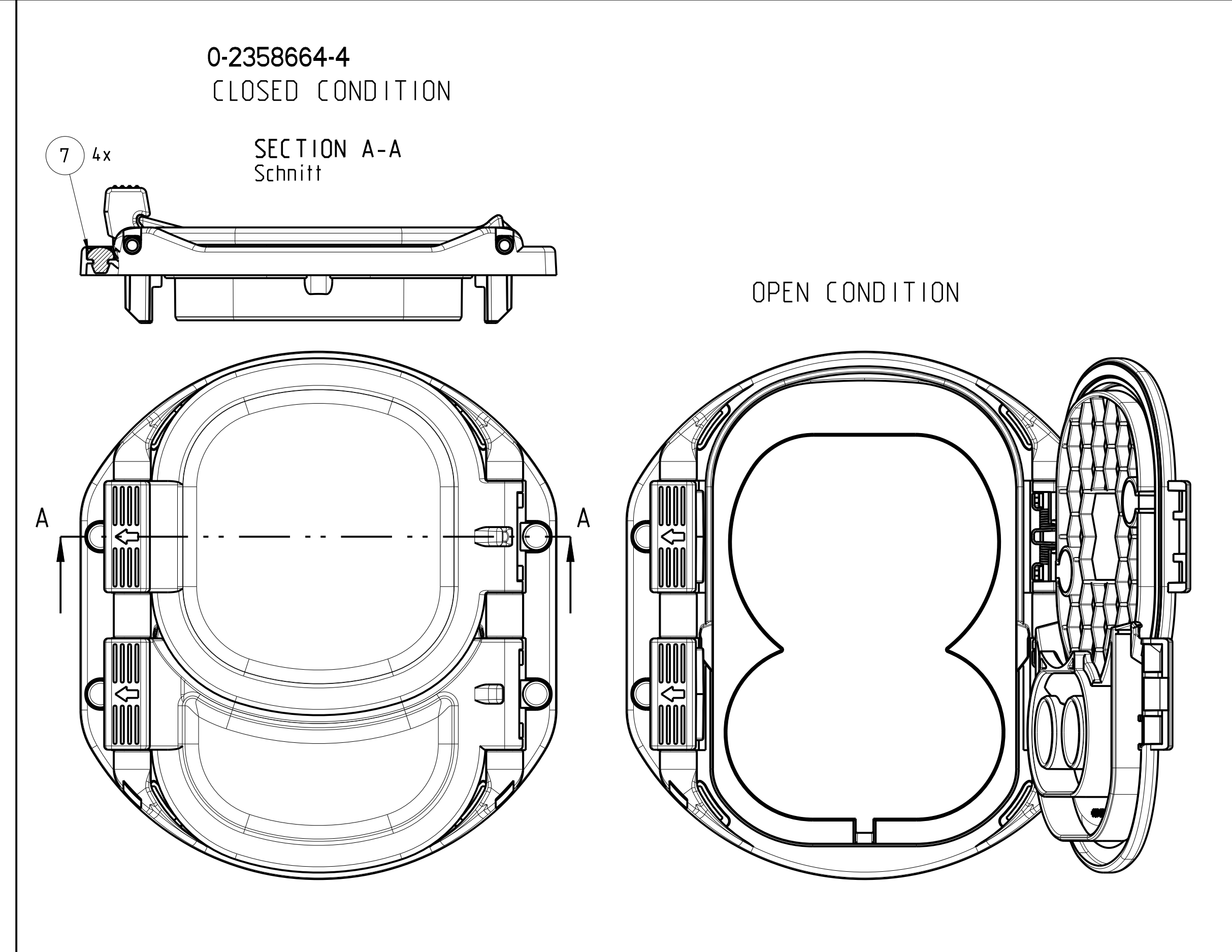
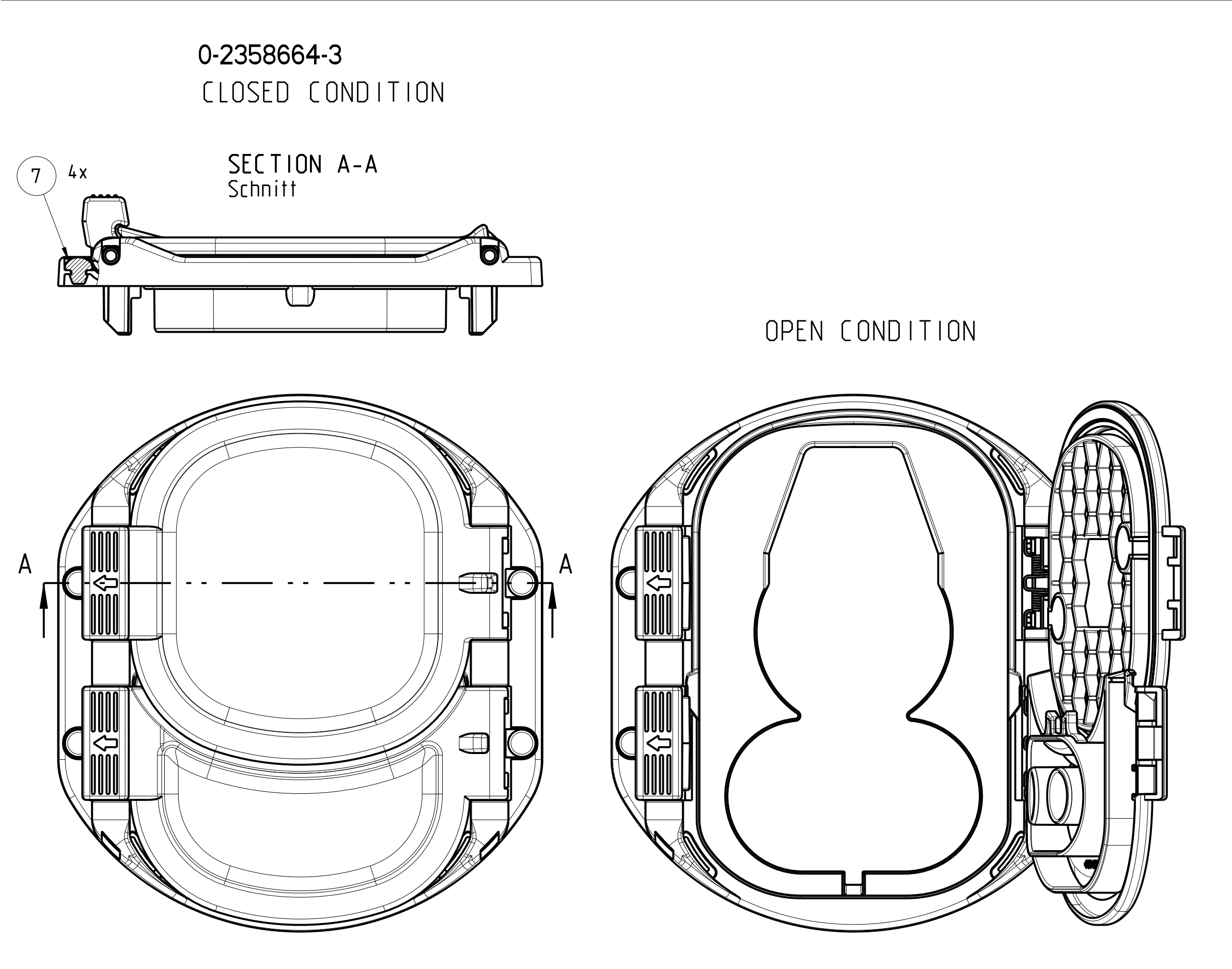


REVOLUTIONS		DATE	BY	APPV
NO.	DESCRIPTION			
B	NEW DRAWING	19MAY2020	US	BK
B1	ECR-21-003915	06APR2021	US	BK



- NOTES
- 1 FUNCTION OF BOTH FLAPS AND LEVERS HAS TO BE CHECKED BY OPENING AND CLOSING BY HAND
 - 2 TRAY PACKAGING WITH PAPER CUSHION INSERT. EVERY PART IN SEPERATE PLASTIC BAG ACCORDING SPEC 107-18032
 - 3 COMPATIBLE WITH INLET ASSY:
CCS1: X-2366402-X
CCS2: X-2377400-X



QTY	REV	DESCRIPTION	WEIGHT (g)	COLOR	REF	MT
2	2	2	-	-	-	-
4	4	4	4	4	4	4
2	2	2	2	2	2	2
4	4	4	4	4	4	4
2	2	2	2	2	2	2
1	1	1	1	1	1	1
-	-	-	-	-	-	-
1	-	-	1	-	-	-
-	-	-	1	-	-	-
-	1	-	-	1	-	-
-	1	-	-	-	-	-
-	1	1	-	-	-	-
-	-	-	1	-	-	-
-	-	-	1	-	-	-
-	-	-	1	-	-	-
0	0	0	0	0	0	0
122	126	122	126	122	126	126

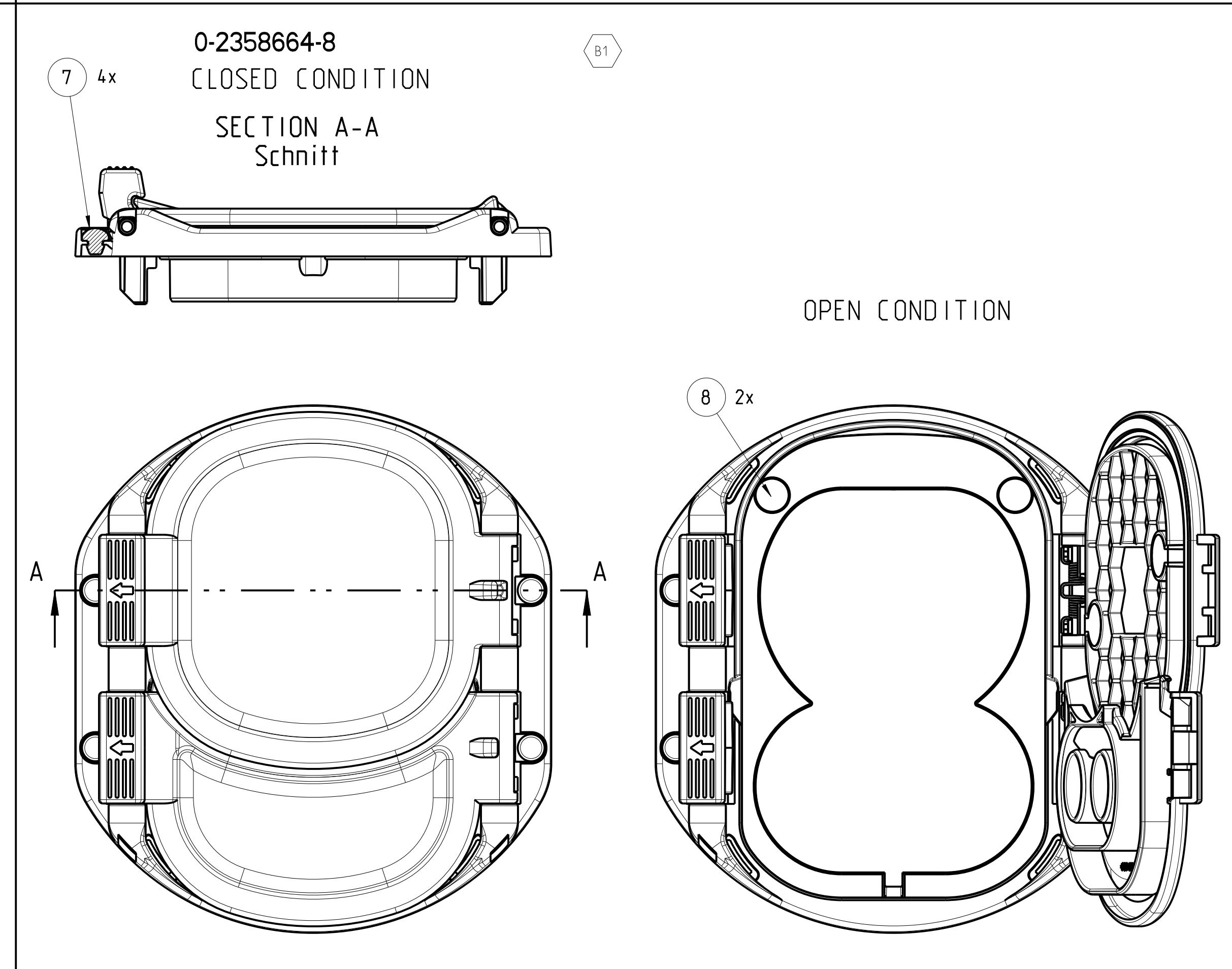
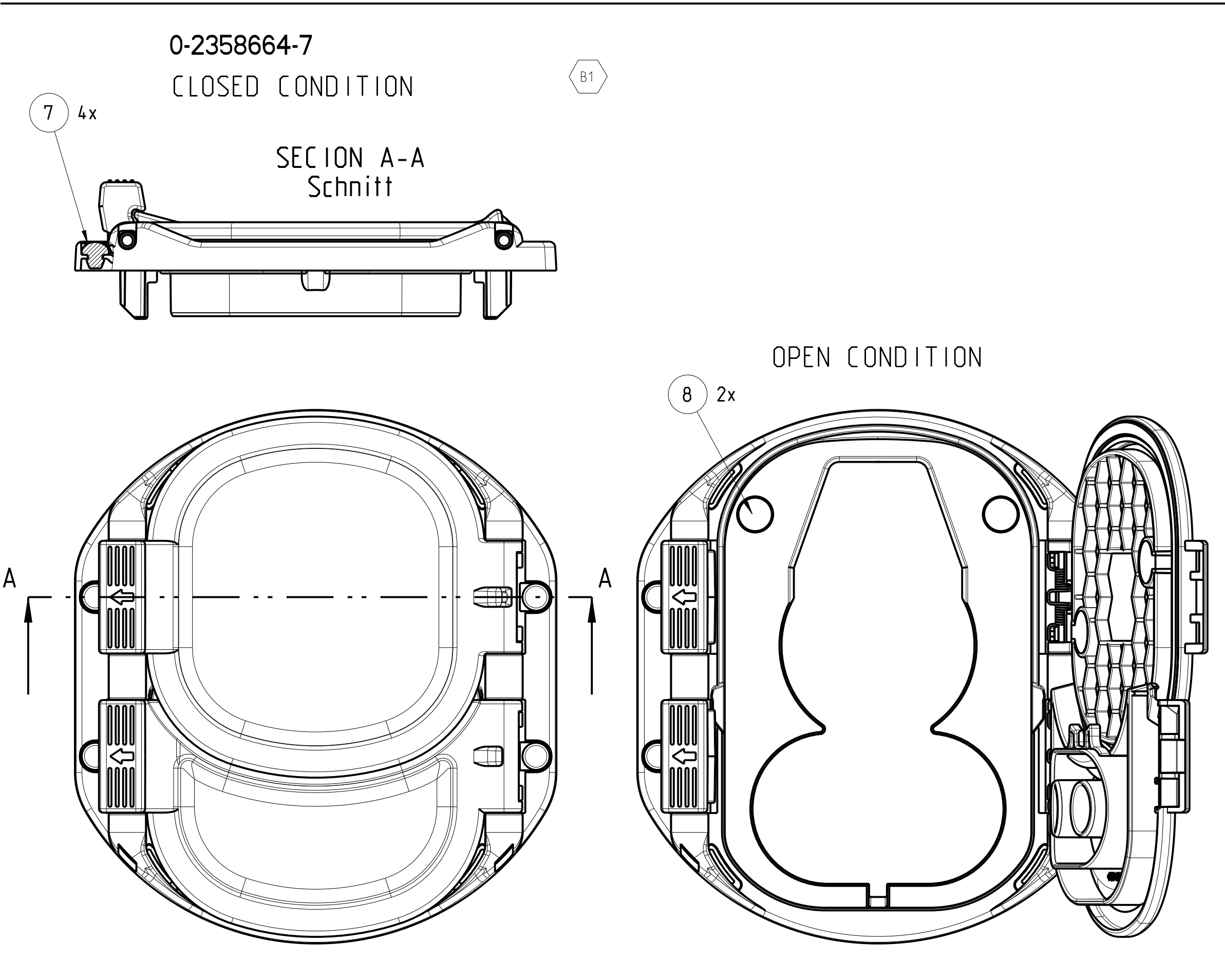
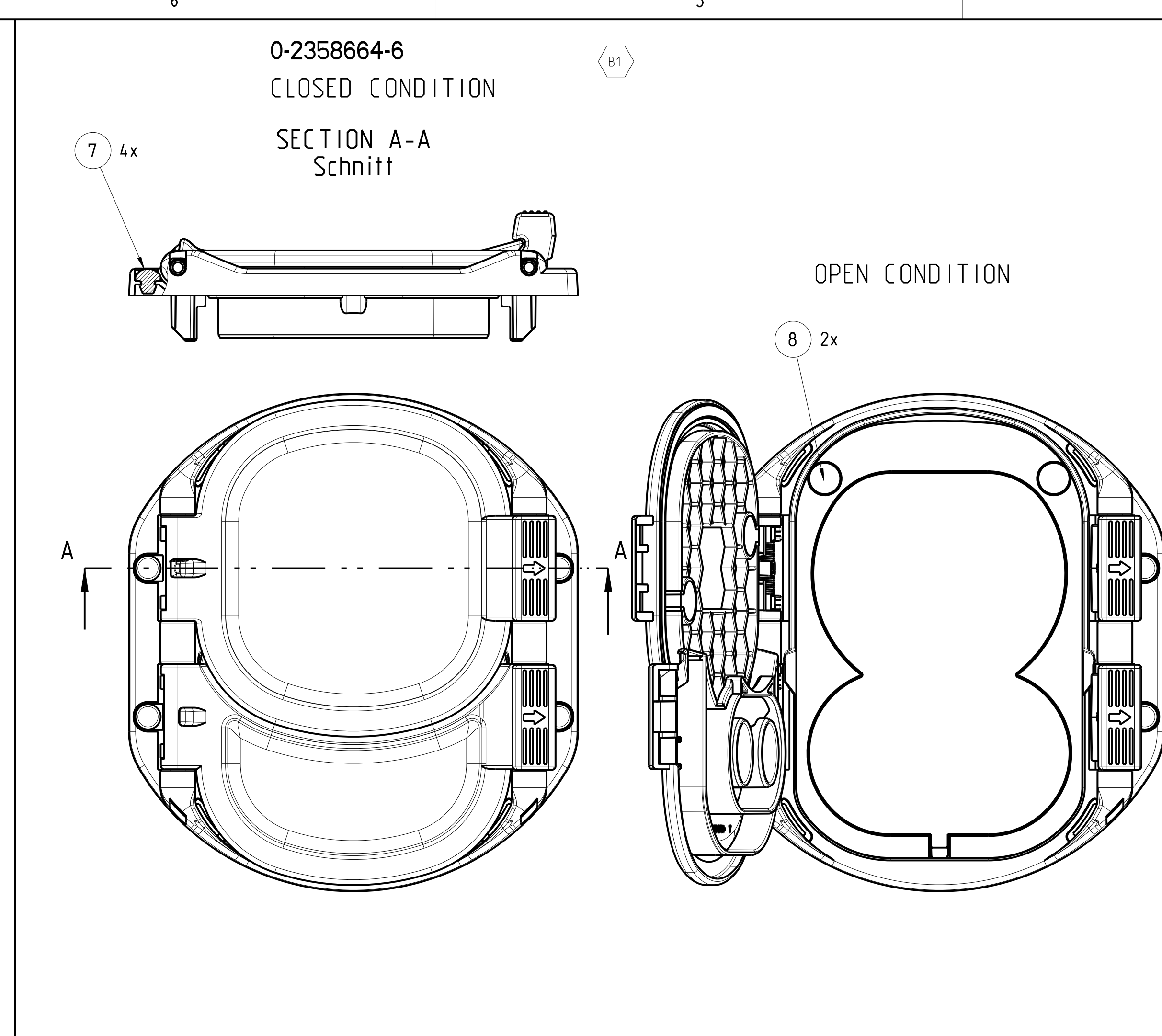
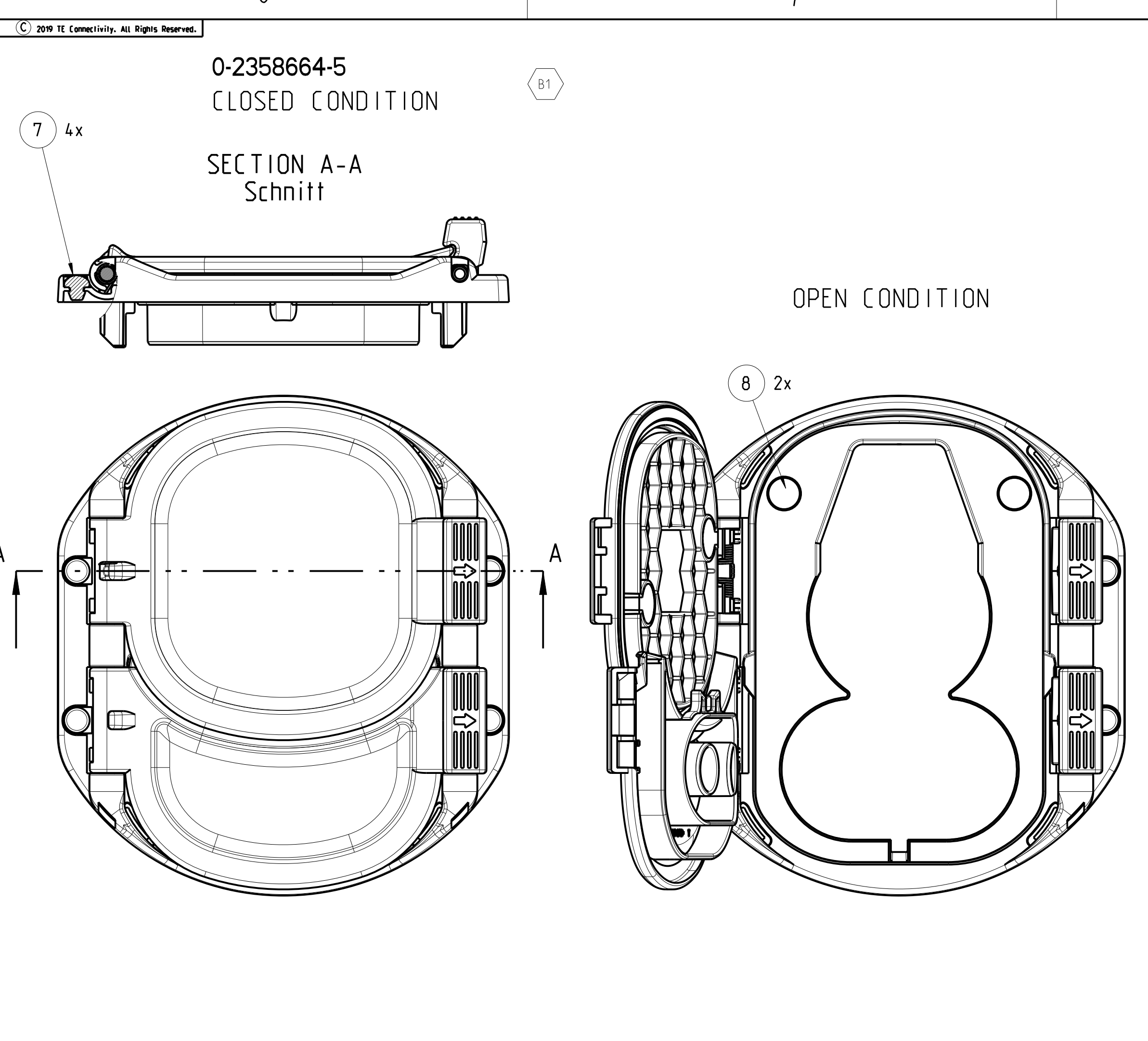
DIMENSION AND TOLERANCES ACCORDING TO:
BEMAUSGABE UND TOLERANZEN GEMÄSS:
DIN 1872
TOLERANCE GROUP: T65
TOLERANZGRUPPE: T65
DIN EN ISO 8015 (M3) - DIN EN ISO 291
DIN EN ISO 14185-1/-2/-3

DIESE ZEICHNUNG IST EIN KONTROLLIERTES DOKUMENT.
BEMASSUNGEN UND TOLERANZEN GEMÄSS: GPS (ISO STANDARDS).
THIS DRAWING IS A CONTROLLED DOCUMENT.
DIMENSIONING AND TOLERANCING PER GPS (ISO STANDARDS).

DATE: 26 JUN 2019
APPV: J. KOSCHER
PROJECT SPEC: 000779

TE Connectivity
FLAP, ASSY, INLET COMBO

SCALE: 1:1
SHEET: 1 OF 2
REV: B1



REVISIONS				
NO.	DATE	DESCRIPTION	BY	APPV.
1		SEE SHEET 1		

THIS DRAWING IS A CONTROLLED DOCUMENT.		DATE: 26 JUN 2019	DESIGNER: SHWETA KUMAR	SCALE: 1:1
DRAWING NO: 0-2358664-5		DATE: 26 JUN 2019	CHK: S. KOSCH	SCALE: 1:1
REV: 1		DATE: 26 JUN 2019	APPV: J. KOESTER	SCALE: 1:1
MATERIAL: SEE TABLE		FINISH: SEE TABLE	REVISIONS: SEE TABLE	SCALE: 1:1
MATERIAL: siehe Tabelle		FINISH: siehe Tabelle	REVISIONS: siehe Tabelle	SCALE: 1:1
SITE: A0		CASE CODE: 00779	DRAWING NO: 0-2358664	RESTRICTED TO: SEE TABLE
KUNDENZEICHNUNG: 00779		SCALE: 1:1	SHEET: 2	REV: B1

X-ON Electronics

Largest Supplier of Electrical and Electronic Components

Click to view similar products for [Automotive Connectors](#) category:

Click to view products by [TE Connectivity](#) manufacturer:

Other Similar products are found below :

[003-018-000](#) [60993906-B](#) [M902-2131](#) [M902-2161](#) [M902-2344](#) [72.330.1035.1](#) [73.353.4028.0](#) [F166900](#) [F358300-B](#) [F407400](#) [776880-1](#)
[827153-1](#) [8N1515-32-24P](#) [9-1326729-8](#) [925474-1](#) [928905-1](#) [964562-4](#) [968782-1](#) [98891-1012](#) [12004475-L](#) [12020308](#) [12041318-B](#)
[12052466](#) [12059716](#) [12064869](#) [12015909](#) [1-21030-1](#) [12041254](#) [12041318](#) [12047946-B](#) [12110546-B](#) [12131792](#) [12084688](#) [12092346](#)
[HD34-18-14PT](#) [HD46-24-23SN-059](#) [HDB36-24-16PN-059](#) [HDP26-24-9SE-L015](#) [12185280](#) [12185550](#) [12336-12](#) [12191172-B](#) [12S](#)
[13545280](#) [13577943](#) [13681974](#) [13737722-B](#) [13830674](#) [13832576](#) [13849772](#)