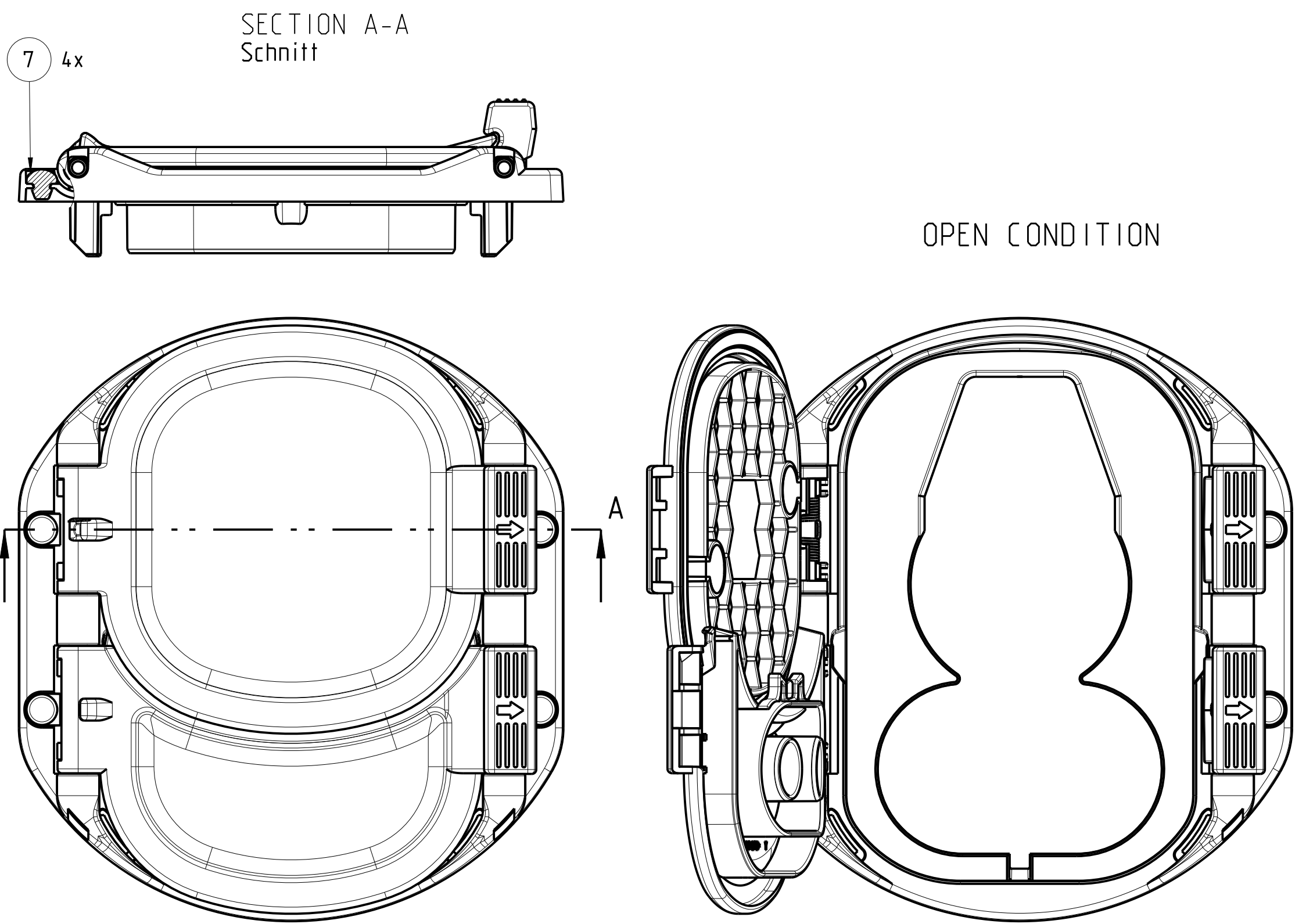
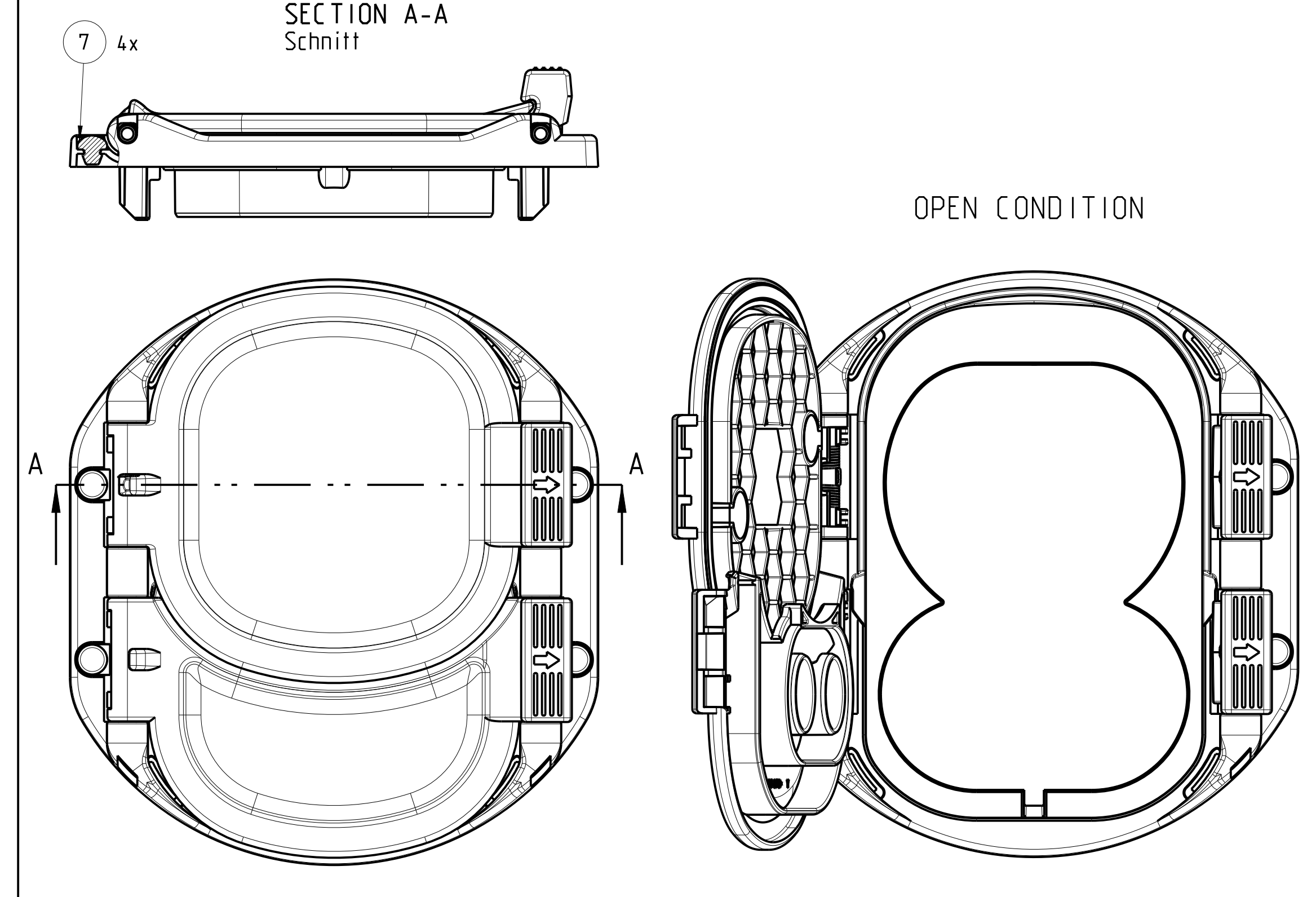


REVISIONS				
NO.	DESCRIPTION	DATE	DWN	APPV
B	NEW DRAWING	19MAY2020	US	BK
B1	ECR-21-003915	06APR2021	US	BK

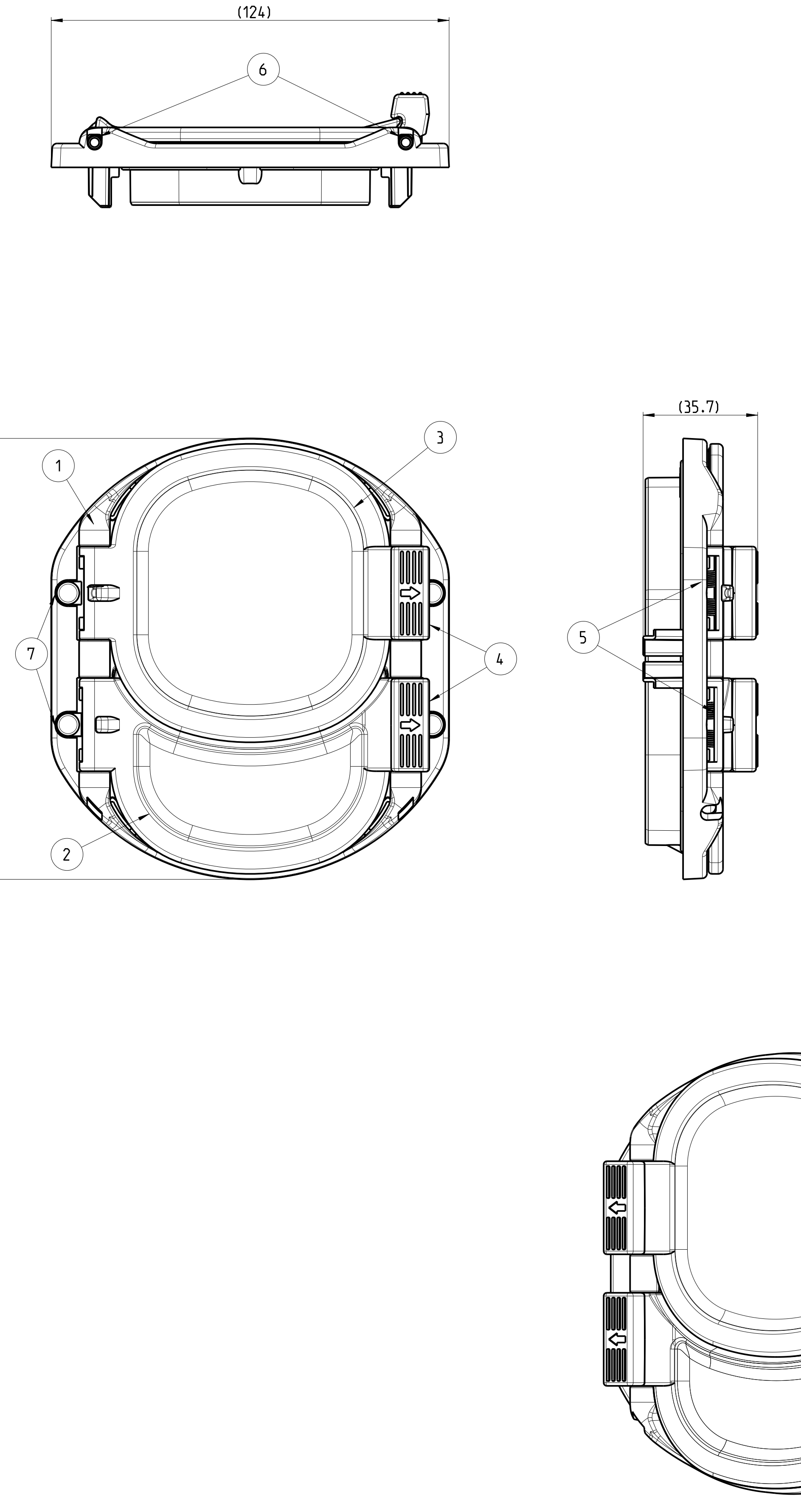
0-2358664-1  
CLOSED CONDITION



0-2358664-2  
CLOSED CONDITION



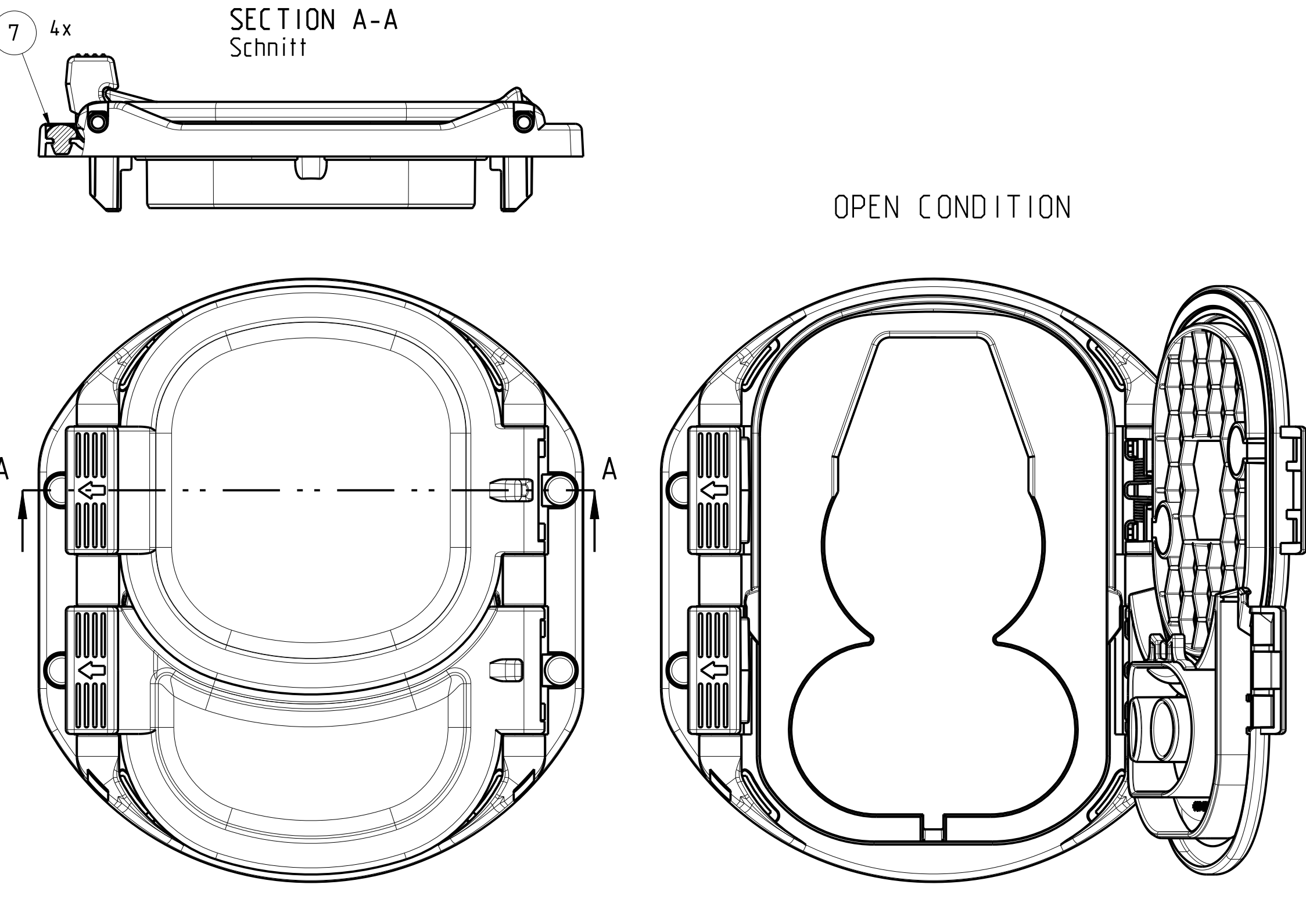
0-2358664-1  
AS SHOWN  
Wie gezeigt



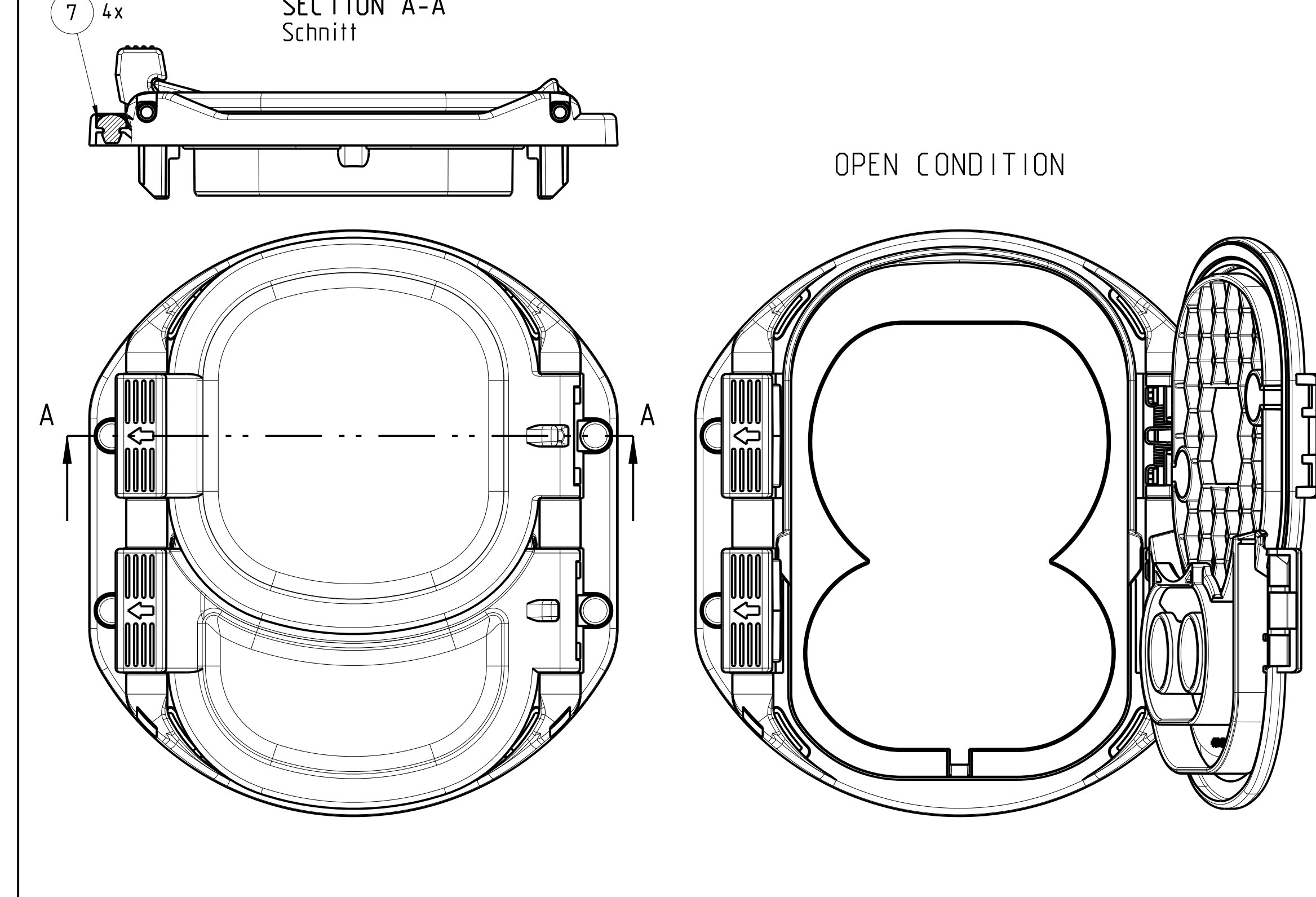
NOTES

- 1 FUNCTION OF BOTH FLAPS AND LEVERS HAS TO BE CHECKED BY OPENING AND CLOSING BY HAND
- 2 TRAY PACKAGING WITH PAPER CUSHION INSERT. EVERY PART IN SEPERATE PLASTIC BAG ACCORDING SPEC 107-18032
- 3 COMPATIBLE WITH INLET ASSY:  
CCS1: X-2366402-X  
CCS2: X-2377400-X

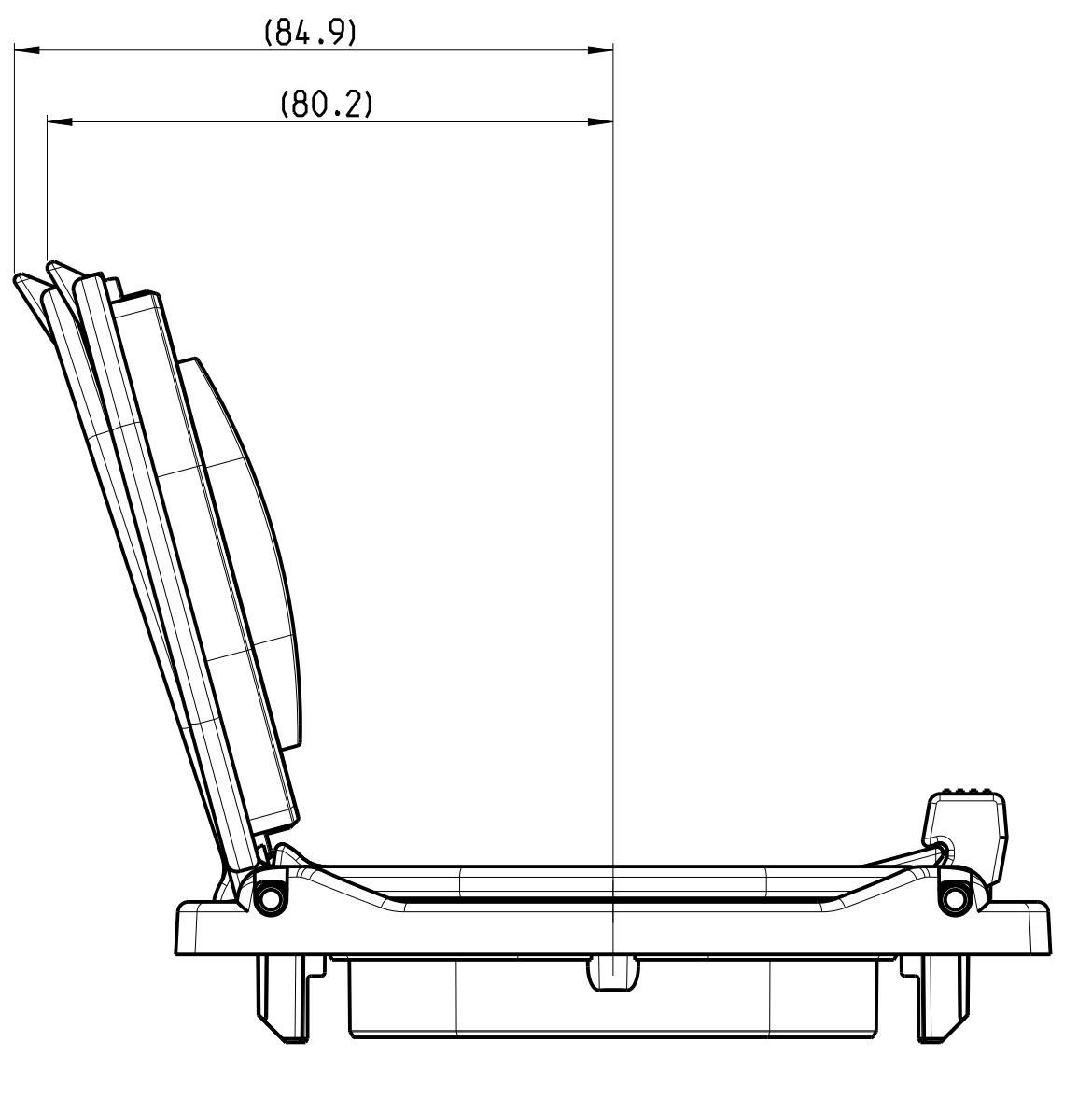
0-2358664-3  
CLOSED CONDITION



0-2358664-4  
CLOSED CONDITION



OPEN CONDITION  
AS SHOWN  
Offene Position  
Wie gezeigt



QTY	QTY REQD PER ASSY	QTY REQD PER ASSY	QTY REQD PER ASSY	QTY REQD PER ASSY	QTY REQD PER ASSY	QTY REQD PER ASSY	QTY REQD PER ASSY	QTY REQD PER ASSY	QTY REQD PER ASSY	QTY REQD PER ASSY	QTY REQD PER ASSY	QTY REQD PER ASSY	QTY REQD PER ASSY
2	2	2	2	2	2	2	2	2	2	2	2	2	2
4	4	4	4	4	4	4	4	4	4	4	4	4	4
2	2	2	2	2	2	2	2	2	2	2	2	2	2
4	4	4	4	4	4	4	4	4	4	4	4	4	4
2	2	2	2	2	2	2	2	2	2	2	2	2	2
1	1	1	1	1	1	1	1	1	1	1	1	1	1
-	-	-	-	-	-	-	-	-	-	-	-	-	-
1	1	1	1	1	1	1	1	1	1	1	1	1	1
-	-	-	-	-	-	-	-	-	-	-	-	-	-
-	-	-	-	-	-	-	-	-	-	-	-	-	-
-	-	-	-	-	-	-	-	-	-	-	-	-	-
-	-	-	-	-	-	-	-	-	-	-	-	-	-
-	-	-	-	-	-	-	-	-	-	-	-	-	-
-	-	-	-	-	-	-	-	-	-	-	-	-	-
0.....8	0.....7	0.....6	0.....5	0.....4	0.....3	0.....2	0.....1						

DIMENSIONS AND TOLERANCES ACCORDING TO:  
BESÄSSERUNG UND TOLERANZEN GEMÄSS:  
DIN EN ISO 20117  
TOLERANCE GROUP: M6  
TOLERANZGRUPPE: T6  
DIN EN ISO 20117: 2019-01-01  
DIN EN ISO 20117-3: 2019-01-01

THIS DRAWING IS A CONTROLLED DOCUMENT.  
DIMENSIONING AND TOLERANCING PER GPS IFSO STANDARDS.

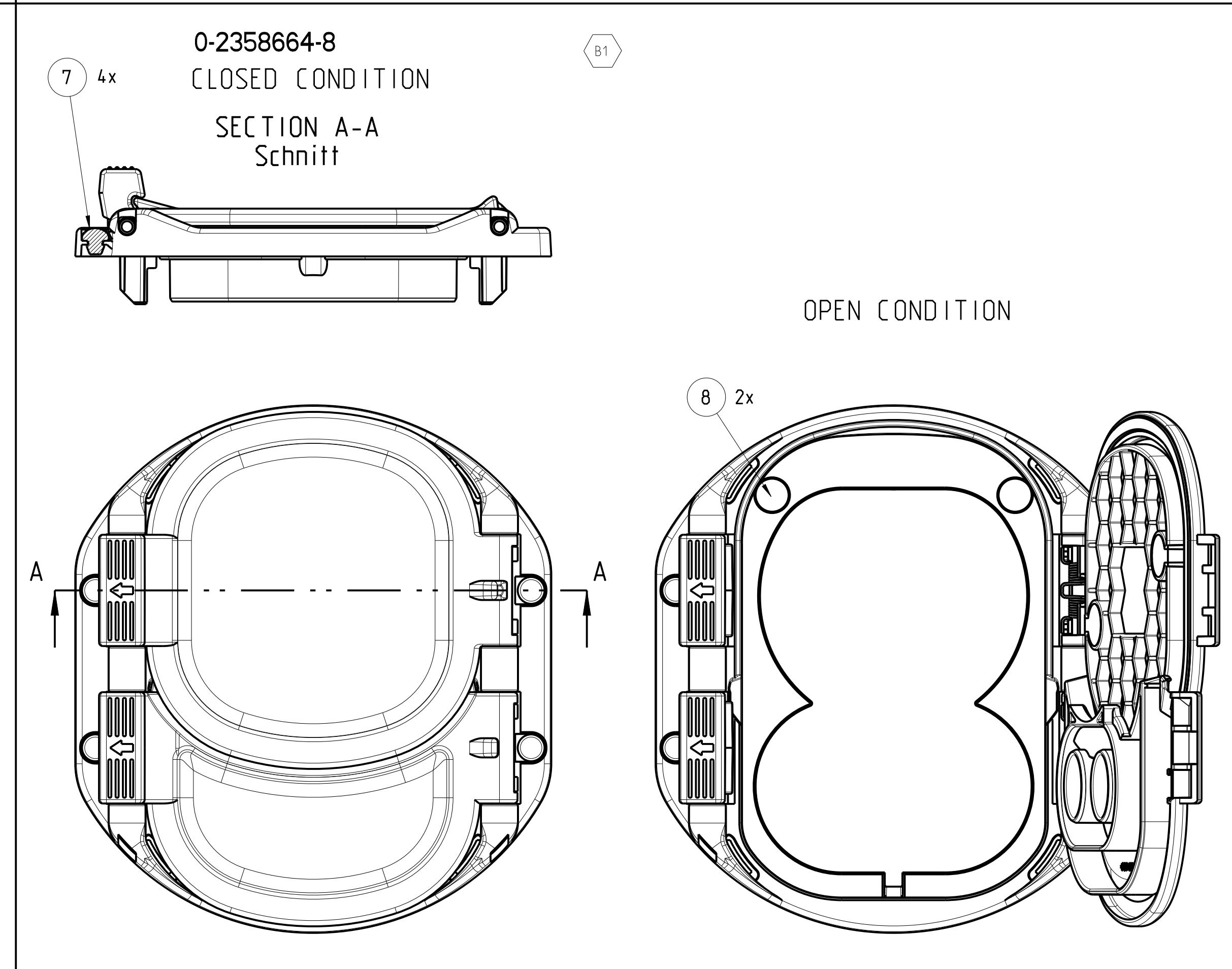
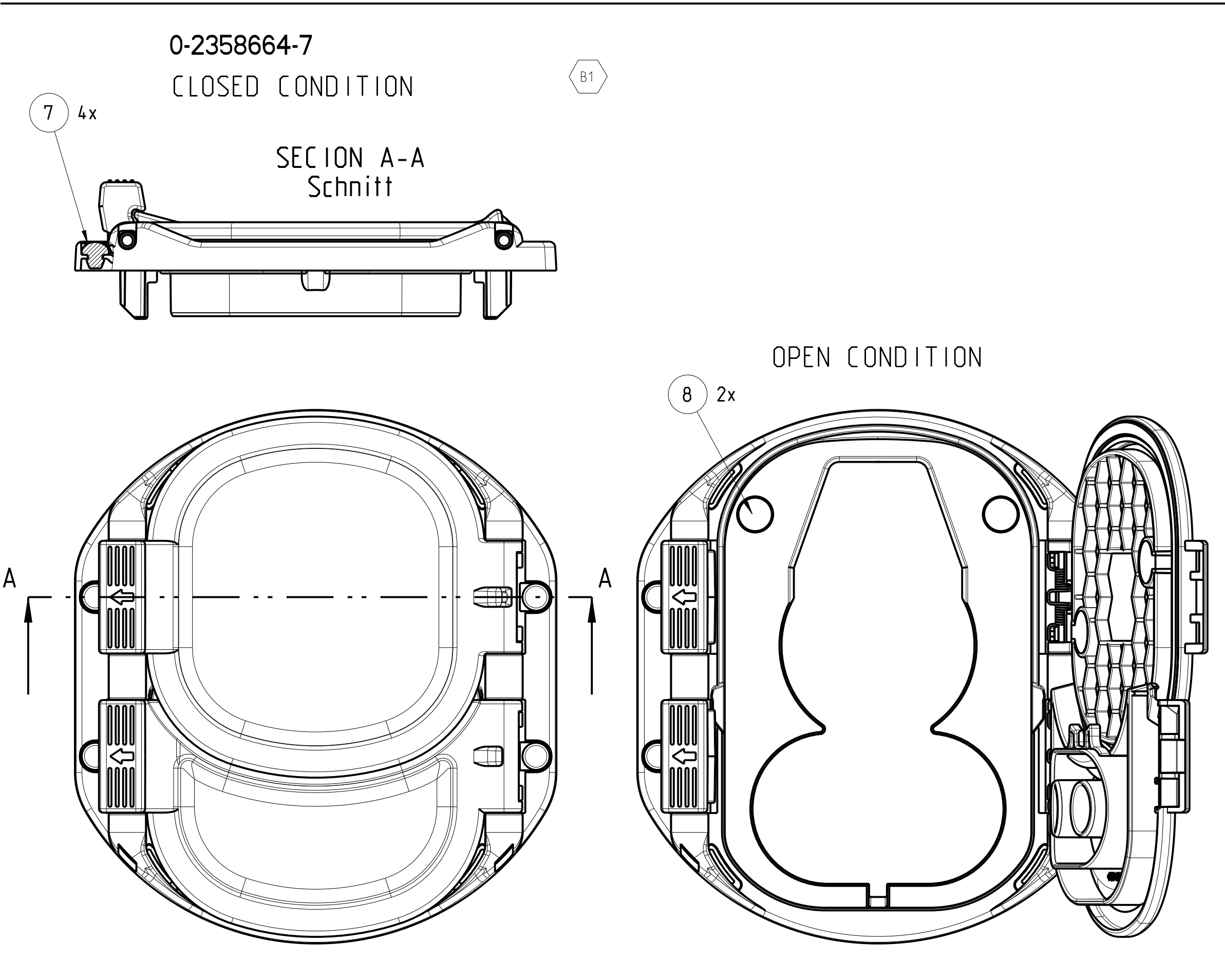
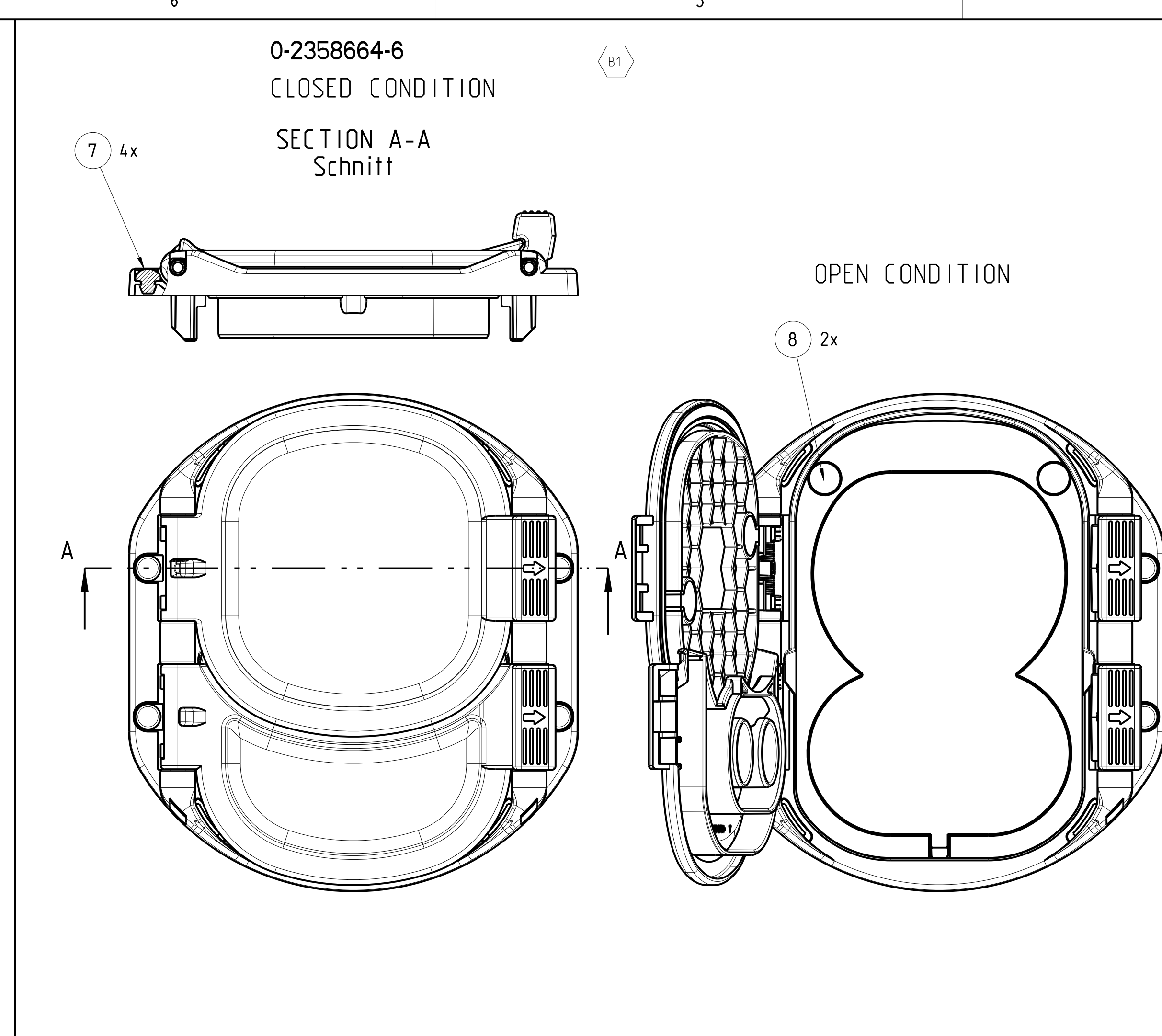
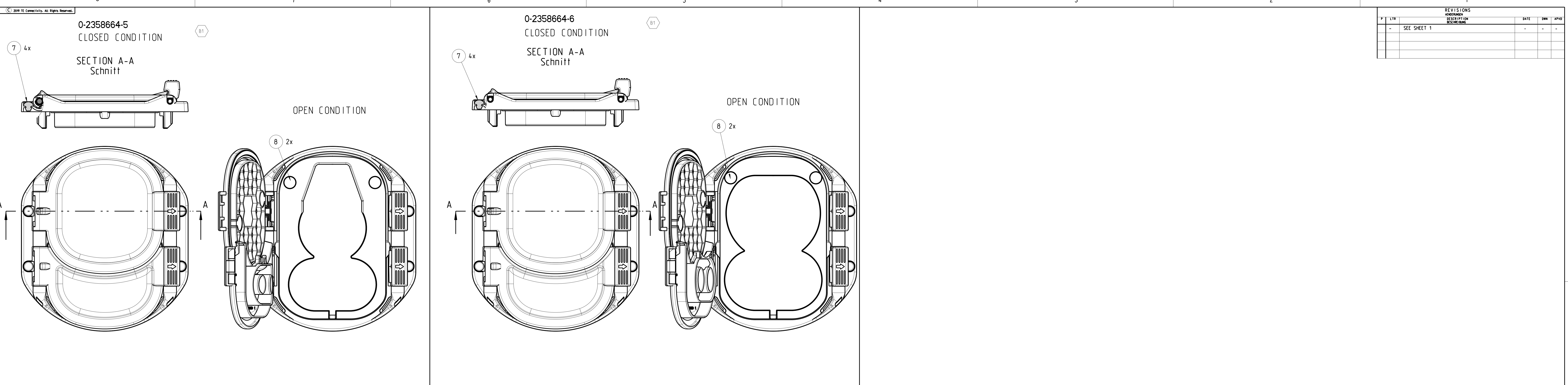
PROJEKTLEITUNG: J. KOESTER  
APPROBATION: B. KOSCH  
DATE: 26 JUN 2019

APPLICATION SPEC: VERBODEN TOEGANG  
SCALE: 1:1  
SHEET: 1 OF 2  
REV: B1

STE TE Connectivity

FLAP, ASSY, INLET COMBO

122 126 122 126 122 126 122 126



REVISIONS				
NO.	DATE	BY	DESCRIPTION	APPROVED
1			SEE SHEET 1	

THIS DRAWING IS A CONTROLLED DOCUMENT.

DESIGNED BY: SHWETA KULJARNI	DATE: 26 JUN 2019	 TE Connectivity	NAME: FLAP, ASSY, INLET COMBO PART NO: - SITE: A0 CASE CODE: 00779 DRAWING NO: 2358664 SCALE: 1:1 SHEET: 2 OF: 2
APPROVED BY: S. KOSCH	DATE: 26 JUN 2019		
DESIGNED BY: J. KOESTER	DATE: 26 JUN 2019		
APPROVED BY: J. KOESTER	DATE: 26 JUN 2019		
0 P/LC	1	PRODUCT SPEC	RESTRICTED TO MFG FILE
1 P/LC	1	PRODUCT SPEC	
2 P/LC	1	APPLICATION SPEC	
3 P/LC	1	VERIFICATION SPEC	
4 P/LC	1	VERIFICATION SPEC	
MATERIAL: SEE TABLE	FINISH: SEE TABLE	REG. NO: SEE TABLE	RESTRICTED CUSTOMER
SEE TABLE	SEE TABLE	SEE TABLE	

## X-ON Electronics

Largest Supplier of Electrical and Electronic Components

*Click to view similar products for [Automotive Connectors](#) category:*

*Click to view products by [TE Connectivity](#) manufacturer:*

Other Similar products are found below :

[003-018-000](#) [60993906-B](#) [M902-2131](#) [M902-2161](#) [M902-2344](#) [72.330.1035.1](#) [73.353.4028.0](#) [F166900](#) [F358300-B](#) [F407400](#) [776880-1](#)  
[827153-1](#) [8N1515-32-24P](#) [9-1326729-8](#) [925474-1](#) [928905-1](#) [964562-4](#) [968782-1](#) [98891-1012](#) [12004475-L](#) [12020308](#) [12041318-B](#)  
[12052466](#) [12059716](#) [12064869](#) [12015909](#) [1-21030-1](#) [12041254](#) [12041318](#) [12047946-B](#) [12110546-B](#) [12131792](#) [12084688](#) [12092346](#)  
[HD34-18-14PT](#) [HD46-24-23SN-059](#) [HDB36-24-16PN-059](#) [HDP26-24-9SE-L015](#) [12185280](#) [12185550](#) [12336-12](#) [12191172-B](#) [12S](#)  
[13545280](#) [13577943](#) [13681974](#) [13737722-B](#) [13830674](#) [13832576](#) [13849772](#)