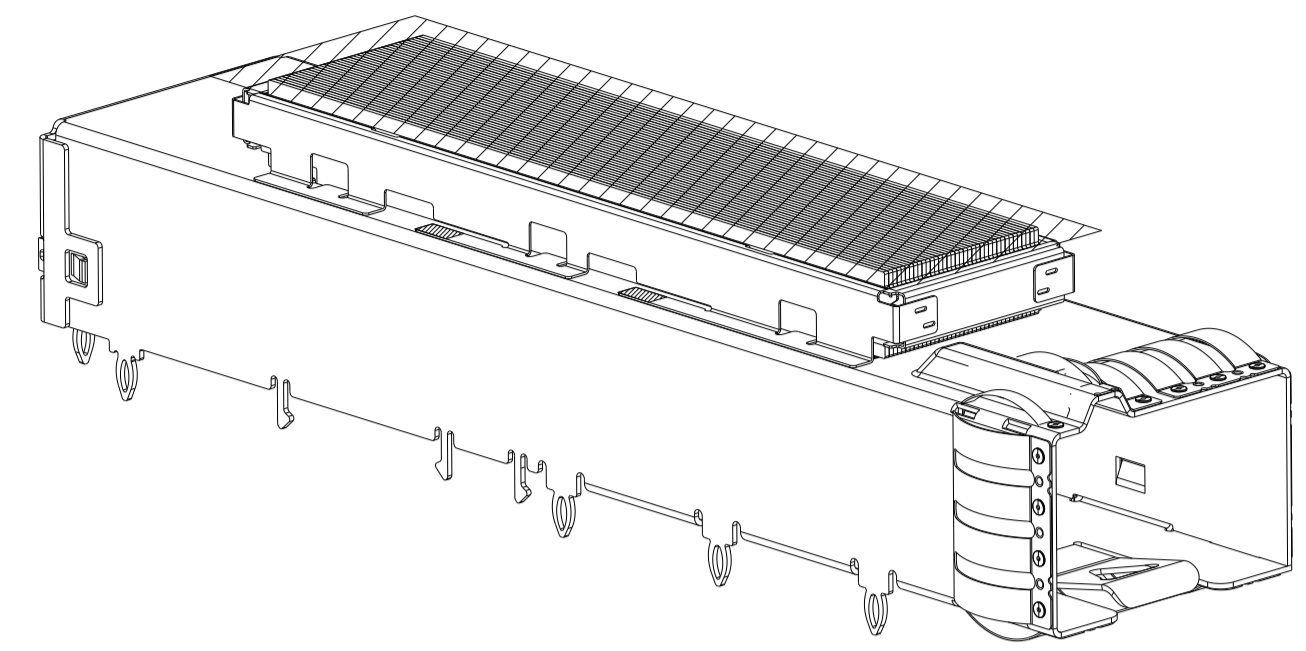
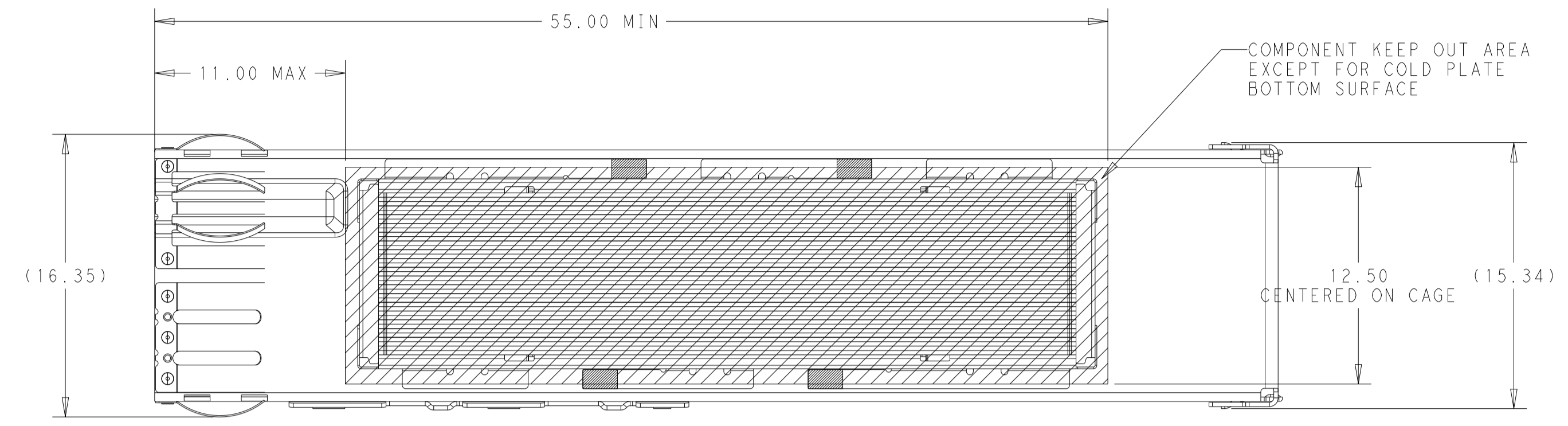


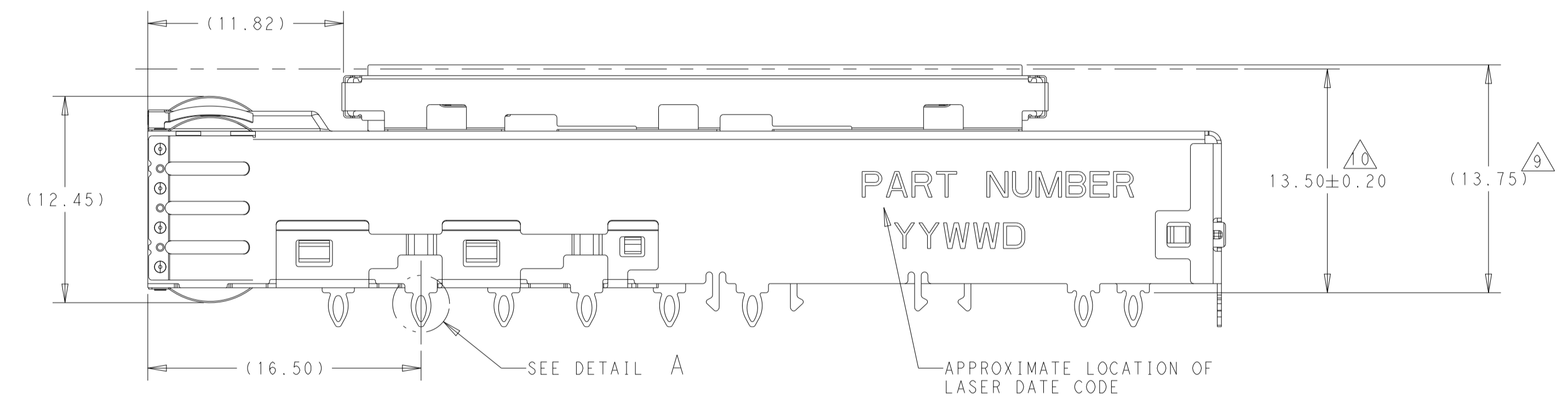
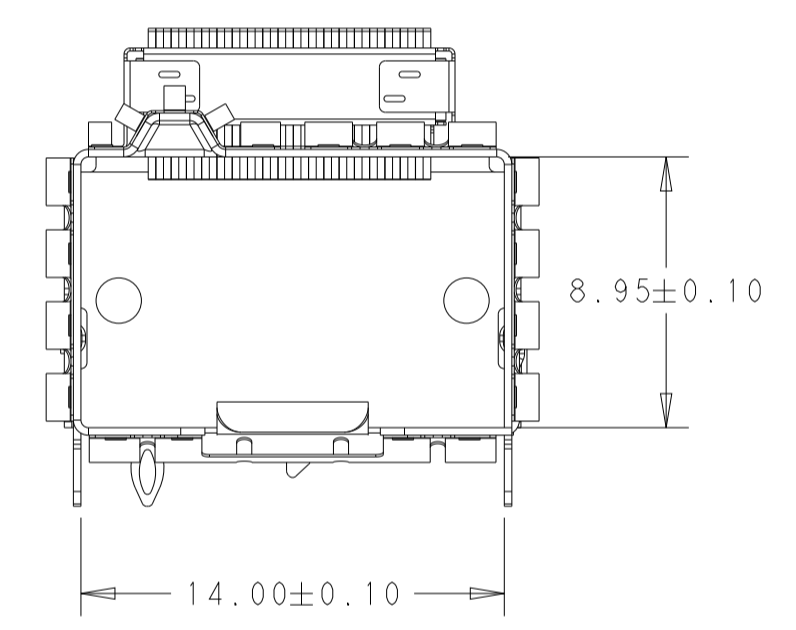
REVISIONS				
P	LTN	DESCRIPTION	DATE	APVD
A		INITIAL RELEASE	08JUN2020	VL SH
A1		CORRECTED P/N TABLE TYPO	02NOV2021	AJ SJ



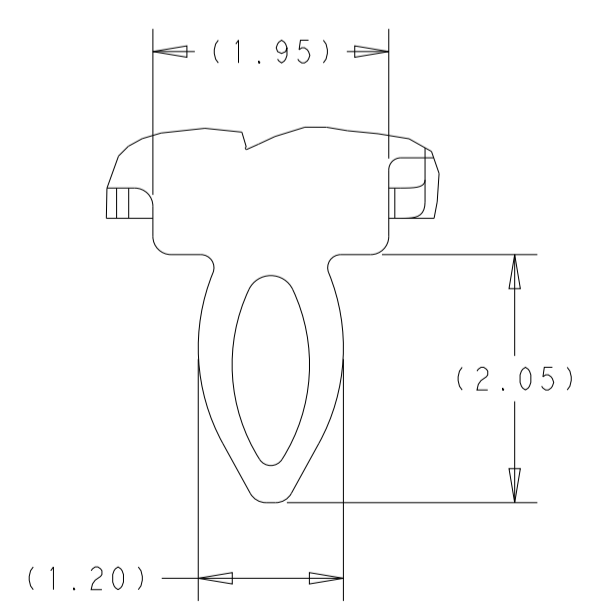
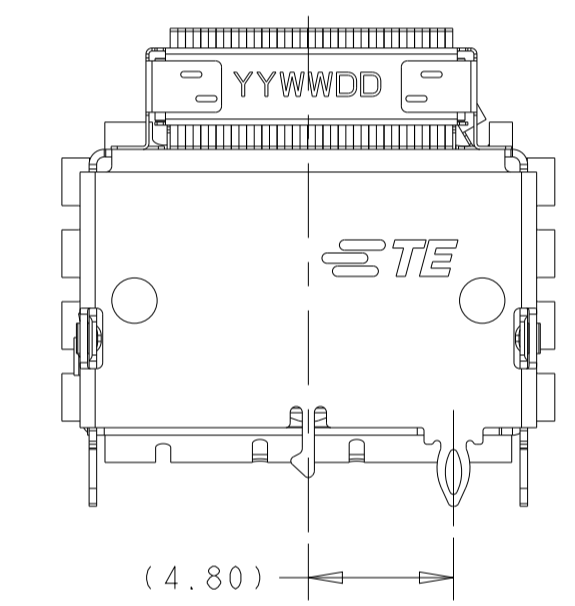
2359292-1 AS SHOWN
SCALE 3:1



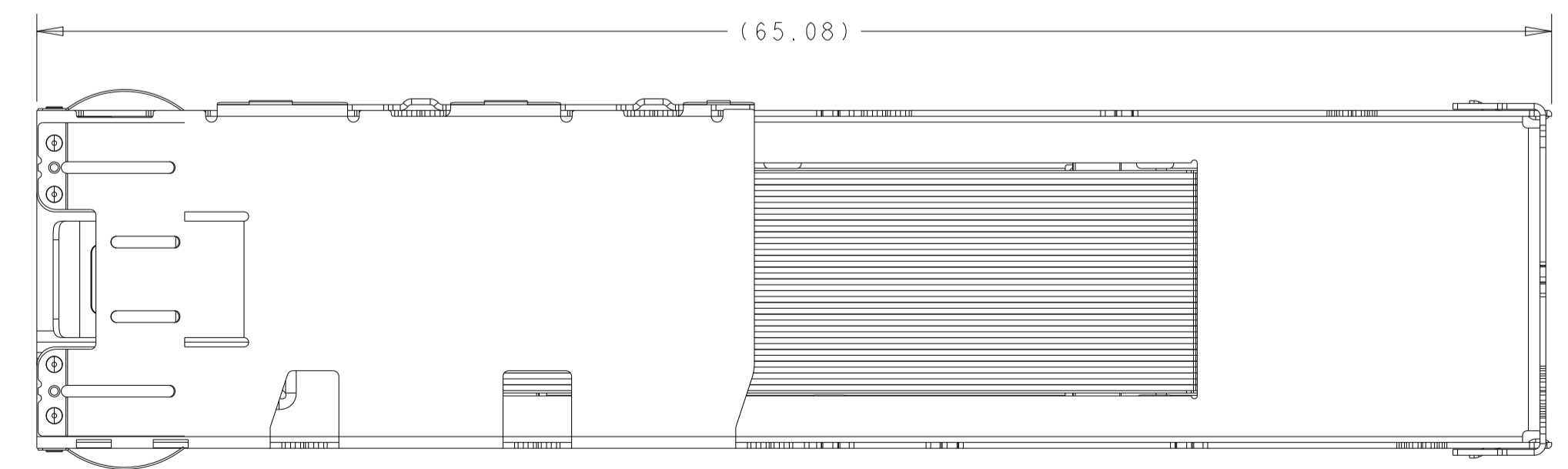
- 1 MATERIAL:
CAGE ASSEMBLY - 0.25mm THICK STAINLESS STEEL.
EMI SPRINGS - COPPER ALLOY.
THERMAL BRIDGE- COPPER ALLOY
- 2 FINISH
EMI SPRINGS - NICKEL PLATING, NON-PLATED EDGES PERMISSIBLE.
THERMAL BRIDGE - ELECTROLESS NICKEL.
- 3. MATES WITH SFP-DD MSA COMPLIANT TRANSCEIVERS.
- 4 DATUM AND BASIC DIMENSION ESTABLISHED BY CUSTOMER.
- 5. MINIMUM PC BOARD THICKNESS:
SINGLE SIDED = 1.57 mm
DOUBLE SIDED = 2.20 mm
- 6 REFERENCE APPLICATION SPEC. 114-60027, HOLE A, FOR RECOMMENDED DRILL HOLE DIAMETER AND PLATING THICKNESS.
- 7 REFERENCE APPLICATION SPEC. 114-60027, HOLE B, FOR RECOMMENDED DRILL HOLE DIAMETER AND PLATING THICKNESS.
- 8. DATUM -A- IS TOP SURFACE OF THE HOST BOARD.
- 9 DIMENSION APPLIES PRIOR TO INSERTION OF SFP MODULE.
- 10 RECOMMENDED STANDOFF HEIGHT FOR COLD PLATE:
OPTION 1: 13.50 +/-0.20 MM WITH THERMAL GREASE, THERMAL GREASE THICKNESS: 0.10 +/-0.05MM.
OPTION 2: 13.40 +/-0.20 MM WITHOUT THERMAL GREASE.



SCALE 4:1



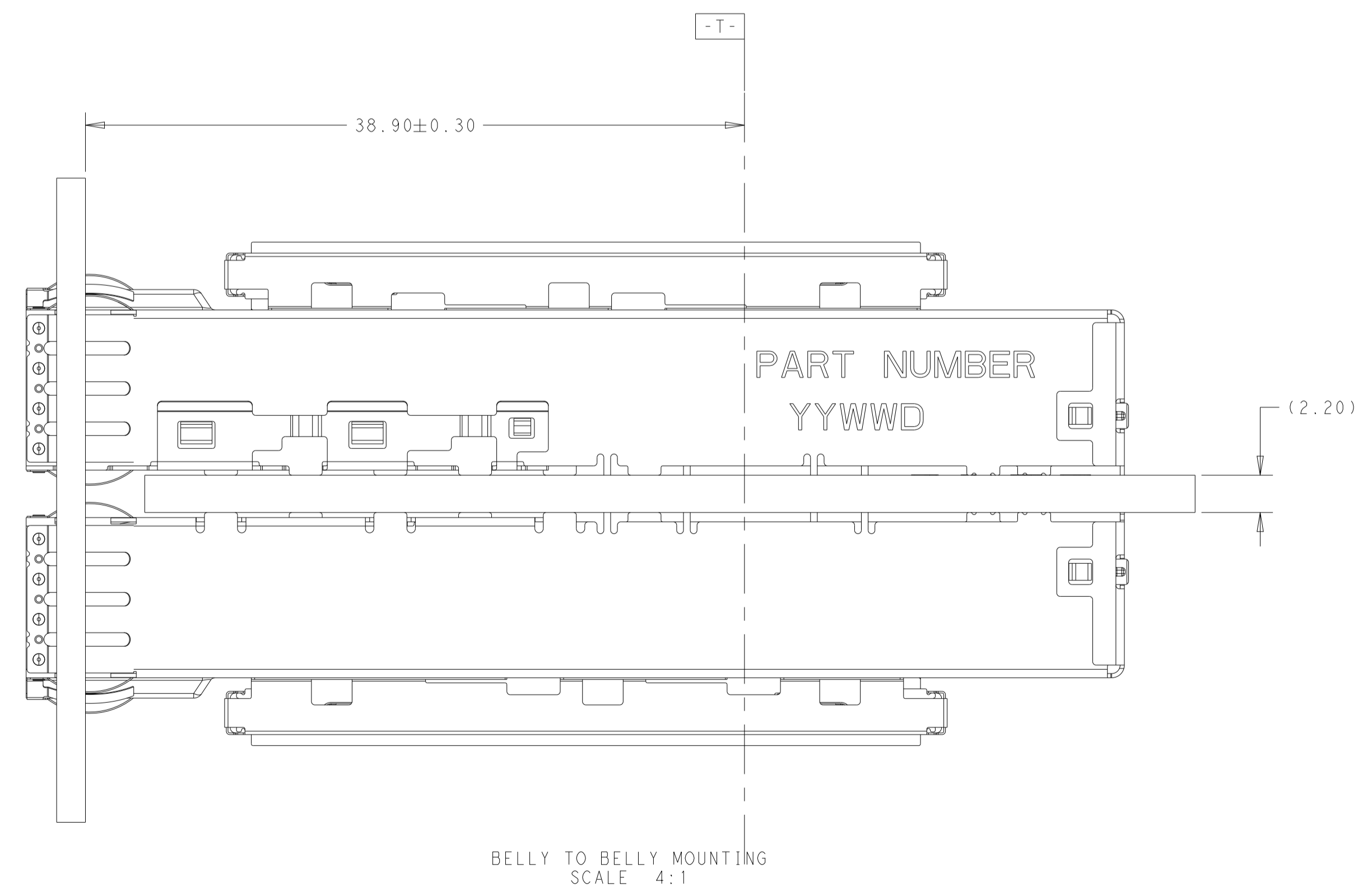
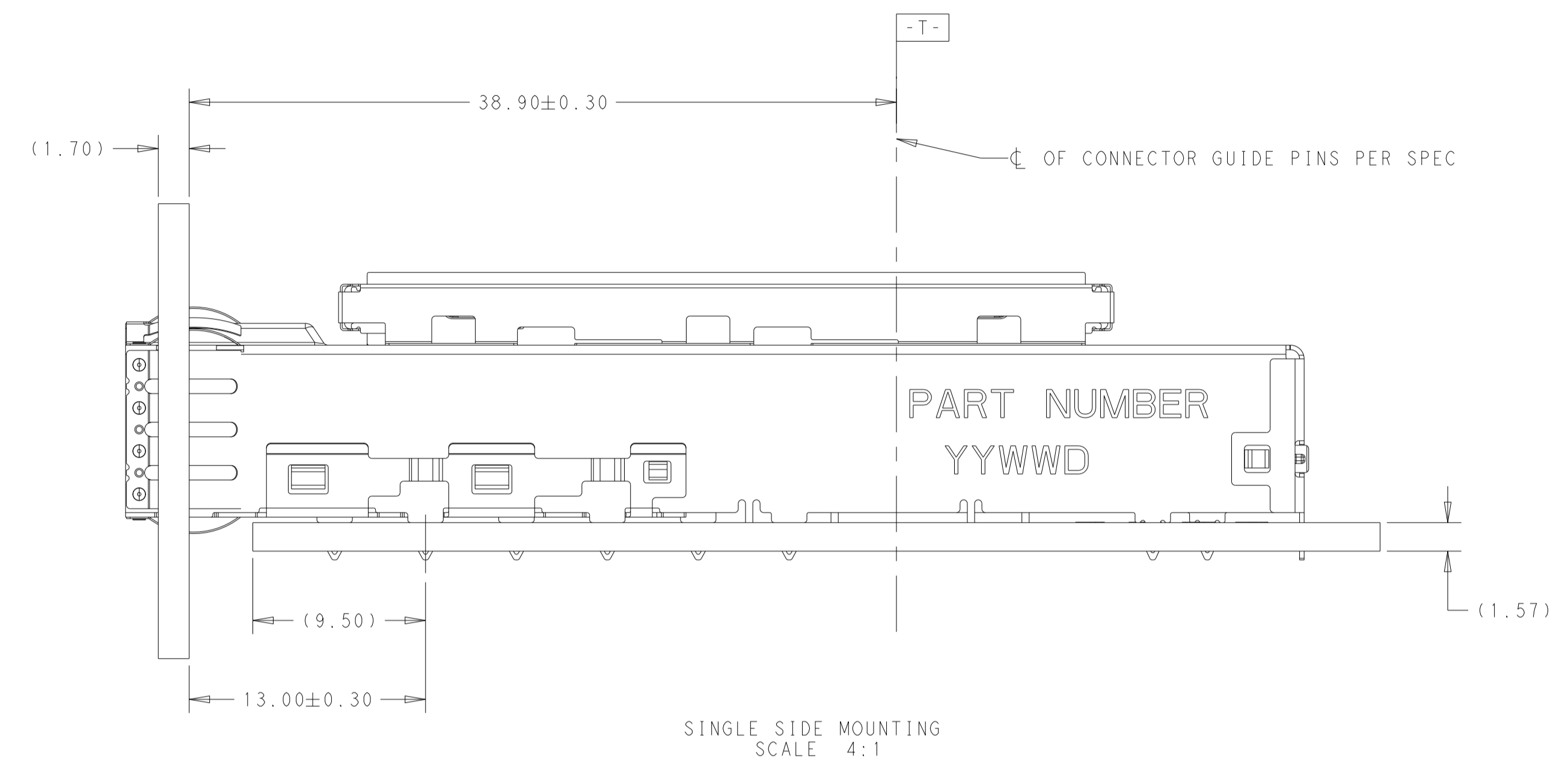
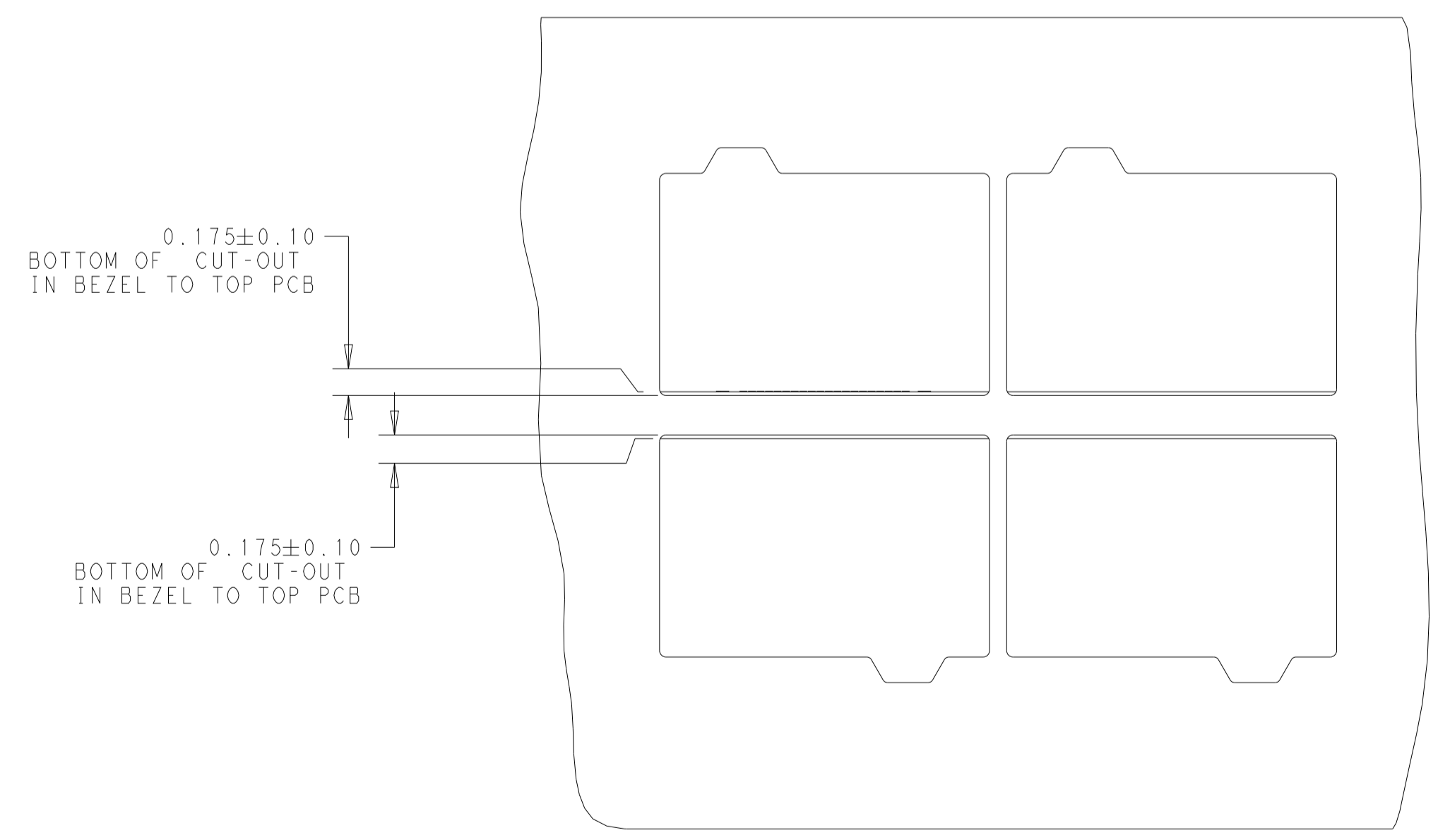
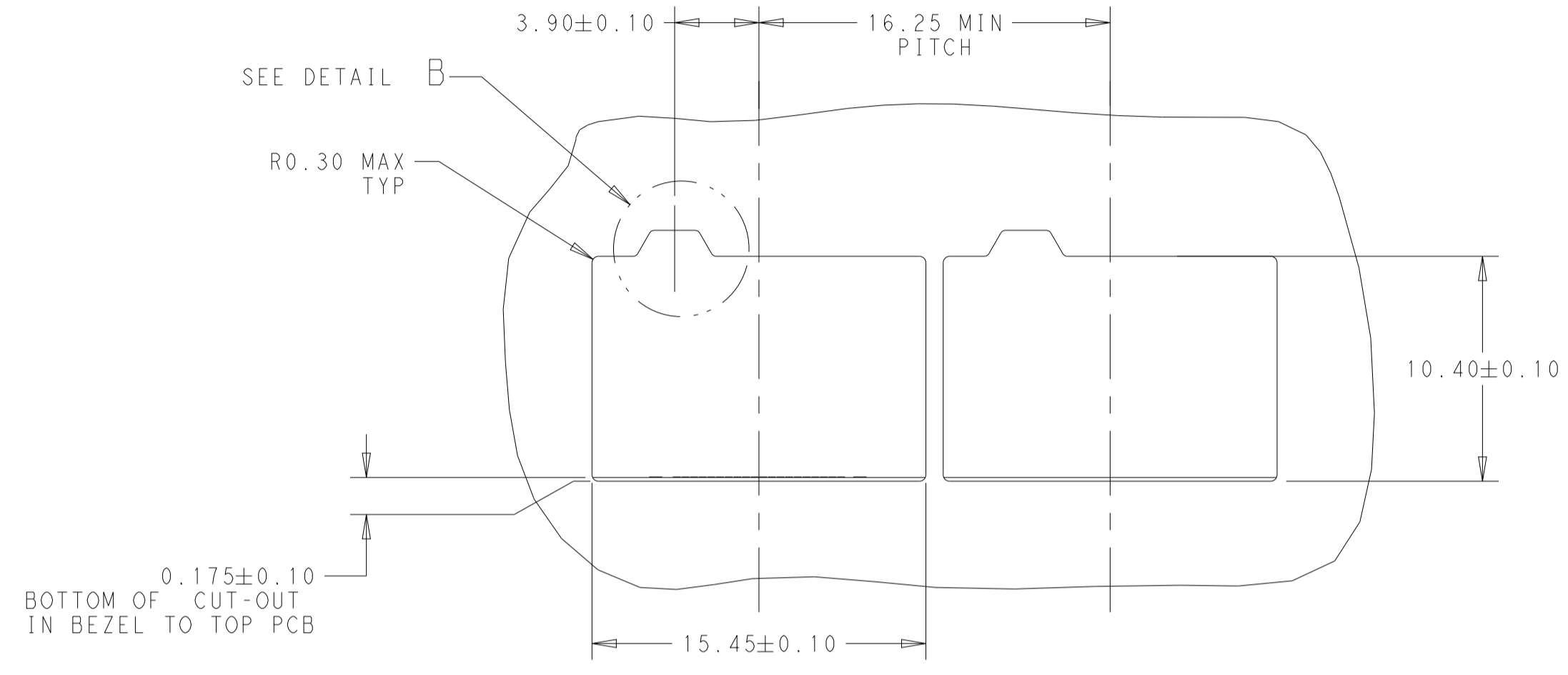
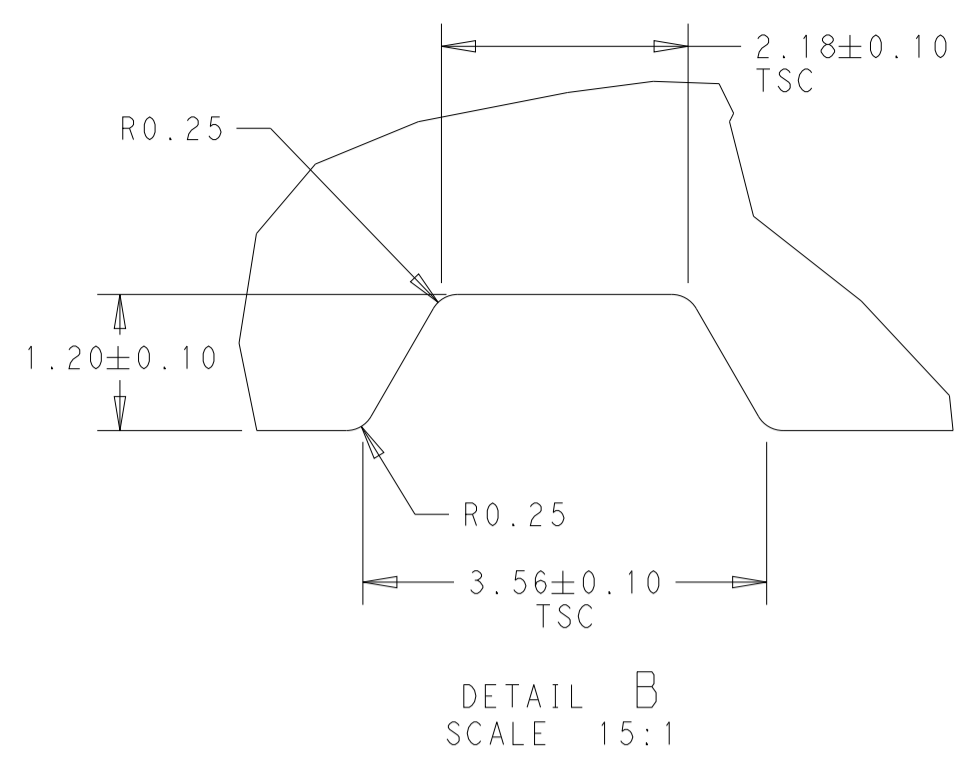
DETAIL A
SCALE 16:1



2359292-1
PART NUMBER

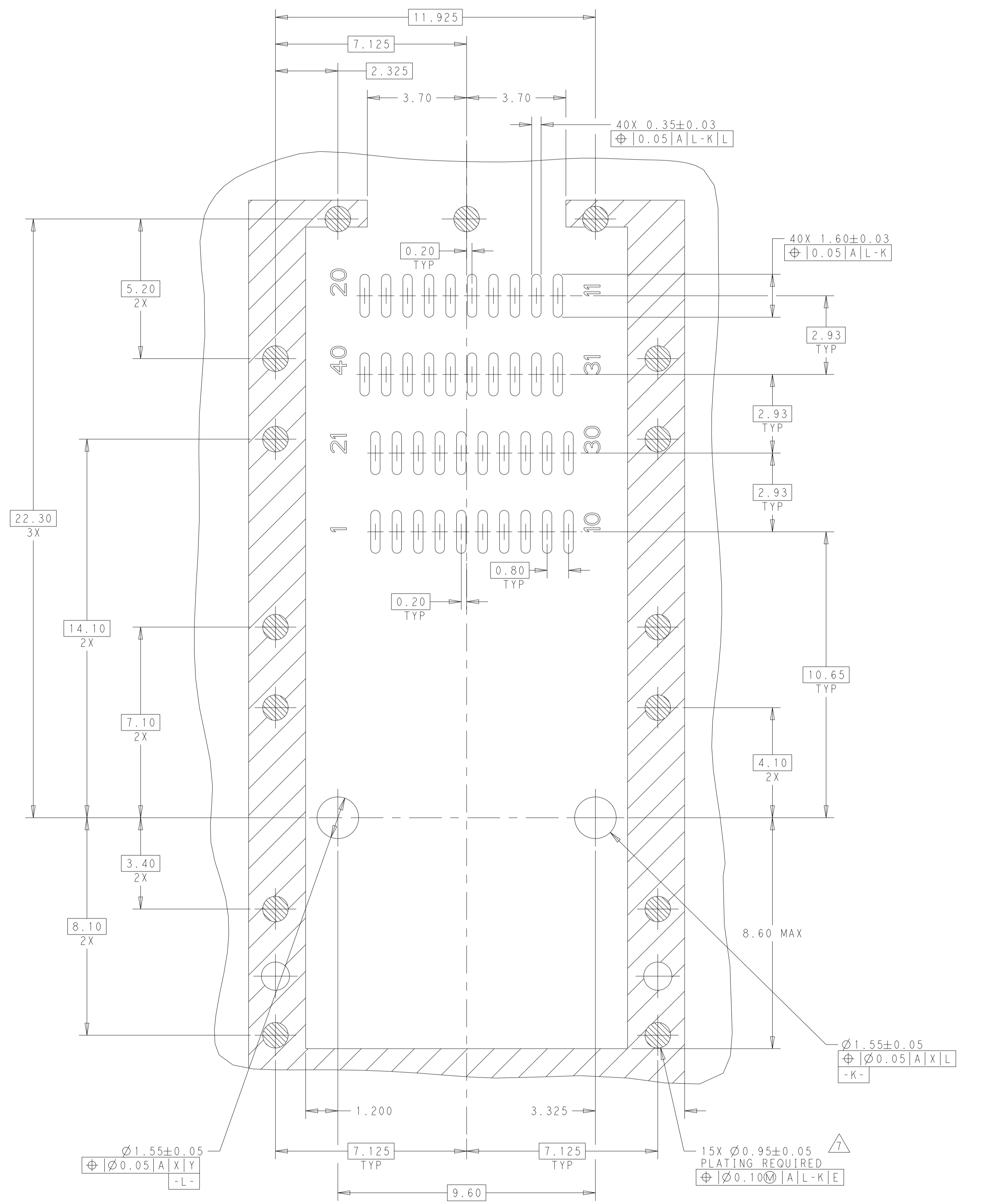
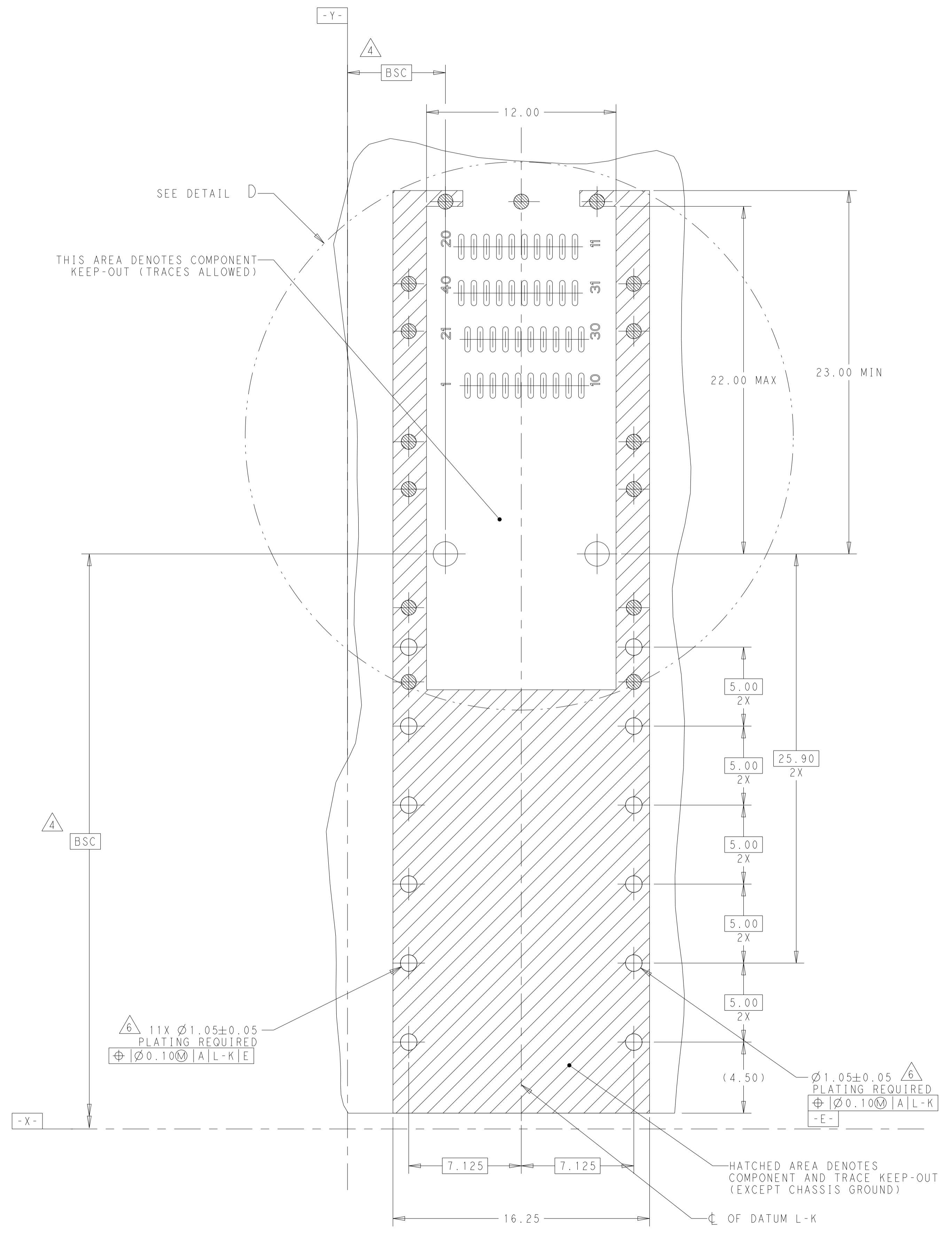
THIS DRAWING IS A CONTROLLED DOCUMENT.		OWN VINDY LIU 17SEP2019	TE Connectivity	
		CHK SEAN HAN 17SEP2019		
DIMENSIONS:		TOLERANCES UNLESS OTHERWISE SPECIFIED:		NAME CAGE ASSEMBLY, SFPDD 1X1 W/ TB
mm	0 PLC ±0.25	APVD	PRODUCT SPEC 108-130042/60128	SIZE CAGE CODE DRAWING NO
	1 PLC ±0.20		APPLICATION SPEC 114-130017	RESTRICTED TO
	3 PLC ±0.10		WEIGHT	A1 00779 C=2359292
	4 PLC ±		CUSTOMER DRAWING	SCALE 2:1 SHEET 1 OF 4 REV A1
	ANGLES ±			
	FINISH			

REVISIONS				
P	LTN	DESCRIPTION	DATE	APVD
-	-	SEE SHEET 1	-	-



THIS DRAWING IS A CONTROLLED DOCUMENT.		OWN: WINDY LIU 17SEP2019	TE Connectivity
DIMENSIONS: mm		CHK: SEAN HAN 17SEP2019	
TOLERANCES UNLESS OTHERWISE SPECIFIED:		APVD: -	NAME: CAGE ASSEMBLY, SFPDD 1X1 W/ TB
0 PLC ±	1 PLC ±0.25	PRODUCT SPEC: 108-130042/60128	SIZE: A1
2 PLC ±0.20	3 PLC ±0.10	APPLICATION SPEC: 114-130017	CAGE CODE: 2359292
4 PLC ±	ANGLES ±	WEIGHT: -	RESTRICTED TO: -
MATERIAL: -	FINISH: -	CUSTOMER DRAWING	SCALE: 2:1 SHEET 2 OF 4 REV A1

REVISIONS				
P	LTN	DESCRIPTION	DATE	APPD
-	-	SEE SHEET 1	-	-



DETAIL D SCALE 10:1

THIS DRAWING IS A CONTROLLED DOCUMENT.		DWN VINDY LIU 17SEP2019	TE Connectivity
DIMENSIONS: mm		CHK SEAN HAN 17SEP2019	
TOLERANCES UNLESS OTHERWISE SPECIFIED:		APVD	NAME CAGE ASSEMBLY, SFPDD 1X1 W/ TB
0 PLC ±0.25	1 PLC ±0.25	PRODUCT SPEC 108-130042/60128	SIZE CAGE CODE DRAWING NO RESTRICTED TO
2 PLC ±0.20	3 PLC ±0.10	APPLICATION SPEC 114-130017	A100779C=2359292
4 PLC ±0.10	ANGLES ±0.10	WEIGHT	SCALE 2:1 SHEET 4 OF 4 REV A1
MATERIAL	FINISH	CUSTOMER DRAWING	

X-ON Electronics

Largest Supplier of Electrical and Electronic Components

Click to view similar products for [I/O Connectors](#) category:

Click to view products by [TE Connectivity](#) manufacturer:

Other Similar products are found below :

[571763P](#) [D20419-211](#) [72.250.1628.2](#) [72.250.2428.2](#) [74720-0505](#) [76.350.0729.0](#) [76871-1403](#) [FCN-244F080-G/1](#) [FCN-260A9920](#) [MP-5T180MUNNA-005](#) [PCR-E36PM](#) [PCS-XE26MA+](#) [G38A71314B](#) [1571250010](#) [157-22500-3](#) [MS3471L14-19P L/C](#) [172501-4002](#) [172501-6002](#) [FCN-260C008-A/L0](#) [FCN-260C024-AL0](#) [FCN-261Z008](#) [2000314-1](#) [200331-1](#) [PCR-E36FC+](#) [PCS-E28FS+](#) [PCS-XE26SLFD+](#) [PCS-XE26SLFDT+](#) [G730VID08BDC24](#) [HDMR-29-01-S-SM-TR](#) [U90B2054081210](#) [UE86K842720321](#) [38113800006](#) [DP3AR020WQ1R200](#) [Z4.102.0680.0](#) [500-1040](#) [500-1052](#) [500-1054](#) [ZP-4008-66L](#) [0709821002](#) [5554841-1](#) [U90B3054061110](#) [U65-E04-4020](#) [ZPF00000000097891](#) [557-262M2-06C](#) [747360449](#) [10099439-003C-TRLF](#) [10137239-0021LF](#) [E9320-001-01](#) [10137239-0011LF](#) [70289-001LF](#)