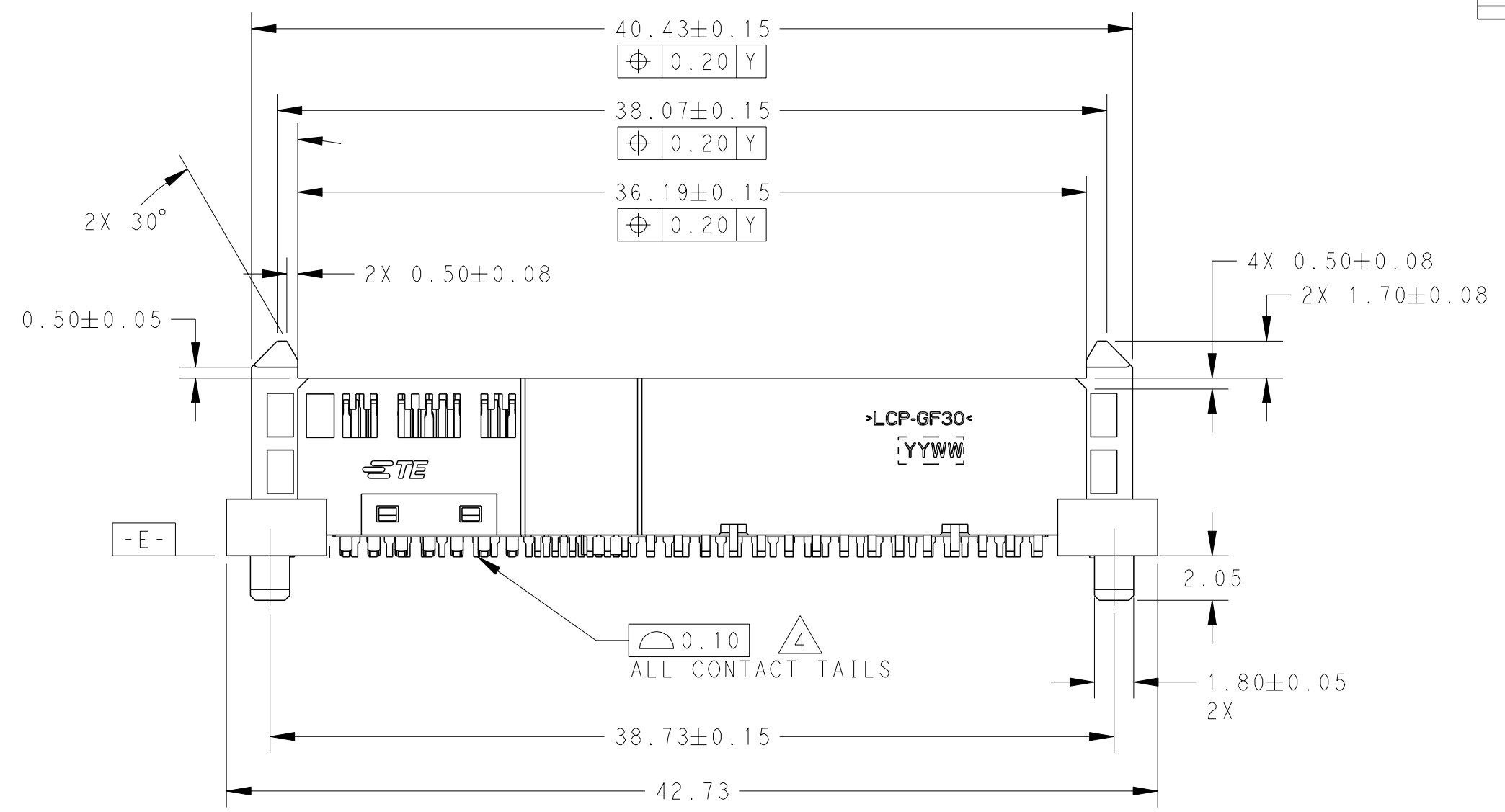
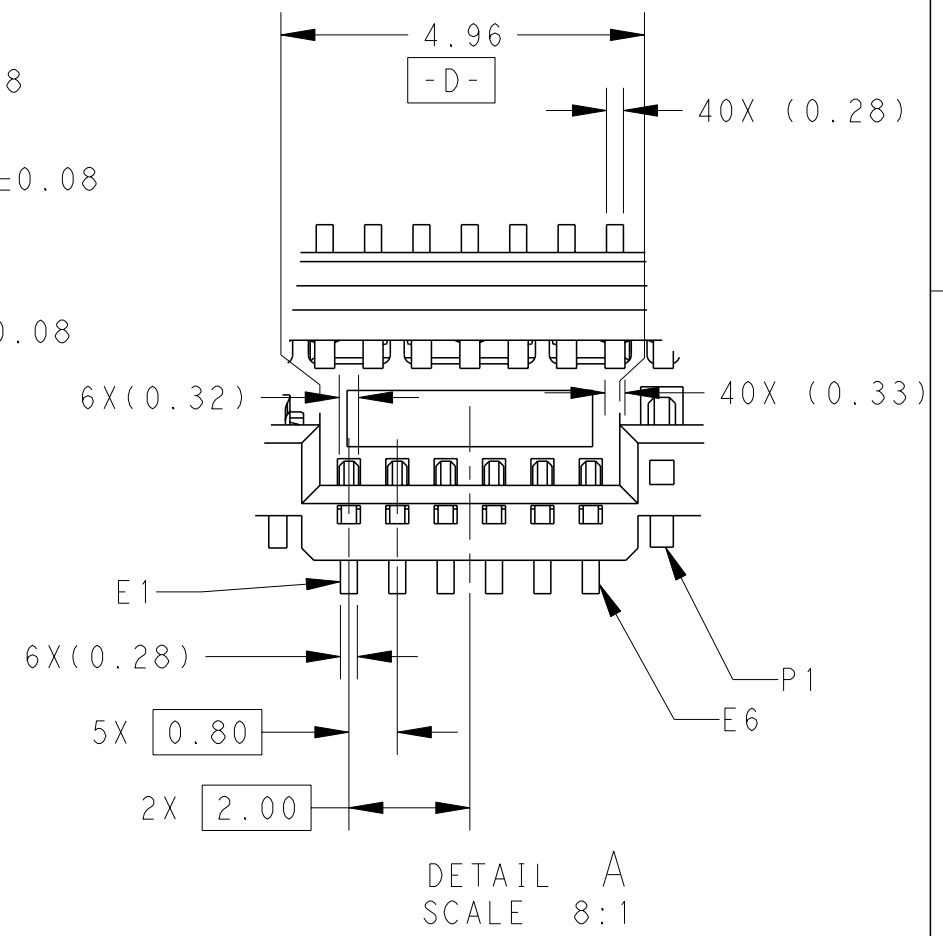
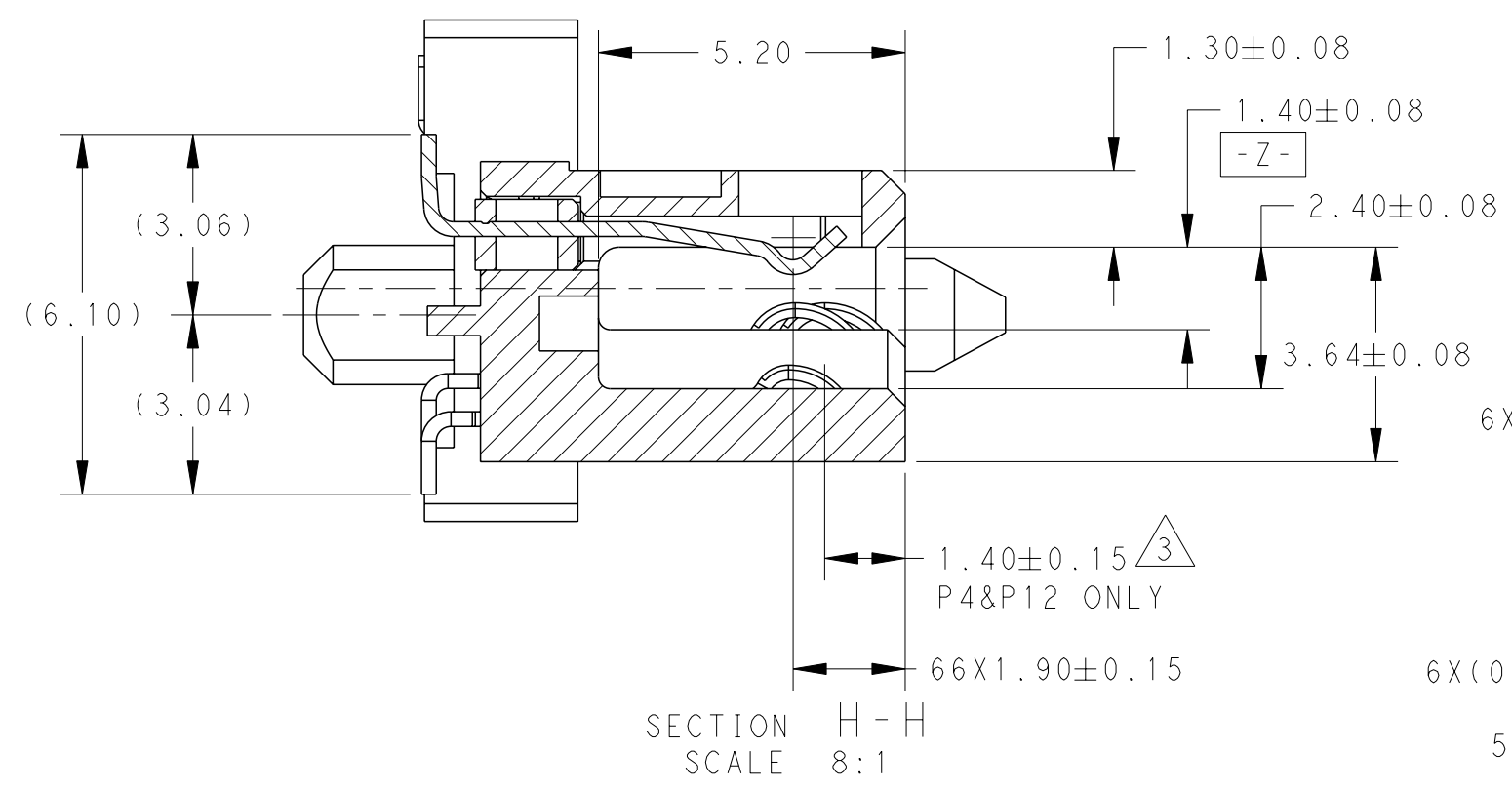
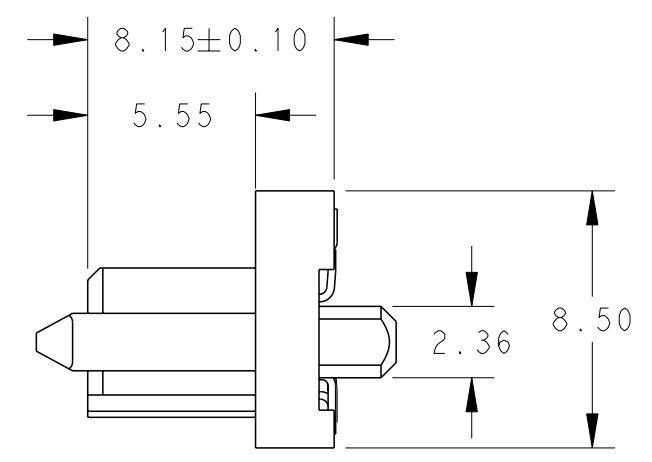
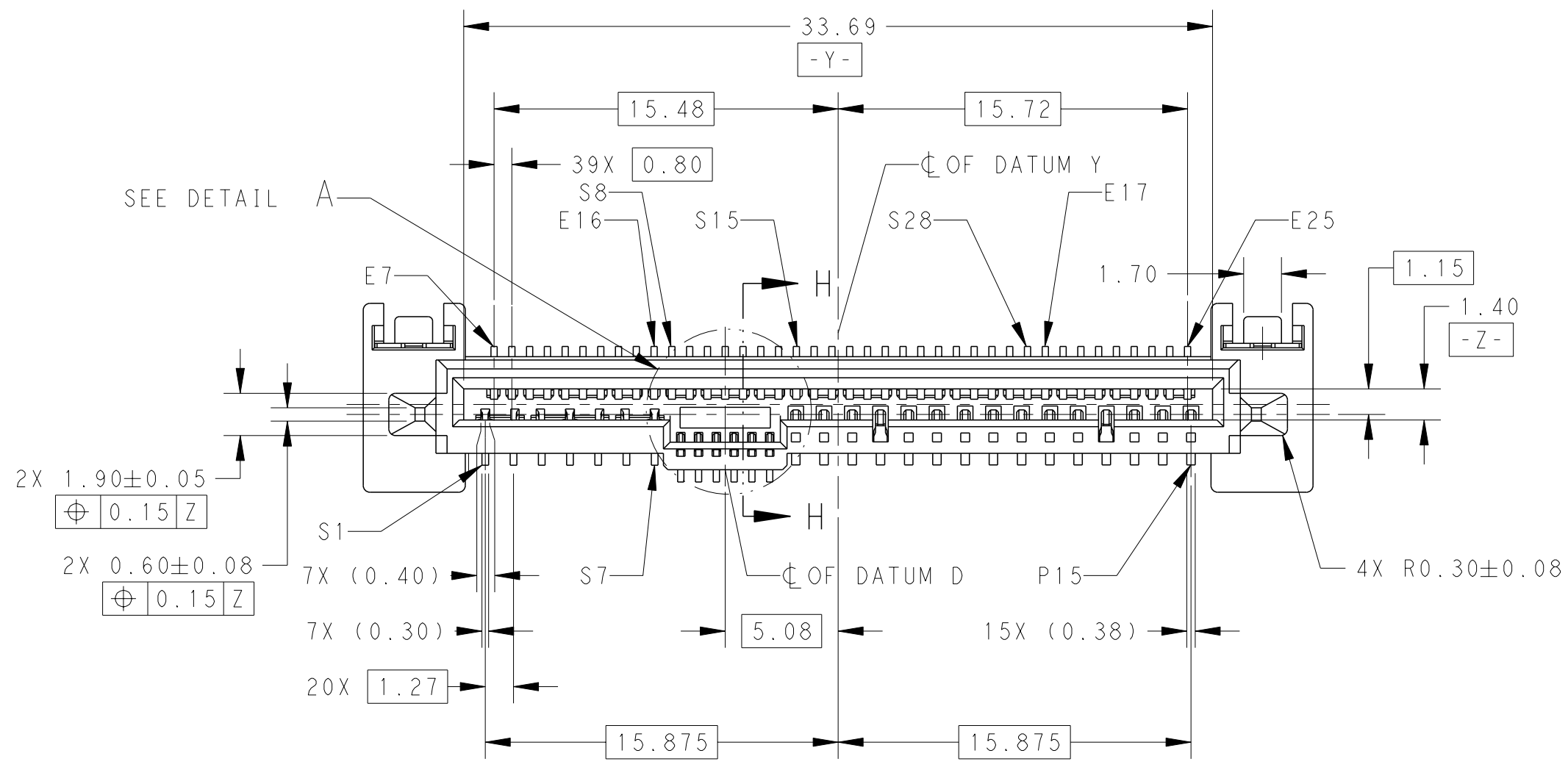


THIS DRAWING IS UNPUBLISHED. RELEASED FOR PUBLICATION 20
 © COPYRIGHT 20 BY - ALL RIGHTS RESERVED.

REVISIONS					
P	LTR	DESCRIPTION	DATE	DWN	APVD
	A	RELEASED FOR MASS PRODUCTION	22JAN2021	TX	DZ

NOTES:

- 1 MATERIAL:
HOUSING: HIGH TEMP THERMOPLASTIC, UL94V-0,
COLOR:BLACK
CONTACT: COPPER ALLOY
BOARDLOCK: COPPER ALLOY
- 2 FINISH:
CONTACT AREA:
MIN 0.76µm GOLD PLATING
SOLDERTAIL: MIN 2.54µm MATTE TIN PLATING
UNDERPLATE: MIN 1.27µm NICKEL PLATING
- 3 PIN #P4 AND #P12 ONLY
- 4 SOLDER TAIL TO BE 0.05 MAX ABOVE
AND 0.10 MAX BELOW DATUM E
- 5 1.33 MAX MEASURED AT DATUM C

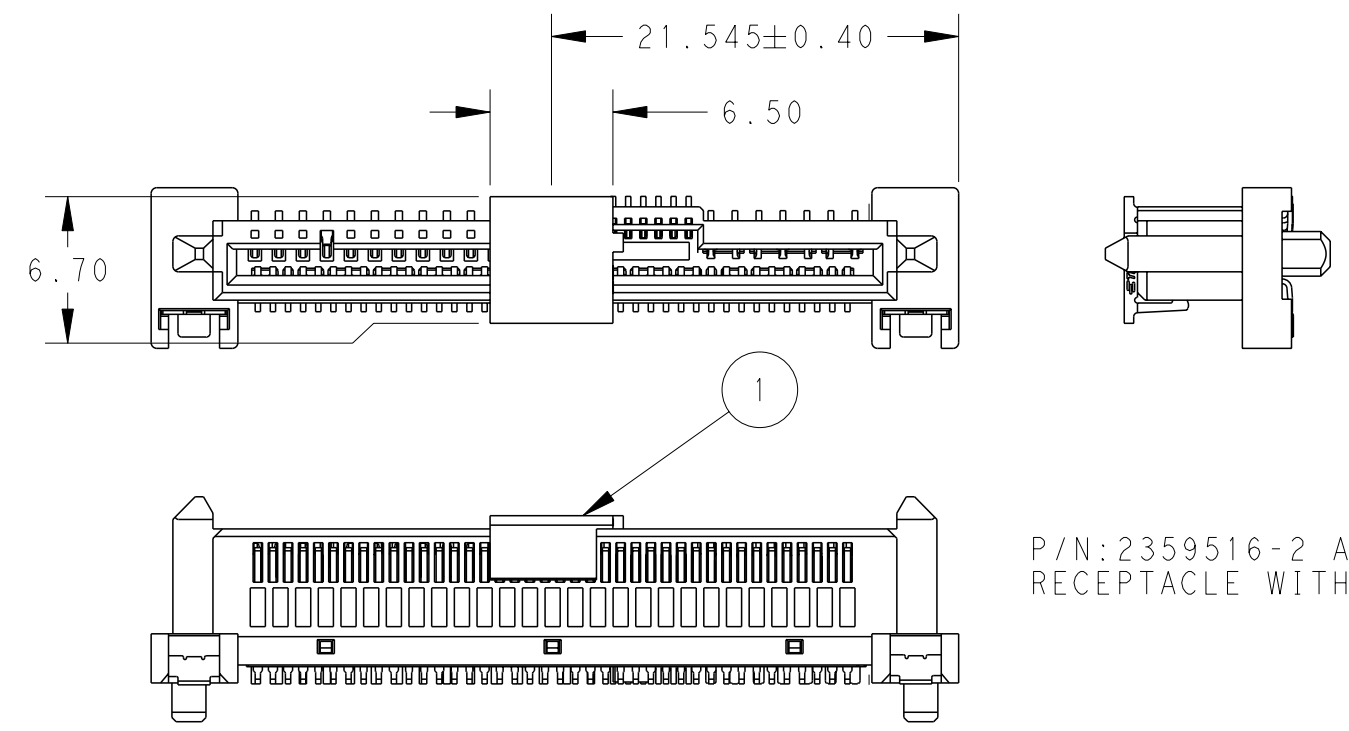


TRAY	YES	2359516-3
TAPE & REEL	YES	2359516-2
TRAY	NO	2359516-1
PACKAGING	PICK-UP CAP (1)	PART NUMBER

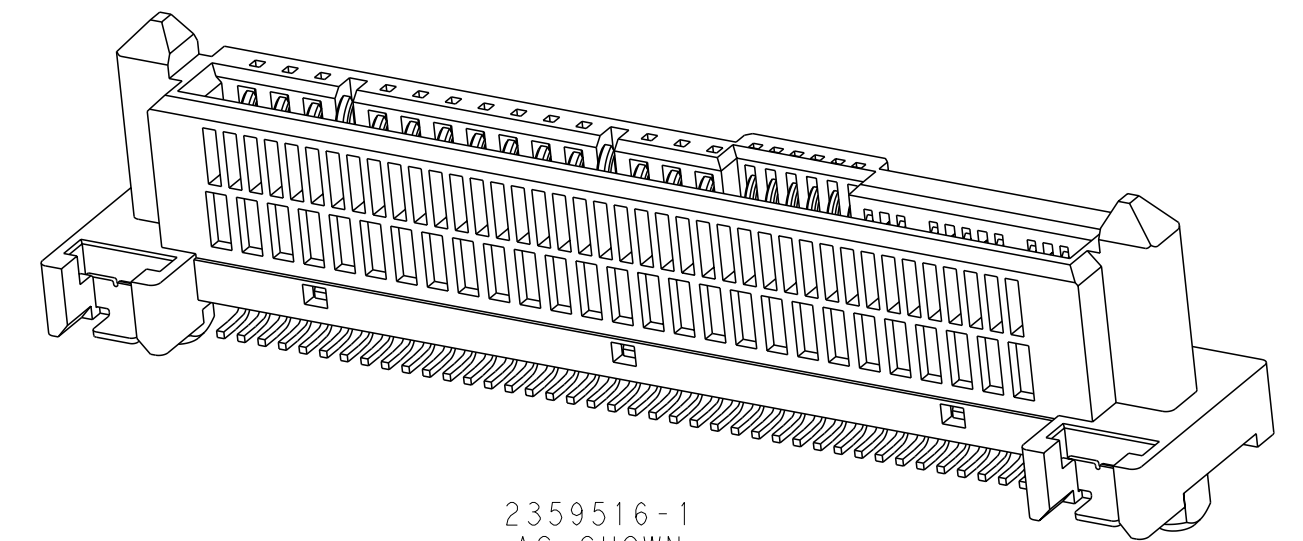
THIS DRAWING IS A CONTROLLED DOCUMENT.		DWN TIM XUE 23MAY2019	TE Connectivity	
DIMENSIONS: mm		CHK SEAN HAN 23MAY2019		
TOLERANCES UNLESS OTHERWISE SPECIFIED:		APVD S. HAN 23MAY2019	NAME SFF-8639 GEN4 RECEPTACLE CONN	
0 PLC ± 1 PLC ±0.20 2 PLC ±0.20 3 PLC ±0.20 4 PLC ±		PRODUCT SPEC	SIZE CAGE CODE DRAWING NO RESTRICTED TO	
ANGLES ±3° FINISH		APPLICATION SPEC	A200779 C-2359516	
MATERIAL		WEIGHT	SCALE 2:1 SHEET 1 OF 2 REV A	
CUSTOMER DRAWING				

THIS DRAWING IS UNPUBLISHED. RELEASED FOR PUBLICATION 20
COPYRIGHT 20 BY - ALL RIGHTS RESERVED.

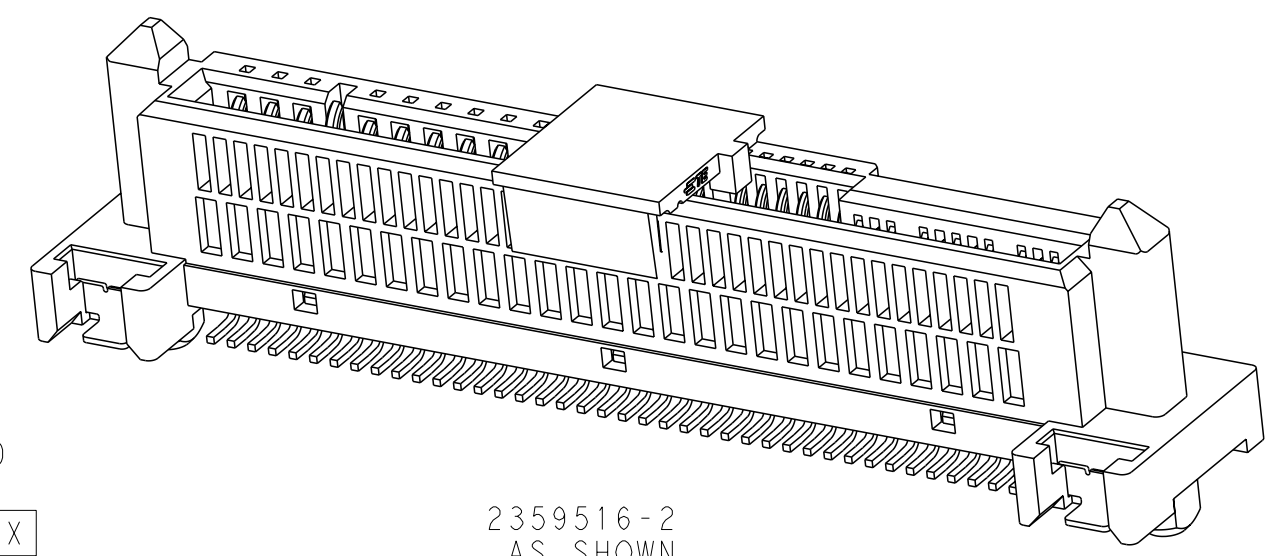
LOC		DIST		REVISIONS				
P	LTR	DESCRIPTION	DATE	DWN	APVD			
-	-	SEE SHEET 1	-	-	-			



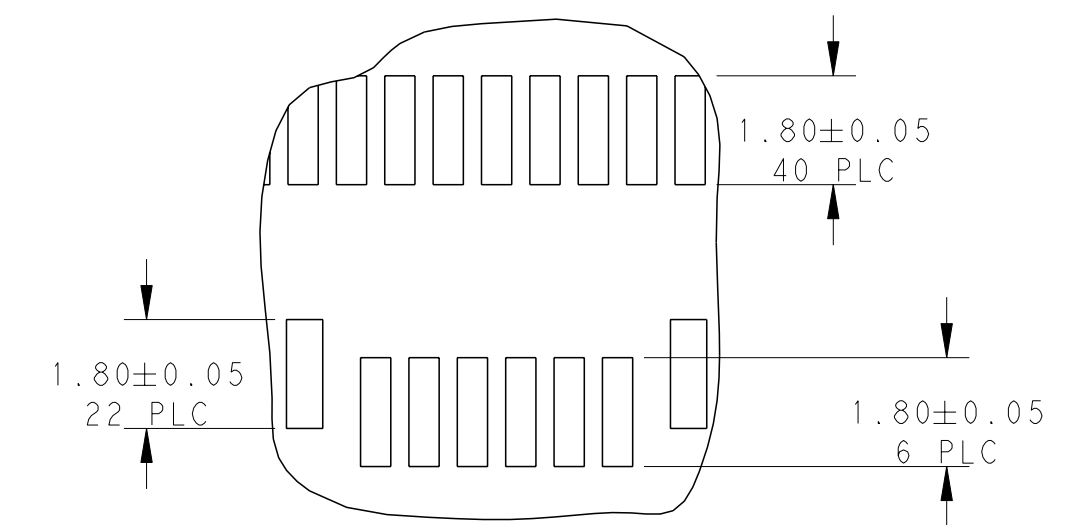
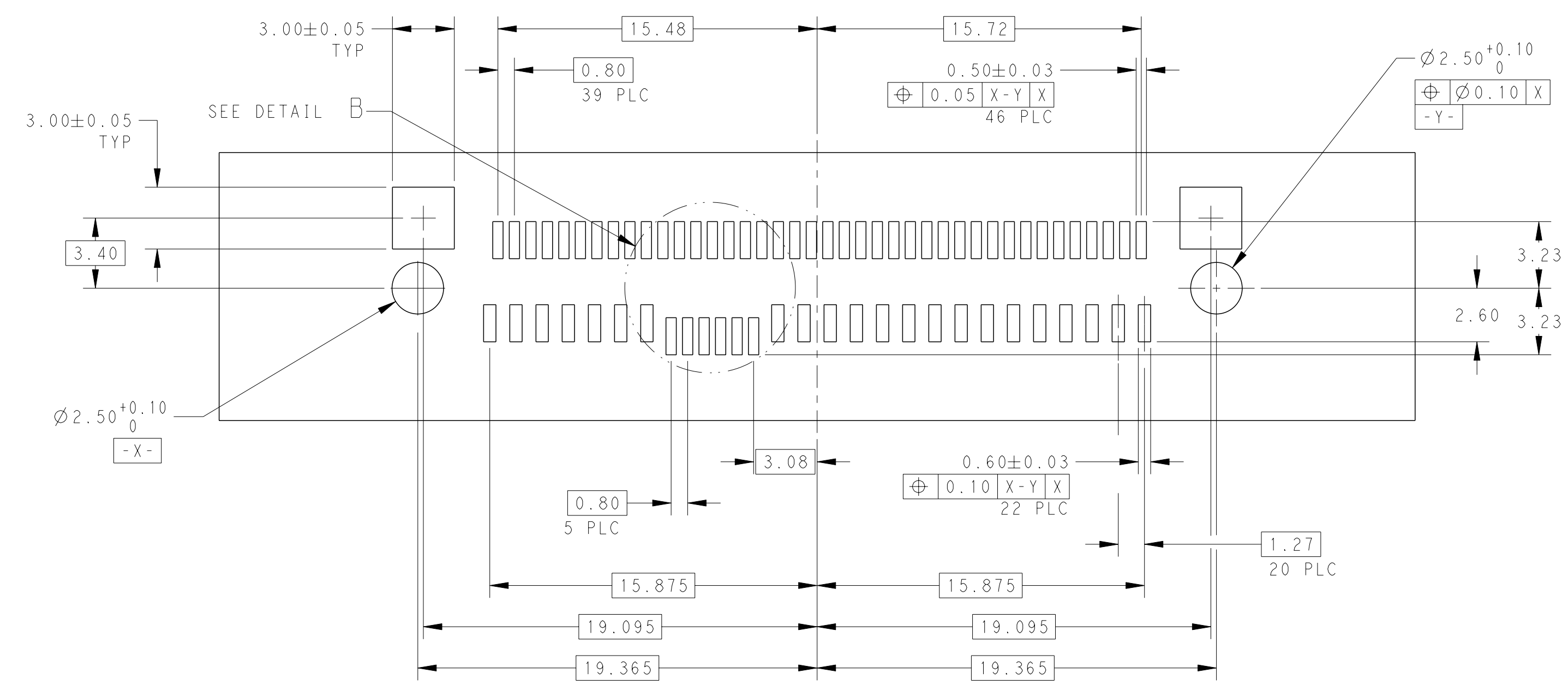
P/N: 2359516-2 AS SHOWN
RECEPTACLE WITH PICK-UP CAP



2359516-1
AS SHOWN
SCALE 4:1



2359516-2
AS SHOWN
SCALE 4:1



DETAIL B
SCALE 8:1

RECOMMENDED RECEPTACLE BOARD LAYOUT
TOLERANCE FOR PCB: ±0.05
SCALE 5:1

THIS DRAWING IS A CONTROLLED DOCUMENT.		DWN	TIM XUE	23MAY2019	TE Connectivity		
DIMENSIONS: mm		CHK	SEAN HAN	23MAY2019			
TOLERANCES UNLESS OTHERWISE SPECIFIED:		APVD	S. HAN	23MAY2019	NAME		
0 PLC ±		PRODUCT SPEC		SFF-8639 GEN4 RECEPTACLE CONN			
1 PLC ±0.20		APPLICATION SPEC		SIZE	CAGE CODE	DRAWING NO	RESTRICTED TO
2 PLC ±0.20		WEIGHT		A200779		C-2359516	-
3 PLC ±0.20		CUSTOMER DRAWING		SCALE	2:1	SHEET	2 OF 2
4 PLC ±		SCALE		2:1		SHEET	2 OF 2
ANGLES ±3°		REV		A			
FINISH							

X-ON Electronics

Largest Supplier of Electrical and Electronic Components

Click to view similar products for [Board to Board & Mezzanine Connectors](#) category:

Click to view products by [TE Connectivity](#) manufacturer:

Other Similar products are found below :

[589158040000018](#) [MDF7C-18P-2.54DSA\(55\)](#) [FCN-230C068-11](#) [FCN-268F012-G/BD](#) [FCN-268F036-G/BD](#) [FCN-268M012-G/0D](#) [FCN-268M024-G/1D](#) [FCN-723J004/1](#) [MIS-048-01-F-D-DP-K](#) [832-10-034-10-001000](#) [FX4C-80S-1.27DSA](#) [FCN-214Q030-G/0](#) [FCN-234P048-G/0](#) [FCN-235D050-G/C](#) [210-93-314-41-105000](#) [2-22603-0](#) [MDF7-40DP-2.54DSA\(55\)](#) [AXG720047](#) [5031084030](#) [MIT-114-03-F-D-K](#) [55323-1519](#) [DF33-2P-3.3DSA\(24\)](#) [YFT-20-05-H-03-SB-K](#) [503308-3040](#) [026-6203-PDB](#) [027-6203-PDB](#) [069159702701000](#) [10123981-102LF](#) [101A10019X](#) [55650-0588-C](#) [68682-310LF](#) [68684-306](#) [75140-7012](#) [87471-650](#) [194261-1](#) [FCN-268F024-G0D](#) [10124054-515LF](#) [68685-603](#) [8-1616154-3](#) [MIS-019-01-F-D](#) [FCN-268M024-G/3D](#) [20021832-06016C1LF](#) [KX15-20KLDL-E1000E](#) [MDF7-16DP-2.54DSA\(55\)](#) [AXE810124](#) [FCN-214J100-G/0](#) [FCN-230C068-E/S](#) [AXE812124](#) [AXE816124](#) [AXE720127](#)