

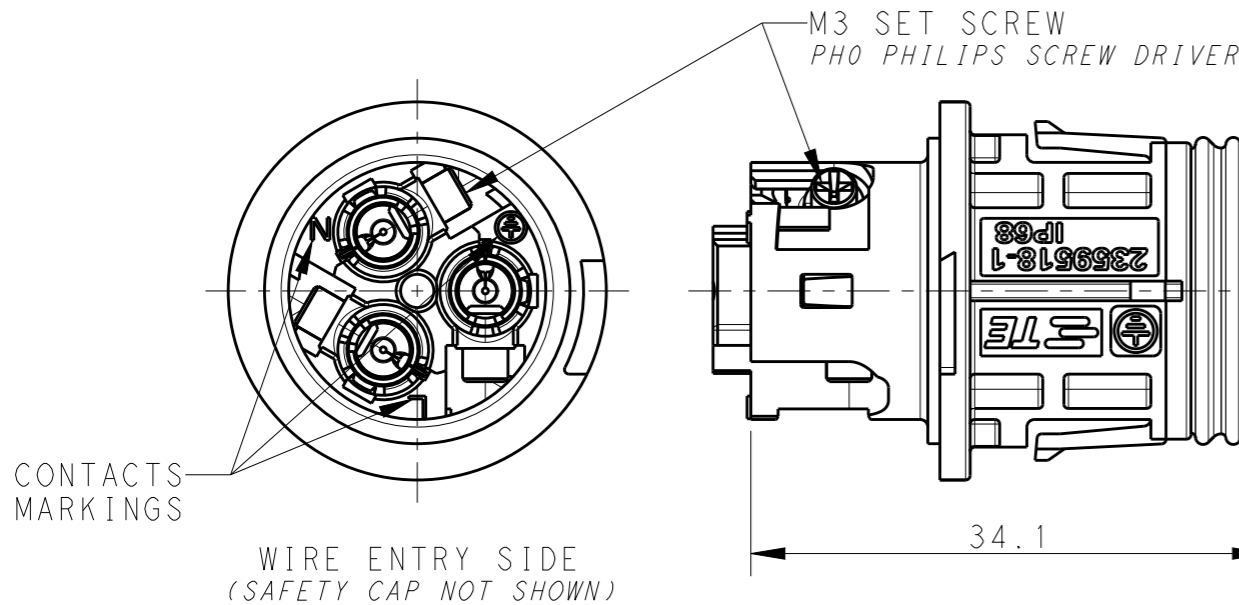
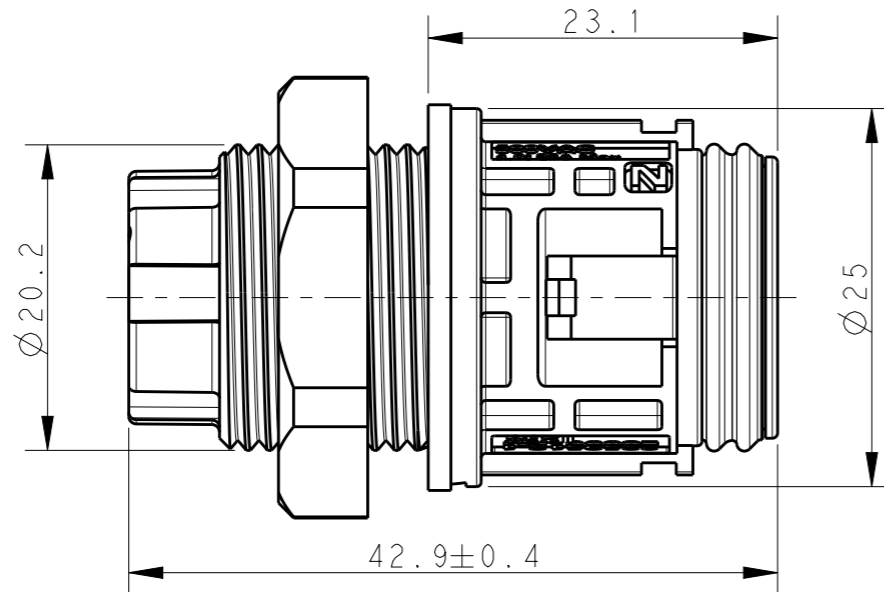
P	LTR	DESCRIPTION	DATE	DWN	APVD
1		INITIAL ISSUE	19AUG2020	SM	MZ
2		DRAFTING UPDATES	03SEP2020	SM	MZ
A		PRODUCT UNDER TESTING	24NOV2020	SM	MZ

NOTES:

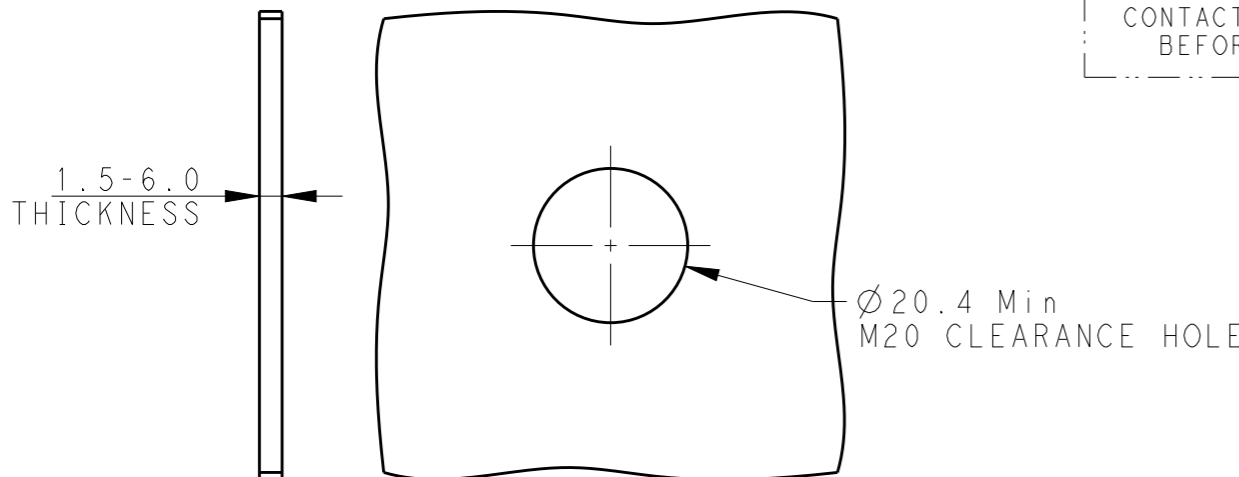
1. PART NUMBERS: 1-2359518-1 AND 1-2359518-2 ARE CRIMPED CONTACT VERSIONS. CONTACTS SUPPLIED SEPARATELY ON REELS, MUST PURCHASED ACCORDING TO WIRE SIZES. BELOW ARE THE CONTACT PART NUMBERS:

CONTACT P/N	WIRE SIZE
2359528-1	1.5mm ² TO 2.5mm ² 16AWG TO 14AWG
2359528-2	2.5mm ² TO 4.0mm ² 14AWG TO 12AWG

- MATERIALS:
PLASTICS: PBT+PC ALLOY, UL-V0, UV-F1
CONTACTS: COPPER ALLOY, TIN PLATED
SCREWS : STAINLESS STEEL
- OPERATING RATINGS :
VOLTAGE (max): 600Vac Max
CURRENT (max): 25A ON 4.0mm² & 20A ON 12AWG
TEMPERATURE : -40°C TO 85°C
IP RATING : IP67 & IP68
- FOR ASSEMBLY INSTRUCTIONS, REFER APPLICATION SPECIFICATION 114-133123
- PACKAGING: MOQ 200 pcs IN PE BAG



PANEL CUT-OUT RECOMMENDED SIZE



PRODUCT UNDER TESTING

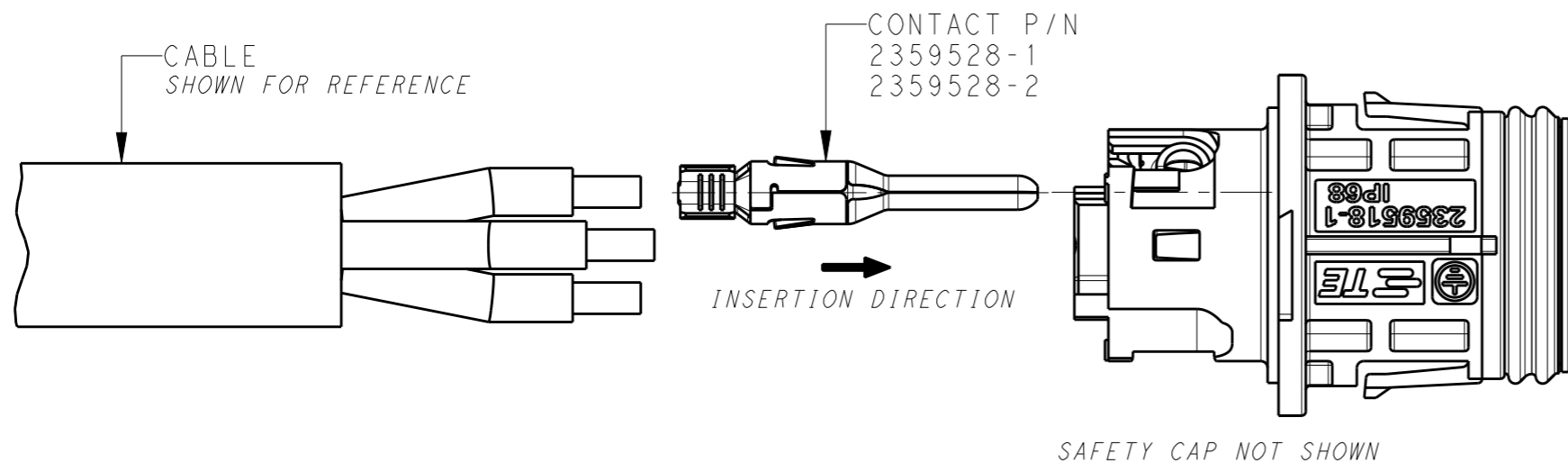
CONTACT PRODUCT ENGINEERING BEFORE USING THIS PRINT

KEY	TERMINATION TYPE	DESCRIPTION	PART NUMBER
KEY B	CRIMP	PANEL MOUNT PIN CONNECTOR	1-2359518-2
KEY A			1-2359518-1
KEY B	SCREW		2359518-2
KEY A			2359518-1

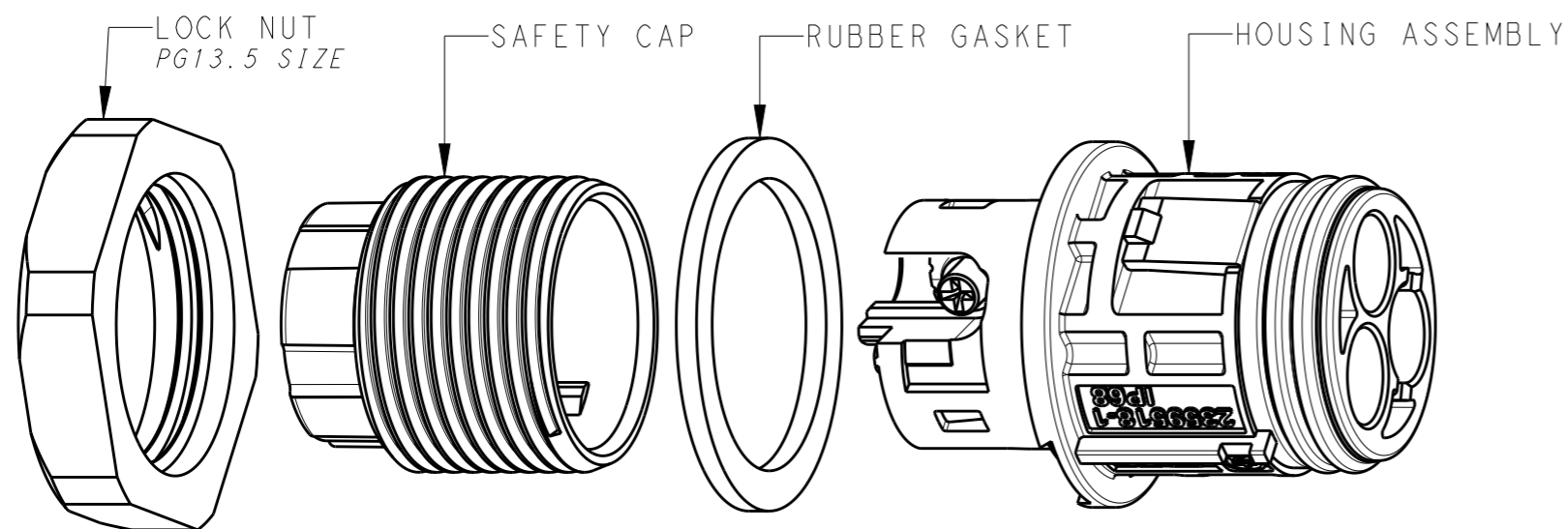
THIS DRAWING IS A CONTROLLED DOCUMENT.		DWN 19AUG2020 SUBHASH.M	TE Connectivity	
DIMENSIONS: mm		CHK 03SEP2020 M. ZUCCA		
TOLERANCES UNLESS OTHERWISE SPECIFIED:		APVD 24NOV2020 PETER OTT	NAME NECTOR T, 3Pos, PIN CONNECTOR PANEL MOUNT	
0 PLC ±0.2	1 PLC ±0.2	PRODUCT SPEC 108-133123	SIZE A3	CAGE CODE 00779
2 PLC ±0.1	3 PLC ±	APPLICATION SPEC 114-133123	DRAWING NO C-2359518	RESTRICTED TO -
4 PLC ±	ANGLES ±°	WEIGHT -	SCALE 2:1	SHEET 1 OF 2
MATERIAL -	FINISH -	CUSTOMER DRAWING	REV A	

CRIMP TERMINATION TYPE
 1-2359518-1 & 1-2359518-2
 REFER 114-133123 FOR DETAILED INSTRUCTION

REVISIONS					
P	LTR	DESCRIPTION	DATE	DWN	APVD
-		SEE SHEET 1	-	-	-

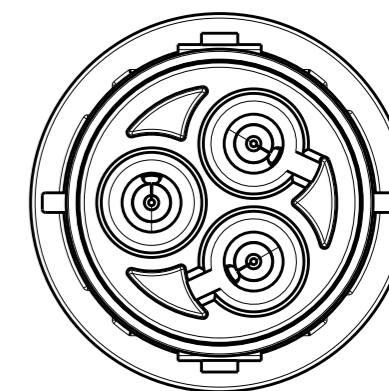
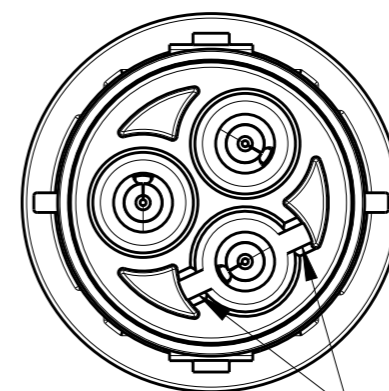


EXPLODED COMPONENTS



POLARIZING KEY A
 2359518-1
 1-2359518-1

POLARIZING KEY B
 2359518-2
 1-2359518-2



KEYS

THIS DRAWING IS A CONTROLLED DOCUMENT.		DWN SUBHASH.M 19AUG2020	TE Connectivity				
DIMENSIONS: mm		CHK M. ZUCCA 03SEP2020					
TOLERANCES UNLESS OTHERWISE SPECIFIED:		APVD PETER OTT 24NOV2020	NAME NECTOR T, 3Pos, PIN CONNECTOR PANEL MOUNT				
0 PLC ±0.2 1 PLC ±0.2 2 PLC ±0.1 3 PLC ± 4 PLC ± ANGLES ±1°		PRODUCT SPEC 108-133123	SIZE A3	CAGE CODE 00779	DRAWING NO C-2359518	RESTRICTED TO -	
MATERIAL -		FINISH -	WEIGHT -	SCALE 2:1		SHEET 2 OF 2	REV A
		CUSTOMER DRAWING					

X-ON Electronics

Largest Supplier of Electrical and Electronic Components

Click to view similar products for [Lighting Connectors](#) category:

Click to view products by [TE Connectivity](#) manufacturer:

Other Similar products are found below :

[293300-7](#) [293660-5](#) [CNX_H03_NTP](#) [30-9767-BU](#) [3605](#) [3-21030-1](#) [ZCH-110-RGB-I](#) [503471-0290](#) [ZCH-110-RGB-J](#) [217-0716-200](#)
[1954563-1](#) [1-293657-2](#) [2834036-1](#) [2834037-1](#) [1-2213222-4](#) [2-2213222-4](#) [2213222-4](#) [2834122-3](#) [2834122-5](#) [2834135-2](#) [FLA-R4142-30](#)
[FLA-R4162-30](#) [FLA-R2142-30](#) [FLA-R2141-30](#) [FLA-R2162-30](#) [FLA-R2161-30](#) [FLA-R0161-30](#) [FLA-R0141-30](#) [FLA-R0142-30](#) [FLA-](#)
[R0162-30](#) [FLA-C00-00](#) [DGA00010553](#) [CNXV04NTP](#) [104128-0610](#) [503485-0000 \(Cut Strip\)](#) [503485-0000 \(Loose Piece\)](#) [503485-0000](#)
[\(MINI Reel\)](#) [1-2834074-2](#) [1-2834074-3](#) [1357-AC PLUG W2C \(CHINA\)](#) [1357-AC PLUG W2 \(USA\)](#) [104266-0110](#) [2106212-1](#) [2-2834074-2](#)
[104266-0210](#) [293470-1](#) [293651-2](#) [293651-4](#) [1-2834006-2](#) [293651-1](#)