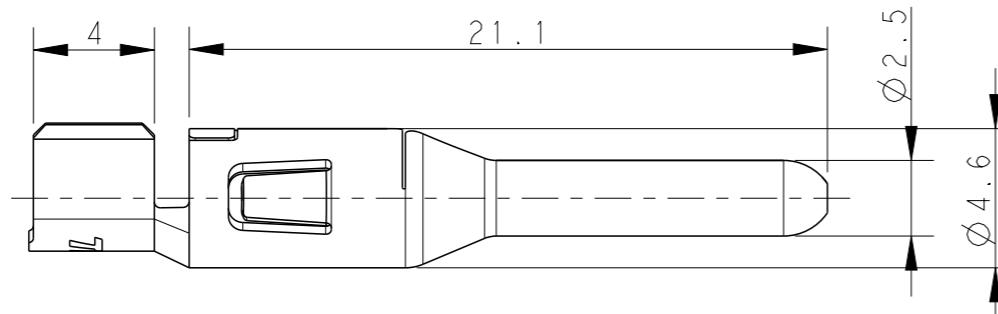
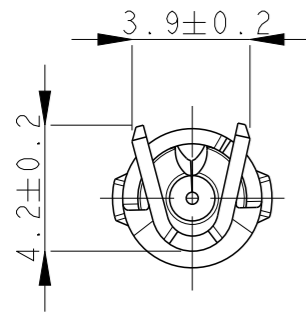
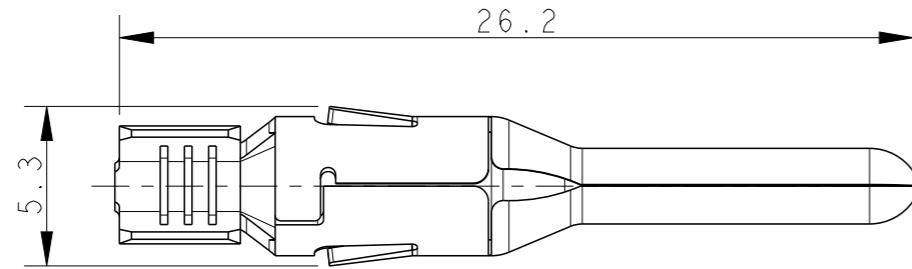
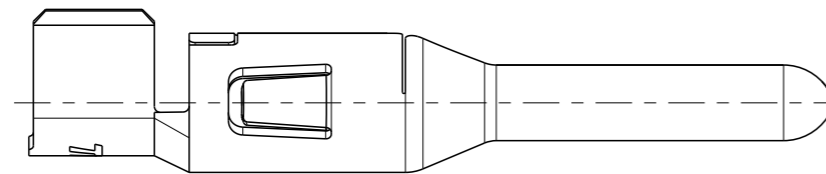
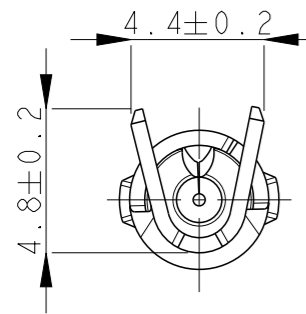


P	LTR	DESCRIPTION	DATE	DWN	APVD
1		INITIAL ISSUE	20AUG2020	SM	MZ
A		RELEASED TO PRODUCTION	26NOV2020	SM	MZ
A1		2359528-3 P/N ADDED FOR 18AWG	02JUN2021	SM	MZ
A2		18AWG RELEASED FOR PRODUCTION	28JAN2022	DM	SM

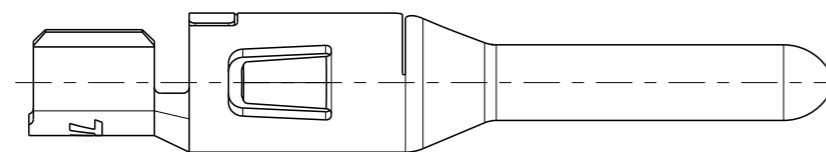
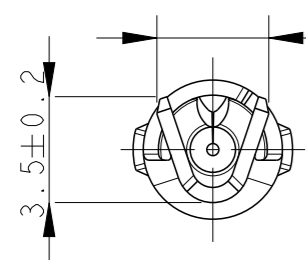
P/N 2359528-1



P/N 2359528-2

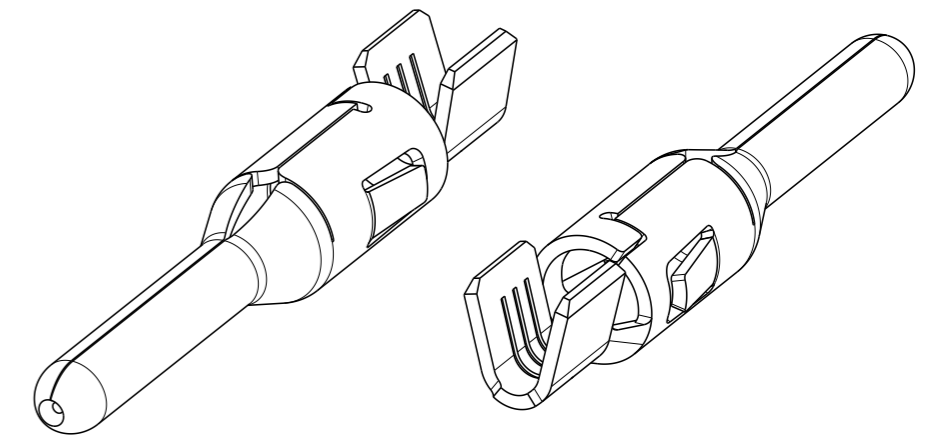


P/N 2359528-3

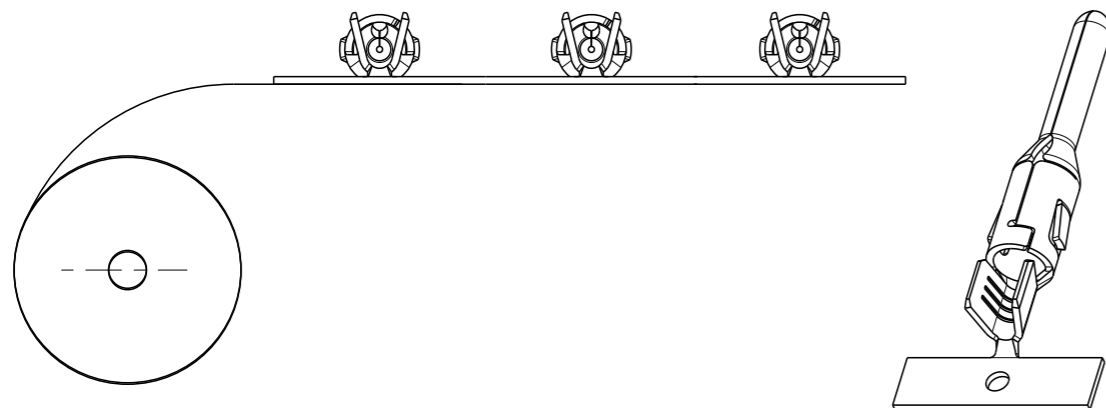


NOTES:

- MATERIAL: COPPER ALLOY, TEMPER >520 MPa
FINISH : BRIGHT TIN
- OPERATING RATINGS:
VOLTAGE (max): 600Vac Max
CURRENT (max): 25A ON 4.0mm² & 20A ON 12AWG
TEMPERATURE : -40°C TO 85°C
- FOR ASSEMBLY & CRIMP INSTRUCTIONS, REFER APPLICATION SPECIFICATION 114-133123
- PACKAGING: CONTACTS ON REEL



CONTACTS SUPPLIED ON REEL
PITCH BETWEEN TWO CONTACTS: 15.0



PRODUCT UNDER TESTING

CONTACT PRODUCT ENGINEERING
BEFORE USING THIS PRINT

CRIMP PIN CONTACT	18 AWG	2359528-3
	4.0 (12 AWG)	2359528-2
	1.5-2.5 (16-14 AWG)	2359528-1
DESCRIPTION	WIRE SIZE mm ² (AWG)	PART NUMBER

THIS DRAWING IS A CONTROLLED DOCUMENT.		DWN 20AUG2020 SUBHASH.M		
DIMENSIONS: mm		CHK 03SEP2020 M. ZUCCA		
TOLERANCES UNLESS OTHERWISE SPECIFIED:		APVD 26NOV2020 PETER OTT	NAME NECTOR T, CRIMP PIN CONTACT	
0 PLC ±0.2		PRODUCT SPEC	108-133123	
1 PLC ±0.1		APPLICATION SPEC	114-133123	
2 PLC ±0.05		WEIGHT	-	
3 PLC ±		CUSTOMER DRAWING	SCALE 4:1	
4 PLC ±		FINISH	SEE NOTES	
ANGLES ±1°		SIZE	A3	
MATERIAL SEE NOTES		CAGE CODE	00779	
FINISH SEE NOTES		DRAWING NO	C-2359528	
		RESTRICTED TO	-	
		SHEET	1 OF 1	
		REV	A2	

X-ON Electronics

Largest Supplier of Electrical and Electronic Components

Click to view similar products for [Lighting Connectors](#) category:

Click to view products by [TE Connectivity](#) manufacturer:

Other Similar products are found below :

[293300-7](#) [293660-5](#) [CNX_H03_NTP](#) [30-9767-BU](#) [3605](#) [3-21030-1](#) [ZCH-110-RGB-I](#) [503471-0290](#) [ZCH-110-RGB-J](#) [217-0716-200](#)
[1954563-1](#) [1-293657-2](#) [2834036-1](#) [2834037-1](#) [1-2213222-4](#) [2-2213222-4](#) [2213222-4](#) [2834122-3](#) [2834122-5](#) [2834135-2](#) [FLA-R4142-30](#)
[FLA-R4162-30](#) [FLA-R2142-30](#) [FLA-R2141-30](#) [FLA-R2162-30](#) [FLA-R2161-30](#) [FLA-R0161-30](#) [FLA-R0141-30](#) [FLA-R0142-30](#) [FLA-](#)
[R0162-30](#) [FLA-C00-00](#) [DGA00010553](#) [CNXV04NTP](#) [104128-0610](#) [503485-0000 \(Cut Strip\)](#) [503485-0000 \(Loose Piece\)](#) [503485-0000](#)
[\(MINI Reel\)](#) [1-2834074-2](#) [1-2834074-3](#) [1357-AC PLUG W2C \(CHINA\)](#) [1357-AC PLUG W2 \(USA\)](#) [104266-0110](#) [2106212-1](#) [2-2834074-2](#)
[104266-0210](#) [293470-1](#) [293651-2](#) [293651-4](#) [1-2834006-2](#) [293651-1](#)