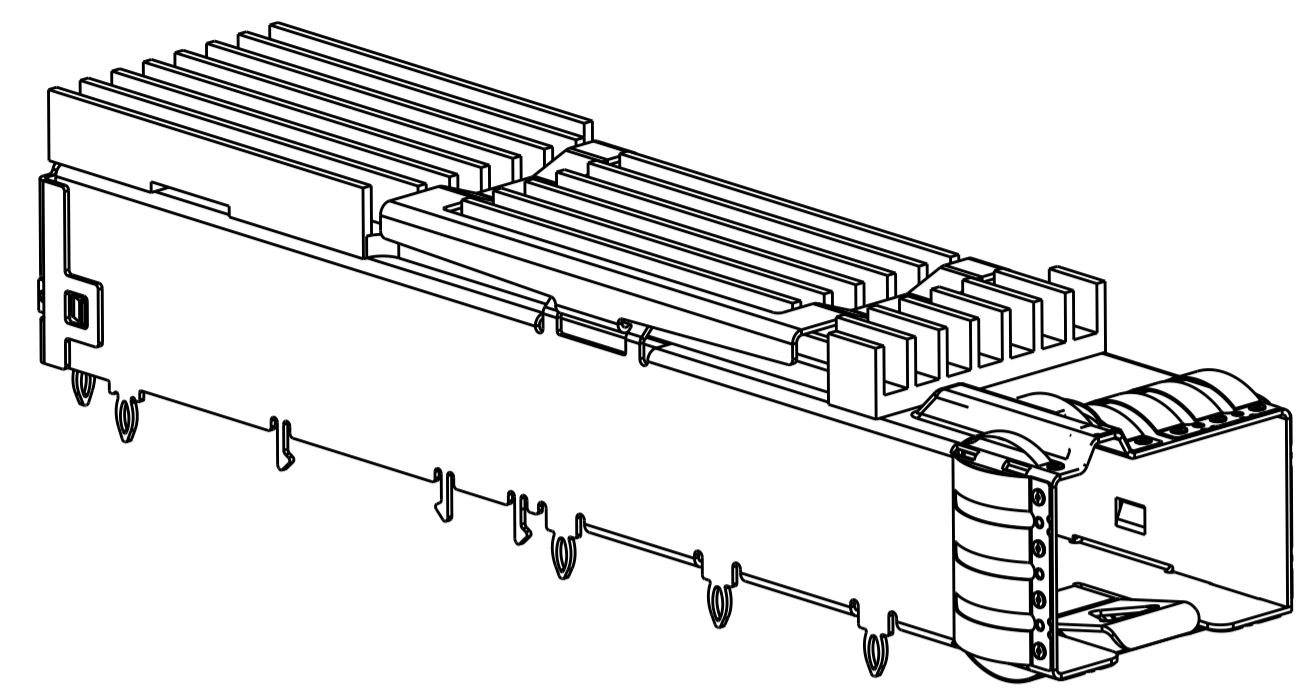
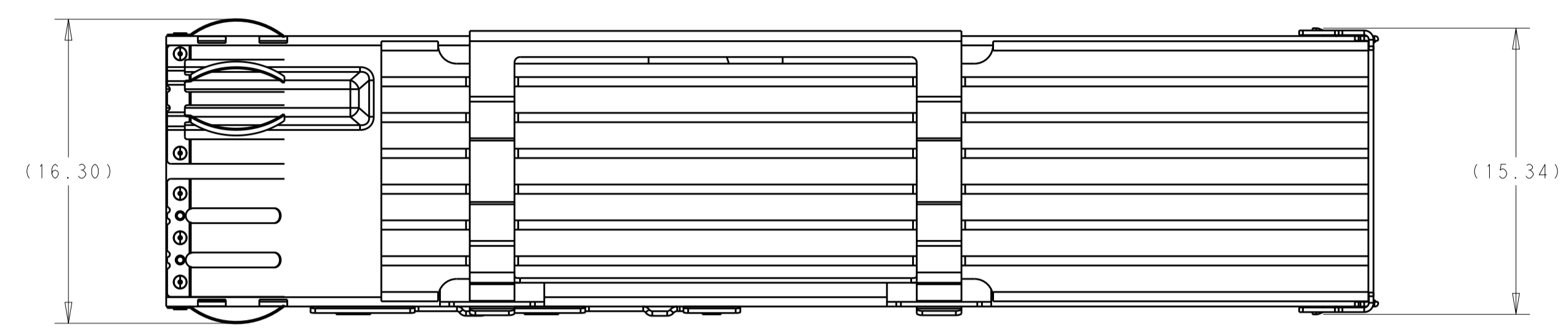


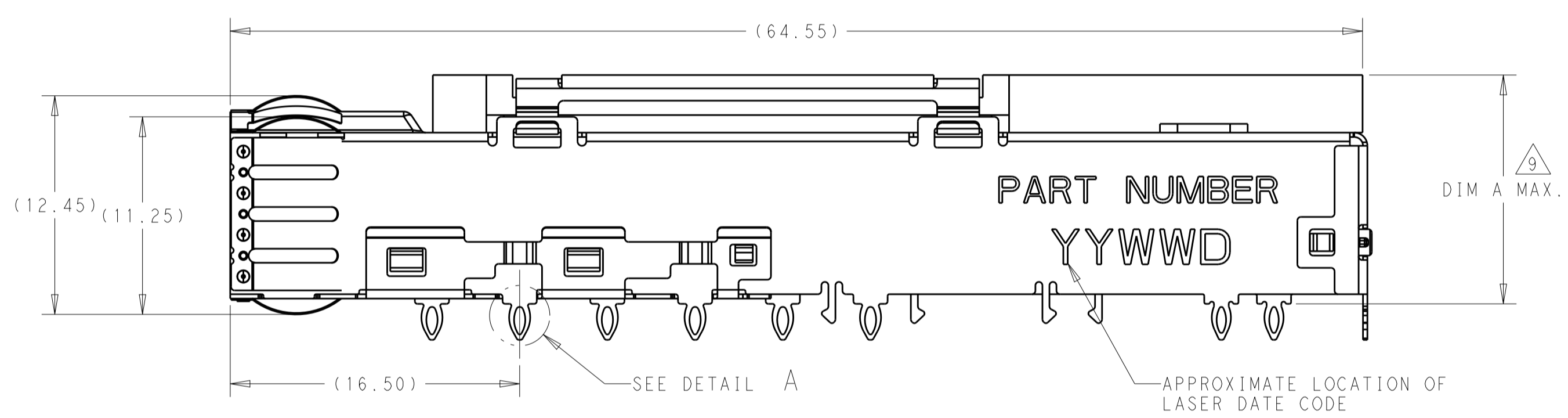
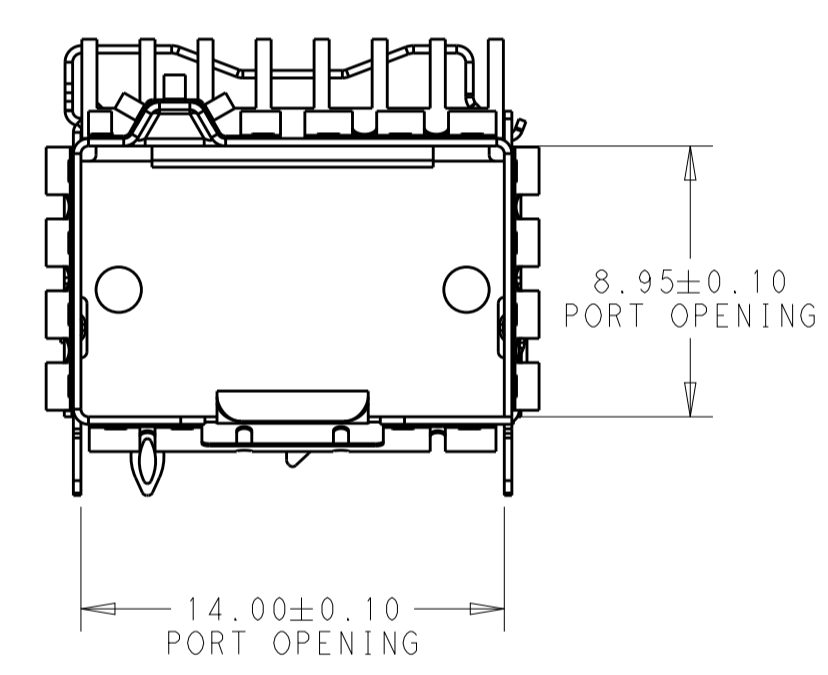
REVISIONS				
P.	LTN.	DESCRIPTION	DATE	APVD.
A		INITIAL RELEASE	18 JUN 2020	AJ SH



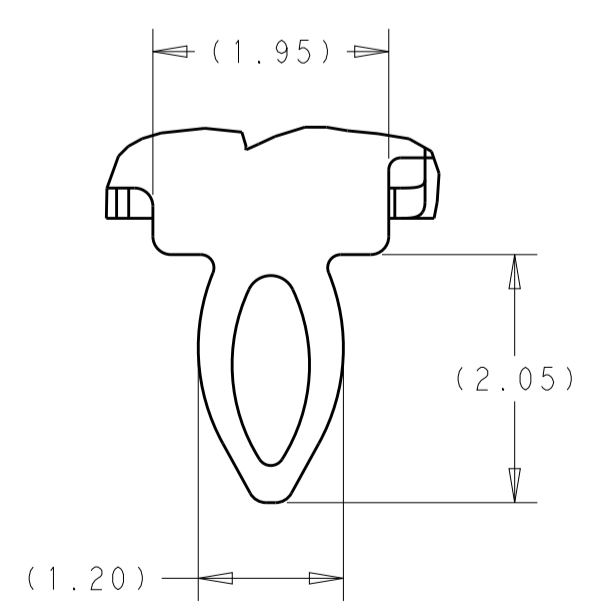
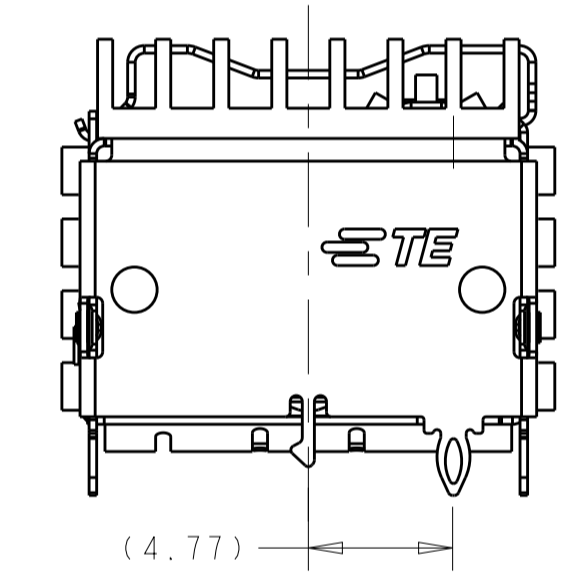
2359845-1 AS SHOWN
SCALE 3:1



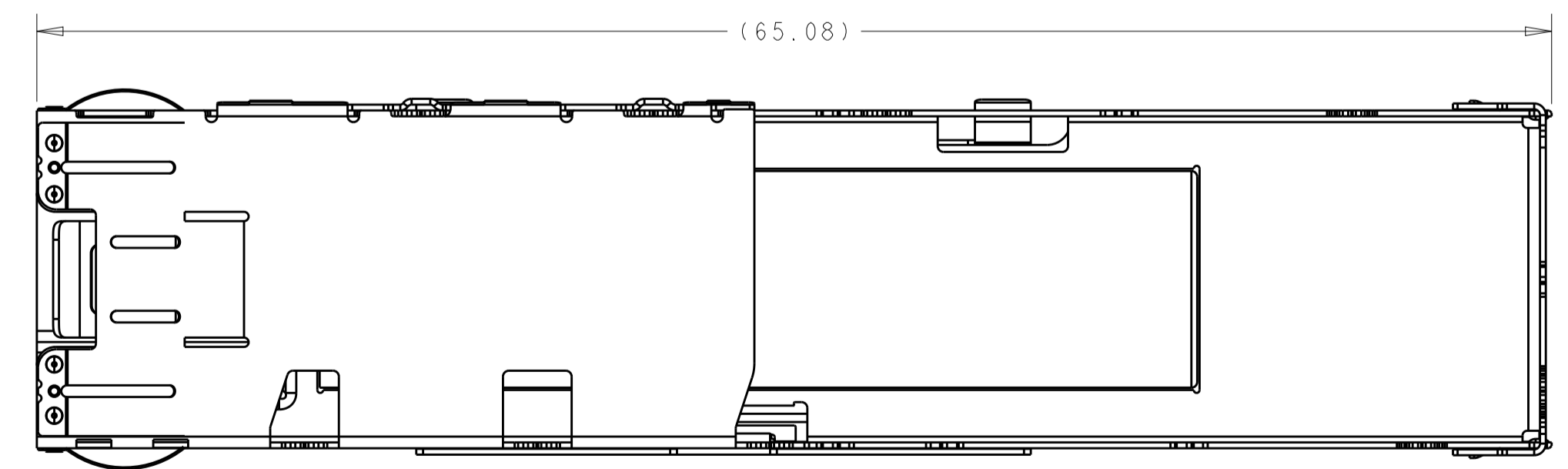
- 1 MATERIAL:
CAGE ASSEMBLY - 0.25mm THICK STAINLESS STEEL.
EMI SPRINGS - COPPER ALLOY.
HEAT SINK - ALUMINUM
CLIP - STAINLESS STEEL.
- 2 FINISH
EMI SPRINGS - NICKEL PLATING, NON-PLATED EDGES PERMISSIBLE.
HEAT SINK - BLACK ANODIZED
- 3. MATES WITH SFP-DD MSA COMPLIANT TRANSCEIVERS.
- 4 DATUM AND BASIC DIMENSION ESTABLISHED BY CUSTOMER.
- 5. MINIMUM PC BOARD THICKNESS:
SINGLE SIDED = 1.57 mm
DOUBLE SIDED = 2.20 mm
- 6 REFERENCE APPLICATION SPEC. 114-60027, HOLE A, FOR RECOMMENDED DRILL HOLE DIAMETER AND PLATING THICKNESS.
- 7 REFERENCE APPLICATION SPEC. 114-60027, HOLE B, FOR RECOMMENDED DRILL HOLE DIAMETER AND PLATING THICKNESS.
- 8. DATUM -A- IS TOP SURFACE OF THE HOST BOARD.
- 9 MAXIMUM HEIGHT WITH MODULE INSERTED.



2359845-1 AS SHOWN
SCALE 4:1



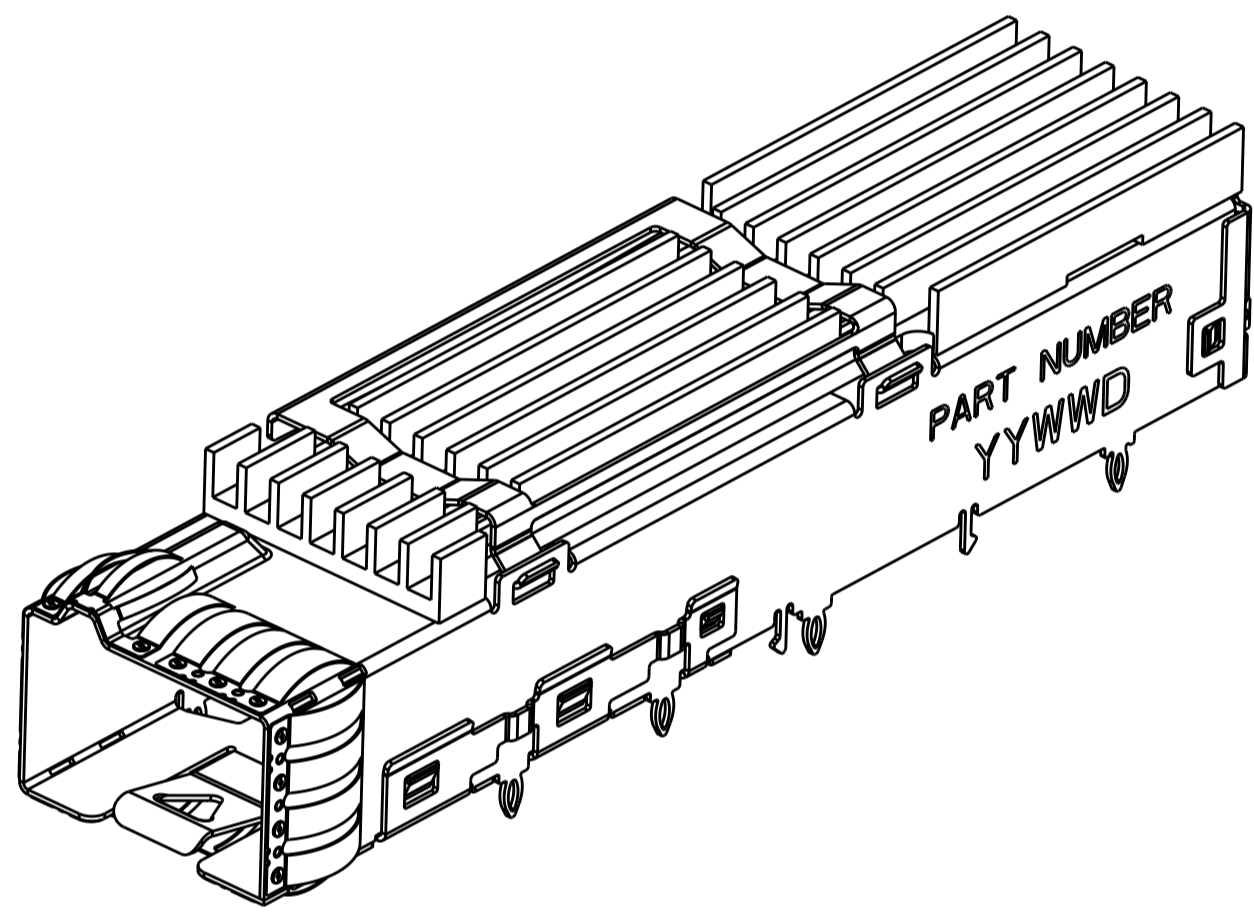
DETAIL A
SCALE 16:1



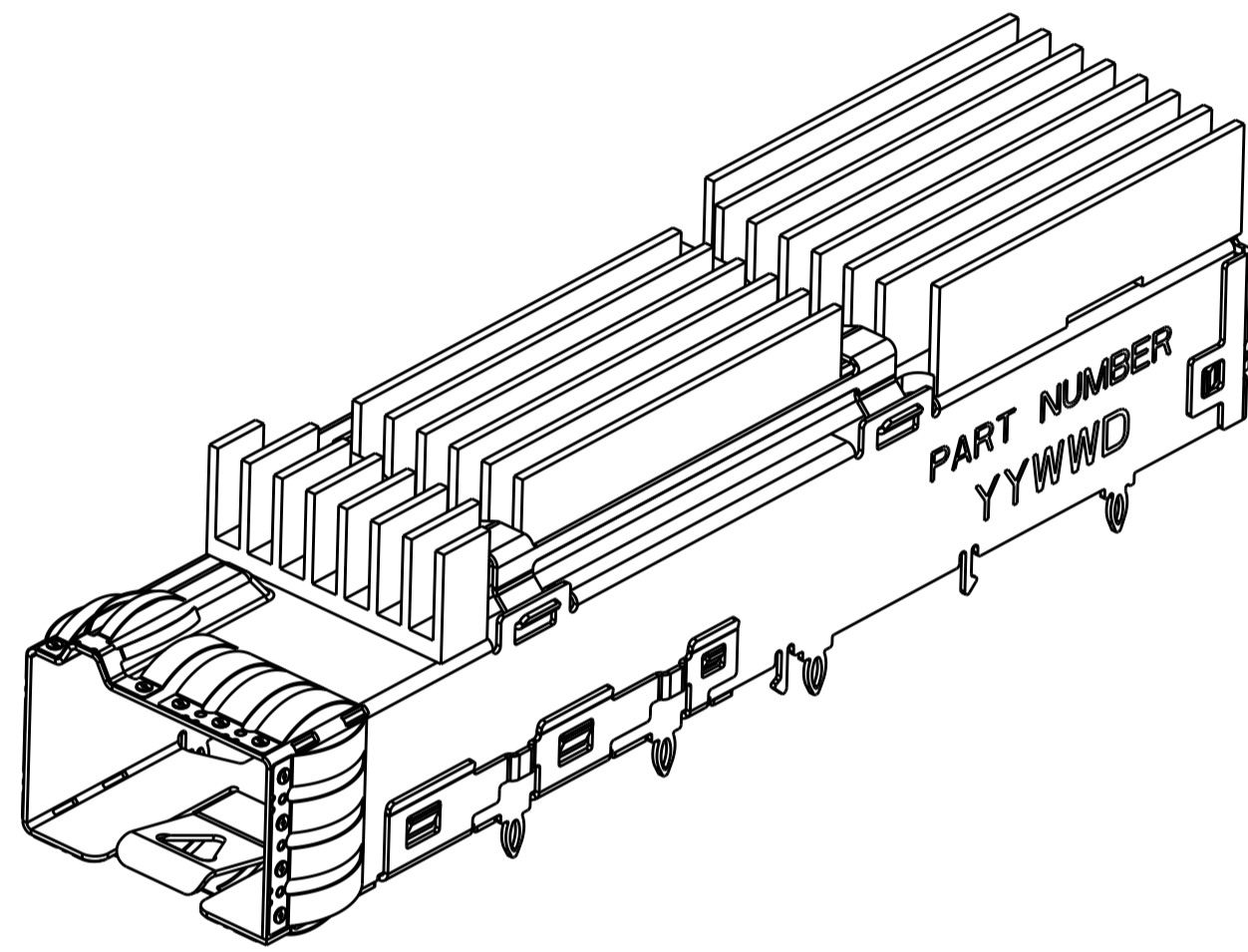
23.00	NET WORKING	2359845-3
16.00	SAN	2359845-2
13.70	PCI	2359845-1
DIM.A	APPLICATION	PART NUMBER

THIS DRAWING IS A CONTROLLED DOCUMENT.		DWN: ARTHUR JIN 16 JUL 2019	NAME: CAGE ASSEMBLY, SFPDD 1X1 STANDARD, W/ GENERAL HS	
DIMENSIONS:		CHK: SEAN HAN 16 JUL 2019	RESTRICTED TO: -	
mm	TOLERANCES UNLESS OTHERWISE SPECIFIED:	APVD: -	SIZE: CAGE CODE: DRAWING NO: A100779C=2359845	
	0 PLC ±	PRODUCT SPEC: 108-60128	SCALE: 3:1 SHEET 1 OF 5 REV A	
	1 PLC ±0.25	APPLICATION SPEC: 114-60027		
	2 PLC ±0.20	WEIGHT: -		
	3 PLC ±0.10	CUSTOMER DRAWING		
	4 PLC ±			
	ANGLES ±			
MATERIAL: -	FINISH: -			

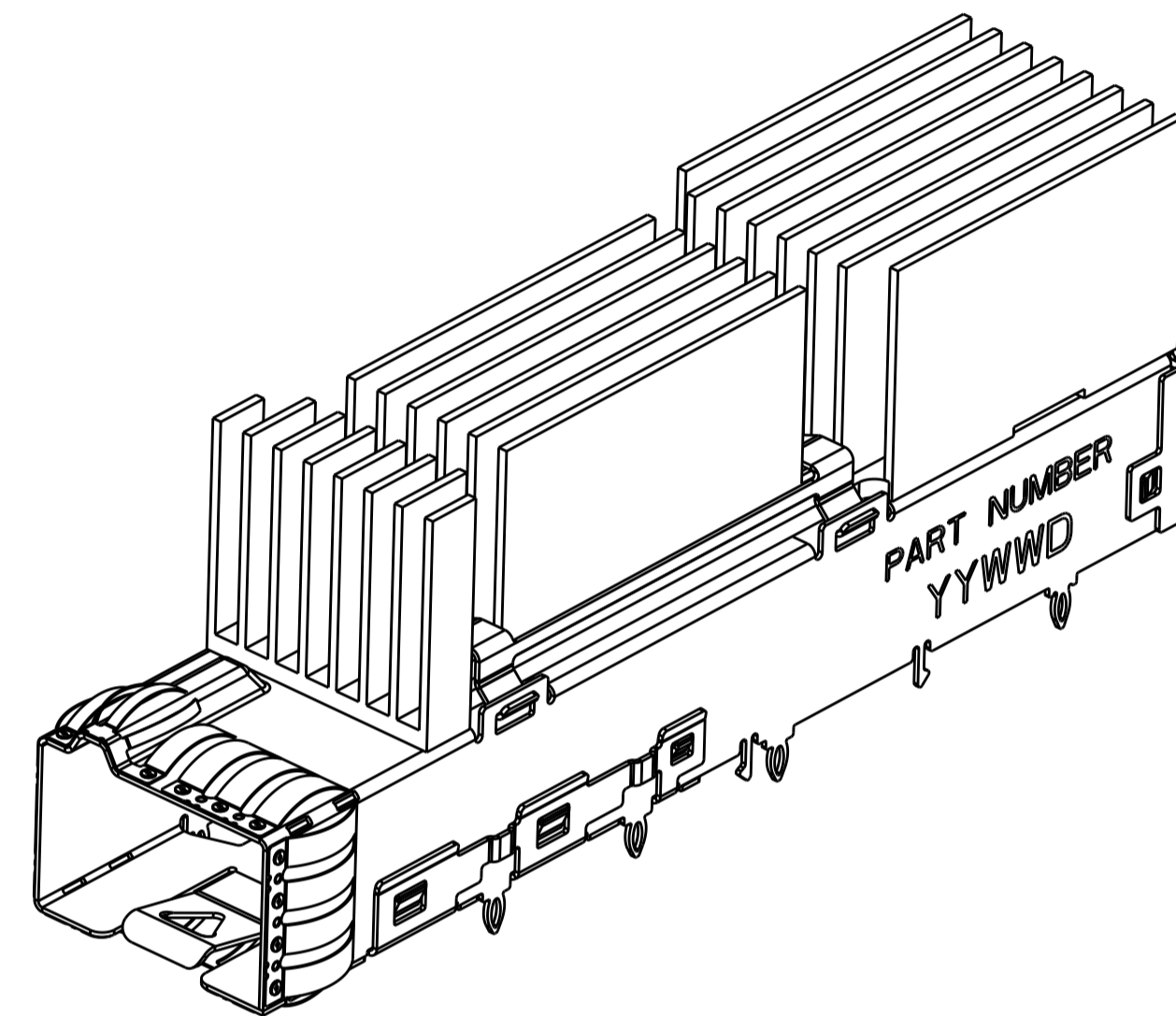
REVISIONS				
P.	LTN	DESCRIPTION	DATE	APVD
		SEE SHEET 1		



2359845-1 AS SHOWN
 W/ PCI HS
 SCALE 3:1



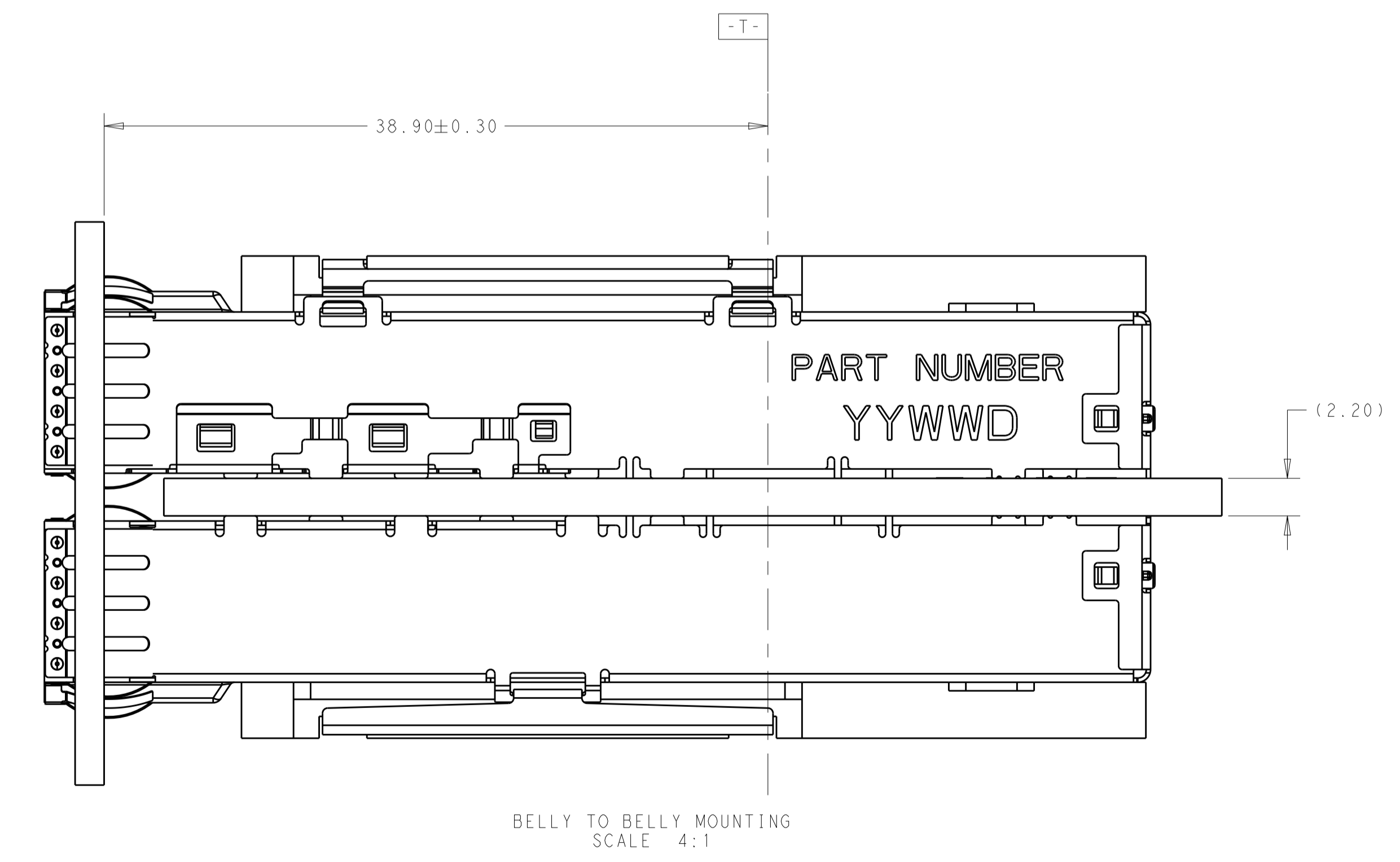
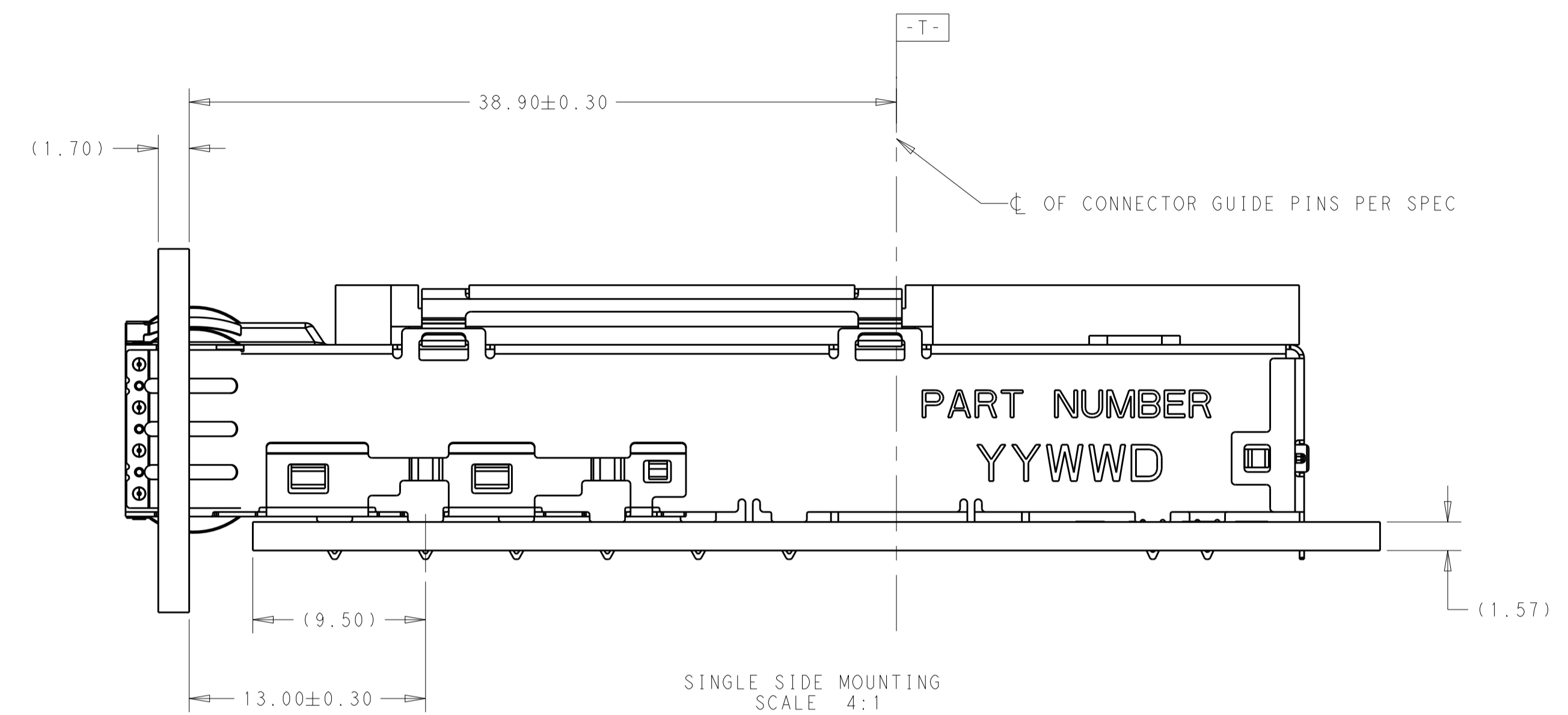
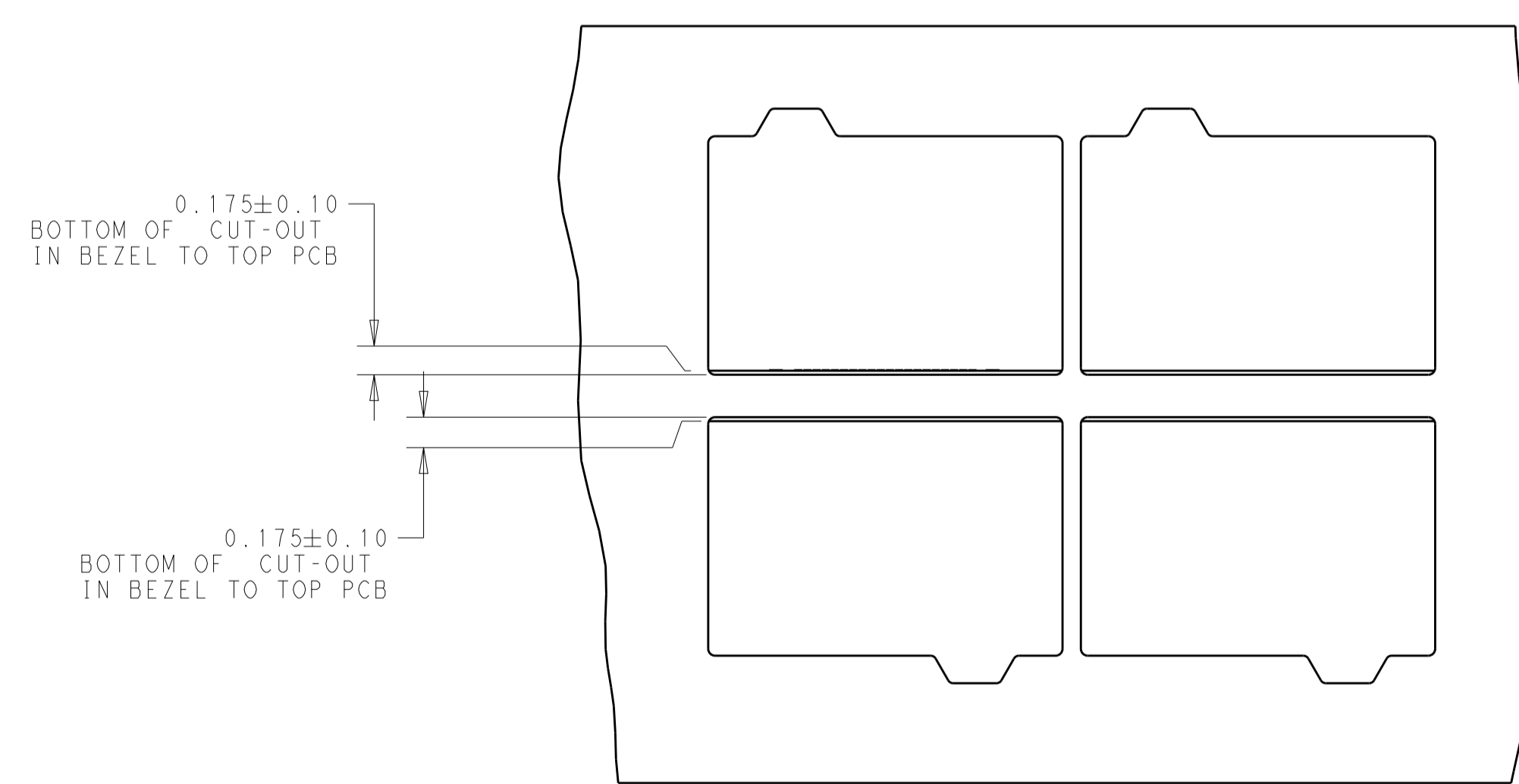
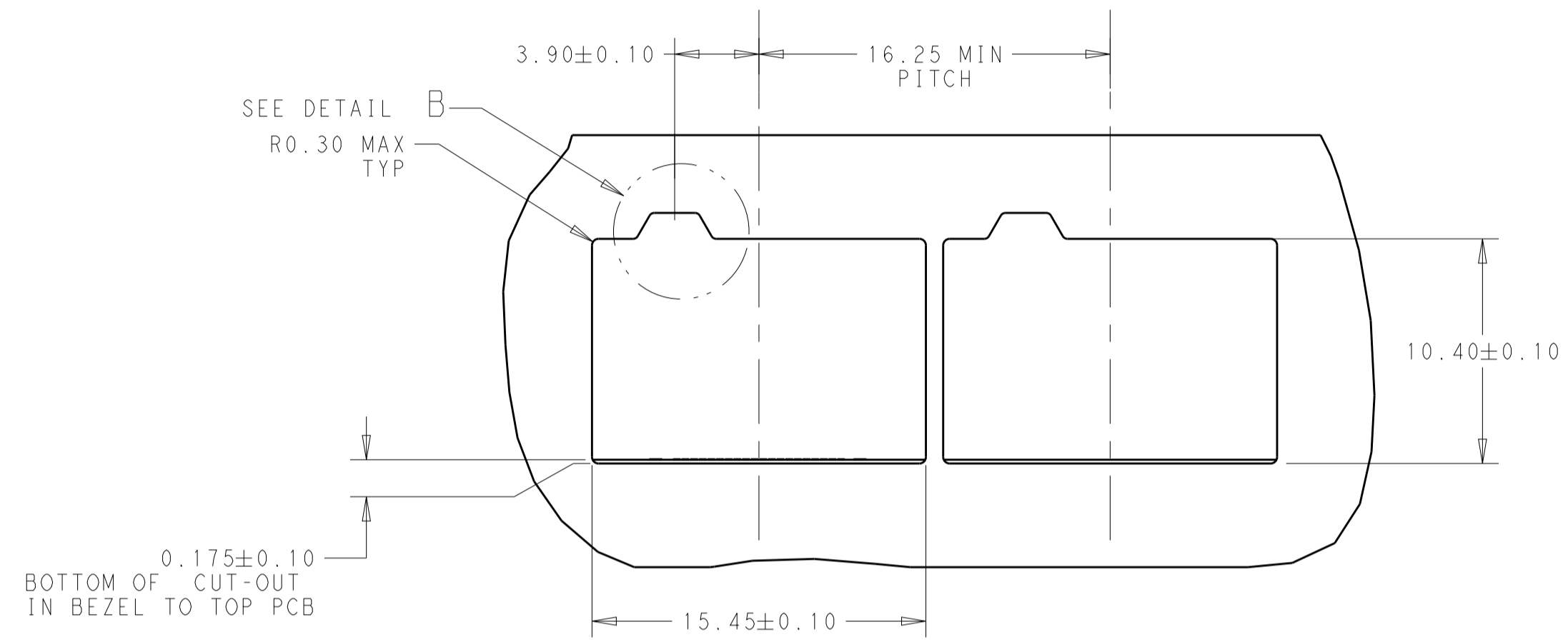
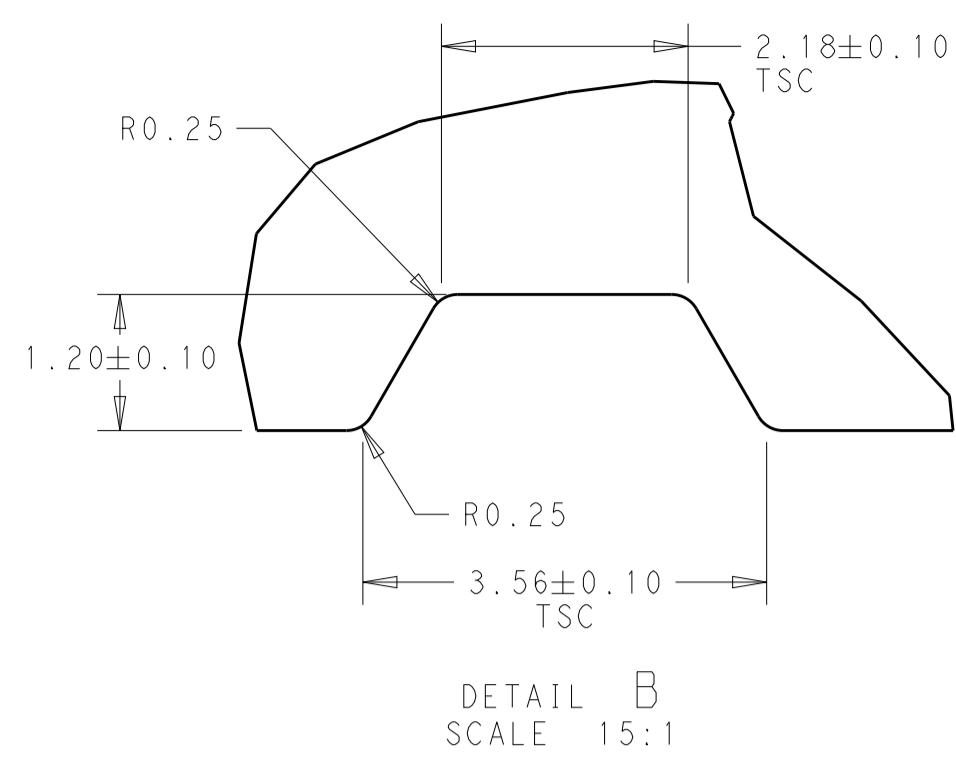
2359845-2 AS SHOWN
 W/ SAN HS
 SCALE 3:1



2359845-3 AS SHOWN
 W/ NET WORKING HS
 SCALE 3:1

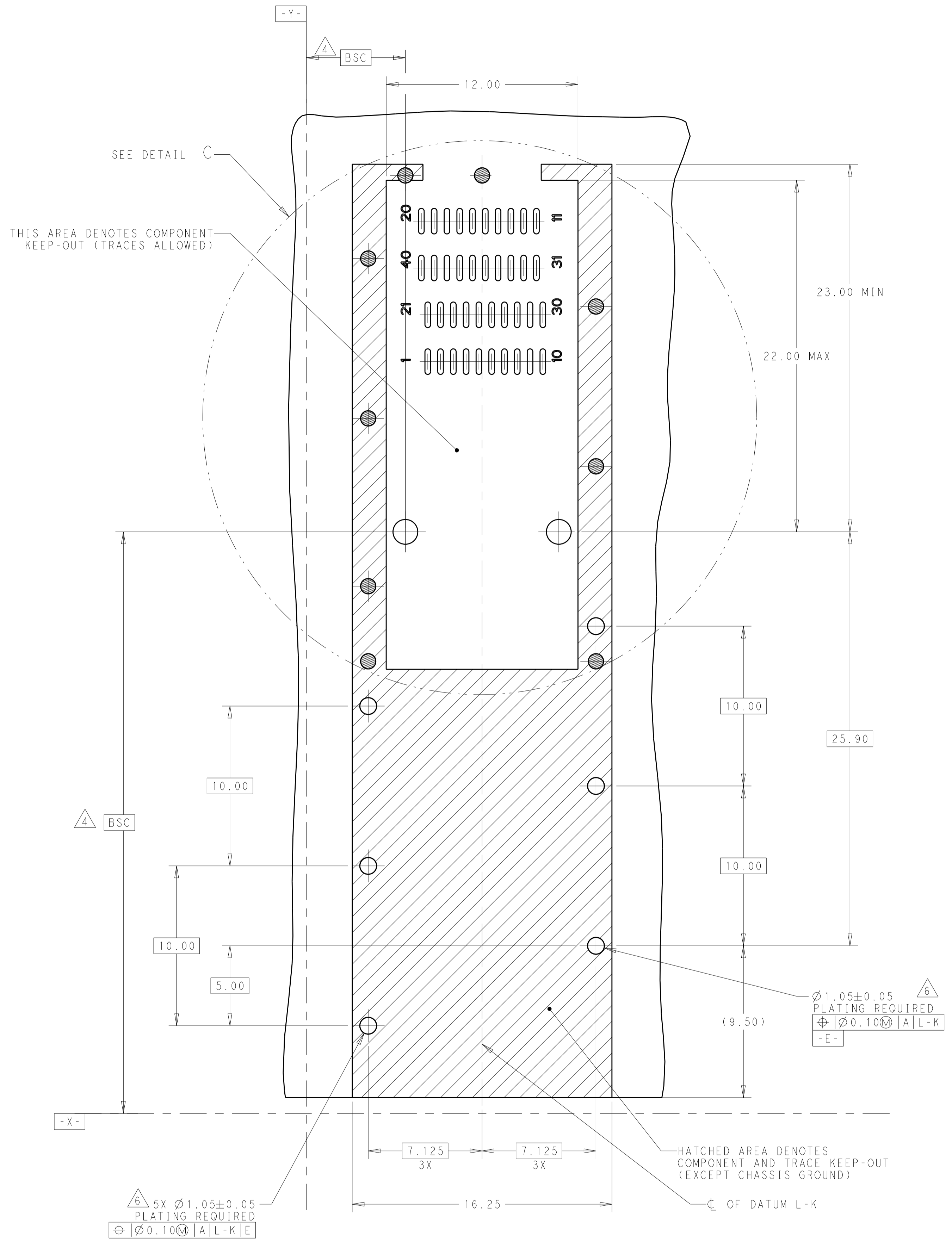
THIS DRAWING IS A CONTROLLED DOCUMENT.		DWN: ARTHUR_JLN 16JUL2019 CHK: SEAN_HAN 16JUL2019 APVD: -		
DIMENSIONS: mm	TOLERANCES UNLESS OTHERWISE SPECIFIED: 0 PLC ±. 1 PLC ±0.25 2 PLC ±0.20 3 PLC ±0.10 4 PLC ±. ANGLES ±. FINISH	PRODUCT SPEC: 108-60128 APPLICATION SPEC: 114-60027 WEIGHT: - CUSTOMER DRAWING		NAME: CAGE ASSEMBLY, SFPDD 1X1 STANDARD, W/ GENERAL HS SIZE: A1 CAGE CODE: 00779 DRAWING NO: C=2359845 RESTRICTED TO: -
		SCALE: 3:1	SHEET: 2 OF 5	REV: A

REVISIONS				
P.	LTR.	DESCRIPTION	DATE	APVD
		SEE SHEET 1		

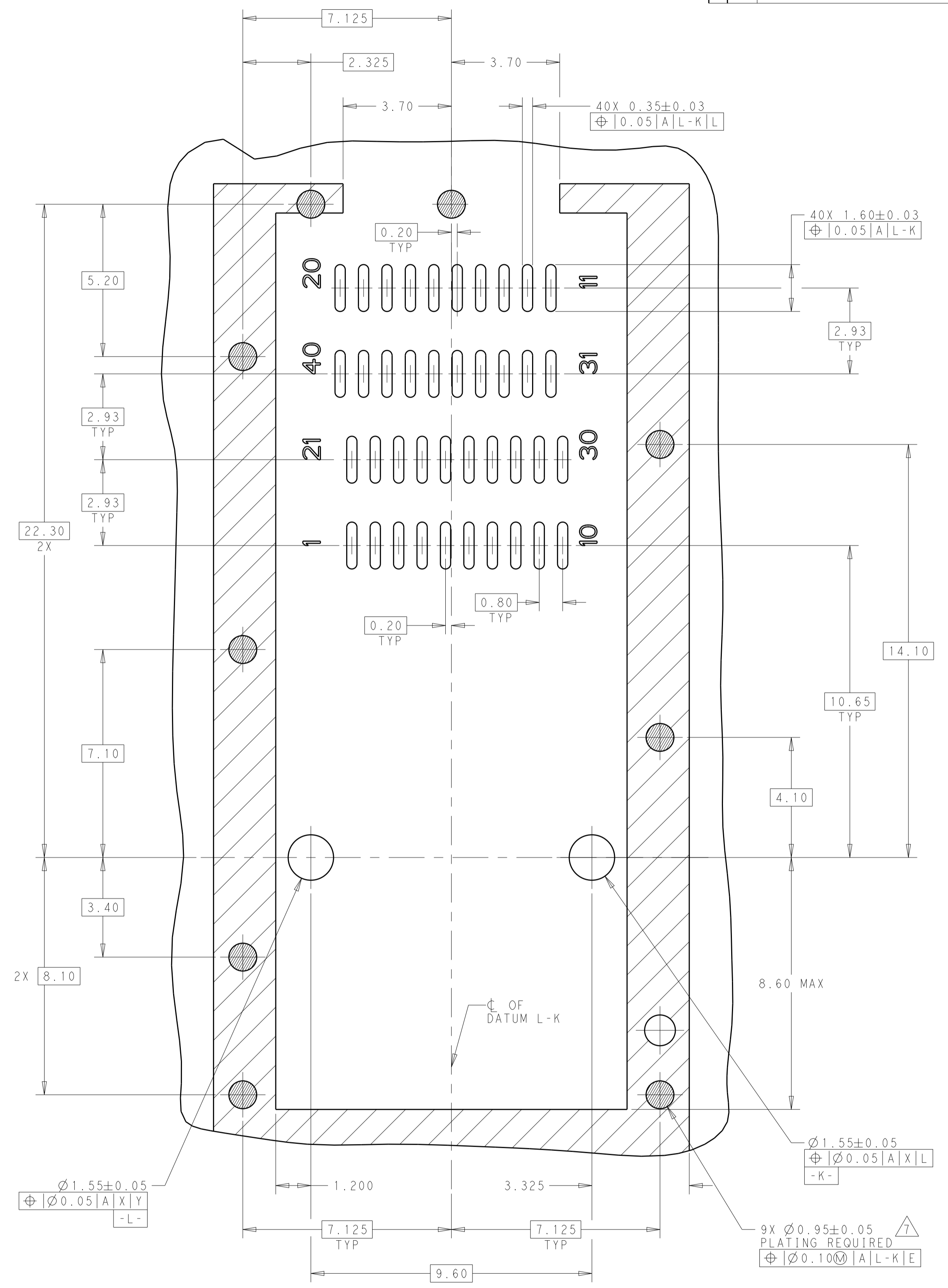


THIS DRAWING IS A CONTROLLED DOCUMENT.		OWN: ARTHUR JIN 16 JUL 2019	TE Connectivity
		CHK: SEAN HAN 16 JUL 2019	
DIMENSIONS:		NAME: CAGE ASSEMBLY, SFPDD 1X1 STANDARD, W/ GENERAL HS	
mm	0 PLC ±	PRODUCT SPEC: 108-60128	RESTRICTED TO:
	1 PLC ±0.25	APPLICATION SPEC: 114-60027	SIZE: A1
	2 PLC ±0.20	WEIGHT: -	CAGE CODE: 2359845
	3 PLC ±0.10	CUSTOMER DRAWING	SCALE: 3:1
	4 PLC ±		SHEET 3 OF 5
	ANGLES ±		REV A
MATERIAL: -	FINISH: -		

REVISIONS				
P.	LTN.	DESCRIPTION	DATE	APPD.
		SEE SHEET 1		



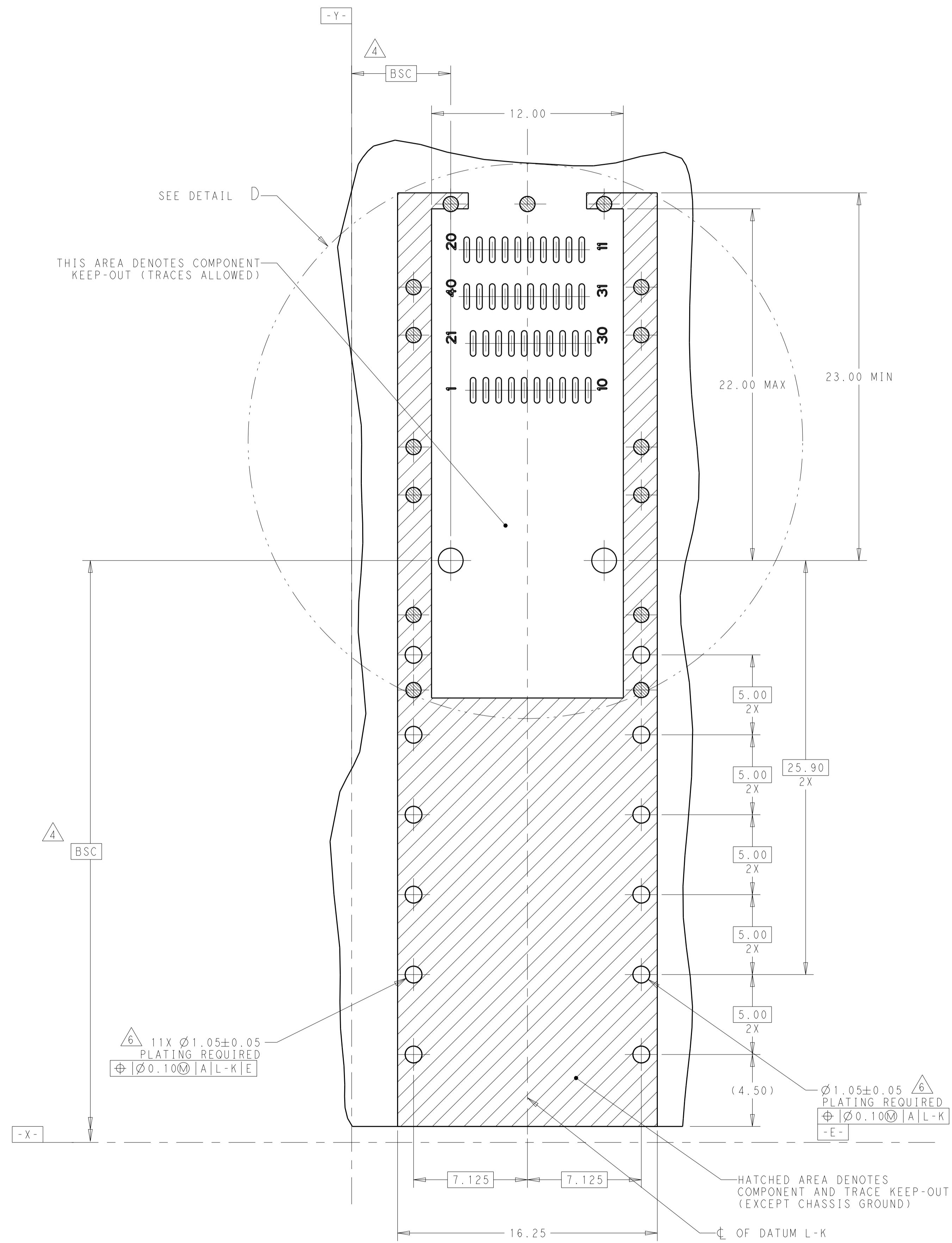
RECOMMENDED PCB LAYOUT
SINGLE TYPE
SCALE 6:1



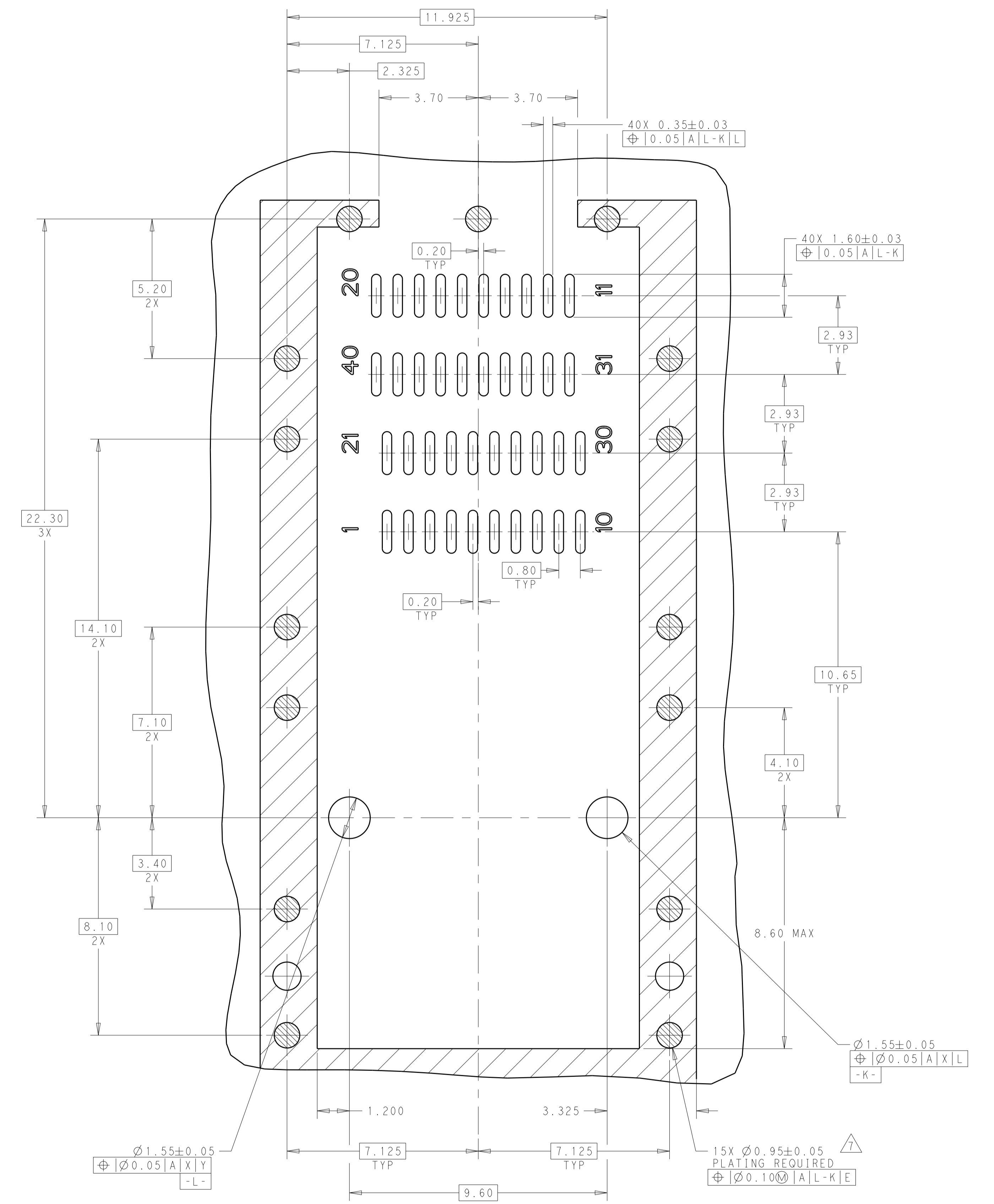
DETAIL C
SCALE 10:1

THIS DRAWING IS A CONTROLLED DOCUMENT.		OWN: ARTHUR JIN 16 JUL 2019	 TE Connectivity
DIMENSIONS: mm		CHK: SEAN HAN 16 JUL 2019	
TOLERANCES UNLESS OTHERWISE SPECIFIED:		APVD:	NAME: CAGE ASSEMBLY, SFPDD 1X1 STANDARD, W/ GENERAL HS
0 PLC	±	PRODUCT SPEC	108-60128
1 PLC	±0.25	APPLICATION SPEC	114-60027
2 PLC	±0.20	SIZE: CAGE CODE DRAWING NO	A100779C=2359845
3 PLC	±0.10	RESTRICTED TO	
4 PLC	±	WEIGHT	
ANGLES	±	CUSTOMER DRAWING	SCALE 3:1 SHEET 4 OF 5 REV A

REVISIONS				
P.	LTN.	DESCRIPTION	DATE	APPD.
		SEE SHEET 1		



RECOMMENDED PCB LAYOUT
 BELLY TO BELLY
 SCALE 6:1



DETAIL D
 SCALE 10:1

THIS DRAWING IS A CONTROLLED DOCUMENT.		OWN: ARTHUR JIN 16 JUL 2019	TE Connectivity
		CHK: SEAN HAN 16 JUL 2019	
DIMENSIONS:	TOLERANCES UNLESS OTHERWISE SPECIFIED:	APVD:	NAME:
mm	0 PLC \pm	PRODUCT SPEC:	CAGE ASSEMBLY, SFPDD 1X1
	1 PLC ± 0.25	108-60128	STANDARD, W/ GENERAL HS
	2 PLC ± 0.20	APPLICATION SPEC:	
	3 PLC ± 0.10	114-60027	SIZE: CAGE CODE: DRAWING NO:
	4 PLC \pm	WEIGHT:	A100779C=2359845
	ANGLES \pm	CUSTOMER DRAWING	RESTRICTED TO:
MATERIAL:	FINISH:	SCALE 3:1	SHEET 5 OF 5 REV A

X-ON Electronics

Largest Supplier of Electrical and Electronic Components

Click to view similar products for [I/O Connectors](#) category:

Click to view products by [TE Connectivity](#) manufacturer:

Other Similar products are found below :

[571763P](#) [D20419-211](#) [72.250.1628.2](#) [72.250.2428.2](#) [74720-0505](#) [76.350.0729.0](#) [76871-1403](#) [FCN-244F080-G/1](#) [FCN-260A9920](#) [MP-5T180MUNNA-005](#) [PCR-E36PM](#) [PCS-XE26MA+](#) [G38A71314B](#) [1571250010](#) [157-22500-3](#) [MS3471L14-19P L/C](#) [172501-4002](#) [172501-6002](#) [FCN-260C008-A/L0](#) [FCN-260C024-AL0](#) [FCN-261Z008](#) [2000314-1](#) [200331-1](#) [PCR-E36FC+](#) [PCS-E28FS+](#) [PCS-XE26SLFD+](#) [PCS-XE26SLFDT+](#) [G730VID08BDC24](#) [HDMR-29-01-S-SM-TR](#) [U90B2054081210](#) [UE86K842720321](#) [38113800006](#) [DP3AR020WQ1R200](#) [Z4.102.0680.0](#) [500-1040](#) [500-1052](#) [500-1054](#) [ZP-4008-66L](#) [0709821002](#) [5554841-1](#) [U90B3054061110](#) [U65-E04-4020](#) [ZPF00000000097891](#) [557-262M2-06C](#) [747360449](#) [10099439-003C-TRLF](#) [10137239-0021LF](#) [E9320-001-01](#) [10137239-0011LF](#) [70289-001LF](#)