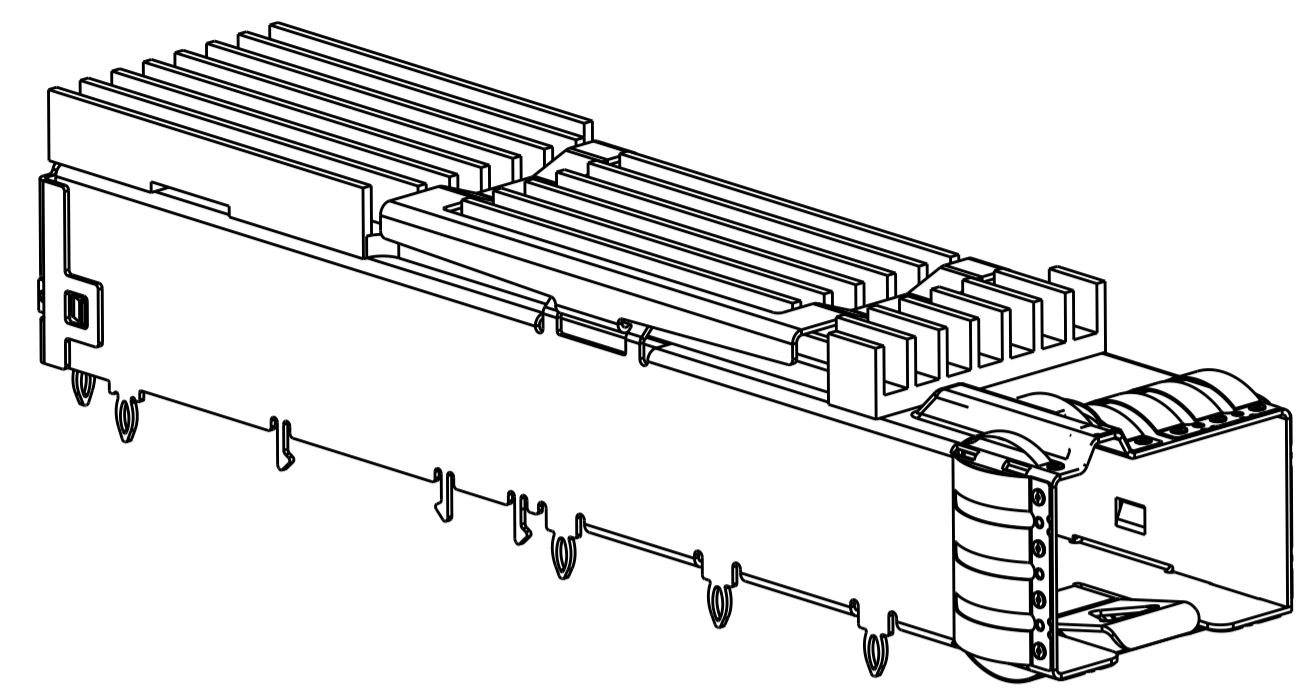
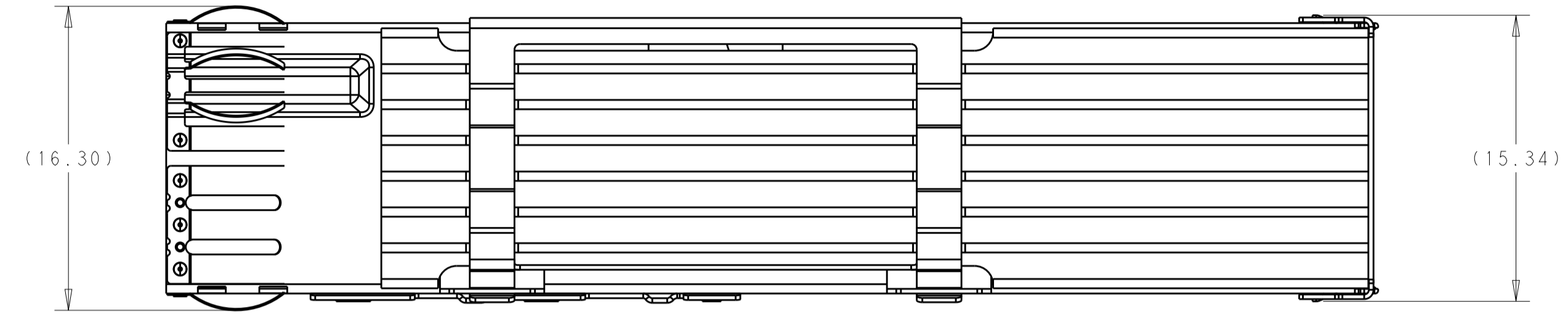


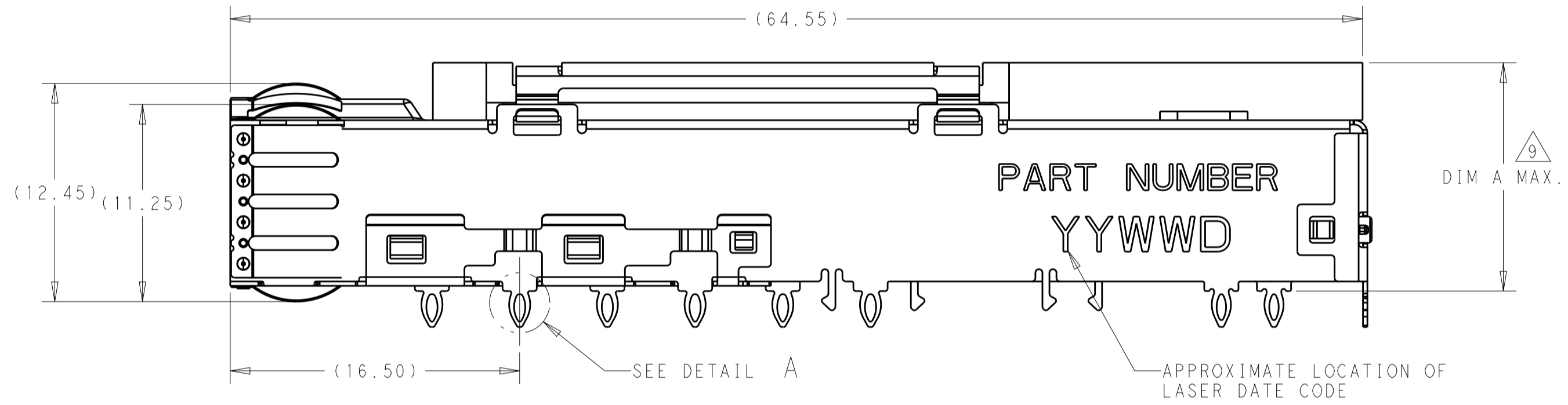
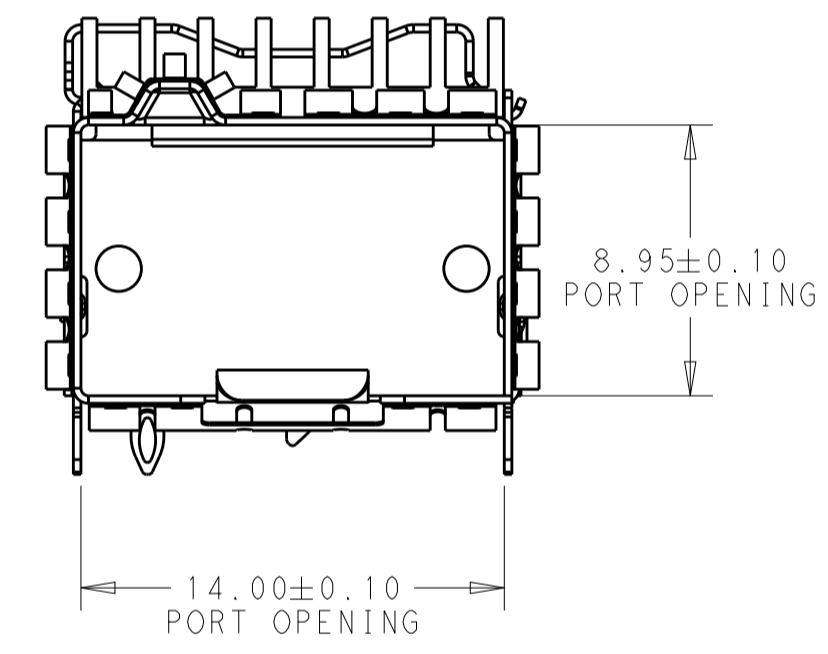
| REVISIONS | | | | |
|-----------|-----|-----------------|-----------|-------|
| P. | LTN | DESCRIPTION | DATE | APVD |
| A | | INITIAL RELEASE | 18JUN2020 | AJ SH |
| | | | | |
| | | | | |



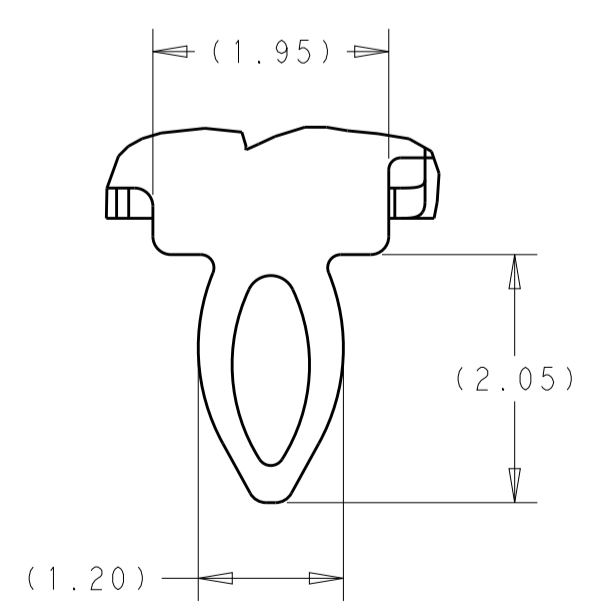
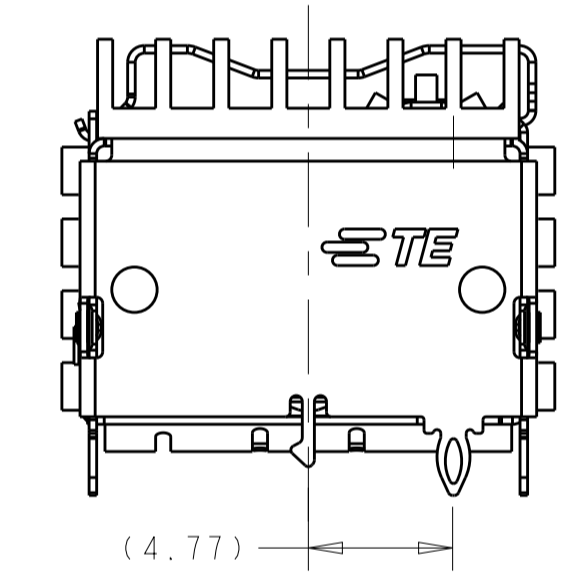
2359845-1 AS SHOWN
SCALE 3:1



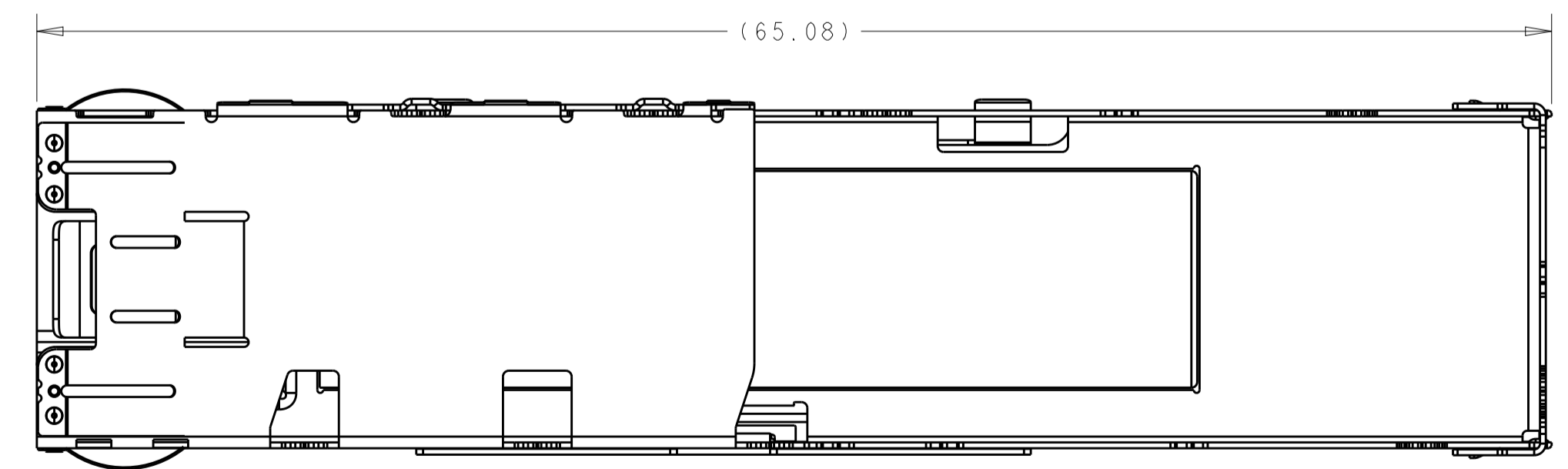
- 1 MATERIAL:
CAGE ASSEMBLY - 0.25mm THICK STAINLESS STEEL.
EMI SPRINGS - COPPER ALLOY.
HEAT SINK - ALUMINUM
CLIP - STAINLESS STEEL.
- 2 FINISH
EMI SPRINGS - NICKEL PLATING, NON-PLATED EDGES PERMISSIBLE.
HEAT SINK - BLACK ANODIZED
3. MATES WITH SFP-DD MSA COMPLIANT TRANSCEIVERS.
- 4 DATUM AND BASIC DIMENSION ESTABLISHED BY CUSTOMER.
5. MINIMUM PC BOARD THICKNESS:
SINGLE SIDED = 1.57 mm
DOUBLE SIDED = 2.20 mm
- 6 REFERENCE APPLICATION SPEC. 114-60027, HOLE A, FOR RECOMMENDED DRILL HOLE DIAMETER AND PLATING THICKNESS.
- 7 REFERENCE APPLICATION SPEC. 114-60027, HOLE B, FOR RECOMMENDED DRILL HOLE DIAMETER AND PLATING THICKNESS.
8. DATUM -A- IS TOP SURFACE OF THE HOST BOARD.
- 9 MAXIMUM HEIGHT WITH MODULE INSERTED.



2359845-1 AS SHOWN
SCALE 4:1



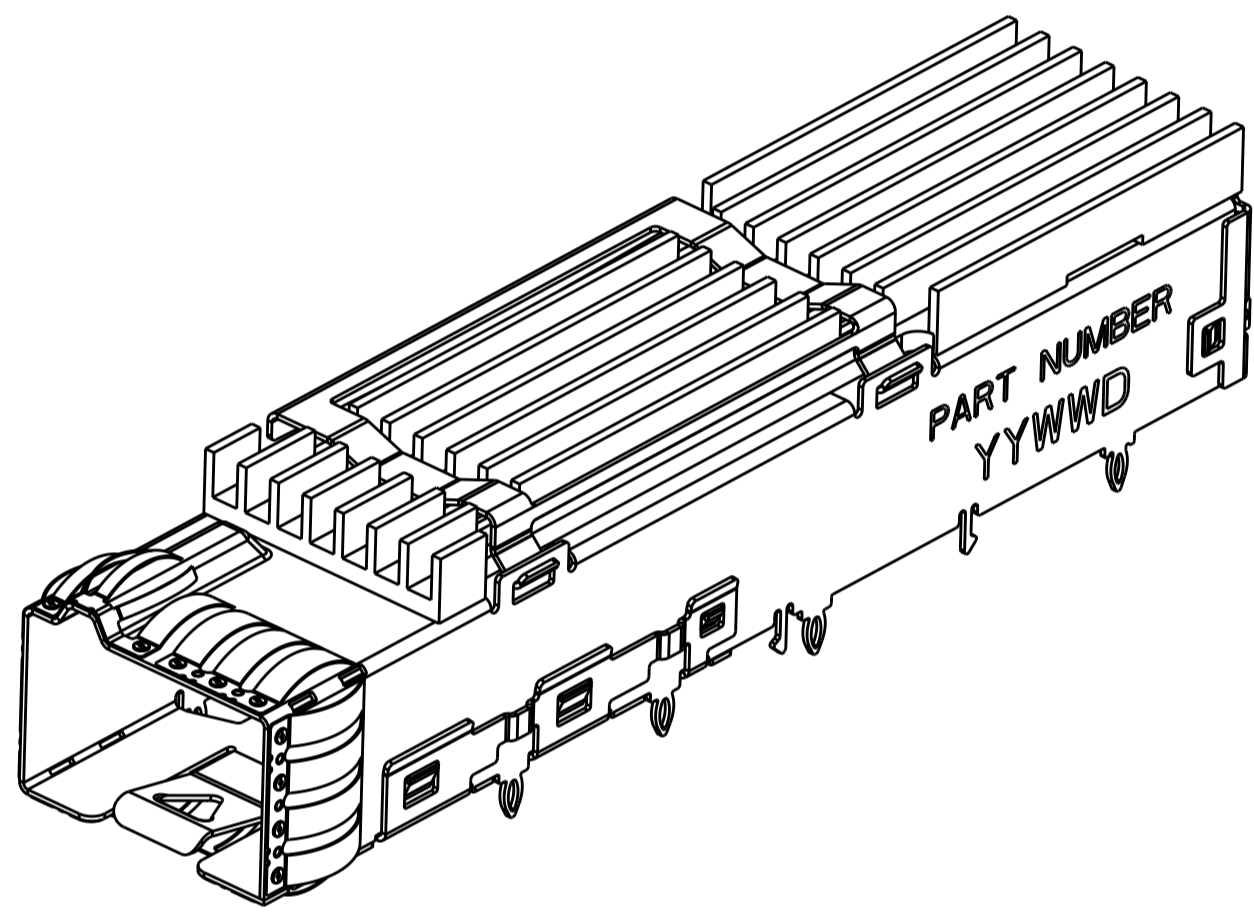
DETAIL A
SCALE 16:1



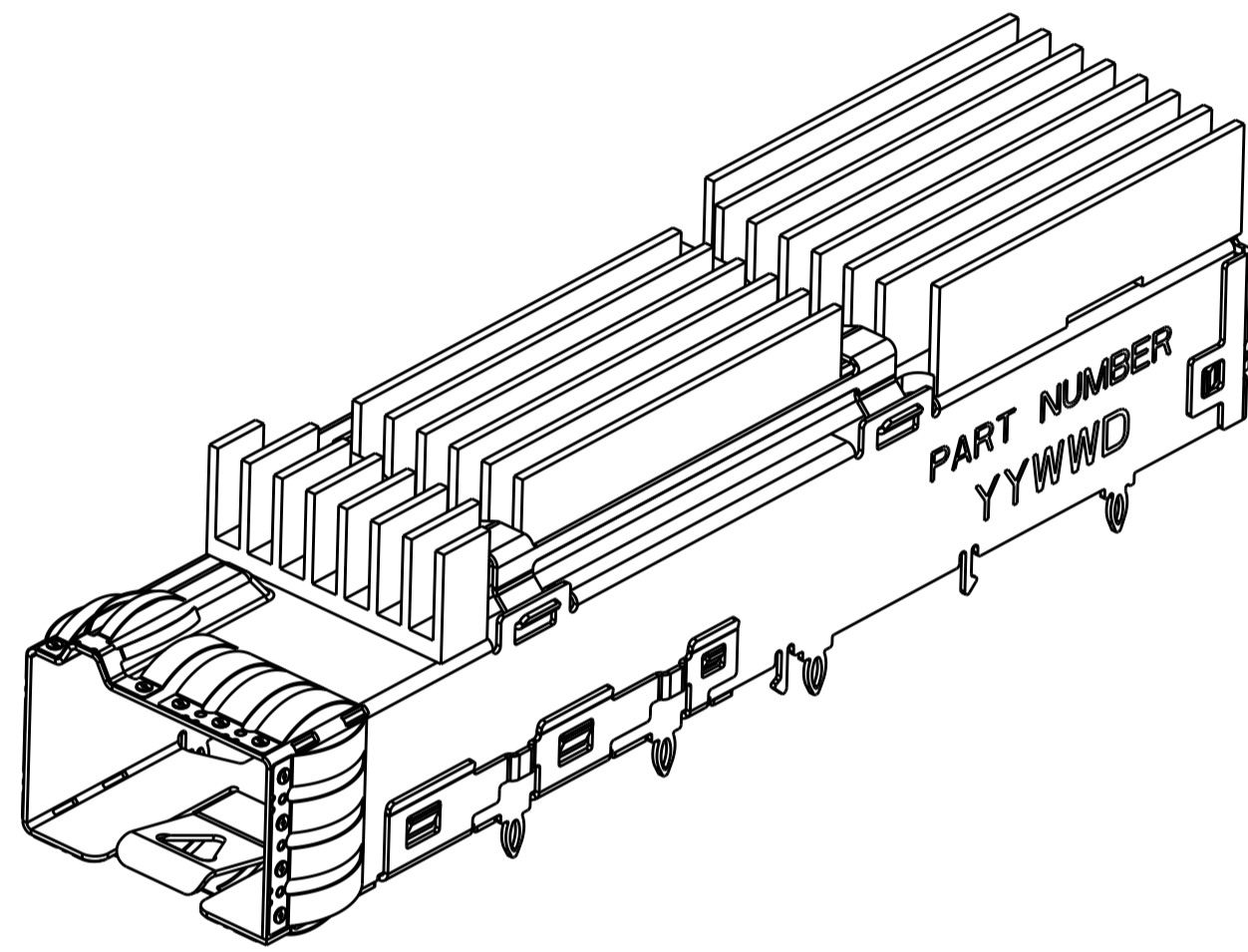
| | | |
|-------|-------------|-------------|
| 23.00 | NET WORKING | 2359845-3 |
| 16.00 | SAN | 2359845-2 |
| 13.70 | PCI | 2359845-1 |
| DIM.A | APPLICATION | PART NUMBER |

| | | | | |
|--|--|---------------------------|--|--|
| THIS DRAWING IS A CONTROLLED DOCUMENT. | | DWN: ARTHUR JIN 16JUL2019 | TE Connectivity | |
| DIMENSIONS: | | CHK: SEAN HAN 16JUL2019 | NAME: CAGE ASSEMBLY, SFPDD 1X1 STANDARD, W/ GENERAL HS | |
| mm | TOLERANCES UNLESS OTHERWISE SPECIFIED: | APVD: | PRODUCT SPEC: 108-60128 | |
| | 0 PLC ± | | APPLICATION SPEC: 114-60027 | |
| | 1 PLC ±0.25 | | SIZE: CAGE CODE DRAWING NO: A100779C=2359845 | |
| | 2 PLC ±0.20 | | RESTRICTED TO: | |
| | 3 PLC ±0.10 | | CUSTOMER DRAWING | |
| | 4 PLC ± | | SCALE: 3:1 SHEET 1 OF 5 REV A | |
| | ANGLES ± | | | |
| MATERIAL: | FINISH: | WEIGHT: | | |

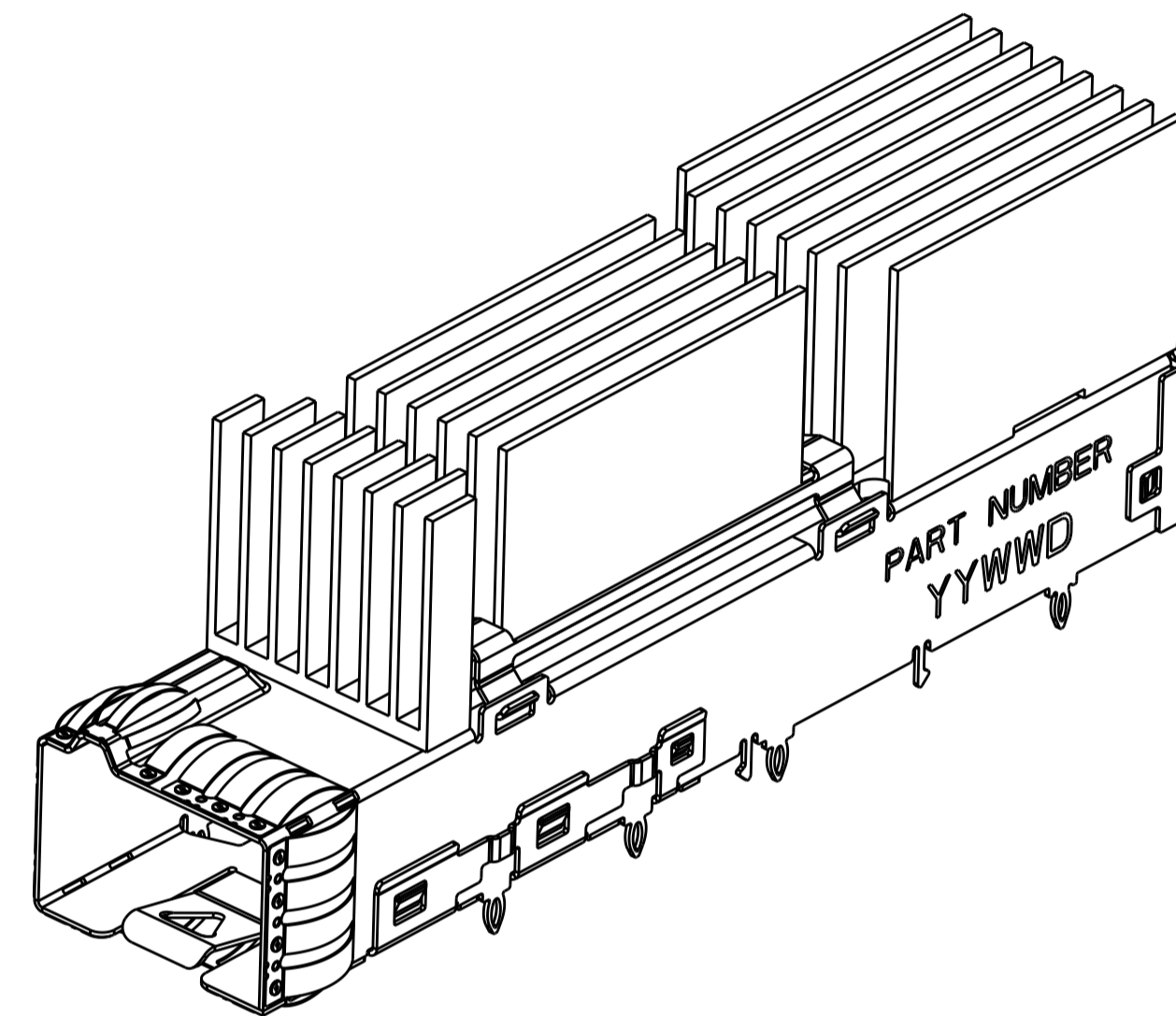
| REVISIONS | | | | |
|-----------|-----|-------------|------|------|
| P. | LTN | DESCRIPTION | DATE | APVD |
| | | SEE SHEET 1 | | |
| | | | | |
| | | | | |



2359845-1 AS SHOWN
 W/ PCI HS
 SCALE 3:1



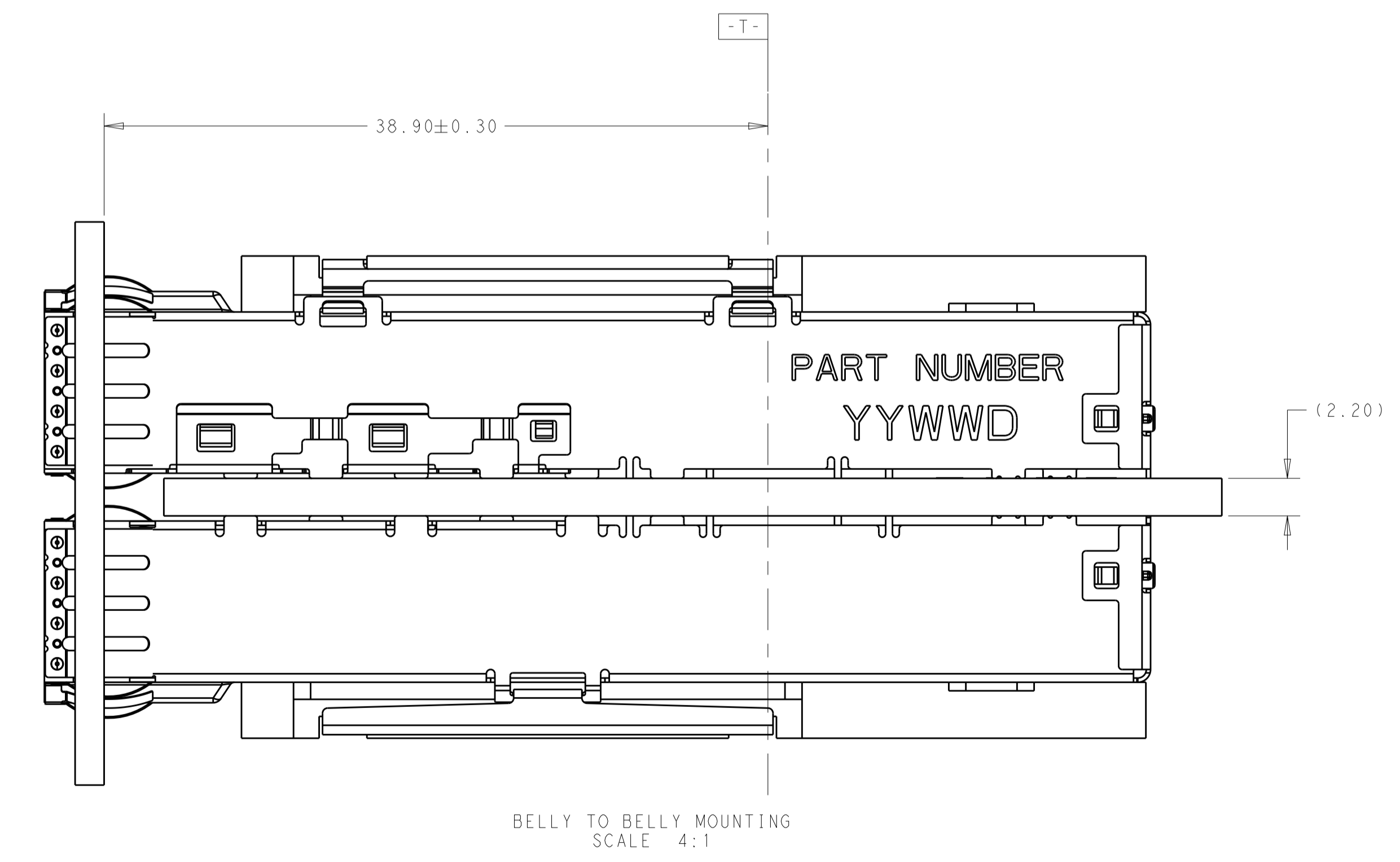
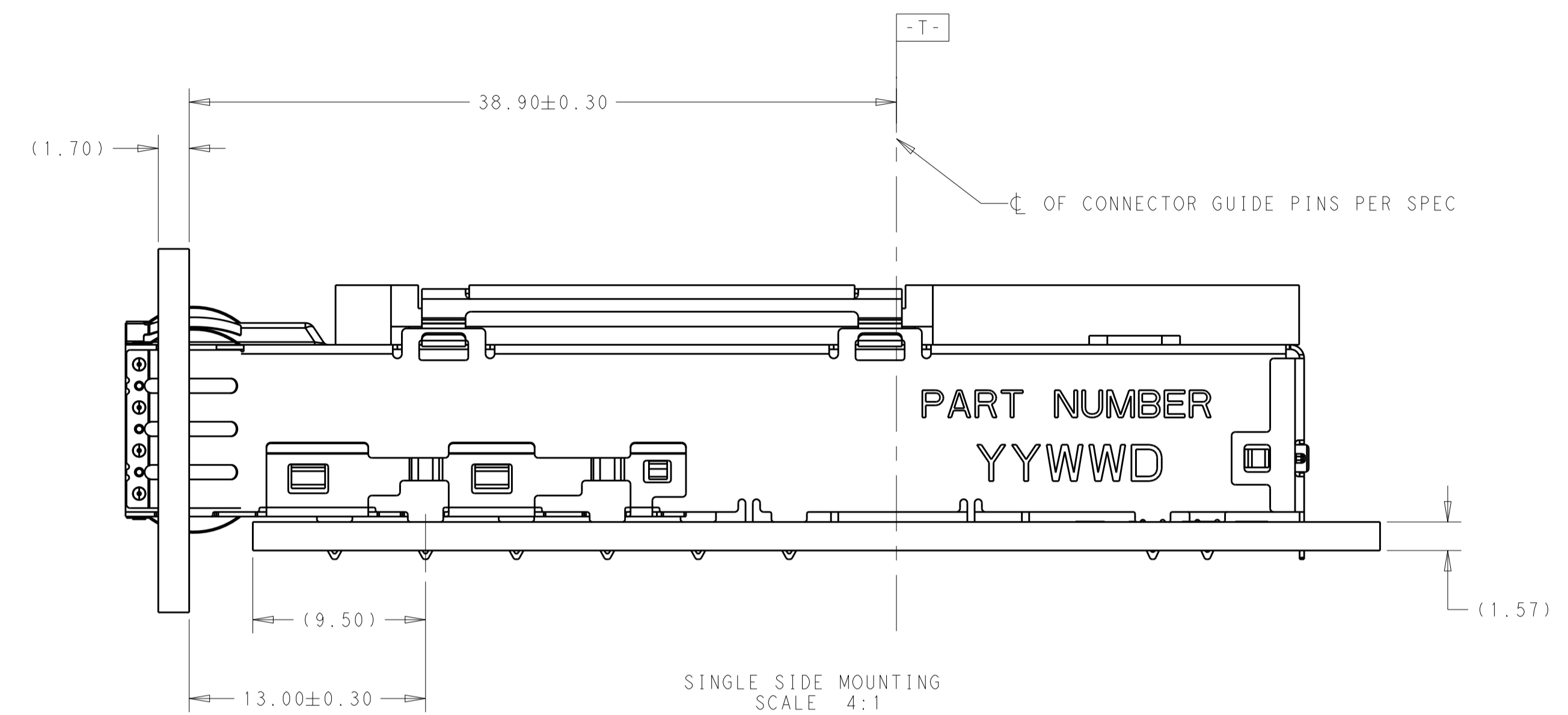
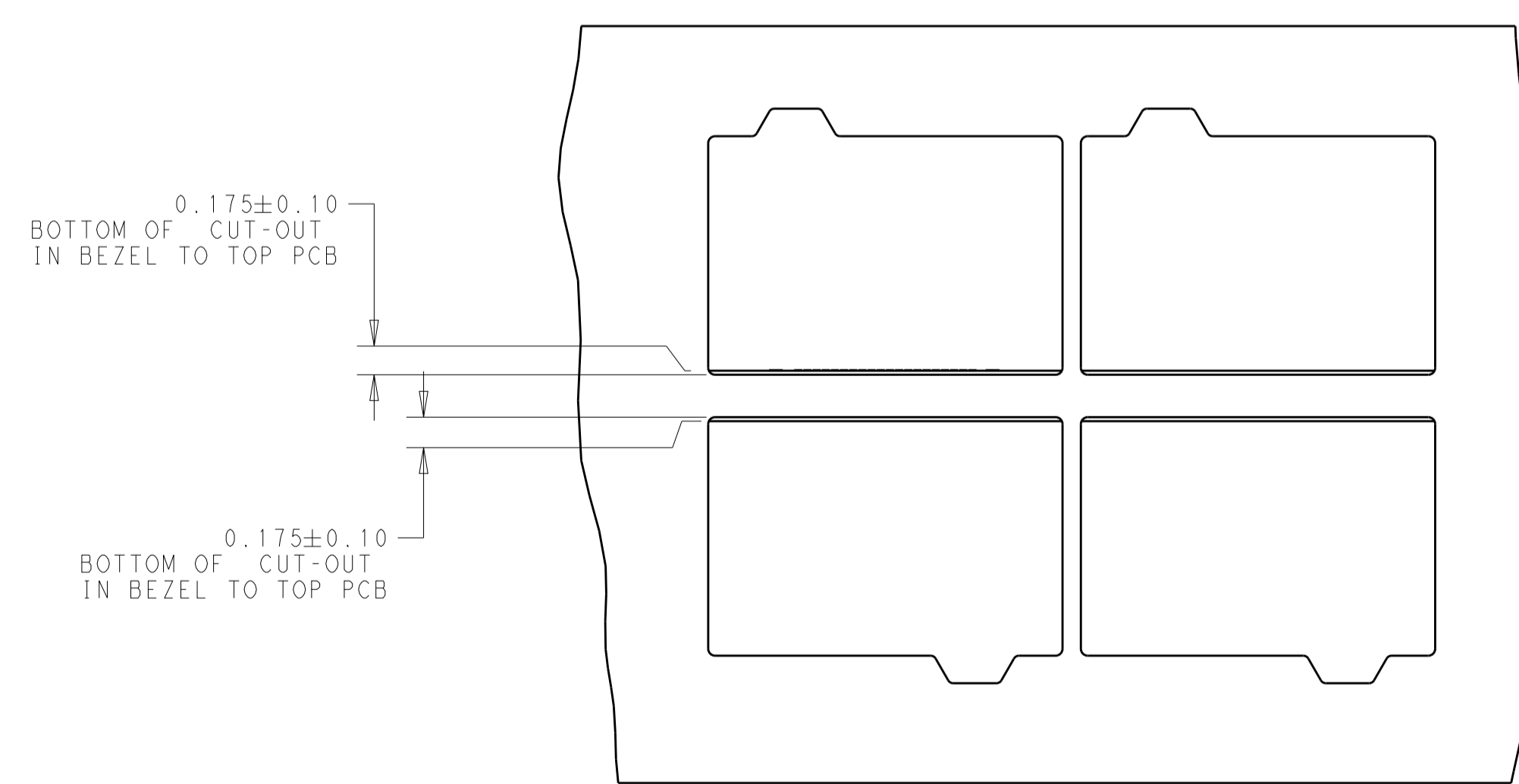
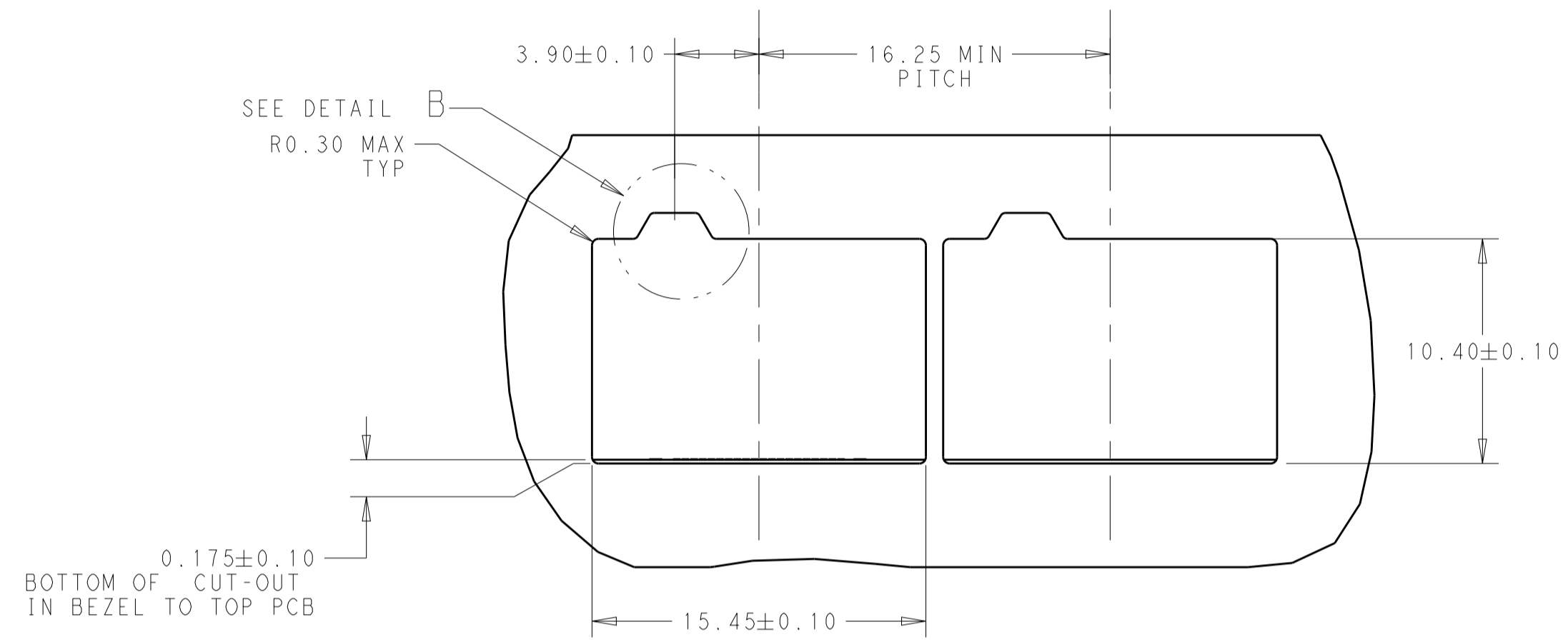
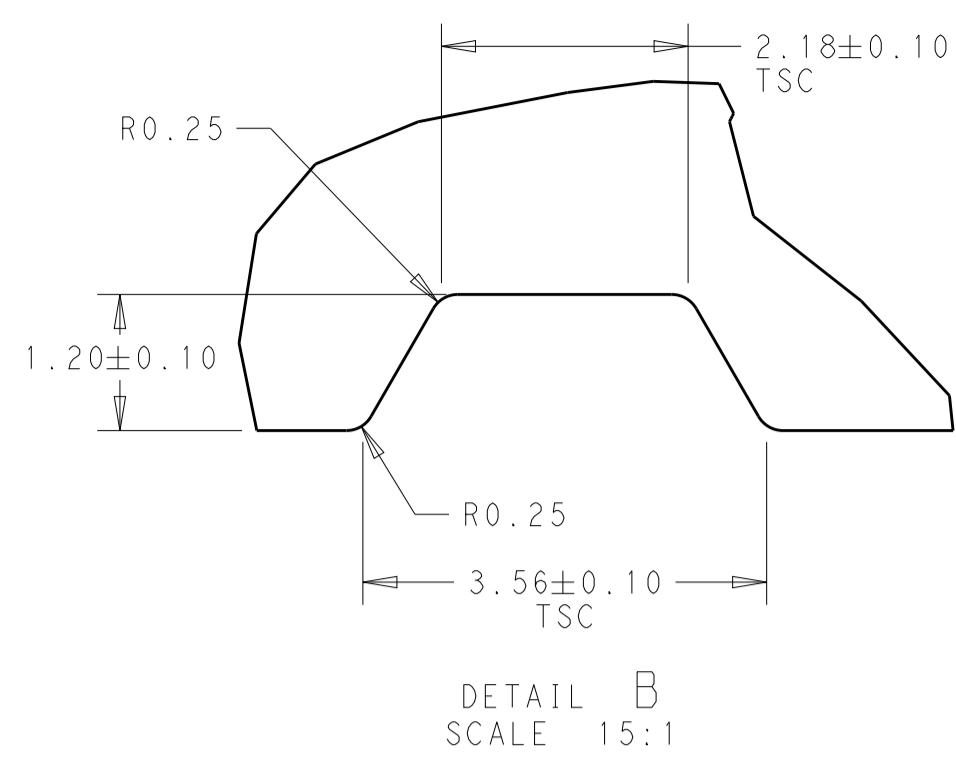
2359845-2 AS SHOWN
 W/ SAN HS
 SCALE 3:1



2359845-3 AS SHOWN
 W/ NET WORKING HS
 SCALE 3:1

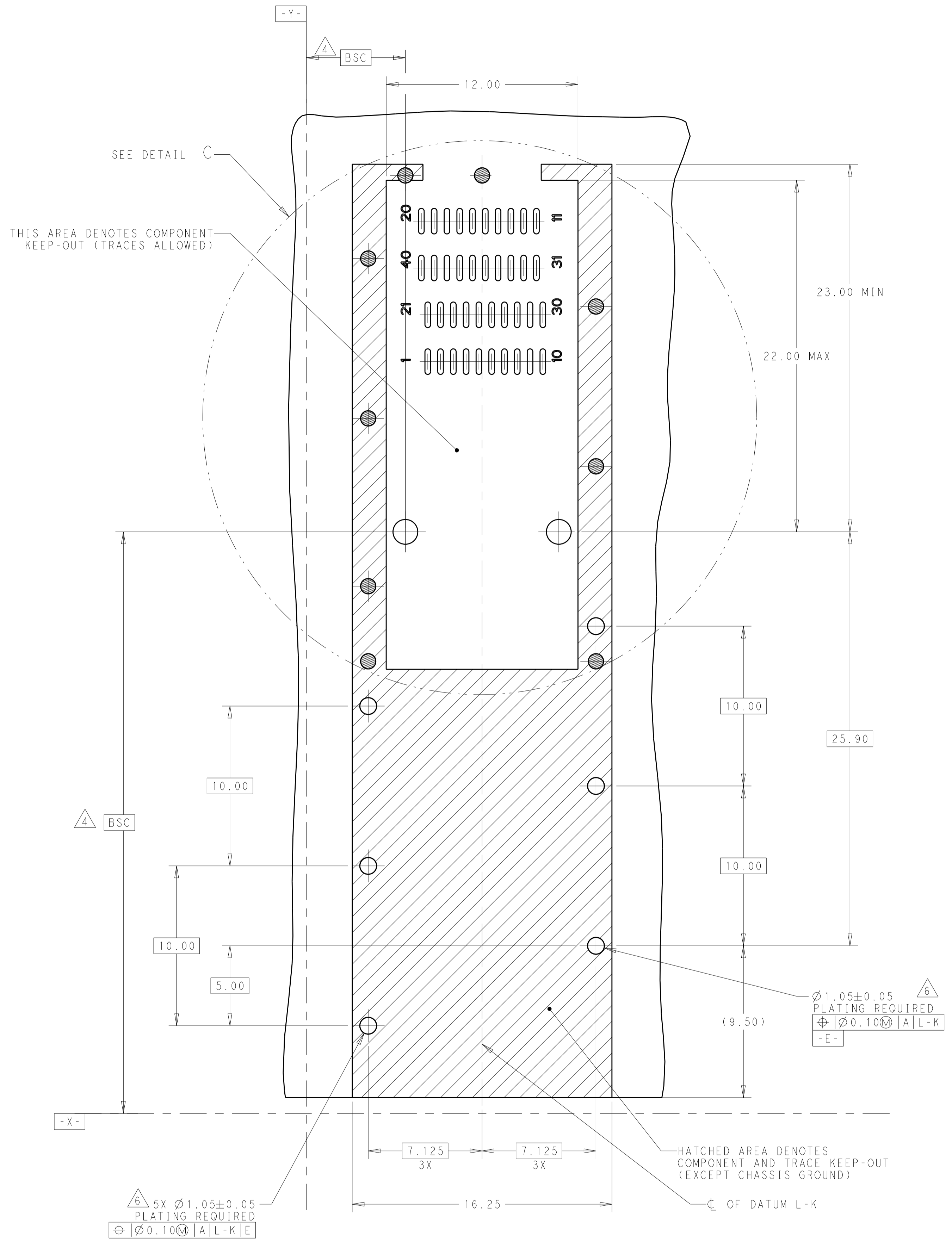
| | | | | |
|--|---|---|---|-------------------------------|
| THIS DRAWING IS A CONTROLLED DOCUMENT. | | DWN: ARTHUR_JLN 16JUL2019 CHK: SEAN_HAN 16JUL2019 APVD: | | |
| DIMENSIONS: mm | TOLERANCES UNLESS OTHERWISE SPECIFIED: 0 PLC ± 1 PLC ±0.25 2 PLC ±0.20 3 PLC ±0.10 4 PLC ± ANGLES ± FINISH | PRODUCT SPEC: 108-60128 APPLICATION SPEC: 114-60027 WEIGHT: | NAME: CAGE ASSEMBLY, SFPDD 1X1 STANDARD, W/ GENERAL HS SIZE: A1 CAGE CODE: 00779 DRAWING NO: C=2359845 | RESTRICTED TO: |
| MATERIAL: - | FINISH: - | WEIGHT: - | CUSTOMER DRAWING | SCALE: 3:1 SHEET 2 OF 5 REV A |

| REVISIONS | | | | |
|-----------|------|-------------|------|-------|
| P. | LTN. | DESCRIPTION | DATE | APVD. |
| | | SEE SHEET 1 | | |
| | | | | |
| | | | | |

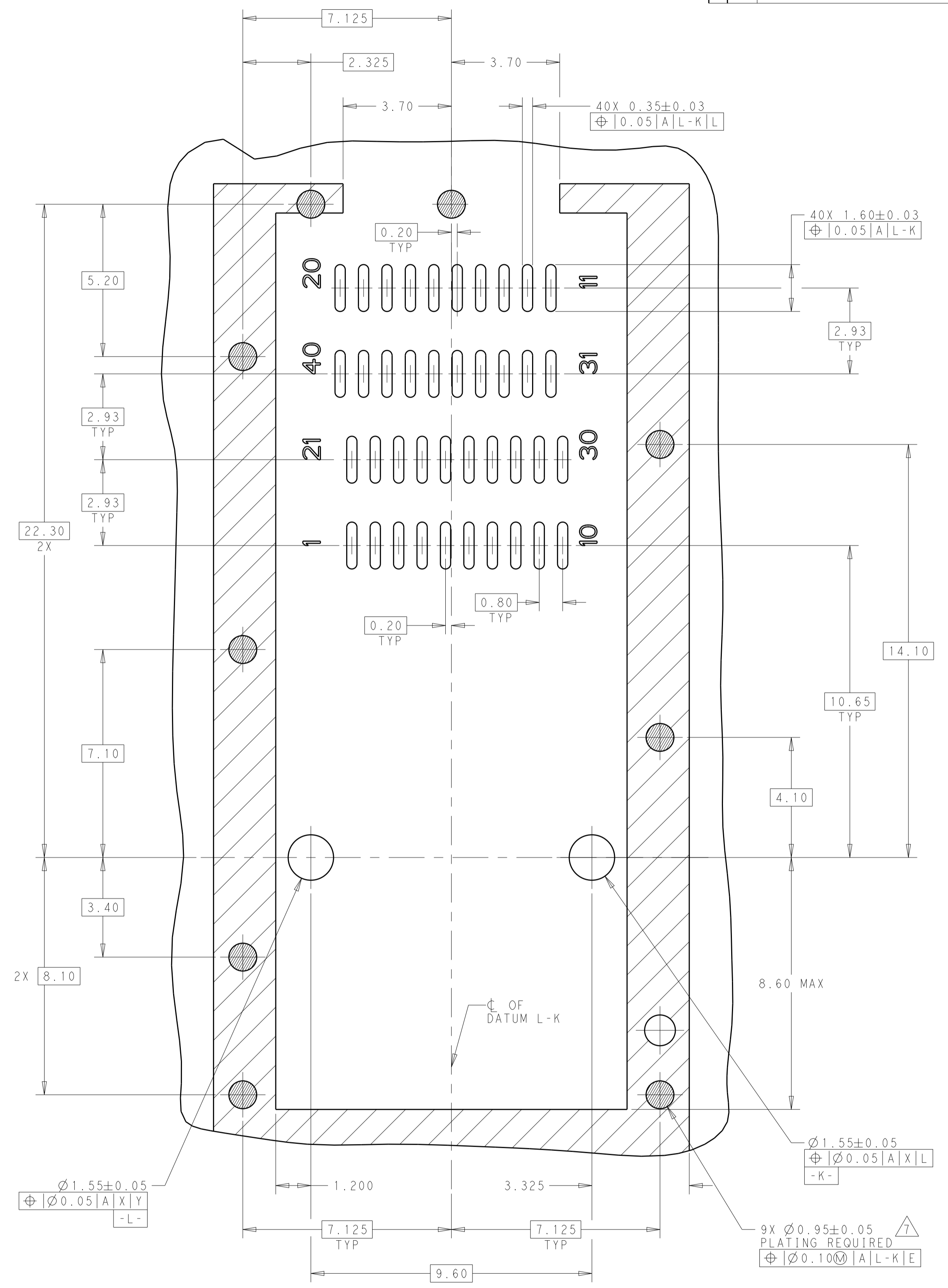


| | | | |
|--|-------------|--|--------------------|
| THIS DRAWING IS A CONTROLLED DOCUMENT. | | OWN: ARTHUR JIN 16 JUL 2019 | TE Connectivity |
| | | CHK: SEAN HAN 16 JUL 2019 | |
| DIMENSIONS: | | NAME: CAGE ASSEMBLY, SFPDD 1X1 STANDARD, W/ GENERAL HS | |
| mm | 0 PLC ± | PRODUCT SPEC: 108-60128 | RESTRICTED TO: |
| | 1 PLC ±0.25 | APPLICATION SPEC: 114-60027 | SIZE: A1 |
| | 2 PLC ±0.20 | WEIGHT: - | CAGE CODE: 2359845 |
| | 3 PLC ±0.10 | CUSTOMER DRAWING | SCALE: 3:1 |
| | 4 PLC ± | | SHEET 3 OF 5 |
| | ANGLES ± | | REV A |
| MATERIAL: - | FINISH: - | | |

| REVISIONS | | | | |
|-----------|------|-------------|------|-------|
| P. | LTN. | DESCRIPTION | DATE | APPD. |
| | | SEE SHEET 1 | | |



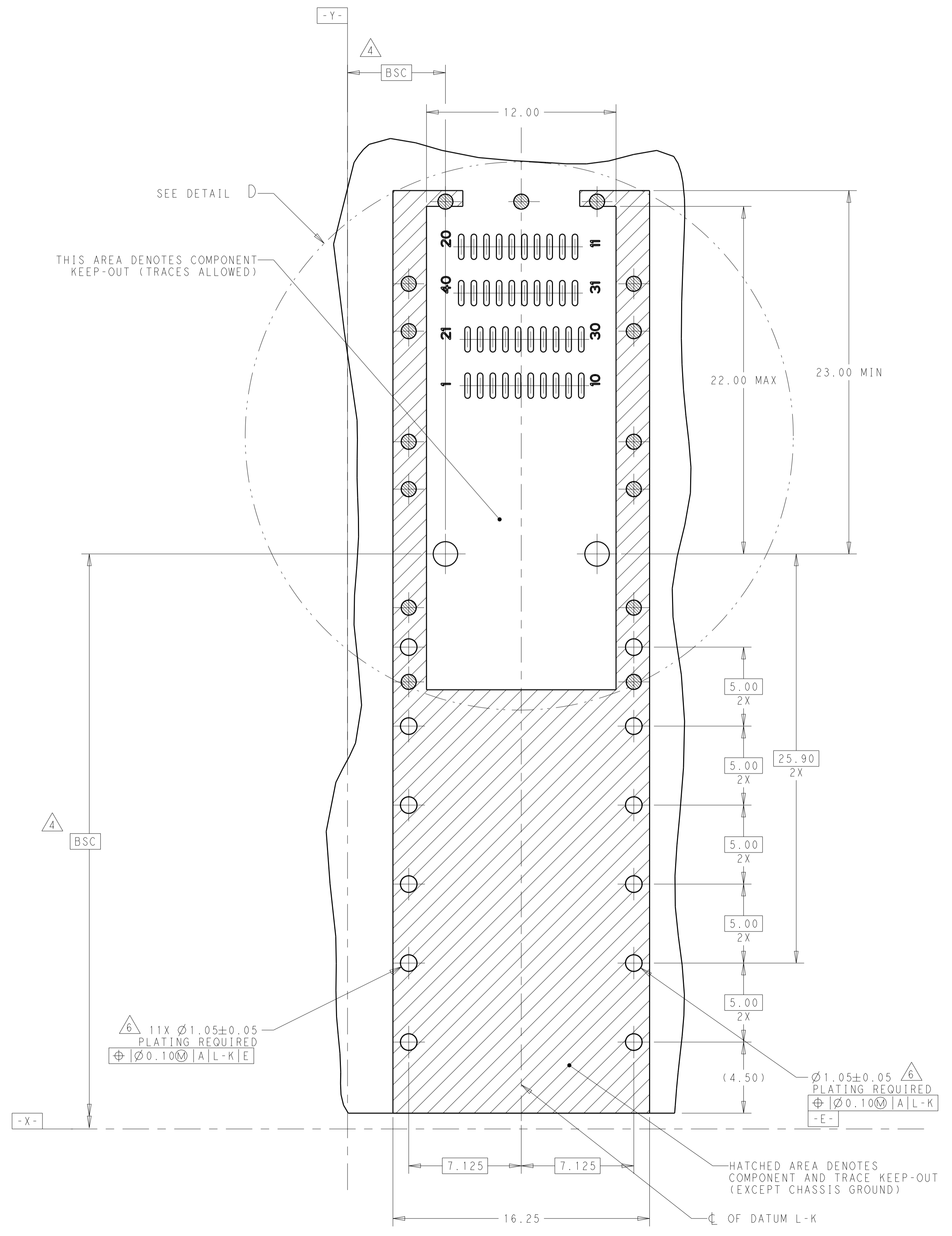
RECOMMENDED PCB LAYOUT
SINGLE TYPE
SCALE 6:1



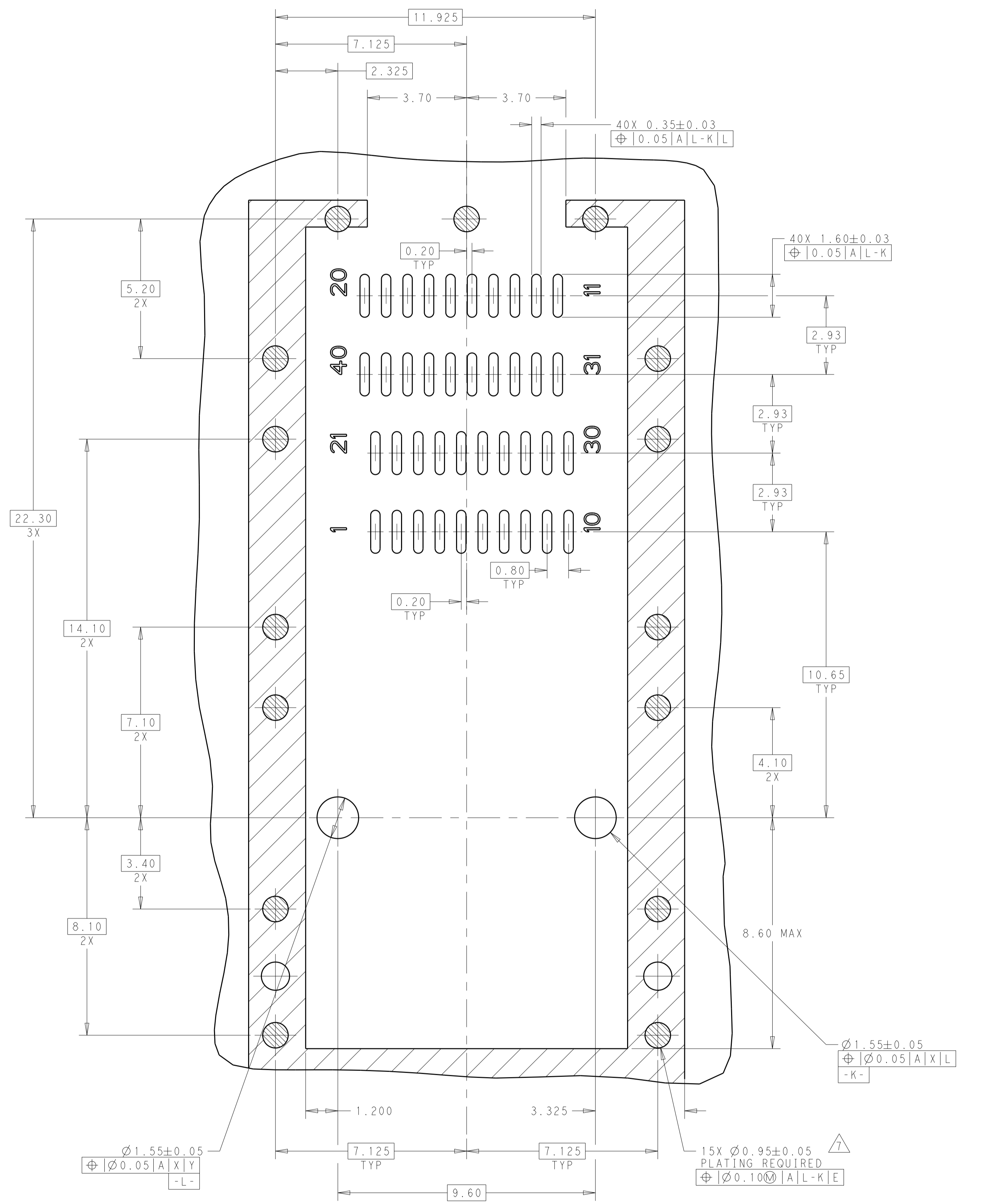
DETAIL C
SCALE 10:1

| | | | |
|--|--------|-----------------------------|--|
| THIS DRAWING IS A CONTROLLED DOCUMENT. | | OWN: ARTHUR JIN 16 JUL 2019 | TE Connectivity |
| DIMENSIONS: mm | | CHK: SEAN HAN 16 JUL 2019 | |
| TOLERANCES UNLESS OTHERWISE SPECIFIED: | | APVD: | NAME: CAGE ASSEMBLY, SFPDD 1X1 STANDARD, W/ GENERAL HS |
| 0 PLC | ± | PRODUCT SPEC | 108-60128 |
| 1 PLC | ±0.25 | APPLICATION SPEC | 114-60027 |
| 2 PLC | ±0.20 | WEIGHT | A100779C=2359845 |
| 3 PLC | ±0.10 | CUSTOMER DRAWING | SCALE 3:1 SHEET 4 OF 5 REV A |
| 4 PLC | ± | | |
| ANGLES | ± | | |
| MATERIAL | FINISH | | |

| REVISIONS | | | | |
|-----------|------|-------------|------|-------|
| P. | LTN. | DESCRIPTION | DATE | APPD. |
| | | SEE SHEET 1 | | |



RECOMMENDED PCB LAYOUT
 BELLY TO BELLY
 SCALE 6:1



DETAIL D
 SCALE 10:1

| | | | |
|--|--|-----------------------------|--|
| THIS DRAWING IS A CONTROLLED DOCUMENT. | | OWN: ARTHUR JIN 16 JUL 2019 | TE Connectivity |
| DIMENSIONS: mm | | CHK: SEAN HAN 16 JUL 2019 | |
| TOLERANCES UNLESS OTHERWISE SPECIFIED: | | APVD: | NAME: CAGE ASSEMBLY, SFPDD 1X1 STANDARD, W/ GENERAL HS |
| 0 PLC \pm 1 PLC ± 0.25 2 PLC ± 0.20 3 PLC ± 0.10 4 PLC \pm ANGLES \pm | | PRODUCT SPEC: 108-60128 | SIZE: CAGE CODE DRAWING NO: 114-60027 |
| MATERIAL: FINISH: | | APPLICATION SPEC: 114-60027 | RESTRICTED TO: A100779C=2359845 |
| | | WEIGHT: | SCALE: 3:1 SHEET 5 OF 5 REV A |
| | | CUSTOMER DRAWING | |

X-ON Electronics

Largest Supplier of Electrical and Electronic Components

Click to view similar products for [I/O Connectors](#) category:

Click to view products by [TE Connectivity](#) manufacturer:

Other Similar products are found below :

[571763P](#) [D20419-211](#) [72.250.1628.2](#) [72.250.2428.2](#) [74720-0505](#) [76.350.0729.0](#) [76871-1403](#) [FCN-244F080-G/1](#) [FCN-260A9920](#) [MP-5T180MUNNA-005](#) [PCR-E36PM](#) [PCS-XE26MA+](#) [G38A71314B](#) [1571250010](#) [157-22500-3](#) [MS3471L14-19P L/C](#) [172501-4002](#) [172501-6002](#) [FCN-260C008-A/L0](#) [FCN-260C024-AL0](#) [FCN-261Z008](#) [2000314-1](#) [200331-1](#) [PCR-E36FC+](#) [PCS-E28FS+](#) [PCS-XE26SLFD+](#) [PCS-XE26SLFDT+](#) [G730VID08BDC24](#) [HDMR-29-01-S-SM-TR](#) [U90B2054081210](#) [UE86K842720321](#) [38113800006](#) [DP3AR020WQ1R200](#) [Z4.102.0680.0](#) [500-1040](#) [500-1052](#) [500-1054](#) [ZP-4008-66L](#) [0709821002](#) [5554841-1](#) [U90B3054061110](#) [U65-E04-4020](#) [ZPF00000000097891](#) [557-262M2-06C](#) [747360449](#) [10099439-003C-TRLF](#) [10137239-0021LF](#) [E9320-001-01](#) [10137239-0011LF](#) [70289-001LF](#)