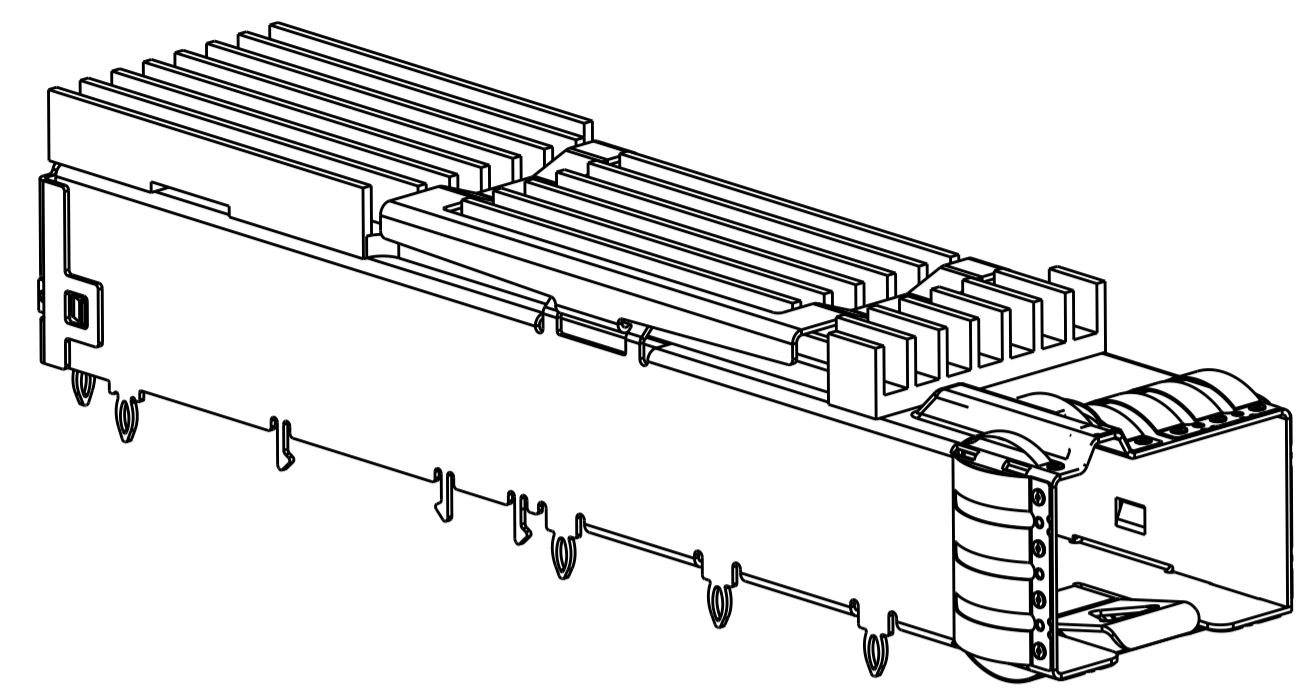
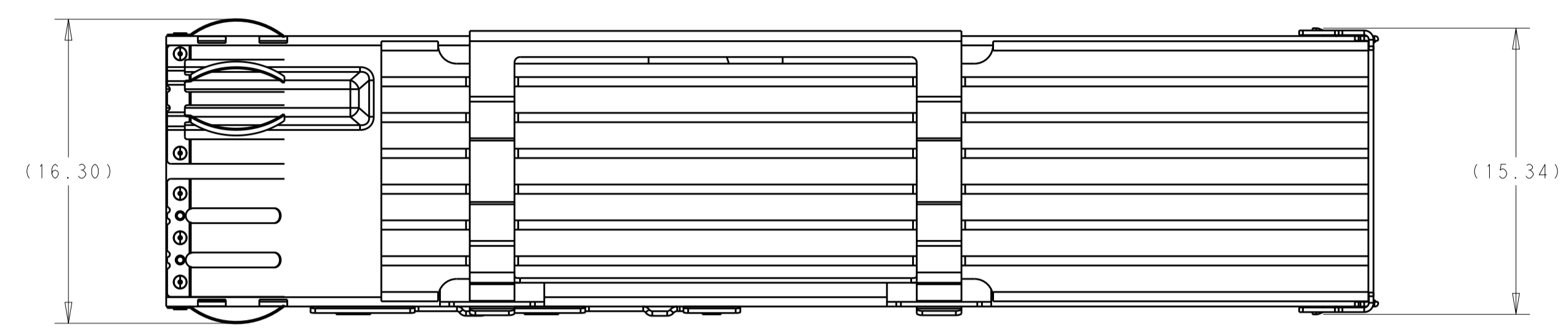


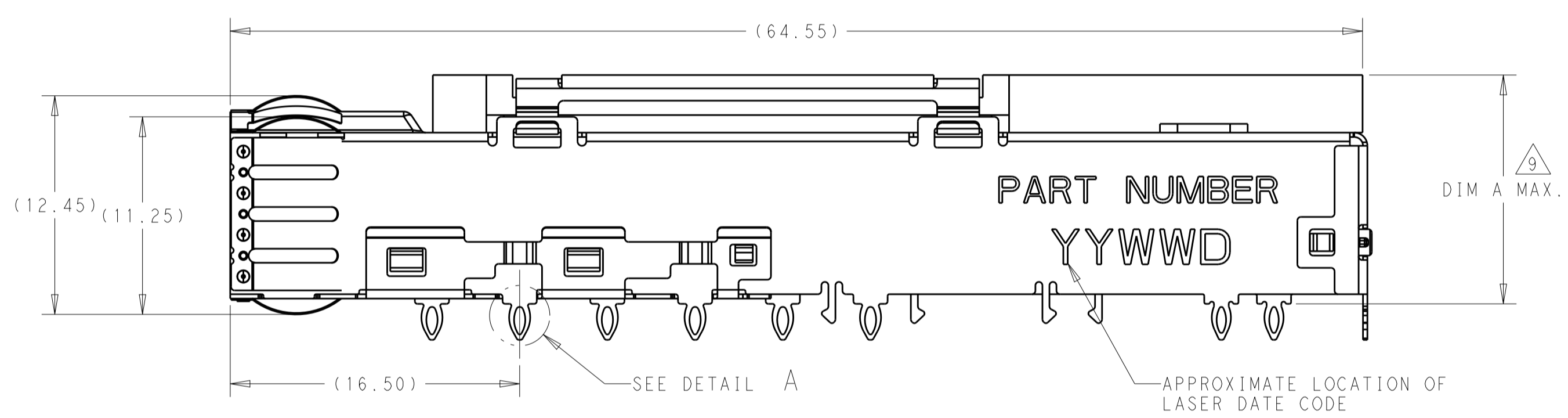
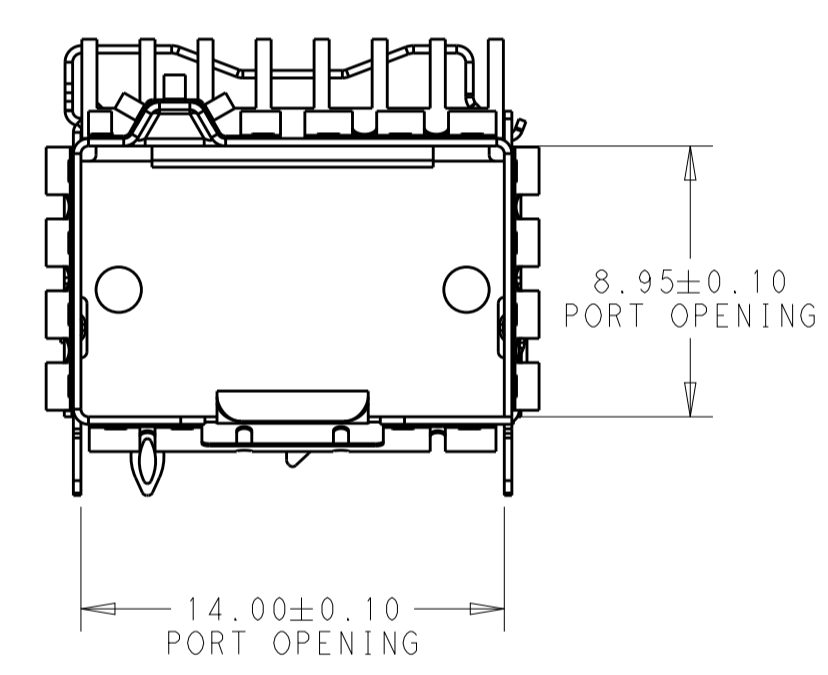
REVISIONS				
P.	LTN.	DESCRIPTION	DATE	APVD.
A		INITIAL RELEASE	18JUN2020	AJ SH



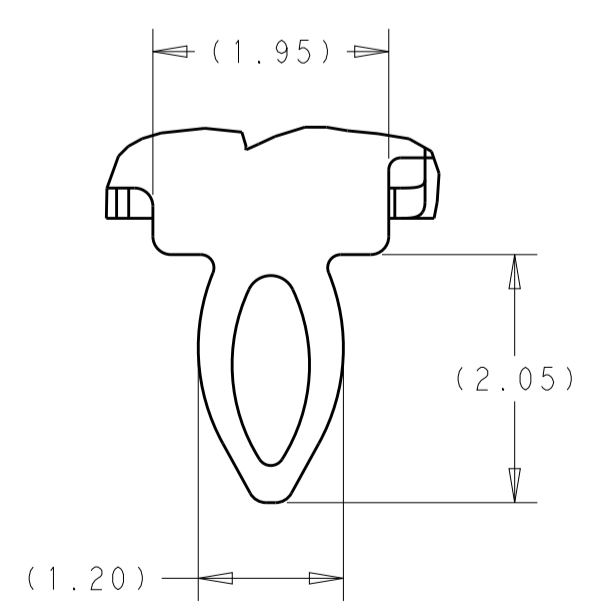
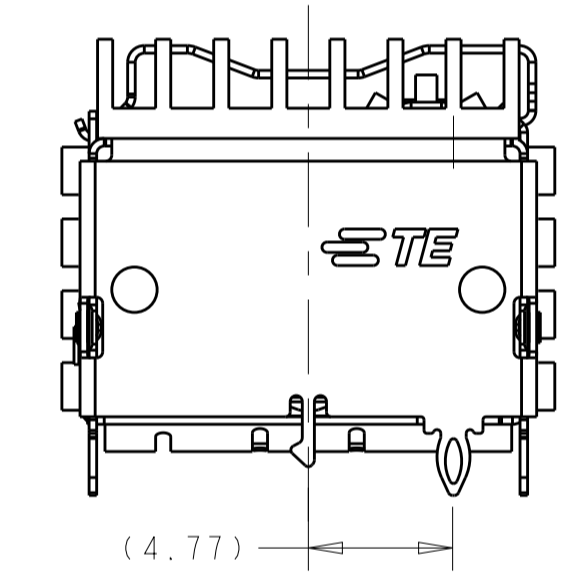
2359845-1 AS SHOWN  
SCALE 3:1



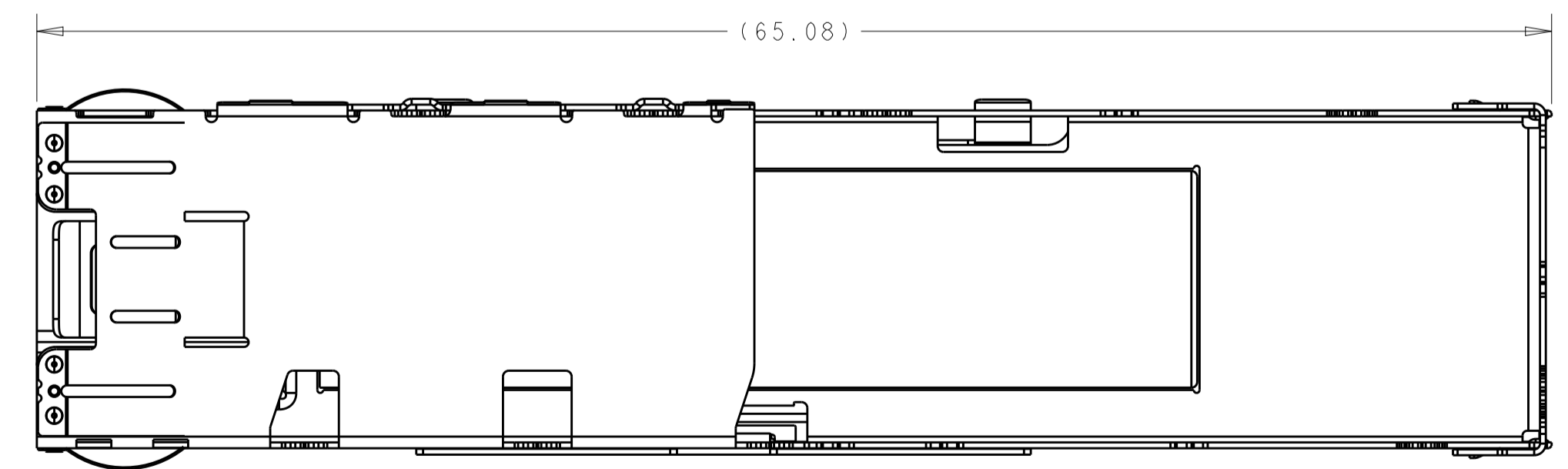
- 1 MATERIAL:  
CAGE ASSEMBLY - 0.25mm THICK STAINLESS STEEL.  
EMI SPRINGS - COPPER ALLOY.  
HEAT SINK - ALUMINUM  
CLIP - STAINLESS STEEL.
- 2 FINISH  
EMI SPRINGS - NICKEL PLATING, NON-PLATED EDGES PERMISSIBLE.  
HEAT SINK - BLACK ANODIZED
3. MATES WITH SFP-DD MSA COMPLIANT TRANSCEIVERS.
- 4 DATUM AND BASIC DIMENSION ESTABLISHED BY CUSTOMER.
5. MINIMUM PC BOARD THICKNESS:  
SINGLE SIDED = 1.57 mm  
DOUBLE SIDED = 2.20 mm
- 6 REFERENCE APPLICATION SPEC. 114-60027, HOLE A, FOR RECOMMENDED DRILL HOLE DIAMETER AND PLATING THICKNESS.
- 7 REFERENCE APPLICATION SPEC. 114-60027, HOLE B, FOR RECOMMENDED DRILL HOLE DIAMETER AND PLATING THICKNESS.
8. DATUM -A- IS TOP SURFACE OF THE HOST BOARD.
- 9 MAXIMUM HEIGHT WITH MODULE INSERTED.



2359845-1 AS SHOWN  
SCALE 4:1



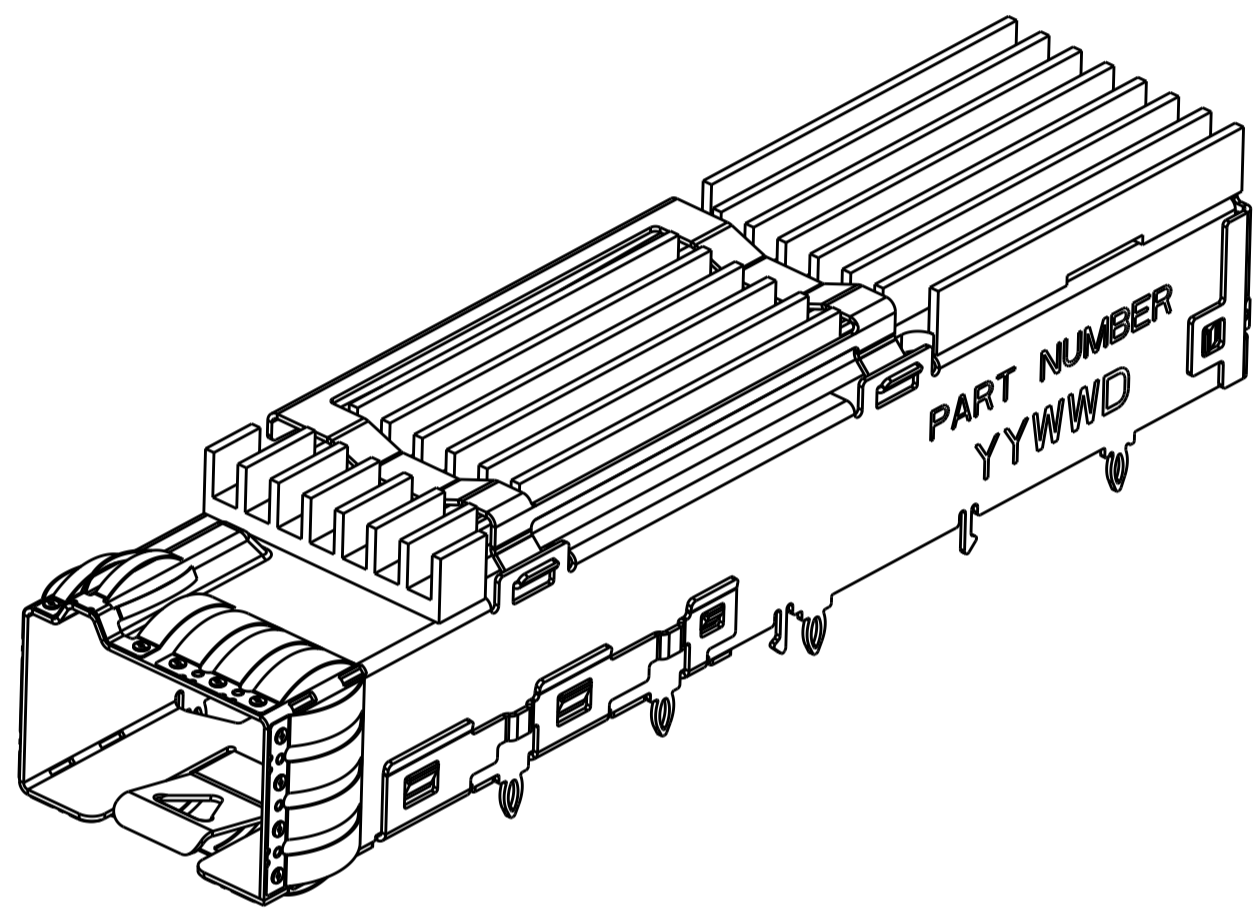
DETAIL A  
SCALE 16:1



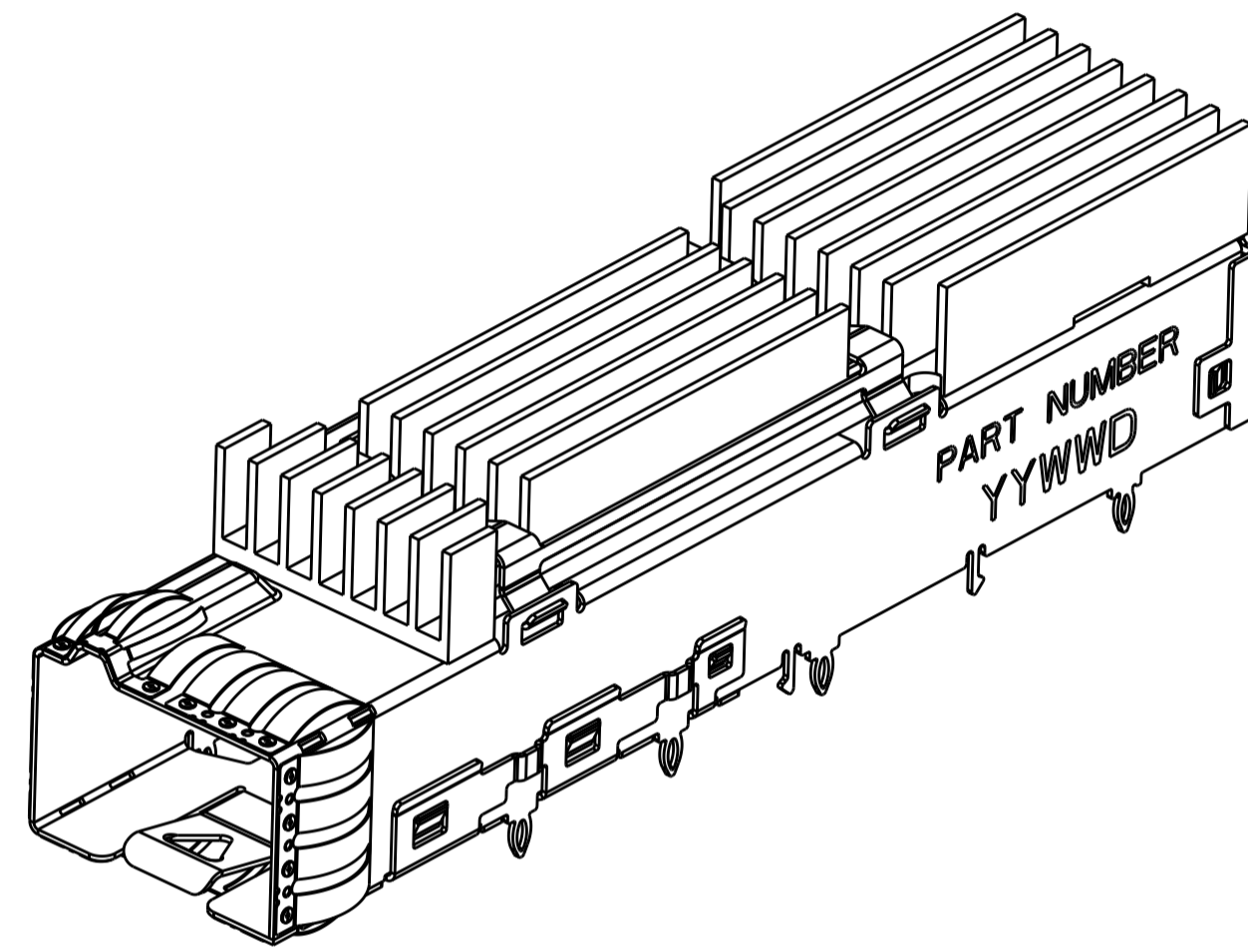
23.00	NET WORKING	2359845-3
16.00	SAN	2359845-2
13.70	PCI	2359845-1
DIM.A	APPLICATION	PART NUMBER

THIS DRAWING IS A CONTROLLED DOCUMENT.		DWN: ARTHUR JIN 16JUL2019	TE Connectivity		
		CHK: SEAN HAN 16JUL2019			
DIMENSIONS:		TOLERANCES UNLESS OTHERWISE SPECIFIED:		NAME: CAGE ASSEMBLY, SFPDD 1X1 STANDARD, W/ GENERAL HS	
mm		0 PLC ±0.25		PRODUCT SPEC: 108-60128	
		1 PLC ±0.20		APPLICATION SPEC: 114-60027	
		3 PLC ±0.10		SIZE: CAGE CODE DRAWING NO: A100779C=2359845	
		4 PLC ±0.10		RESTRICTED TO: -	
		ANGLES ±0.10		WEIGHT: -	
MATERIAL: -		FINISH: -		CUSTOMER DRAWING	
				SCALE: 3:1 SHEET 1 OF 5 REV A	

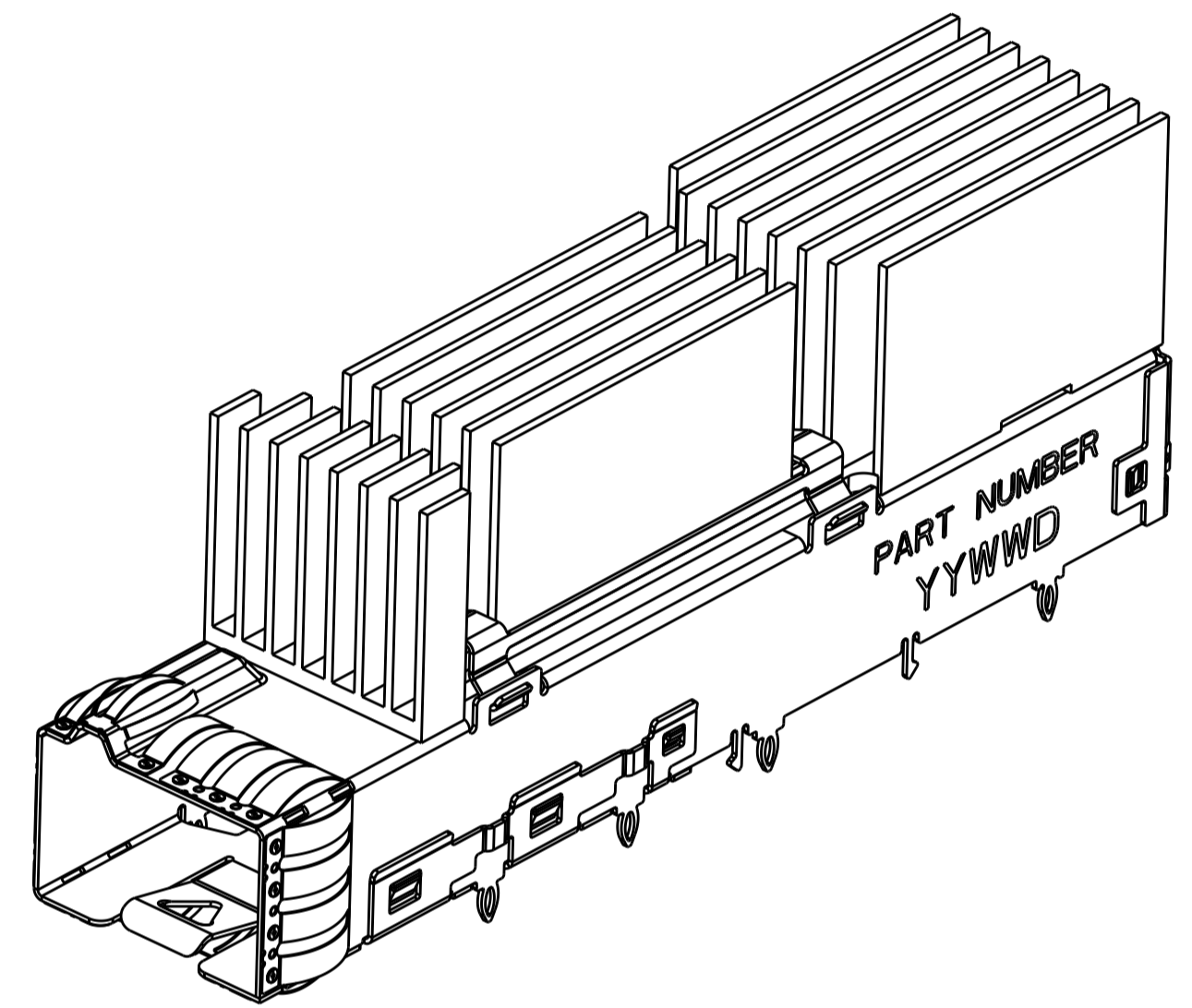
REVISIONS				
P.	LTN	DESCRIPTION	DATE	APVD
		SEE SHEET 1		



2359845-1 AS SHOWN  
W/ PCI HS  
SCALE 3:1



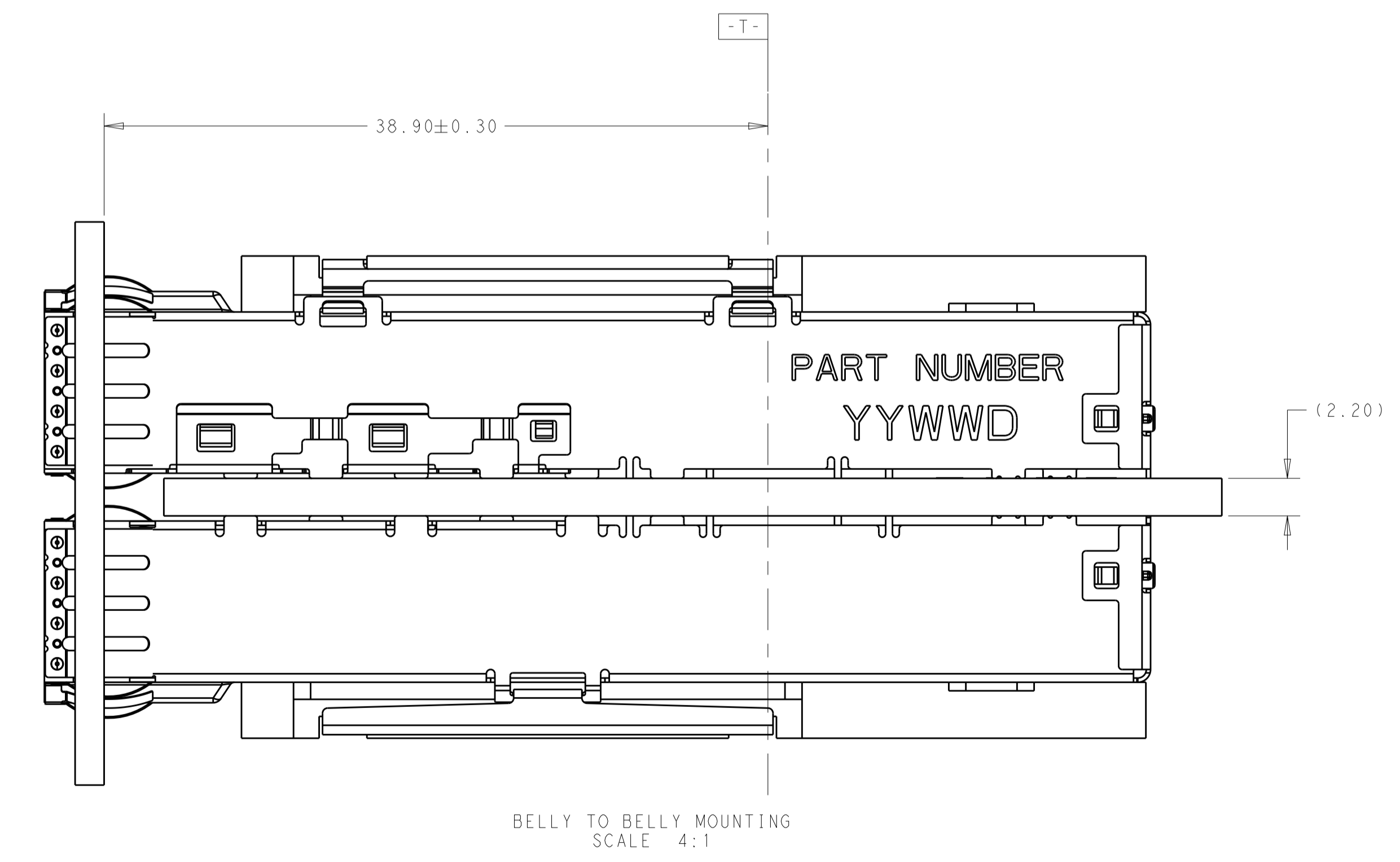
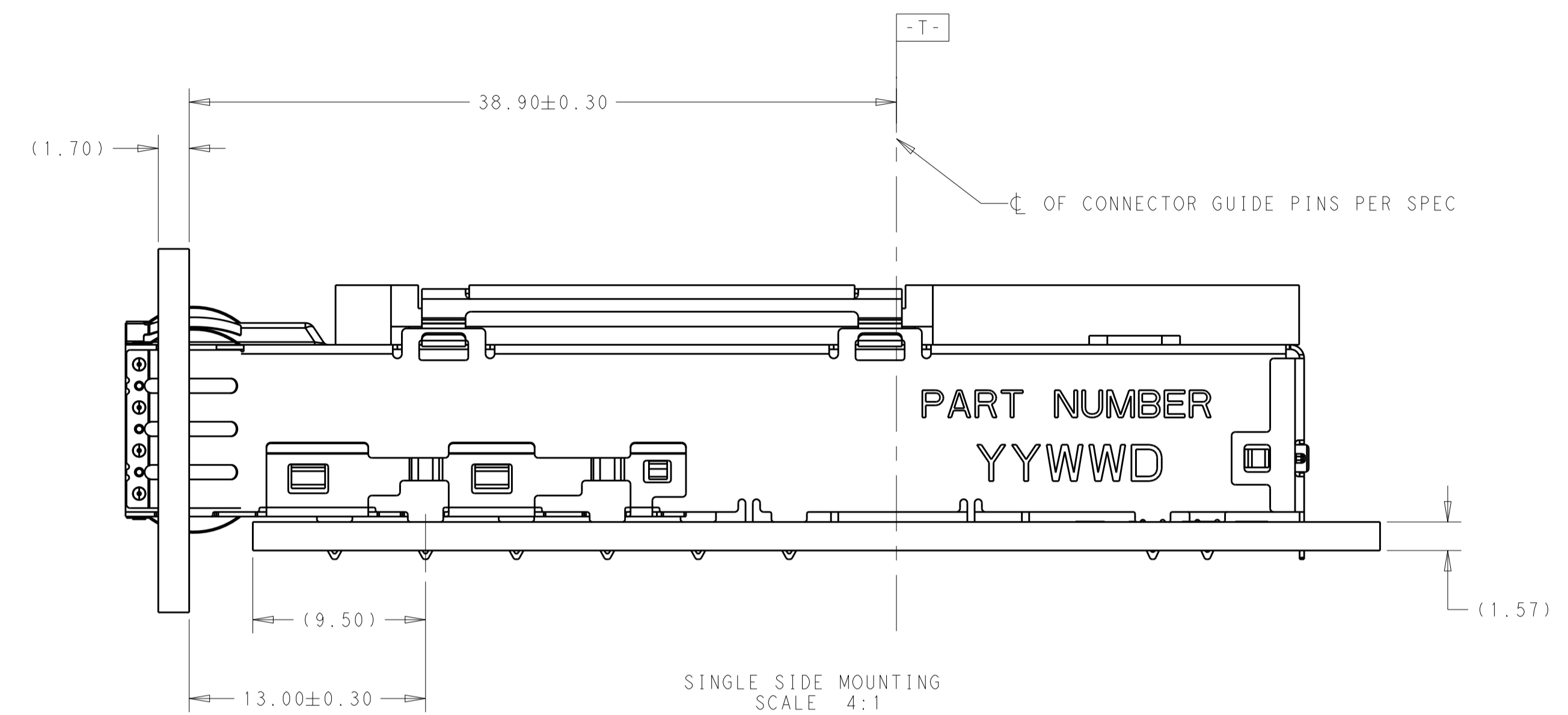
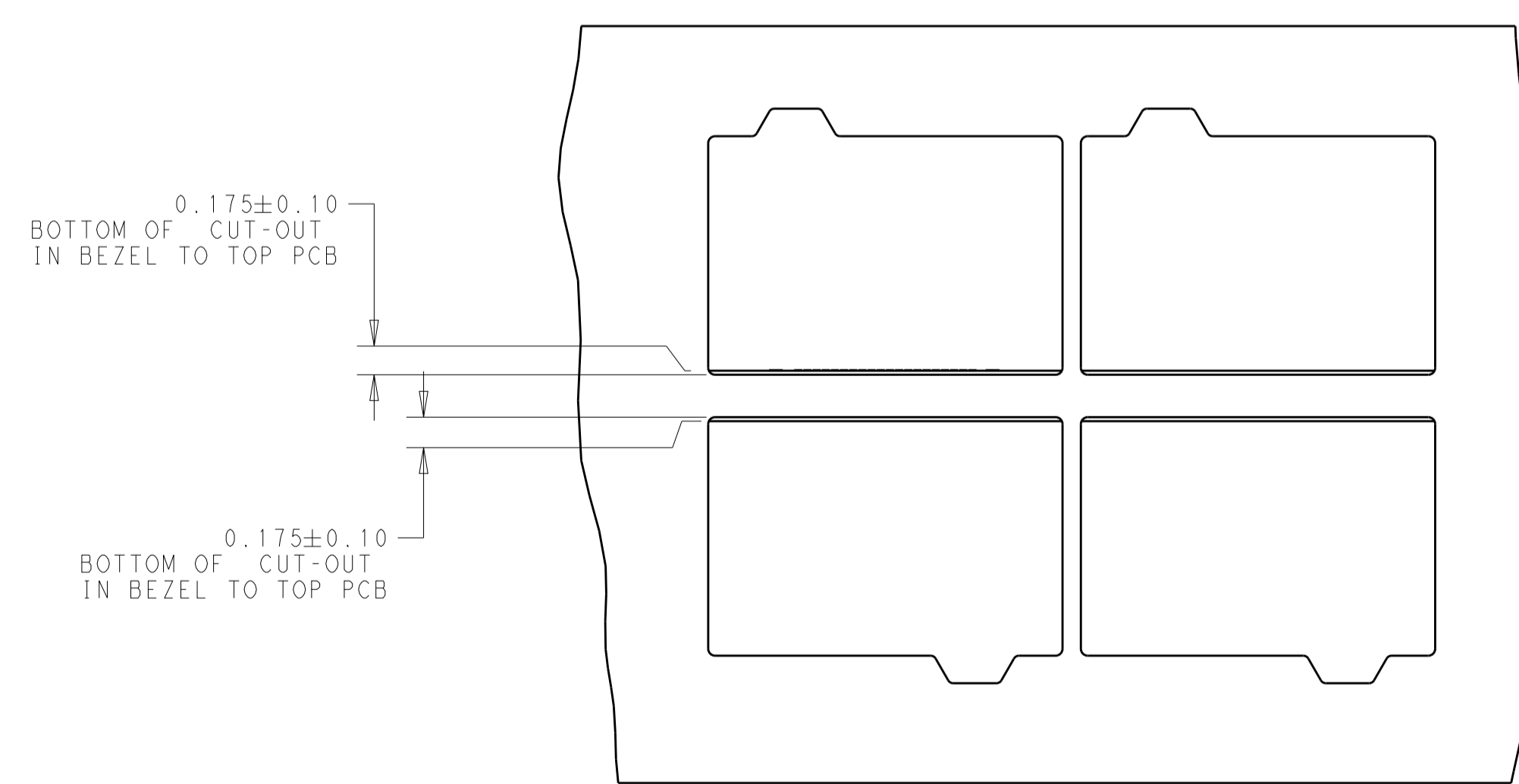
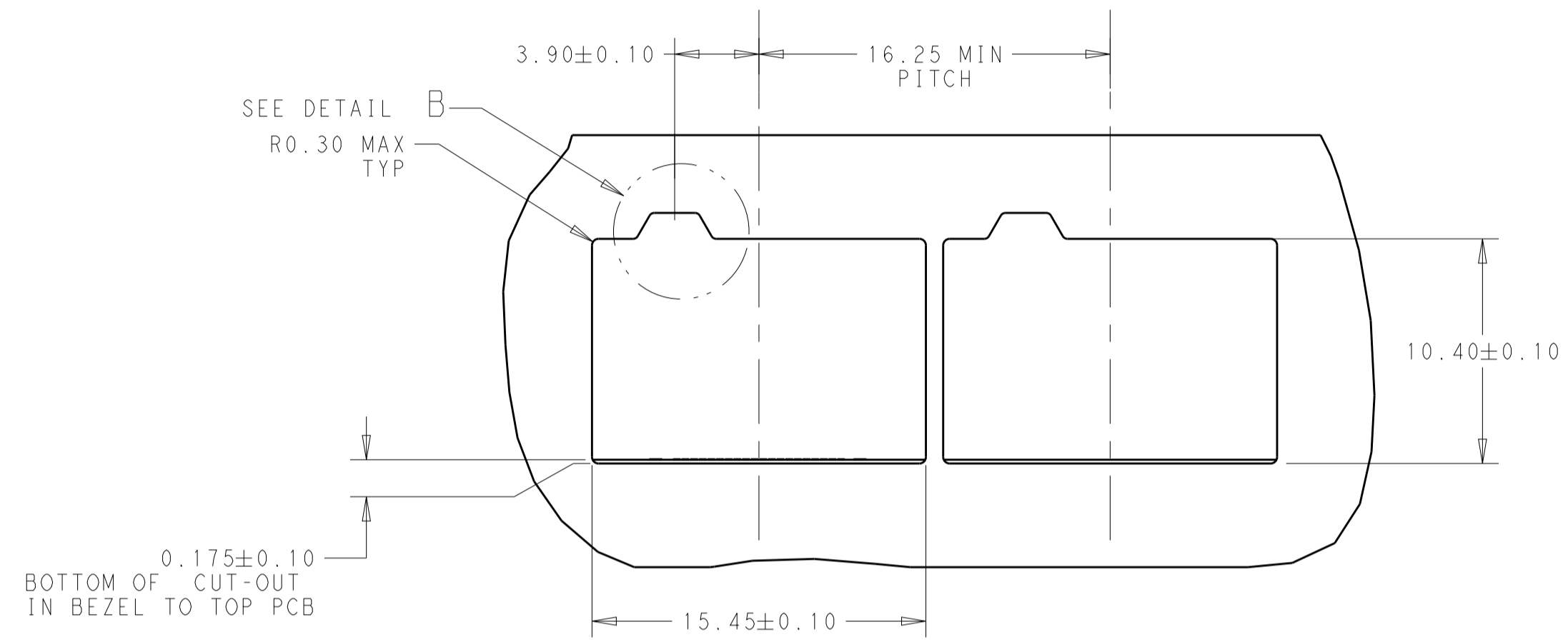
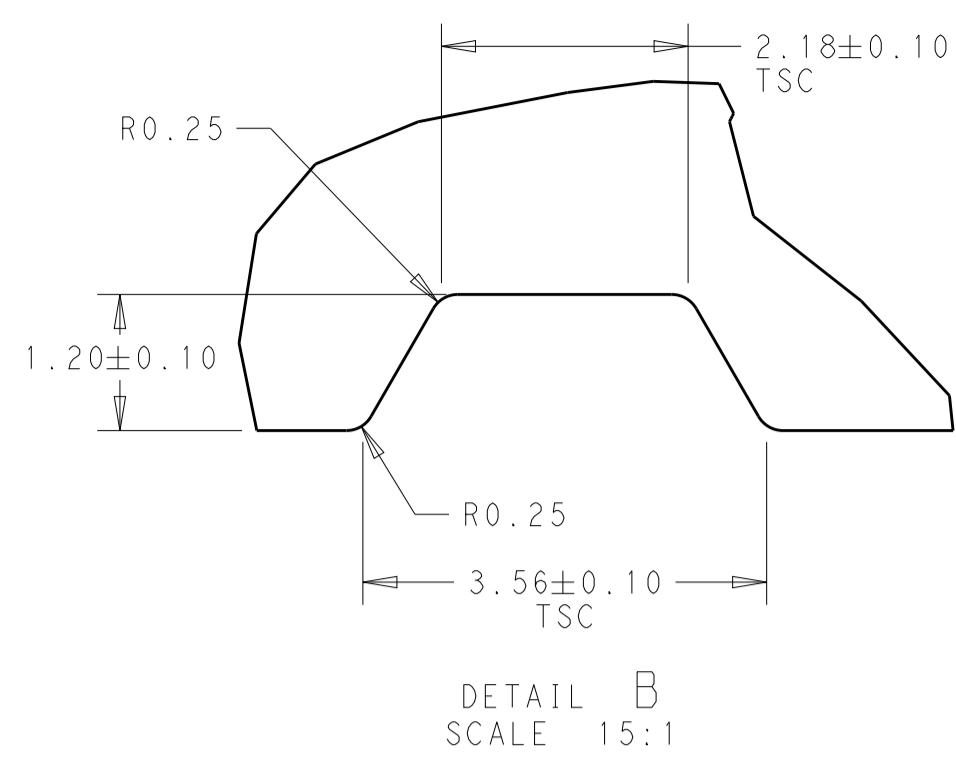
2359845-2 AS SHOWN  
W/ SAN HS  
SCALE 3:1



2359845-3 AS SHOWN  
W/ NET WORKING HS  
SCALE 3:1

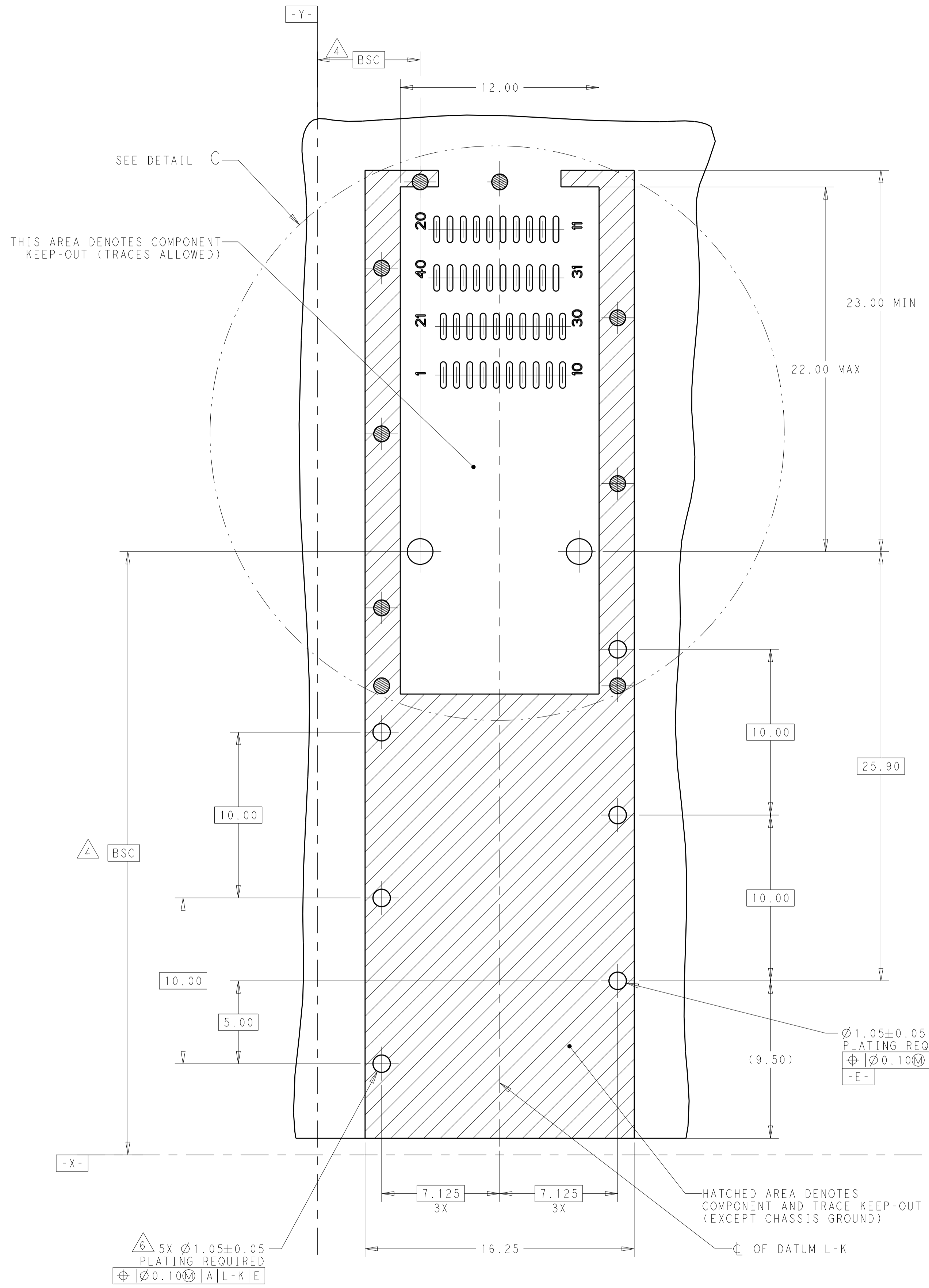
THIS DRAWING IS A CONTROLLED DOCUMENT.		DWN: ARTHUR_JLN 16JUL2019 CHK: SEAN_HAN 16JUL2019 APVD:		
DIMENSIONS: mm	TOLERANCES UNLESS OTHERWISE SPECIFIED: 0 PLC ± 1 PLC ±0.25 2 PLC ±0.20 3 PLC ±0.10 4 PLC ± ANGLES ± FINISH	PRODUCT SPEC: 108-60128 APPLICATION SPEC: 114-60027 WEIGHT:	NAME: CAGE ASSEMBLY, SFPDD 1X1 STANDARD, W/ GENERAL HS SIZE: A1 CAGE CODE: 00779 DRAWING NO: C=2359845 RESTRICTED TO:	
MATERIAL:		CUSTOMER DRAWING	SCALE: 3:1	SHEET 2 OF 5

REVISIONS				
P.	LTH	DESCRIPTION	DATE	APVD
		SEE SHEET 1		

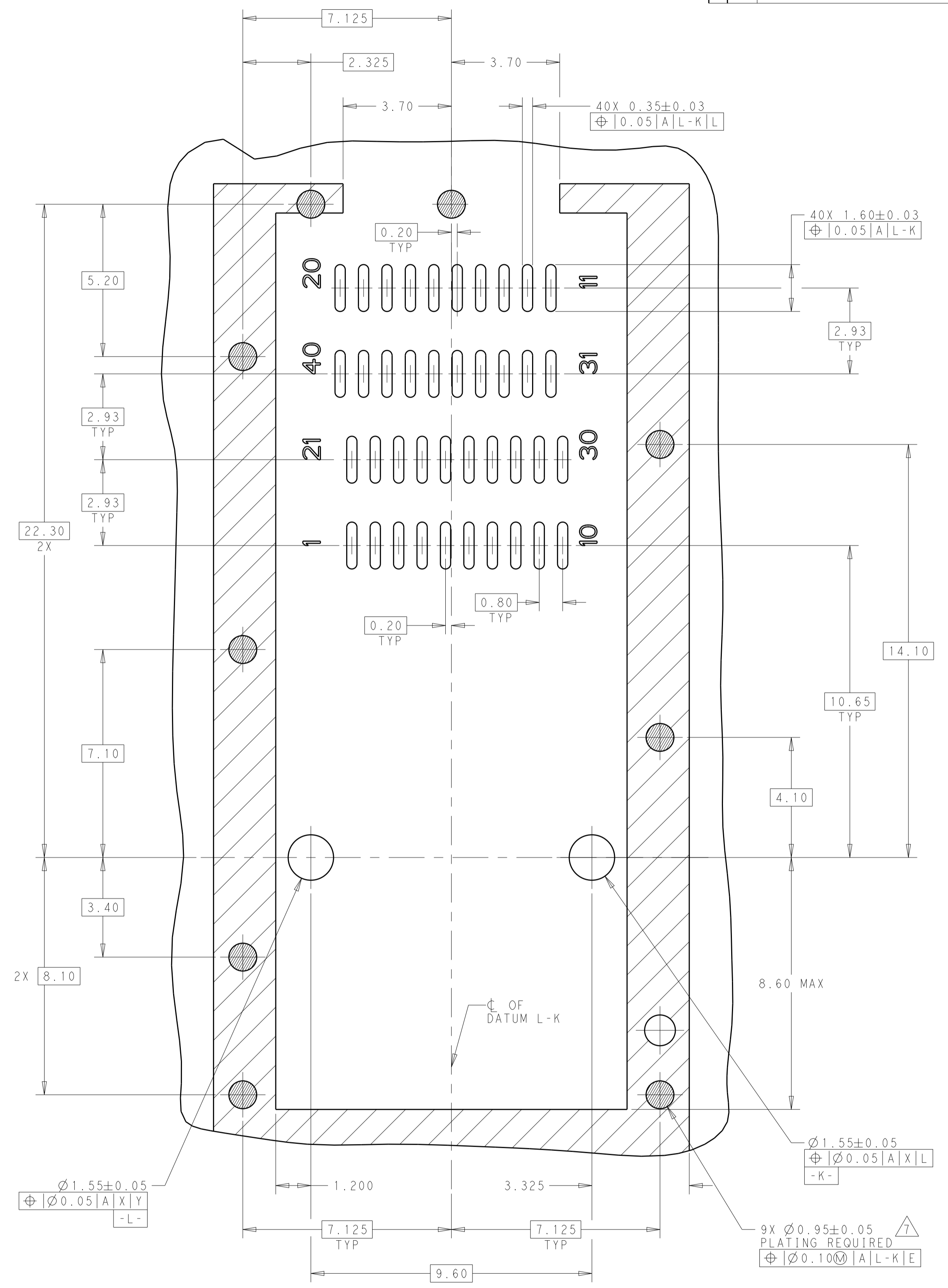


THIS DRAWING IS A CONTROLLED DOCUMENT.		OWN: ARTHUR JIN 16 JUL 2019	TE Connectivity
		CHK: SEAN HAN 16 JUL 2019	
DIMENSIONS:		APVD: -	NAME: CAGE ASSEMBLY, SFPDD 1X1 STANDARD, W/ GENERAL HS
TOLERANCES UNLESS OTHERWISE SPECIFIED:		PRODUCT SPEC: 108-60128	RESTRICTED TO: -
mm	0 PLC ±	APPLICATION SPEC: 114-60027	SIZE: A1
	1 PLC ±0.25	WEIGHT: -	CAGE CODE: 00779
	2 PLC ±0.20	CUSTOMER DRAWING	DRAWING NO: 2359845
	3 PLC ±0.10	SCALE: 3:1	SHEET: 3 OF 5
	4 PLC ±		REV: A
	ANGLES ±		
MATERIAL: -	FINISH: -		

REVISIONS				
P.	LTN.	DESCRIPTION	DATE	APPD.
		SEE SHEET 1		



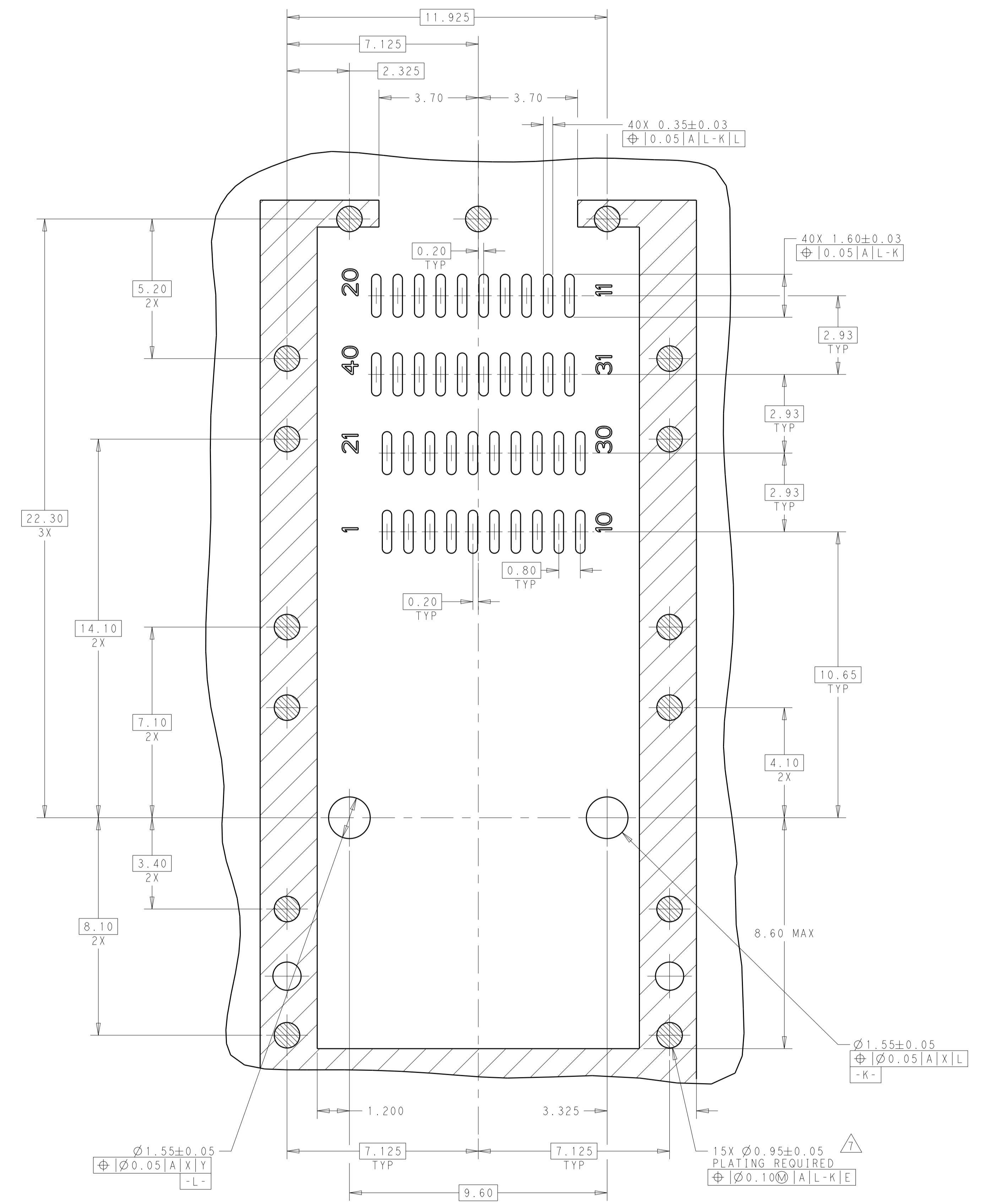
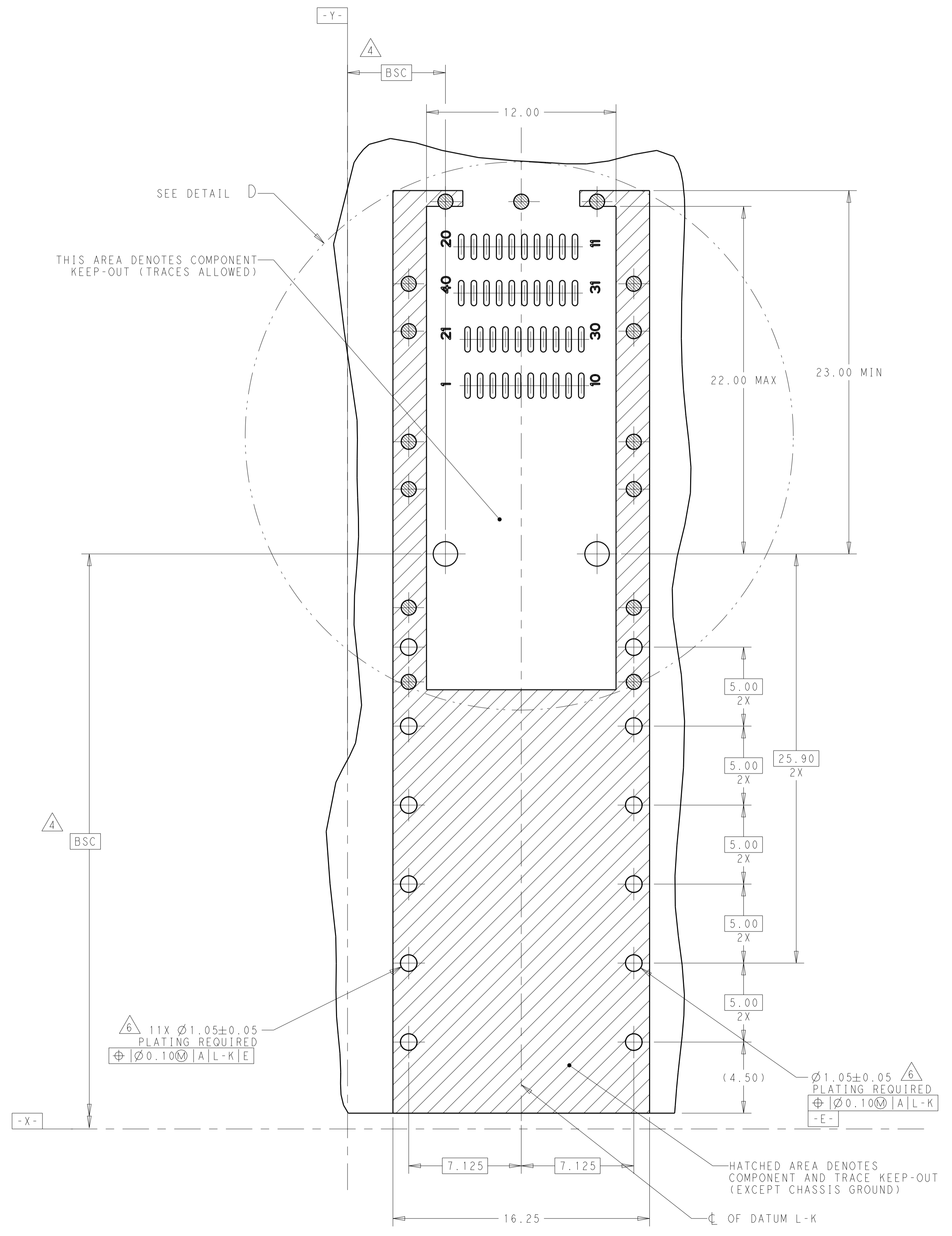
RECOMMENDED PCB LAYOUT  
SINGLE TYPE  
SCALE 6:1



DETAIL C  
SCALE 10:1

THIS DRAWING IS A CONTROLLED DOCUMENT.		DWN: ARTHUR JIN 16 JUL 2019	 TE Connectivity
DIMENSIONS: mm		CHK: SEAN HAN 16 JUL 2019	
TOLERANCES UNLESS OTHERWISE SPECIFIED:		APVD:	NAME: CAGE ASSEMBLY, SFPDD 1X1 STANDARD, W/ GENERAL HS
0 PLC	±	PRODUCT SPEC	108-60128
1 PLC	±0.25	APPLICATION SPEC	114-60027
2 PLC	±0.20	WEIGHT	A100779C=2359845
3 PLC	±0.10	CUSTOMER DRAWING	SCALE 3:1 SHEET 4 OF 5 REV A
4 PLC	±		
ANGLES	±		
MATERIAL	FINISH		

REVISIONS				
P.	LTN.	DESCRIPTION	DATE	APPD.
		SEE SHEET 1		



RECOMMENDED PCB LAYOUT  
 BELLY TO BELLY  
 SCALE 6:1

THIS DRAWING IS A CONTROLLED DOCUMENT.		OWN: ARTHUR JIN 16 JUL 2019	TE Connectivity
DIMENSIONS: mm		CHK: SEAN HAN 16 JUL 2019	
TOLERANCES UNLESS OTHERWISE SPECIFIED:		APVD:	NAME: CAGE ASSEMBLY, SFPDD 1X1 STANDARD, W/ GENERAL HS
0 PLC $\pm$ 1 PLC $\pm 0.25$ 2 PLC $\pm 0.20$ 3 PLC $\pm 0.10$ 4 PLC $\pm$ ANGLES $\pm$		PRODUCT SPEC: 108-60128	SIZE: CAGE CODE DRAWING NO: 114-60027
MATERIAL:		APPLICATION SPEC: 114-60027	RESTRICTED TO: A100779C=2359845
FINISH:		WEIGHT:	SCALE: 3:1 SHEET 5 OF 5 REV A
CUSTOMER DRAWING			

## X-ON Electronics

Largest Supplier of Electrical and Electronic Components

*Click to view similar products for [I/O Connectors](#) category:*

*Click to view products by [TE Connectivity](#) manufacturer:*

Other Similar products are found below :

[571763P](#) [D20419-211](#) [72.250.1628.2](#) [72.250.2428.2](#) [74720-0505](#) [76.350.0729.0](#) [76871-1403](#) [FCN-244F080-G/1](#) [FCN-260A9920](#) [MP-5T180MUNNA-005](#) [PCR-E36PM](#) [PCS-XE26MA+](#) [G38A71314B](#) [1571250010](#) [157-22500-3](#) [MS3471L14-19P L/C](#) [172501-4002](#) [172501-6002](#) [FCN-260C008-A/L0](#) [FCN-260C024-AL0](#) [FCN-261Z008](#) [2000314-1](#) [200331-1](#) [PCR-E36FC+](#) [PCS-E28FS+](#) [PCS-XE26SLFD+](#) [PCS-XE26SLFDT+](#) [G730VID08BDC24](#) [HDMR-29-01-S-SM-TR](#) [U90B2054081210](#) [UE86K842720321](#) [38113800006](#) [DP3AR020WQ1R200](#) [Z4.102.0680.0](#) [500-1040](#) [500-1052](#) [500-1054](#) [ZP-4008-66L](#) [0709821002](#) [5554841-1](#) [U90B3054061110](#) [U65-E04-4020](#) [ZPF00000000097891](#) [557-262M2-06C](#) [747360449](#) [10099439-003C-TRLF](#) [10137239-0021LF](#) [E9320-001-01](#) [10137239-0011LF](#) [70289-001LF](#)