

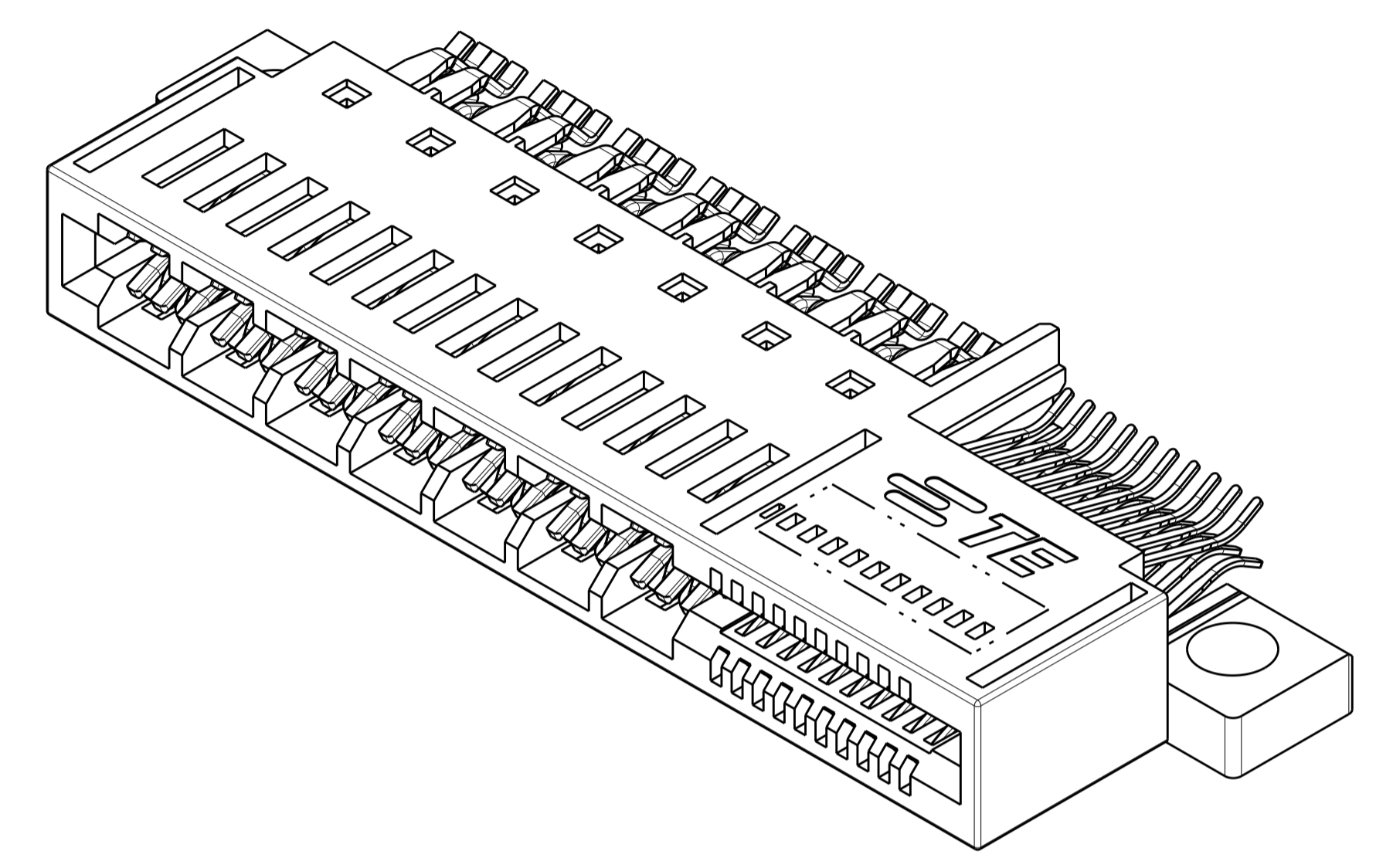
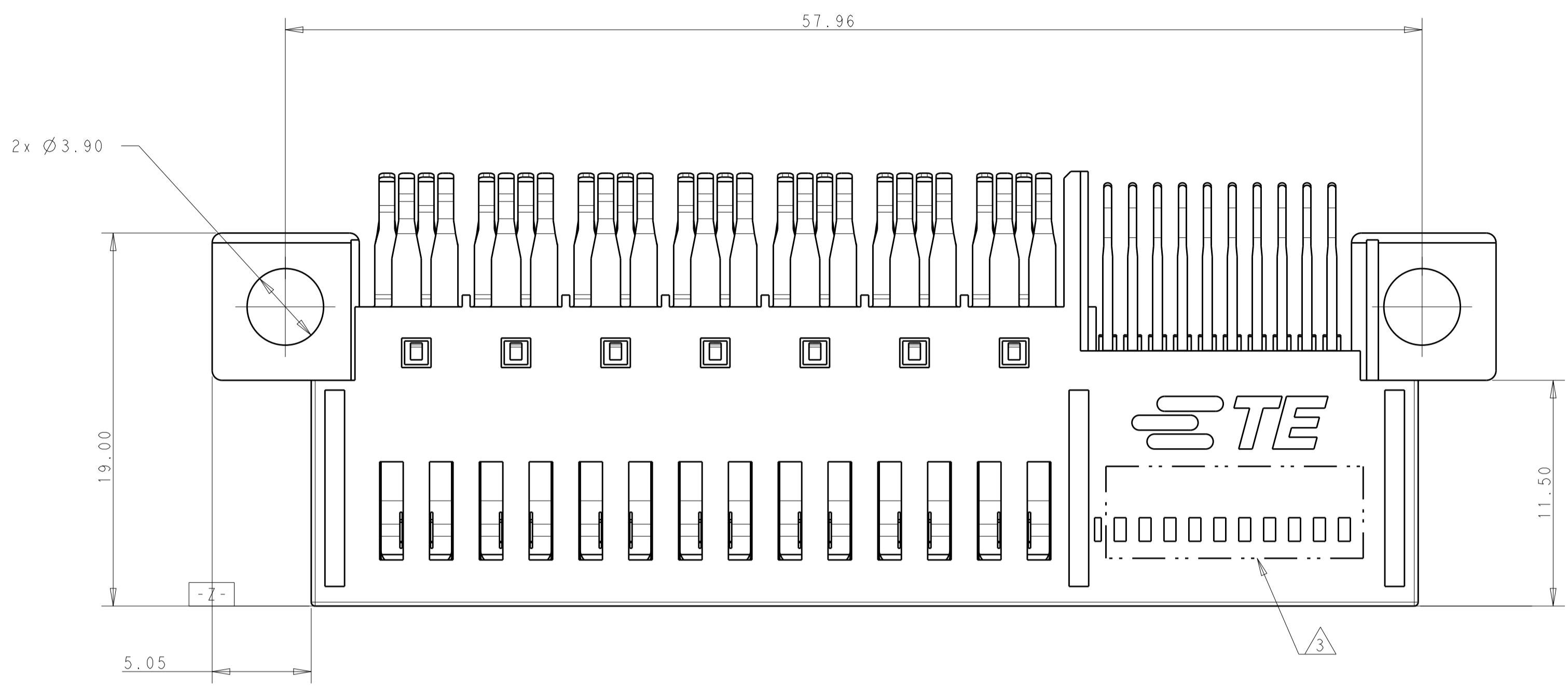
REVISIONS				
P	LTN	DESCRIPTION	DATE	OWN APVD
A		FIRST RELEASE	23JUN2020	SZ SZ

NOTES, UNLESS OTHERWISE SPECIFIED

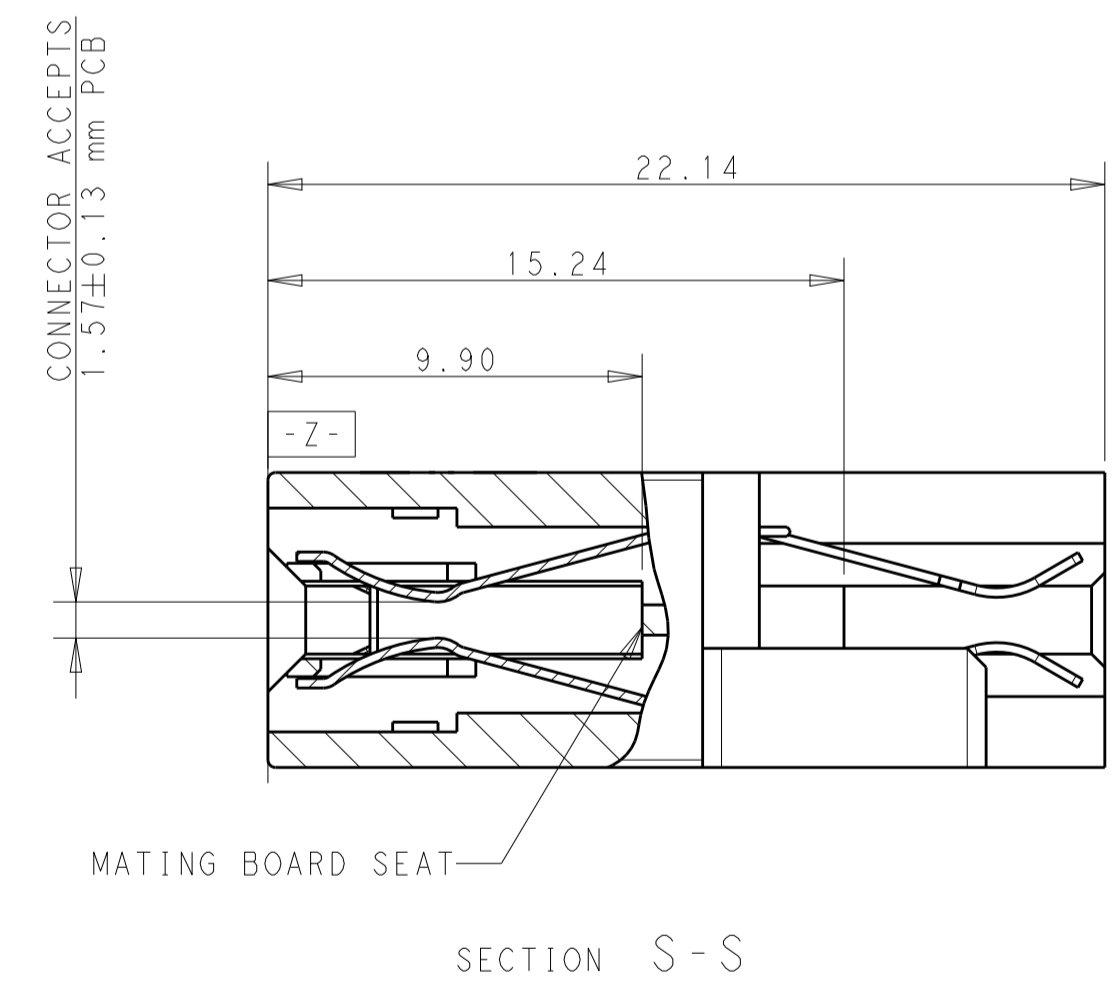
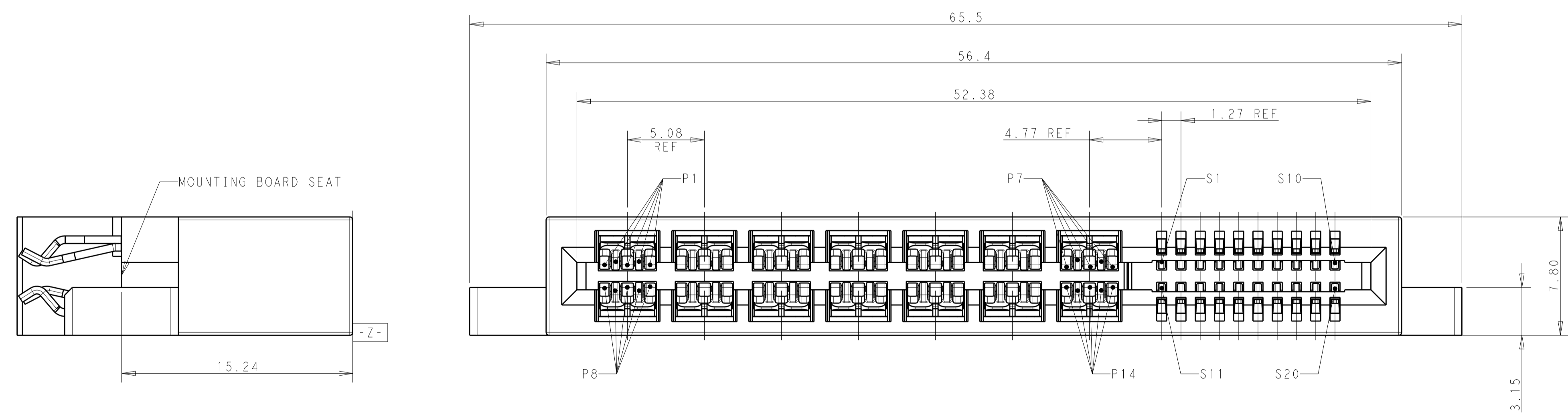
1. MATERIAL:
 HOUSING - THERMOPLASTIC, GLASS PREINFORCED, COLOR, BLACK, UL 94V-0
 CONTACTS - COPPER ALLOY.

2. FINISH:
 MATING AREA - NOBLE METAL OVERALL NICKEL.
 SOLDER TAIL - MATTE TIN OVERALL NICKEL.

3. MARK P/N AND DATA CODE IN APPROX. AREA AS SHOWN.



SCALE 4:1

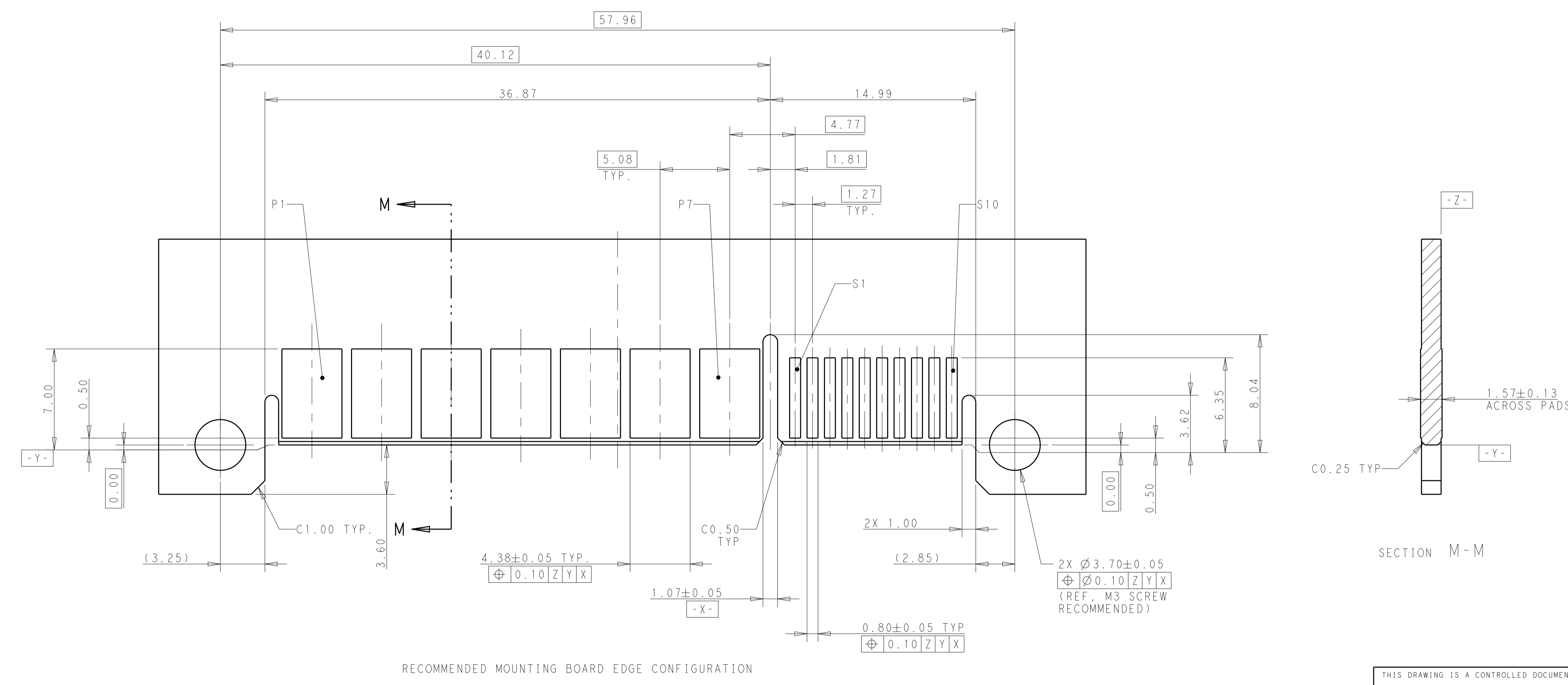
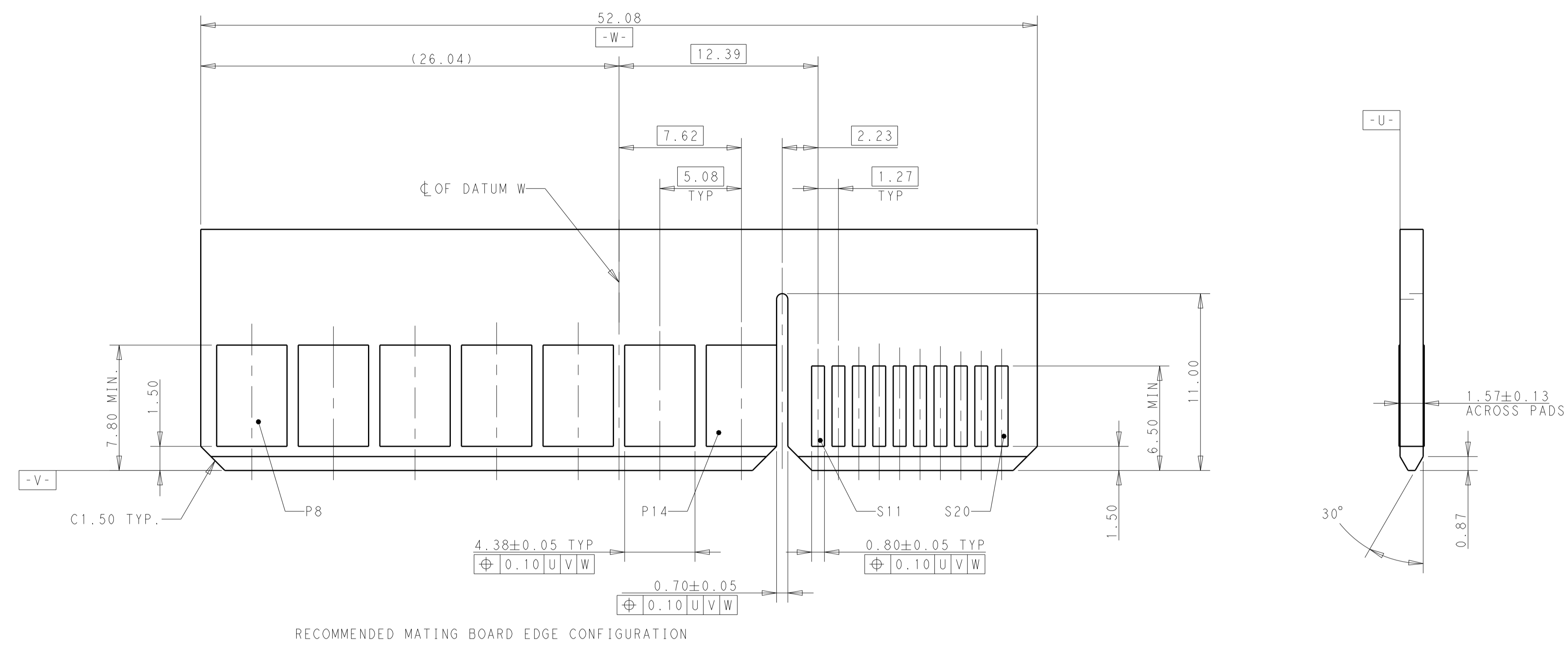


SECTION S-S

PART NUMBER 2360411-1

THIS DRAWING IS A CONTROLLED DOCUMENT.		OWN: SEAN ZHANG 30JUL2019	TE Connectivity	
DIMENSIONS: mm		CHK: SUNY ZHAO 30JUL2019	NAME: HD+ CARD EDGE 2X7P-2X10S, STRA, WITH M-EAR	
TOLERANCES UNLESS OTHERWISE SPECIFIED:		APVD: SUNY ZHAO 30JUL2019	PRODUCT SPEC	
0 PLC ±		APPLICATION SPEC	SIZE: A1	
1 PLC ±0.5		WEIGHT	CAGE CODE: C=2360411	
2 PLC ±0.25		CUSTOMER DRAWING	SCALE: 2:1	
3 PLC ±			SHEET 1 OF 2	
4 PLC ±			REV A	
ANGLES ±				
FINISH				

REVISIONS				
P.	LTH	DESCRIPTION	DATE	APVD
		SEE SHEET 1		



THIS DRAWING IS A CONTROLLED DOCUMENT.		OWN: SEAN ZHANG	30JUL2019		TE Connectivity										
DIMENSIONS: mm		CHK: SUNY ZHAO	30JUL2019		NAME: HD+ CARD EDGE										
TOLERANCES UNLESS OTHERWISE SPECIFIED:		APVD: SUNY ZHAO	30JUL2019	PRODUCT SPEC:	2X7P-2X10S, STRA, WITH M-EAR										
<table border="1"> <tr><td>0 PLC</td><td>±</td></tr> <tr><td>1 PLC</td><td>±0.10</td></tr> <tr><td>2 PLC</td><td>±0.05</td></tr> <tr><td>3 PLC</td><td>±</td></tr> <tr><td>4 PLC</td><td>±</td></tr> </table>		0 PLC	±	1 PLC	±0.10	2 PLC	±0.05	3 PLC	±	4 PLC	±	APPLICATION SPEC:		SIZE: A1	CAGE CODE: C=2360411
0 PLC	±														
1 PLC	±0.10														
2 PLC	±0.05														
3 PLC	±														
4 PLC	±														
MATERIAL: TBD		FINISH:		WEIGHT:											
CUSTOMER DRAWING		SCALE: 2:1	SHEET: 2 OF 2	REV: A											

X-ON Electronics

Largest Supplier of Electrical and Electronic Components

Click to view similar products for [Standard Card Edge Connectors](#) category:

Click to view products by [TE Connectivity](#) manufacturer:

Other Similar products are found below :

[CR7E-30DB-3.96E\(72\)](#) [6364499-1](#) [6565204-6](#) [PKC-156](#) [1437274-4](#) [147889-1](#) [1489165-4](#) [EBT15622B2X](#) [1-582587-1](#) [284-0102-12100](#)
[286-0052-12101A](#) [306022901000000](#) [307-012-502-202](#) [307-056-520-300](#) [2129318-1](#) [245-062-520-350](#) [287-0032-12101](#) [306-028-525-102](#)
[307-072-526-202](#) [345-060-559-303](#) [392-008-559-201](#) [534671-1](#) [341-240-317](#) [345-044-500-300](#) [346-240-318](#) [395-100-524-300](#) [09-07-2032](#)
[10035388-802LF](#) [10115859-011LF](#) [10122859-009LF](#) [10127905-B04B24BLF](#) [530555-1](#) [5-678046-1](#) [73726-0005](#) [66308-1](#) [1-1437275-6](#)
[PEC-07-02-T-S-A](#) [346-014-520-801](#) [307-048-502-202](#) [CE100F22-9-C](#) [CE100F26-7-C](#) [CE100F28-3-D](#) [CE156F18-9-C](#) [CE156F22-5-D](#)
[CE156F22-9-C](#) [CT100F22-2-D](#) [CT100F22-3-D](#) [CT100F24-2-D](#) [CT100F24-3-D](#) [CT100F24-6-C](#)