

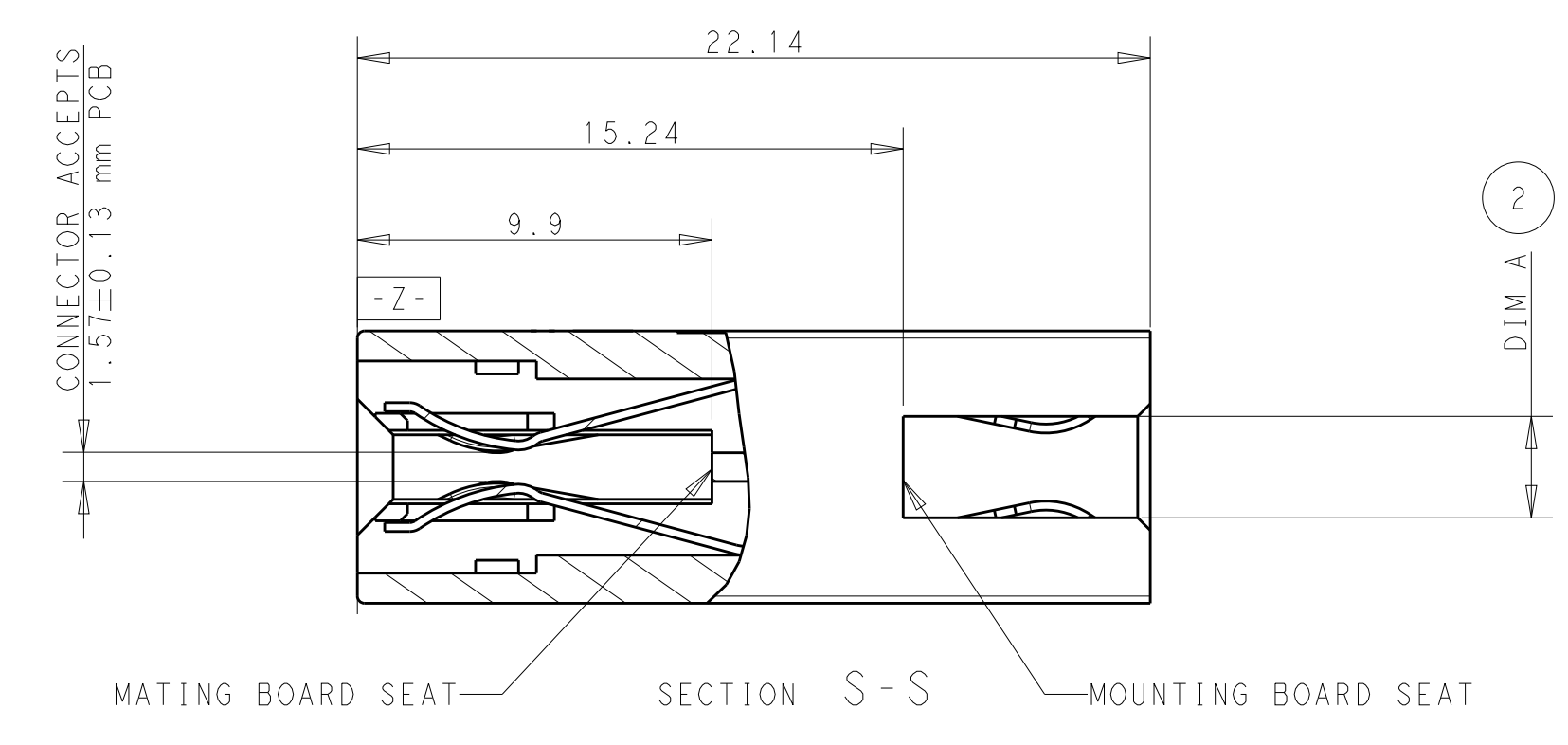
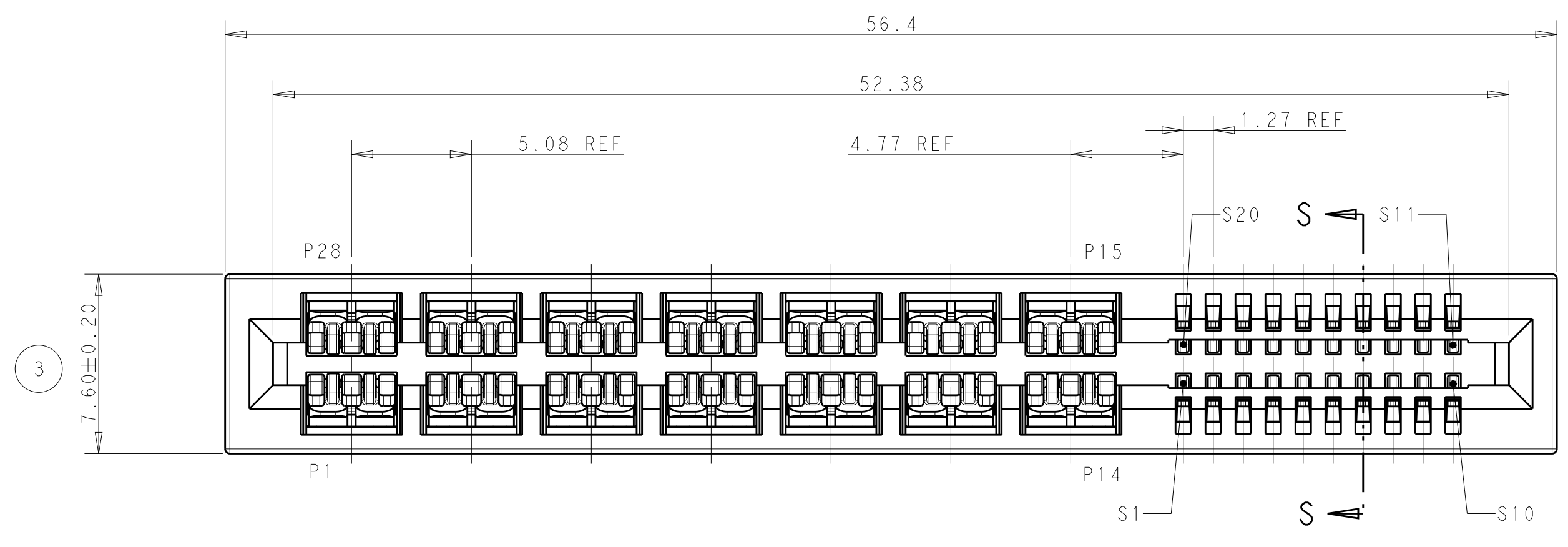
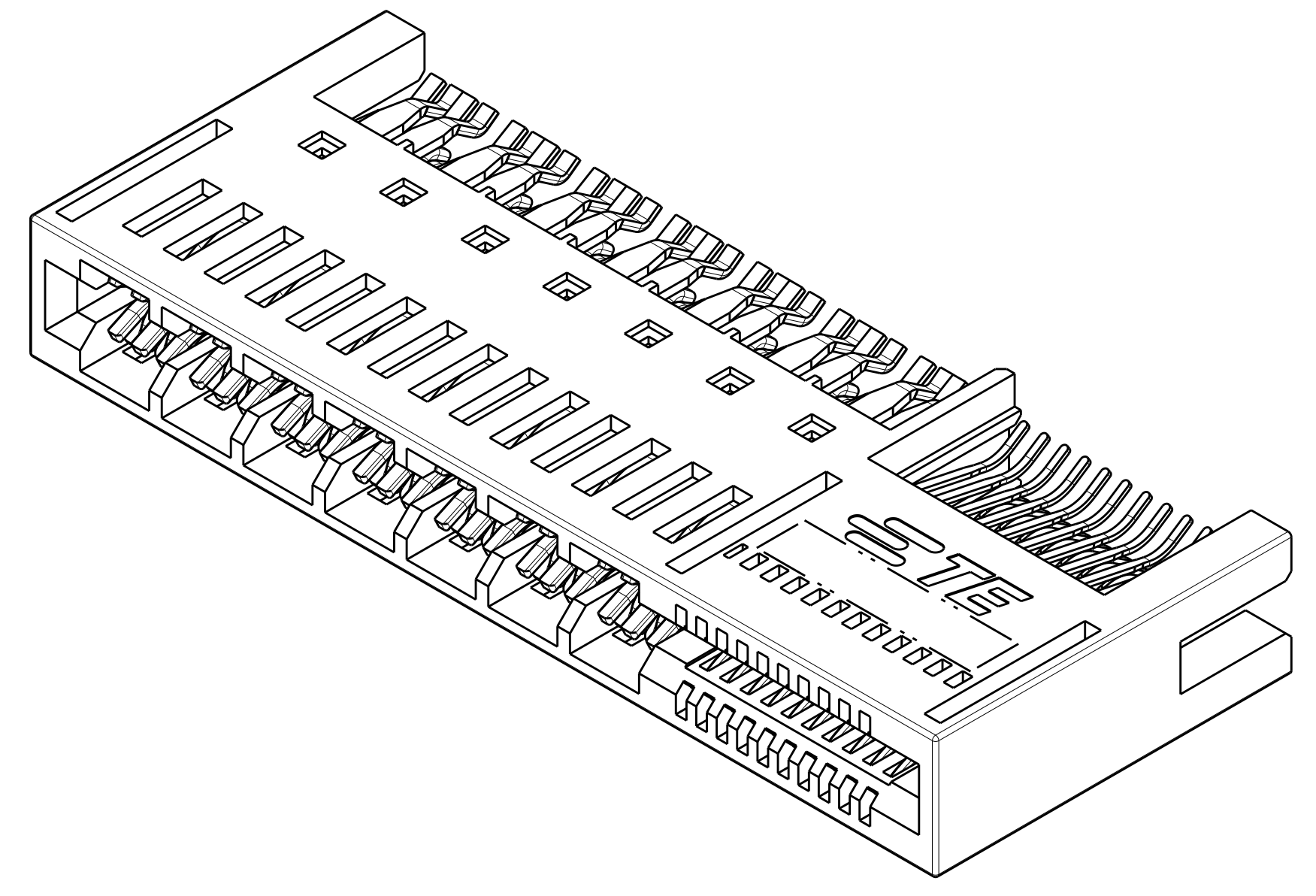
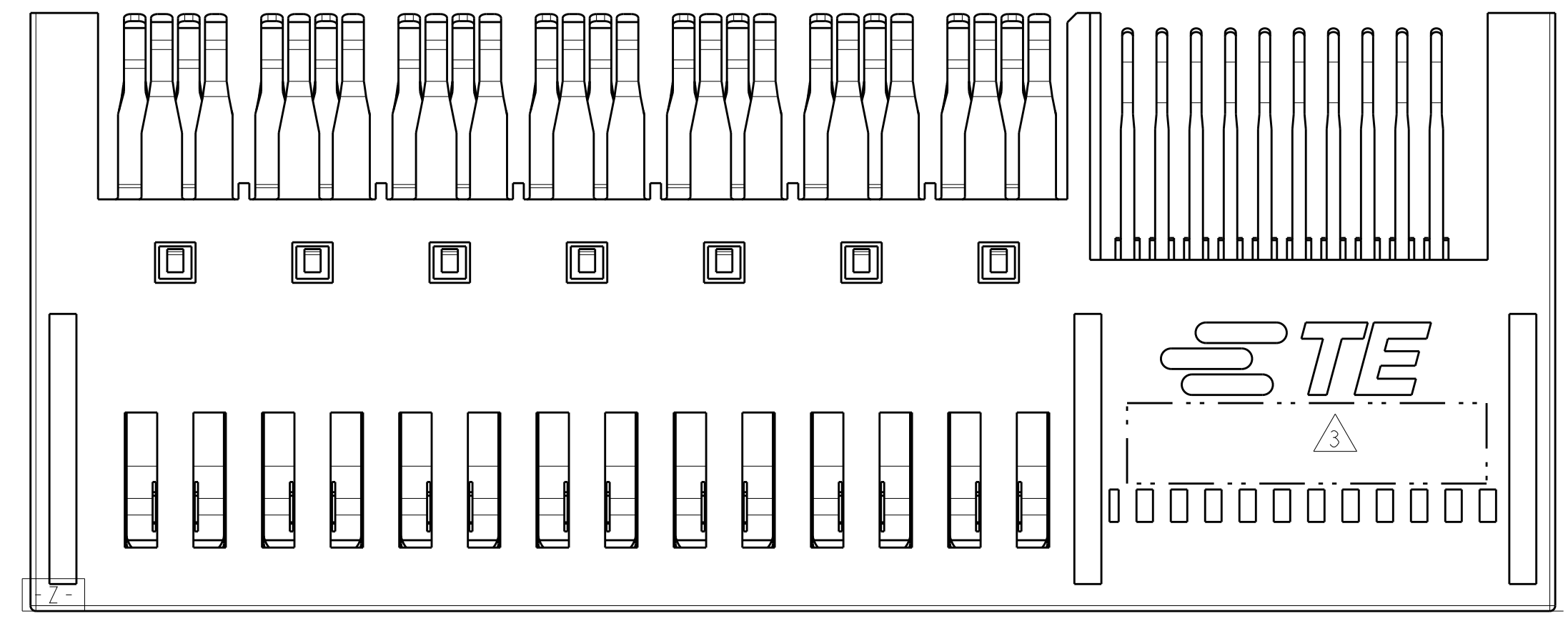
REVISIONS				
P	LTN	DESCRIPTION	DATE	APVD
A		FIRST RELEASE	23JUN2020	SZ SZ
A1		RENAME PIN# ASSIGNMENTS PER REQ'	03AUG2020	SZ SZ

NOTES, UNLESS OTHERWISE SPECIFIED

1. MATERIAL:
 HOUSING - THERMOPLASTIC, GLASS PREINFORCED, COLOR, BLACK, UL 94V-0
 CONTACTS - COPPER ALLOY.

2. FINISH:
 MATING AREA - NOBLE METAL OVERALL NICKEL.
 SOLDER TAIL - MATTE TIN OVERALL NICKEL.

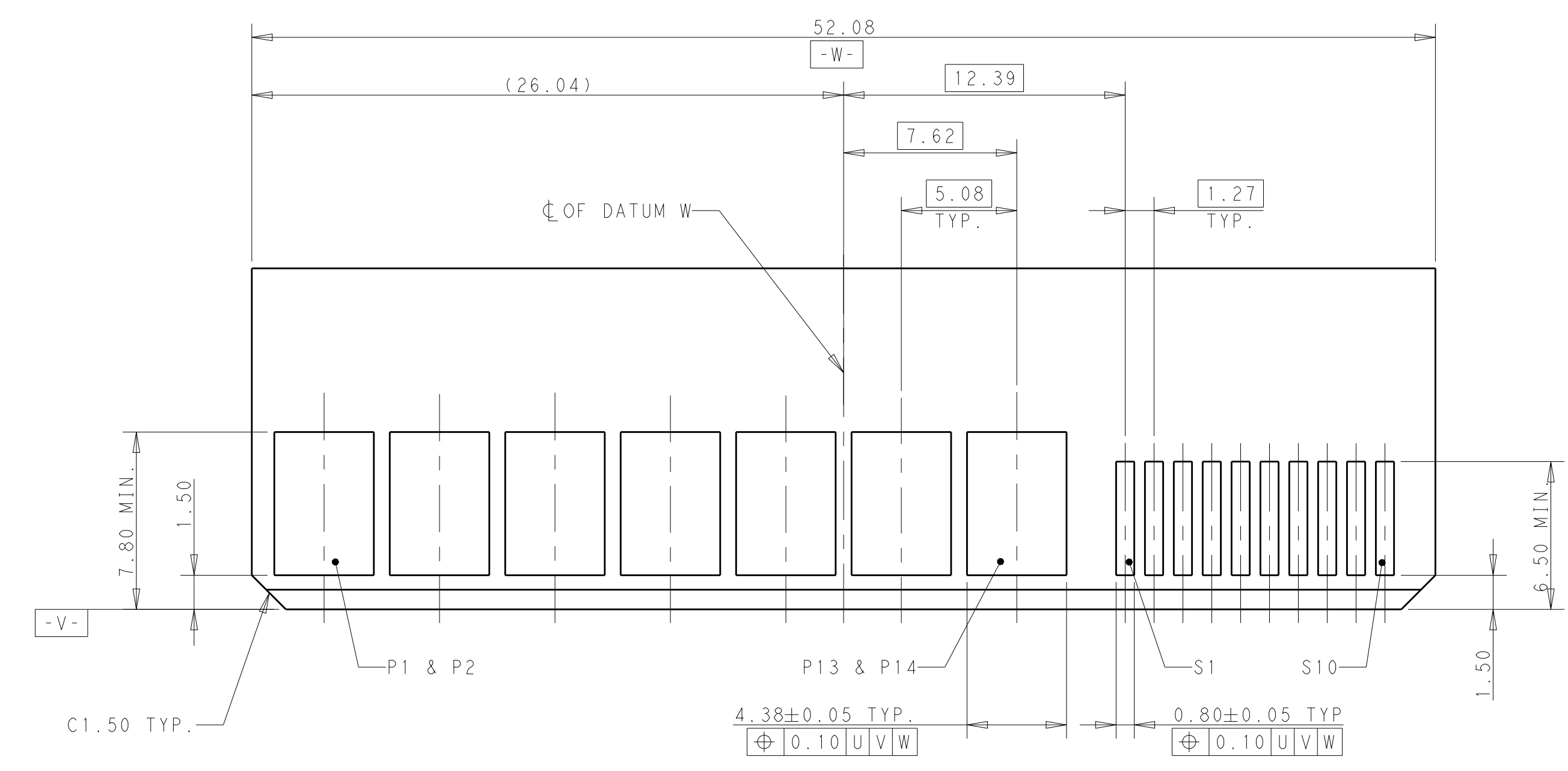
③ MARK P/N AND DATA CODE IN APPROX. AREA AS SHOWN.



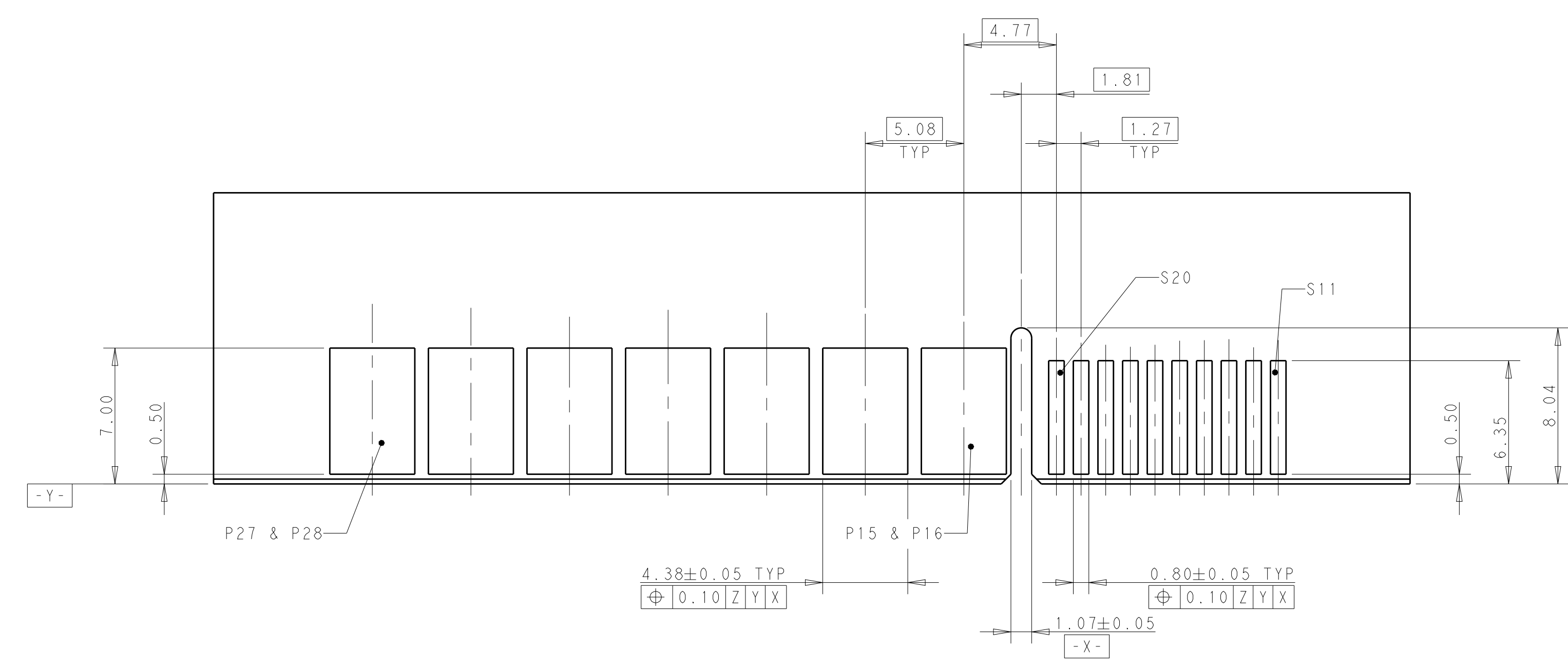
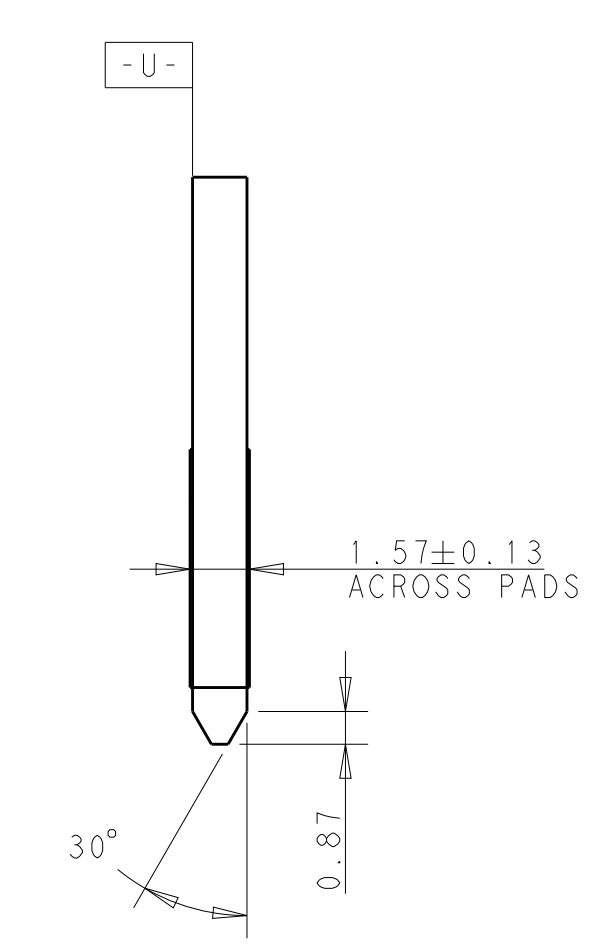
1.93±0.15	2.18	2360558-2
2.54±0.20	2.83	2360558-1
DIM B	DIM A	PART NUMBER
MOUNTING BOARD THICKNESS		

THIS DRAWING IS A CONTROLLED DOCUMENT.		OWN: SEAN ZHANG 29JUL2019	
DIMENSIONS: mm		CHK: SUNY ZHAO 29JUL2019	
TOLERANCES UNLESS OTHERWISE SPECIFIED:		NAME: HD+ CARD EDGE, 2X7P-2X10S, STRADDLE MOUNT	RESTRICTED TO A1 C=2360558
0 PLC ± 1 PLC ±0.5 2 PLC ±0.25 3 PLC ± 4 PLC ± ANGLES ±		PRODUCT SPEC: APPLICATION SPEC: WEIGHT: CUSTOMER DRAWING	
MATERIAL: FINISH:		SCALE: 2:1	SHEET 1 OF 2 REV A1

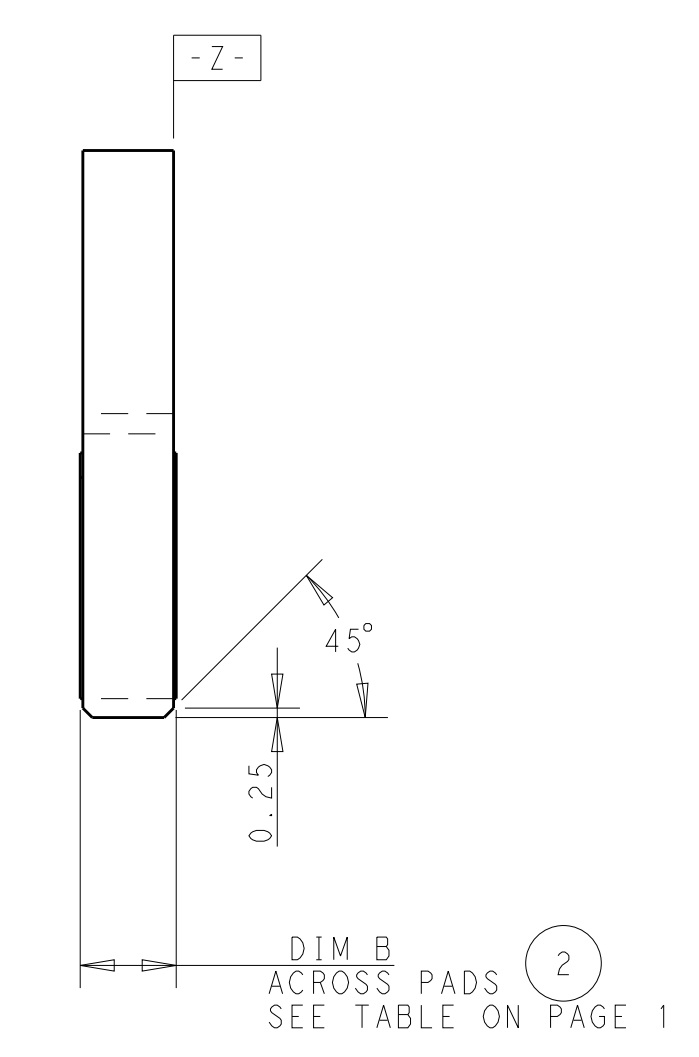
REVISIONS				
P.	LTN	DESCRIPTION	DATE	APVD
		SEE SHEET 1		



RECOMMENDED MATING BOARD EDGE CONFIGURATION



RECOMMENDED MOUNTING BOARD EDGE CONFIGURATION



THIS DRAWING IS A CONTROLLED DOCUMENT.		OWN: SEAN ZHANG 29JUL2019	 TE Connectivity
DIMENSIONS: mm		CHK: SUNY ZHAO 29JUL2019	
TOLERANCES UNLESS OTHERWISE SPECIFIED: 0 PLC ±0.20 1 PLC ±0.10 2 PLC ±0.10 3 PLC ±0.10 4 PLC ±0.10 ANGLES ±2°		NAME: HD+ CARD EDGE, 2X7P-2X10S, STRADDLE MOUNT	RESTRICTED TO: -
MATERIAL: TBD		APVD: SUNY ZHAO 29JUL2019	SIZE: A1
FINISH: -		PRODUCT SPEC: TBD	CAGE CODE: -
WEIGHT: -		APPLICATION SPEC: -	DRAWING NO: C=2360558
CUSTOMER DRAWING		SCALE: 2:1	SHEET 2 OF 2

X-ON Electronics

Largest Supplier of Electrical and Electronic Components

Click to view similar products for [Standard Card Edge Connectors](#) category:

Click to view products by [TE Connectivity](#) manufacturer:

Other Similar products are found below :

[CR7E-30DB-3.96E\(72\)](#) [6364499-1](#) [6565204-6](#) [PKC-156](#) [1437274-4](#) [147889-1](#) [1489165-4](#) [EBT15622B2X](#) [1-582587-1](#) [284-0102-12100](#)
[286-0052-12101A](#) [306022901000000](#) [307-012-502-202](#) [307-056-520-300](#) [2129318-1](#) [245-062-520-350](#) [287-0032-12101](#) [306-028-525-102](#)
[307-072-526-202](#) [345-060-559-303](#) [392-008-559-201](#) [534671-1](#) [341-240-317](#) [345-044-500-300](#) [346-240-318](#) [395-100-524-300](#) [09-07-2032](#)
[10035388-802LF](#) [10115859-011LF](#) [10122859-009LF](#) [10127905-B04B24BLF](#) [530555-1](#) [5-678046-1](#) [73726-0005](#) [66308-1](#) [1-1437275-6](#)
[PEC-07-02-T-S-A](#) [346-014-520-801](#) [307-048-502-202](#) [CE100F22-9-C](#) [CE100F26-7-C](#) [CE100F28-3-D](#) [CE156F18-9-C](#) [CE156F22-5-D](#)
[CE156F22-9-C](#) [CT100F22-2-D](#) [CT100F22-3-D](#) [CT100F24-2-D](#) [CT100F24-3-D](#) [CT100F24-6-C](#)