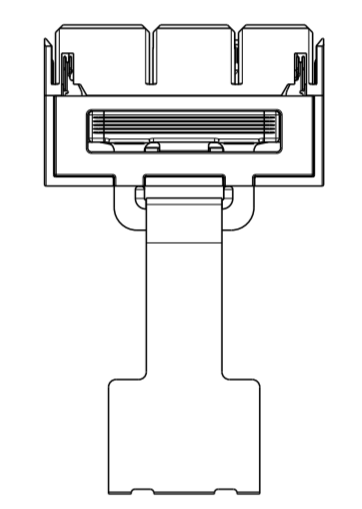
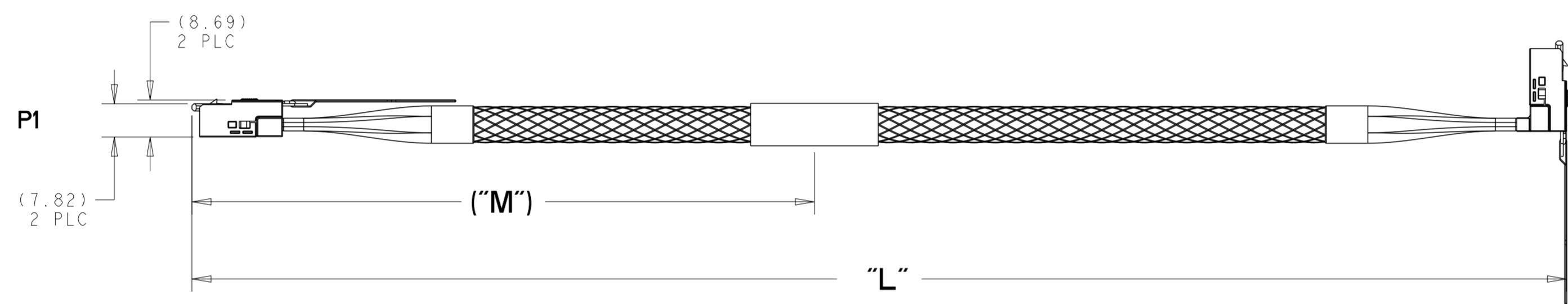
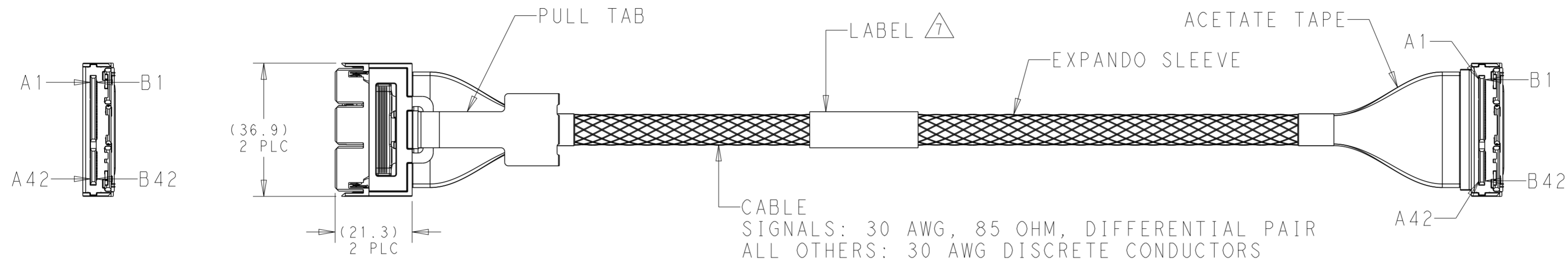


THIS DRAWING IS UNPUBLISHED. RELEASED FOR PUBLICATION 20
 © COPYRIGHT 20 BY - ALL RIGHTS RESERVED.

| REVISIONS | | | | |
|-----------|-----|---------------|-----------|-------|
| P | LTR | DESCRIPTION | DATE | APVD |
| B | | ECO-20-013466 | 24SEP2020 | NN DZ |
| | | | | |
| | | | | |



1. ALL MATERIALS, COMPONENTS AND PROCESS SHALL COMPLY WITH TEC-138-702. (CONTAINS NO BANNED OR RESTRICTED SUBSTANCES).
2. NO REACH SvHC SHALL BE CONTAINED ABOVE THE THRESHOLD AS DEFINED IN REACH SvHC COMPLIANCE DEFINITION IN ANNEX A OF TEC-138-702.
3. ASSEMBLY TESTED FOR CONTINUITY, OPENS, SHORTS, AND SIGNAL INTEGRITY.
4. CABLE BEND RADIUS 5X BUNDLE CABLE OD.
5. SEE SHEET 2 AND 3 FOR WIRING SCHEMATIC.
6. CONNECTORS ARE GEN-Z COMPLIANT.

△ LABEL INFORMATION SHOWN BELOW:



8. CABLE CONNECTOR MATES WITH TE SLIVER RECEPTACLE P/N 2331813-X, OR 2331814-X.


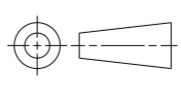
| | | |
|-------|-------------|-----------|
| 500 | 1000 +10/-0 | 2361344-2 |
| 250 | 500 +10/-0 | 2361344-1 |
| ("M") | "L" | TE P/N |

| | | | | |
|--|--|---|-----------------|--|
| THIS DRAWING IS A CONTROLLED DOCUMENT. | | DWN B. MATTHEWS 27AUG2019 | TE Connectivity | |
| | | CHK R. HENRY 27AUG2019 | | |
| DIMENSIONS: mm | | TOLERANCES UNLESS OTHERWISE SPECIFIED: 0 PLC ± 1 PLC ±0.5 2 PLC ±0.13 3 PLC ±0.013 4 PLC ±0.0001 ANGLES ± FINISH | | NAME: SLIVER 2.0 2C 30AWG STRAIGHT TO RIGHT ANGLE SIZE: A2 CAGE CODE: 00779 DRAWING NO: C-2361344 RESTRICTED TO: |
| MATERIAL: - | | APVD: - | | SCALE: 1:1 |
| MATERIAL: - | | PRODUCT SPEC: - | | SHEET 1 OF 3 |
| MATERIAL: - | | APPLICATION SPEC: - | | REV B |
| MATERIAL: - | | WEIGHT: - | | |
| MATERIAL: - | | CUSTOMER DRAWING | | |

THIS DRAWING IS UNPUBLISHED. RELEASED FOR PUBLICATION 20
 © COPYRIGHT 20 BY - ALL RIGHTS RESERVED.

| REVISIONS | | | | | |
|-----------|-----|-------------|------|-----|------|
| P | LTR | DESCRIPTION | DATE | DWN | APVD |
| - | - | SEE SHEET 1 | - | - | - |
| | | | | | |
| | | | | | |


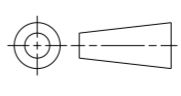
| PIN NO. | PAIR NO. | DESIGNATION | WIRE TYPE | P2 | | |
|---------|----------|-------------|-----------|-------------|----------|---------|
| | | | | DESIGNATION | PAIR NO. | PIN NO. |
| A1 | | GROUND | DISCRETE | GROUND | | A1 |
| A2 | | GROUND | DISCRETE | GROUND | | A2 |
| A3 | | GROUND | DISCRETE | GROUND | | A3 |
| A4 | | GROUND | DISCRETE | GROUND | | A4 |
| A5 | | GROUND | DISCRETE | GROUND | | A5 |
| A6 | | GROUND | DISCRETE | GROUND | | A6 |
| A7 | | SIDE BAND | DISCRETE | SIDE BAND | | A7 |
| A8 | | SIDE BAND | DISCRETE | SIDE BAND | | A8 |
| A9 | | SIDE BAND | DISCRETE | SIDE BAND | | A9 |
| A10 | | SIDE BAND | DISCRETE | SIDE BAND | | A10 |
| A11 | | SIDE BAND | DISCRETE | SIDE BAND | | A11 |
| A12 | | SIDE BAND | DISCRETE | SIDE BAND | | A12 |
| A13 | | GND | | GND | | A13 |
| A14 | | CLK | DIFF PAIR | CLK | | A14 |
| A15 | | CLK | DIFF PAIR | CLK | | A15 |
| A16 | | GND | | GND | | A16 |
| A17 | 0 | PCIeTX | DIFF PAIR | PCIeTX | 0 | A17 |
| A18 | 0 | PCIe TX | DIFF PAIR | PCIe TX | 0 | A18 |
| A19 | | GND | | GND | | A19 |
| A20 | 1 | PCIeTX | DIFF PAIR | PCIeTX | 1 | A20 |
| A21 | 1 | PCIe TX | DIFF PAIR | PCIe TX | 1 | A21 |
| A22 | | GND | | GND | | A22 |
| A23 | 2 | PCIeTX | DIFF PAIR | PCIeTX | 2 | A23 |
| A24 | 2 | PCIe TX | DIFF PAIR | PCIe TX | 2 | A24 |
| A25 | | GND | | GND | | A25 |
| A26 | 3 | PCIeTX | DIFF PAIR | PCIeTX | 3 | A26 |
| A27 | 3 | PCIe TX | DIFF PAIR | PCIe TX | 3 | A27 |
| A28 | | GND | | GND | | A28 |
| | | KEY | | KEY | | |
| A29 | | GND | | GND | | A29 |
| A30 | 4 | PCIeTX | DIFF PAIR | PCIeTX | 4 | A30 |
| A31 | 4 | PCIe TX | DIFF PAIR | PCIe TX | 4 | A31 |
| A32 | | GND | | GND | | A32 |
| A33 | 5 | PCIeTX | DIFF PAIR | PCIeTX | 5 | A33 |
| A34 | 5 | PCIe TX | DIFF PAIR | PCIe TX | 5 | A34 |
| A35 | | GND | | GND | | A35 |
| A36 | 6 | PCIeTX | DIFF PAIR | PCIeTX | 6 | A36 |
| A37 | 6 | PCIe TX | DIFF PAIR | PCIe TX | 6 | A37 |
| A38 | | GND | | GND | | A38 |
| A39 | 7 | PCIeTX | DIFF PAIR | PCIeTX | 7 | A39 |
| A40 | 7 | PCIe TX | DIFF PAIR | PCIe TX | 7 | A40 |
| A41 | | GND | | GND | | A41 |
| A42 | | SIDE BAND | DISCRETE | SIDE BAND | | A42 |

| | | | | |
|---|--|--|---|--|
| THIS DRAWING IS A CONTROLLED DOCUMENT. | | DWN B. MATTHEWS 27AUG2019 |  TE Connectivity | |
| DIMENSIONS: mm | | CHK R. HENRY 27AUG2019 | | |
|  | | TOLERANCES UNLESS OTHERWISE SPECIFIED: 0 PLC ± 1 PLC ±0.5 2 PLC ±0.13 3 PLC ±0.013 4 PLC ±0.001 ANGLES ± | | NAME SLIVER 2.0 2C 30AWG STRAIGHT TO RIGHT ANGLE |
| MATERIAL | | APVD | PRODUCT SPEC | SIZE |
| - | | - | - | A200779 |
| - | | FINISH | APPLICATION SPEC | CAGE CODE |
| - | | - | - | C-2361344 |
| - | | WEIGHT | RESTRICTED TO | DRAWING NO |
| - | | - | - | SCALE 1:1 SHEET 2 OF 3 REV B |
| - | | CUSTOMER DRAWING | | |

THIS DRAWING IS UNPUBLISHED. RELEASED FOR PUBLICATION 20
 © COPYRIGHT 20 BY - ALL RIGHTS RESERVED.

| REVISIONS | | | | | |
|-----------|-----|-------------|------|-----|------|
| P | LTR | DESCRIPTION | DATE | DWN | APVD |
| - | - | SEE SHEET 1 | - | - | - |
| | | | | | |
| | | | | | |
| | | | | | |

| P1 | | | | WIRE TYPE | P2 | | |
|---------|----------|---------------|-------------|---------------|----------|---------|--|
| PIN NO. | PAIR NO. | DESIGNATION | DESIGNATION | | PAIR NO. | PIN NO. | |
| B1 | | 12V POWER | DISCRETE | 12V POWER | | B1 | |
| B2 | | 12V POWER | DISCRETE | 12V POWER | | B2 | |
| B3 | | 12V POWER | DISCRETE | 12V POWER | | B3 | |
| B4 | | 12V POWER | DISCRETE | 12V POWER | | B4 | |
| B5 | | 12V POWER | DISCRETE | 12V POWER | | B5 | |
| B6 | | 12V POWER | DISCRETE | 12V POWER | | B6 | |
| B7 | | SIDE BAND | DISCRETE | SIDE BAND | | B7 | |
| B8 | | SIDE BAND | DISCRETE | SIDE BAND | | B8 | |
| B9 | | SIDE BAND | DISCRETE | SIDE BAND | | B9 | |
| B10 | | SIDE BAND | DISCRETE | SIDE BAND | | B10 | |
| B11 | | 3.3 AUX POWER | DISCRETE | 3.3 AUX POWER | | B11 | |
| B12 | | SIDE BAND | DISCRETE | SIDE BAND | | B12 | |
| B13 | | GND | | GND | | B13 | |
| B14 | | CLK | DIFF PAIR | CLK | | B14 | |
| B15 | | CLK | DIFF PAIR | CLK | | B15 | |
| B16 | | GND | | GND | | B16 | |
| B17 | 0 | PCIe RX | DIFF PAIR | PCIe RX | 0 | B17 | |
| B18 | 0 | PCIe RX | DIFF PAIR | PCIe RX | 0 | B18 | |
| B19 | | GND | | GND | | B19 | |
| B20 | 1 | PCIe RX | DIFF PAIR | PCIe RX | 1 | B20 | |
| B21 | 1 | PCIe RX | DIFF PAIR | PCIe RX | 1 | B21 | |
| B22 | | GND | | GND | | B22 | |
| B23 | 2 | PCIe RX | DIFF PAIR | PCIe RX | 2 | B23 | |
| B24 | 2 | PCIe RX | DIFF PAIR | PCIe RX | 2 | B24 | |
| B25 | | GND | | GND | | B25 | |
| B26 | 3 | PCIe RX | DIFF PAIR | PCIe RX | 3 | B26 | |
| B27 | 3 | PCIe RX | DIFF PAIR | PCIe RX | 3 | B27 | |
| B28 | | GND | | GND | | B28 | |
| | | KEY | | KEY | | | |
| B29 | | GND | | GND | | B29 | |
| B30 | 4 | PCIe RX | DIFF PAIR | PCIe RX | 4 | B30 | |
| B31 | 4 | PCIe RX | DIFF PAIR | PCIe RX | 4 | B31 | |
| B32 | | GND | | GND | | B32 | |
| B33 | 5 | PCIe RX | DIFF PAIR | PCIe RX | 5 | B33 | |
| B34 | 5 | PCIe RX | DIFF PAIR | PCIe RX | 5 | B34 | |
| B35 | | GND | | GND | | B35 | |
| B36 | 6 | PCIe RX | DIFF PAIR | PCIe RX | 6 | B36 | |
| B37 | 6 | PCIe RX | DIFF PAIR | PCIe RX | 6 | B37 | |
| B38 | | GND | | GND | | B38 | |
| B39 | 7 | PCIe RX | DIFF PAIR | PCIe RX | 7 | B39 | |
| B40 | 7 | PCIe RX | DIFF PAIR | PCIe RX | 7 | B40 | |
| B41 | | GND | | GND | | B41 | |
| B42 | | SIDE BAND | DISCRETE | SIDE BAND | | B42 | |

| | | | | |
|---|--|--|---|--|
| THIS DRAWING IS A CONTROLLED DOCUMENT. | | DWN B. MATTHEWS 27AUG2019 |  TE Connectivity | |
| DIMENSIONS: mm | | CHK R. HENRY 27AUG2019 | | |
|  | | TOLERANCES UNLESS OTHERWISE SPECIFIED: 0 PLC ±- 1 PLC ±0.5 2 PLC ±0.13 3 PLC ±0.013 4 PLC ±0.001 ANGLES ±- | | NAME SLIVER 2.0 2C 30AWG STRAIGHT TO RIGHT ANGLE |
| MATERIAL | | APVD | PRODUCT SPEC | RESTRICTED TO |
| - | | - | APPLICATION SPEC | SIZE |
| - | | WEIGHT | - | CAGE CODE |
| - | | CUSTOMER DRAWING | | DRAWING NO |
| - | | SCALE 1:1 | | A200779 |
| - | | SHEET 3 OF 3 | | REV B |

X-ON Electronics

Largest Supplier of Electrical and Electronic Components

Click to view similar products for [Rectangular Cable Assemblies](#) category:

Click to view products by [TE Connectivity](#) manufacturer:

Other Similar products are found below :

[MC320E-N-23](#) [A08KR08KR26E203B](#) [G125FC10668L0-0300L](#) [G125FC10668L0-0150L](#) [G125-FC11068L0-0150L](#) [G125-FC11068L0-0300L](#)
[A06XAF06XAF22K254B](#) [A10XAF10XAF22K152B](#) [A13KR13KR26E254B](#) [A12SUR12SUR32W203A](#) [A16KR16KR26E203B](#)
[A12KR12KR26E305A](#) [A12KR12KR26E305B](#) [A12ZR12ZR28H203B](#) [A12ZR12ZR28H203A](#) [A10SR10SR30K254A](#) [A09SR09SR30K305A](#)
[A14KR14KR26E254A](#) [A14KR14KR26E254B](#) [A10ZR10ZR28H254A](#) [A09ZR09ZR28H305A](#) [A09ZR09ZR28H305B](#) [A13ZR13ZR28H203A](#)
[A15KR15KR26E254A](#) [A13KR13KR26E305B](#) [A11ZR11ZR28H254A](#) [A11ZR11ZR28H254B](#) [A11SR11SR30K254A](#)
[A12SUR12SUR32W254A](#) [A10ZR10ZR28H305A](#) [A14KR14KR26E305B](#) [A10ZR10ZR28H305B](#) [A12ZR12ZR28H254A](#)
[A15KR15KR26E305A](#) [A15KR15KR26E305B](#) [A11SR11SR30K305A](#) [A11ZR11ZR28H305A](#) [A11ZR11ZR28H305B](#) [A13ZR13ZR28H254A](#)
[A12SUR12SUR32W305A](#) [A12ZR12ZR28H305A](#) [A12ZR12ZR28H305B](#) [A20XAF20XAF22K51B](#) [A13ZR13ZR28H305A](#)
[A20XAF20XAF22K102B](#) [A20XAF20XAF22K152B](#) [A20XAF20XAF22K203B](#) [A20XAF20XAF22K254B](#) [A20XAF20XAF22K305B](#)
[A16XSR16XSR36R254B](#)