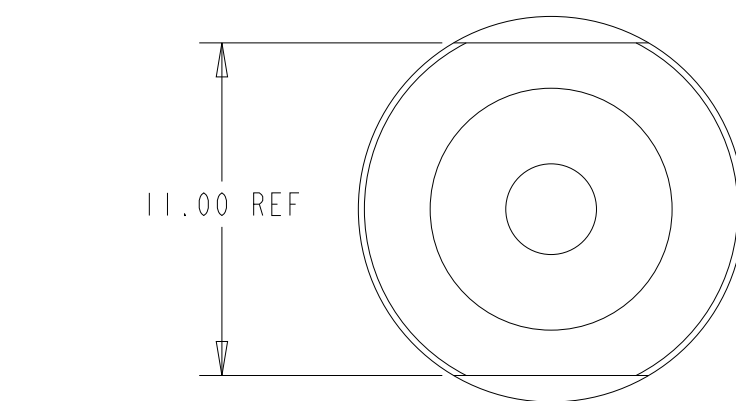
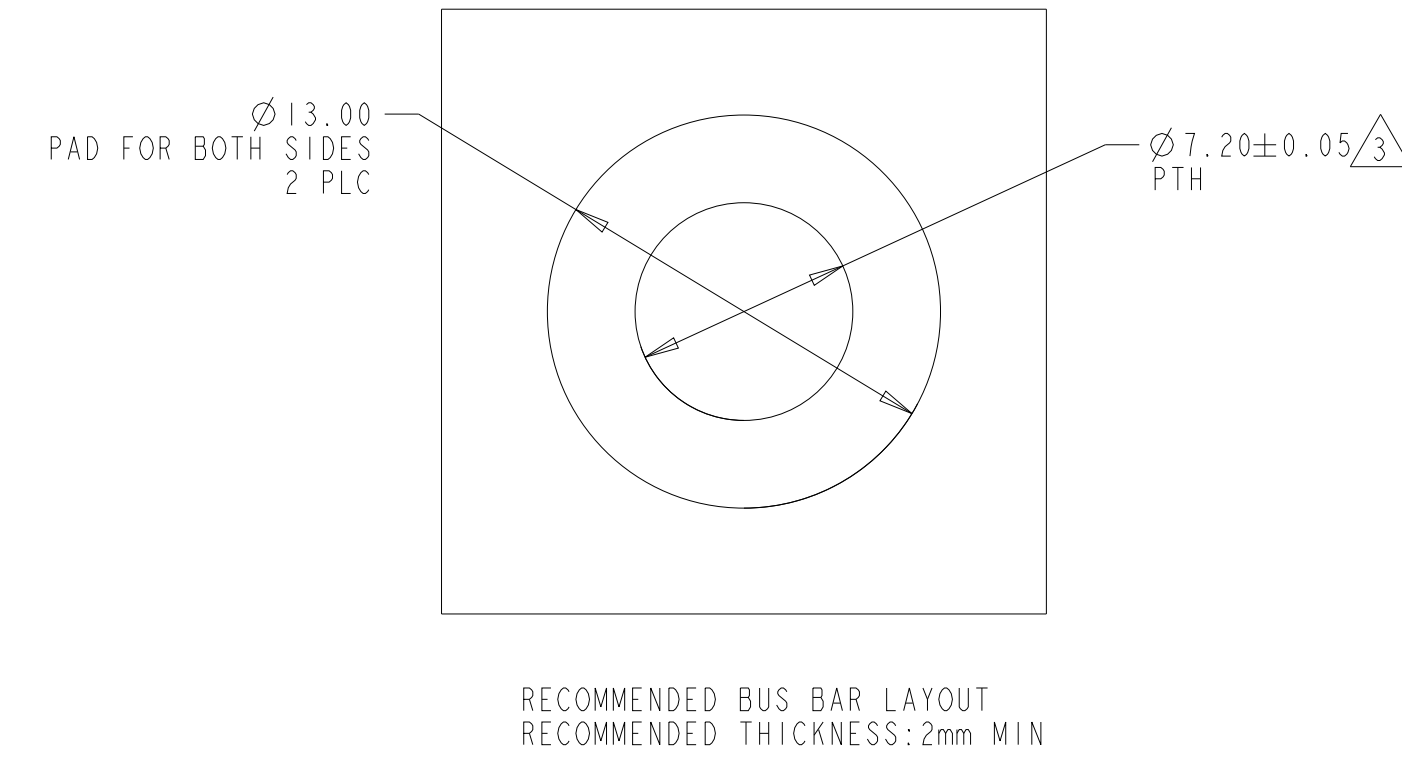
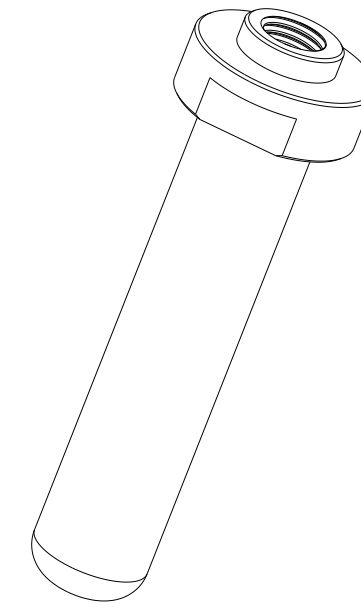
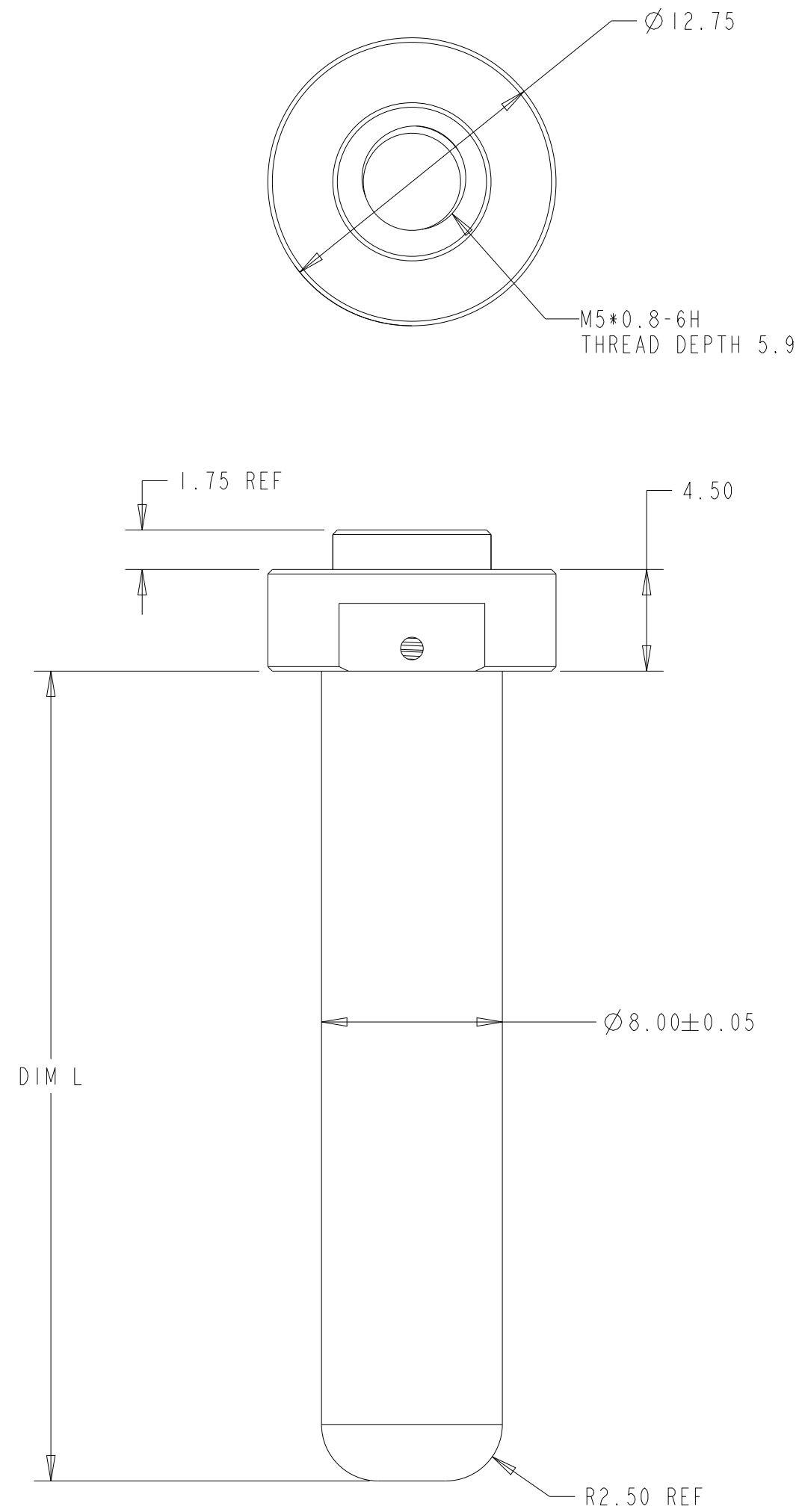


REVISIONS					
P	LTR	DESCRIPTION	DATE	DWN	APVD
A		RELEASE	13OCT2020	AL	SZ
A1		ADD SHEET 2	28DEC2020	AL	SH
A2		UPDATE LENGTH FOR PART 5-1	14JAN2021	AL	SH



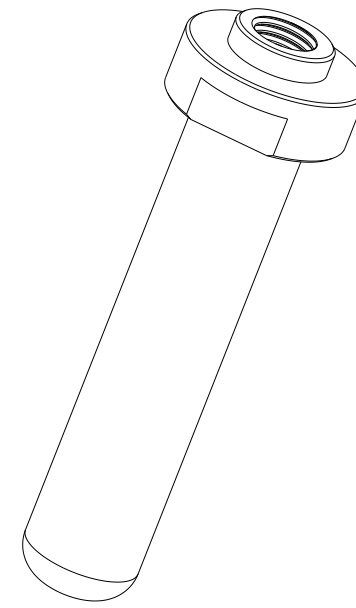
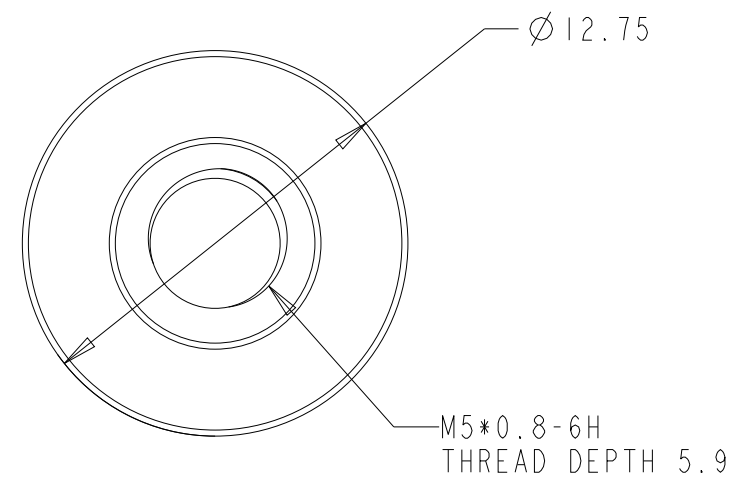
NOTES:

- 1 MATERIAL: COPPER ALLOY
- 2 FINISH: SILVER PLAING.
- 3 RECOMMENDED DRILL HOLE SIZE:  $\varnothing 7.30\text{mm}$

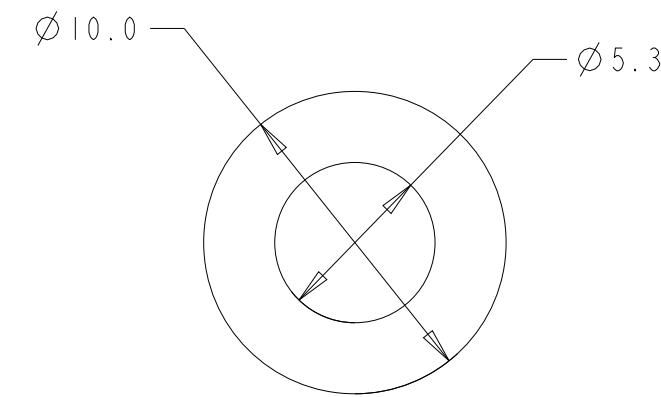
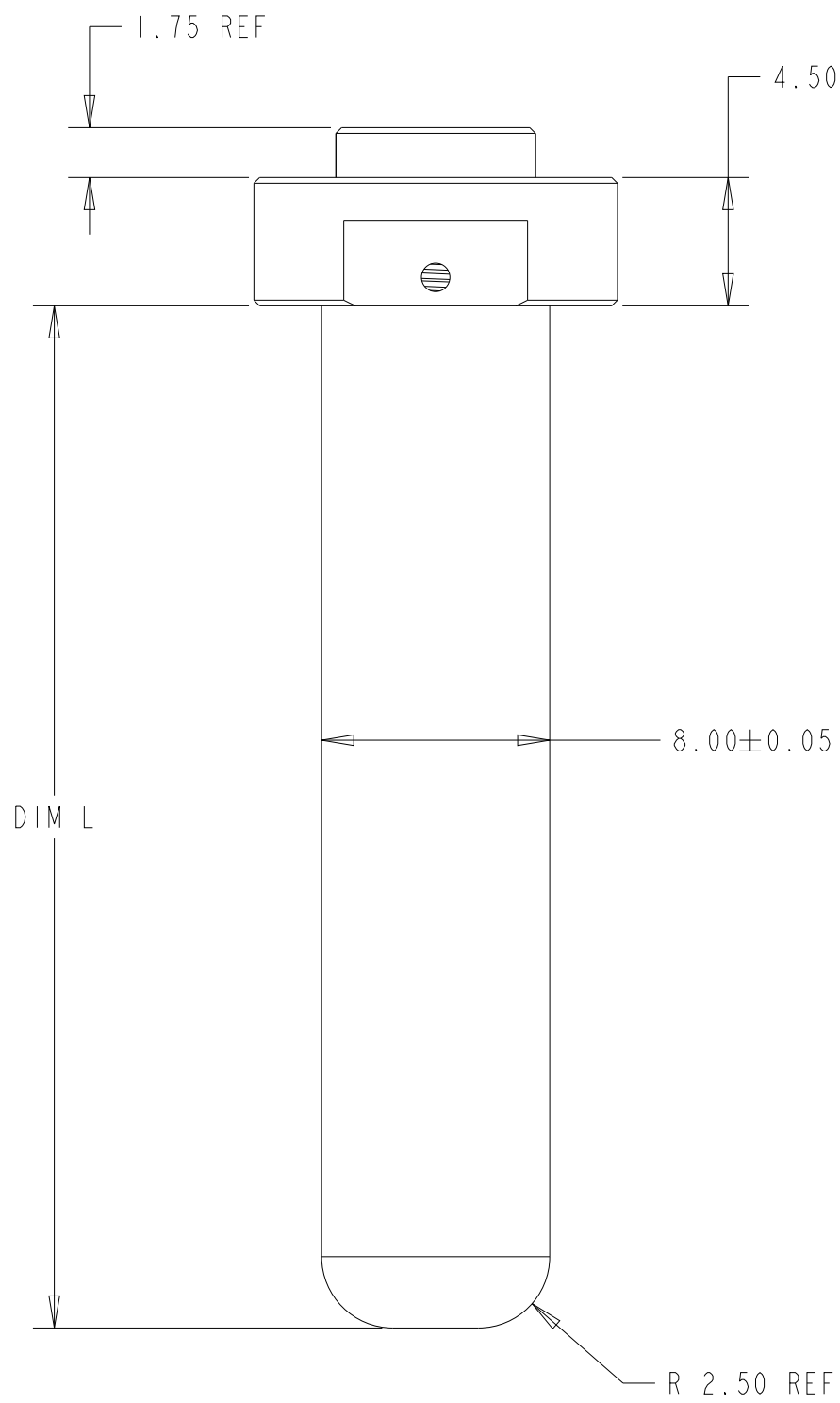
58.73	1-2361493-0
81.00	2361493-9
31.15	2361493-8
73.85	2361493-7
27.25	2361493-6
56.55	2361493-5
35.00	2361493-4
26.00	2361493-3
26.15	2361493-2
35.85	2361493-1
DIM L	PART NUMBER

THIS DRAWING IS A CONTROLLED DOCUMENT.		DWN ANDY LI	16AUG2019	TE Connectivity	
DIMENSIONS: mm		CHK -	-		
TOLERANCES UNLESS OTHERWISE SPECIFIED:		APVD SUNY_ZHAO	16AUG2019	NAME PIN SIZE 8.0mm, PIN FLOATING ICCON INSERT	
0 PLC ± 1 PLC ±0.30 2 PLC ±0.20 3 PLC ±0.10 4 PLC ±0.0001 ANGLES ±		PRODUCT SPEC 108-128111	APPLICATION SPEC 114-128112	SIZE A2	CAGE CODE 00779
MATERIAL 1	FINISH 2	WEIGHT -	DRAWING NO C-2361493	RESTRICTED TO -	
CUSTOMER DRAWING			SCALE 4:1	SHEET 1 OF 2	REV A3

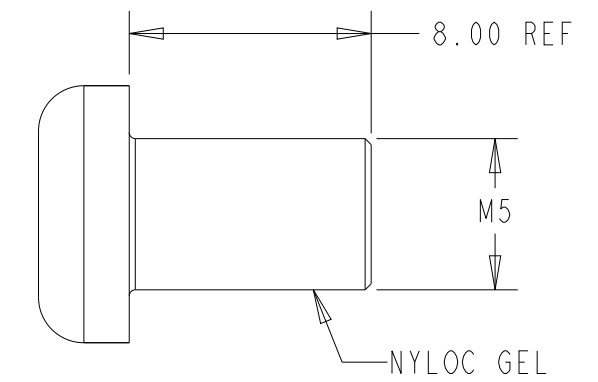
P	LTR	DESCRIPTION	DATE	DWN	APVD
		SEE SHEET 1			



RECOMMENDED BUS BAR LAYOUT  
RECOMMENDED THICKNESS: 2mm~3.8mm



WASHER, THICKNESS: 1.2mm  
MATERIAL: STEEL, Zn PLATING OR EQUIVALENT



M5 SCREW WITH NYLOC  
MATERIAL: STEEL, Zn PLATING OR EQUIVALENT

NOTES:

- 1 MATERIAL: COPPER ALLOY
- 2 FINISH: SILVER PLATING.
- 3 RECOMMENDED DRILL HOLE SIZE: Ø7.30mm



PACKED WITH SCREW AND WASHER	43.40	5-2361493-1
REMARK	DIM L	PART NUMBER

THIS DRAWING IS A CONTROLLED DOCUMENT.		DWN ANDY LI	16AUG2019	TE Connectivity	
DIMENSIONS: mm		CHK -	-		
TOLERANCES UNLESS OTHERWISE SPECIFIED:		APVD SUNY_ZHAO	16AUG2019	NAME PIN SIZE 8.0mm, PIN FLOATING ICCON INSERT	
0 PLC ±-		PRODUCT SPEC 108-128111		APPLICATION SPEC	
1 PLC ±0.30		114-128112		RESTRICTED TO	
2 PLC ±0.20		WEIGHT		SIZE A2	
3 PLC ±0.10		CUSTOMER DRAWING		CAGE CODE 00779	
4 PLC ±0.0001		SCALE 4:1		DRAWING NO C-2361493	
ANGLES ±-		SHEET 2 OF 2		REV A3	
FINISH					

## X-ON Electronics

Largest Supplier of Electrical and Electronic Components

*Click to view similar products for [Heavy Duty Power Connectors](#) category:*

*Click to view products by [TE Connectivity](#) manufacturer:*

Other Similar products are found below :

[647757-1](#) [6643411-1](#) [6646058-2](#) [6646137-1](#) [6646138-1](#) [6646479-1](#) [6646608-1](#) [6646786-1](#) [6646940-1](#) [6651091-1](#) [6651525-1](#) [6651529-1](#)  
[6651788-1](#) [696475-1](#) [702-32-01109](#) [703-25-02205](#) [73000005059](#) [73000005642](#) [73080255059](#) [73080965046](#) [765-15-0080A](#) [765-16-0080B](#)  
[765-18-0080D](#) [829992-1](#) [902-77-02113](#) [PS00/A0620/6300](#) [PS25/A0420/63](#) [129-1J](#) [1409400](#) [AN0024023](#) [E6374G1](#) [e6389g2](#) [157-43GW8](#)  
[MS3117-14AC](#) [1643543-1](#) [1650540-1](#) [1651811-2](#) [1766260-1](#) [1766282-1](#) [1766966-1](#) [1791340000](#) [NLDFT-3-BL-L-S120-M40A](#) [NLDFT-N-](#)  
[W-L-C240-M40B](#) [NLS-2-R-C240-M40B](#) [NLS-N-W-C240-M40B](#) [NPS-3-BL-T6](#) [1986615-1](#) [2-1589900-8](#) [2199314-1](#) [KA8102](#)