
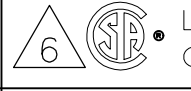
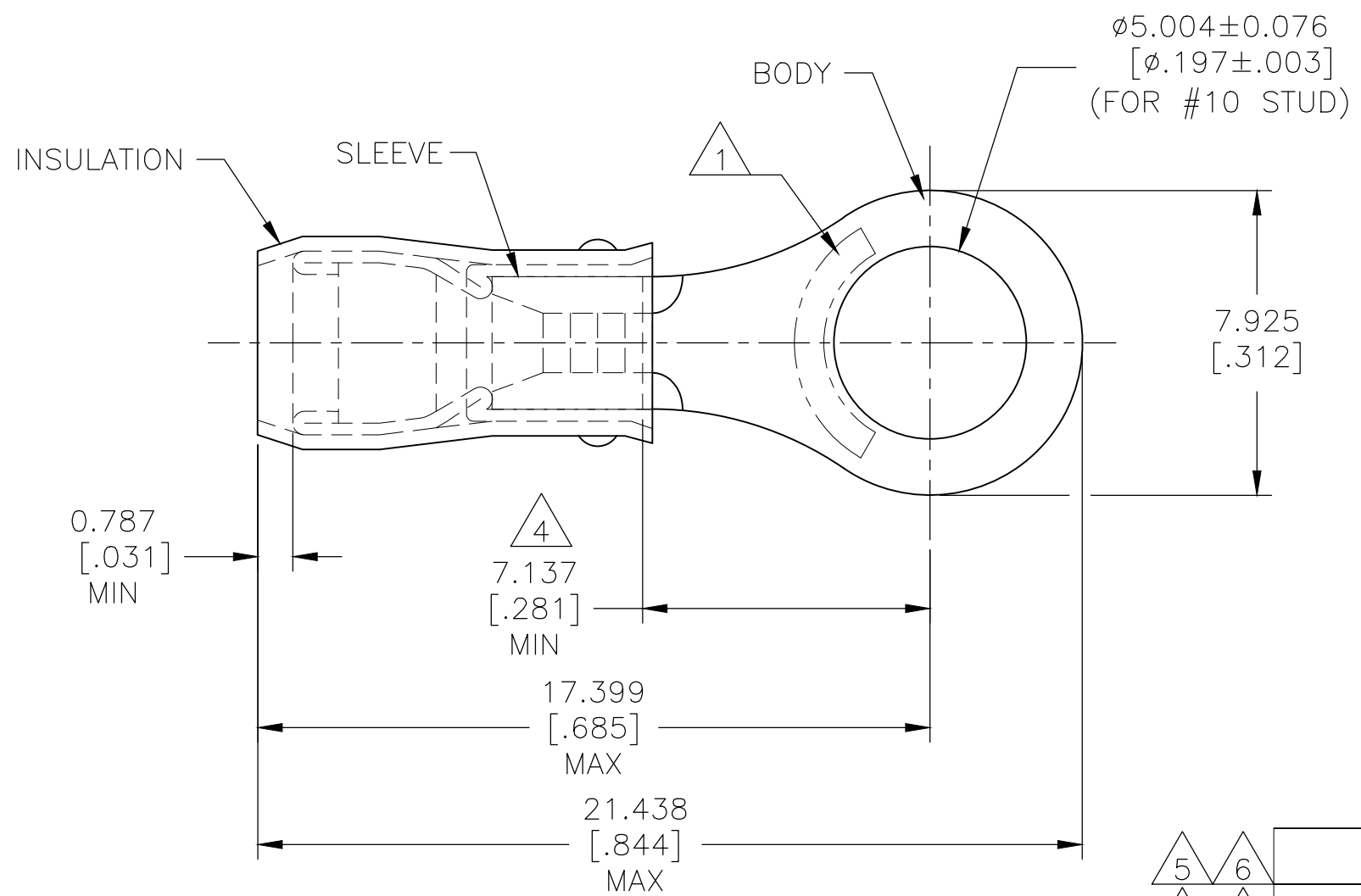


THIS DRAWING IS UNPUBLISHED. RELEASED FOR PUBLICATION
 © COPYRIGHT - By - ALL RIGHTS RESERVED.

| REVISIONS | | | | | |
|-----------|-----|---------------------------|-----------|-----|------|
| P | LTR | DESCRIPTION | DATE | DWN | APVD |
| AA1 | | REVISE PER ECO-17-007400 | 18DEC2017 | RS | DR |
| AA2 | | REVISED PER ECO-19-007720 | 21MAY2020 | KR | DR |



| | | |
|--------------------------------|--|---|
| AMP WIRE RANGE |  E13288 Listed |  LR7189 Certified |
| 22-16 AWG SOLID OR STRANDED | 22-16 AWG STRANDED | 22-16 AWG SOLID OR STRANDED |



- 1 STAMP AMP 22-18* APPROX AS SHOWN
22-16 TERMINALS ARE STAMPED 22-18 IN
ACCORDANCE WITH MILITARY SPEC SAE AS7928
COMMERCIAL WIRE RANGE IS 22-16.
- 2 WIRE INSULATION : $\phi 2.032-3.175[\phi .080-.125]$.
- 3 BODY MATERIAL THK: $0.787\pm 0.051[.031\pm .002]$.
- 4 APPLIES FROM EDGE OF METAL WIRE BARREL
TO CENTER OF STUD HOLE.
- 5 UL LISTED
- 6 CSA CERTIFIED

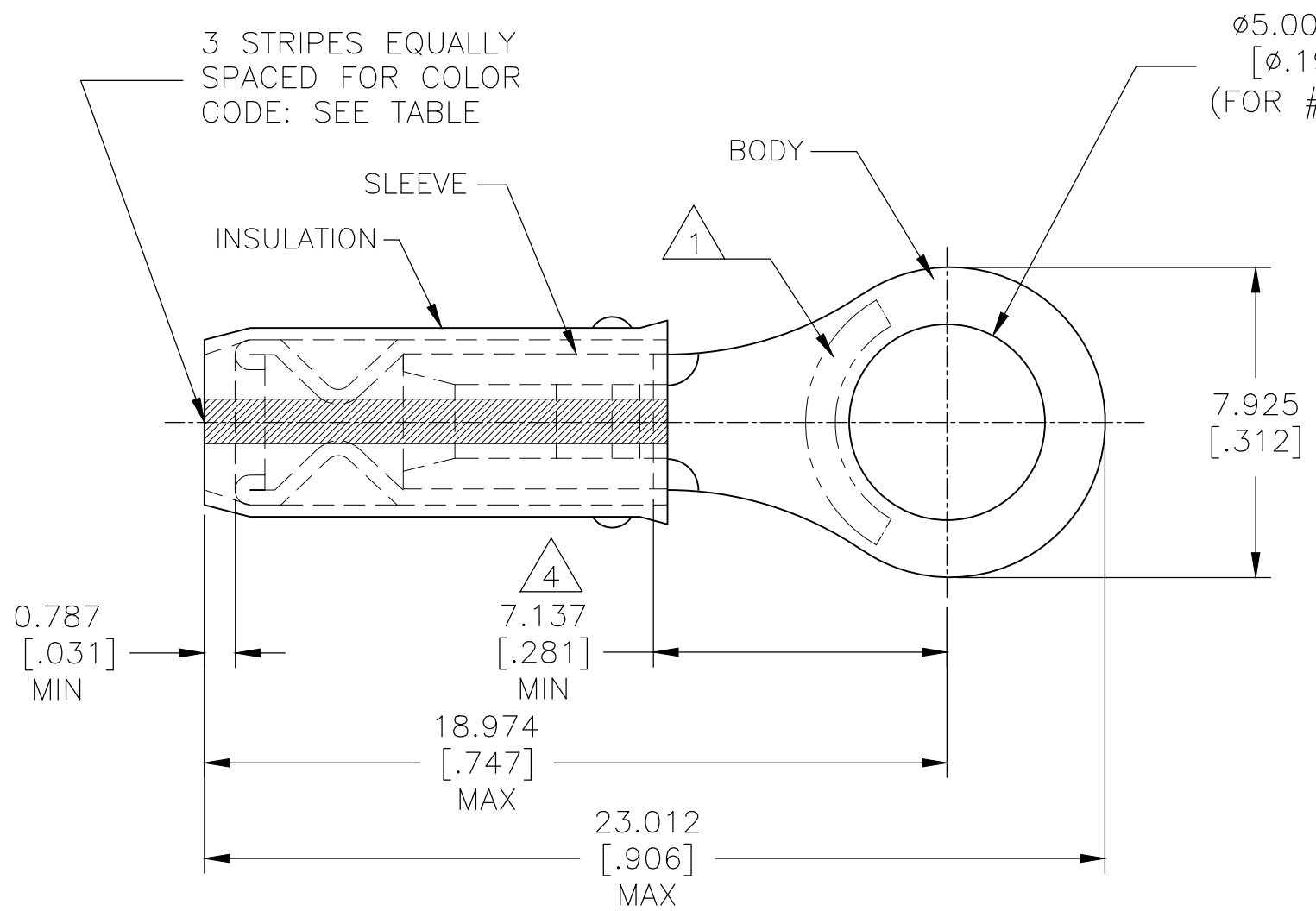
| MILITARY P/N AND CLASS | QUANTITY | PACKAGE TYPE | PART NO |
|-------------------------|----------|------------------|-----------|
| - | 100 | LOOSE PIECE, BOX | 6-36153-1 |
| MS25036-103 CLASS 2 | 5000 | ON TAPE, REEL | 2-36153-2 |
| MS25036-103 CLASS 1 & 2 | 1000 | LOOSE PIECE | 36153 |

| | | |
|---|--|--|
| AMP INCORPORATED CUSTOMER SERVICE SYSTEMS | | MAX RECOMMENDED OPERATING TEMPERATURE: 105°C[221°F] MAX |
| FOR ADDITIONAL PRODUCT INFORMATION OR COPIES OF DRAWINGS AND TECHNICAL DOCUMENTS | PRODUCT INFORMATION CENTER 1-800-522-6752 | VOLTAGE RATING: 300 V MAX |
| FOR APPLICATION TOOLING INFORMATION | TOOLING ASSISTANCE CENTER 1-800-722-1111 | CIRCULAR MIL AREA: 0.26-1.65mm ² [509-3,260] CIR MILS SOLID OR STRANDED |
| FOR ORDER ENTRY | 1-800-526-5142 | THIS DRAWING IS A CONTROLLED DOCUMENT FOR AMP INCORPORATED. IT IS SUBJECT TO CHANGE AND THE CONTROLLING ENGINEERING ORGANIZATION SHOULD BE CONTACTED FOR THE LATEST REVISION. |

| | | | | |
|---|--|--|---|--------------------|
| THIS DRAWING IS A CONTROLLED DOCUMENT. | | DWN DK SCHRUM 9/8/93 |  TE Connectivity | |
| DIMENSIONS: mm [INCHES] | | CHK RE HERSEY 9/8/93 | | |
| TOLERANCES UNLESS OTHERWISE SPECIFIED: | | APVD ML ELLIS 9/8/93 | NAME TERMINAL, RING TONGUE, PIDG™ WIRE SIZE, 22-16 AWG | |
| 0 PLC ± - 1 PLC ± - 2 PLC ± - 3 PLC ± 0.127[.005] 4 PLC ± - ANGLES ± - | | PRODUCT SPEC UL 486 A-B  | APPLICATION SPEC 114-2157 | RESTRICTED TO |
| MATERIAL BODY & SLEEVE: COPPER PER ASTM B-152 INSULATION: NYLON | FINISH BODY & SLEEVE: TIN PLATE PER ASTM B545 INSULATION: COLOR-RED | WEIGHT - | SIZE A3 | CAGE CODE 00779 |
| CUSTOMER DRAWING | | | DRAWING NO C-36153 | SCALE NTS |
| | | | SHEET 1 OF 2 | REV AA2 |

THIS DRAWING IS UNPUBLISHED. RELEASED FOR PUBLICATION
 © COPYRIGHT - By - ALL RIGHTS RESERVED.

| REVISIONS | | | | |
|-----------|-----|-------------|------|------|
| P | LTR | DESCRIPTION | DATE | APVD |
| - | - | SEE SHEET 1 | - | - |



| | |
|--------------------|------------------------------|
| AMP WIRE RANGE | LR 7189 Certified |
| SEE TABLE STRANDED | WIRE SIZE PER TABLE STRANDED |

- 1 STAMP AMP [] APPROX AS SHOWN SEE TABLE BELOW.
- 2 WIRE INSULATION : Ø0.965-2.794[Ø.038-.110] FOR 22 AWG.
 Ø1.168-2.794[Ø.046-.110] FOR 20 AWG.
 Ø1.422-2.794[Ø.056-.110] FOR 18 AWG.
- 3 BODY MATERIAL THK: 0.787±0.051[.031±.002].
- 4 APPLIES FROM EDGE OF METAL WIRE BARREL TO CENTER OF STUD HOLE.
- 5 CSA CERTIFIED

| | | | | | | | |
|---|-------------------------|--------------|------------|-----------|----------|------------------|-----------|
| 5 | - | RED | 20* | 20 | 100 | LOOSE PIECE, BOX | 8-36153-1 |
| 5 | MS7928/1-33 CLASS 2 | WHITE | 18* | 18 | 5000 | ON TAPE, REEL | 2-36153-9 |
| 5 | M7928/1-24 CLASS 2 | RED | 20* | 20 | 5000 | ON TAPE, REEL | 2-36153-8 |
| 5 | M7928/1-15 CLASS 2 | GREEN | 22* | 22 | 5000 | ON TAPE, REEL | 2-36153-6 |
| 5 | MS7928/1-33 CLASS 1 & 2 | WHITE | 18* | 18 | 1000 | LOOSE PIECE | 2-36153-5 |
| 5 | M7928/1-24 CLASS 1 & 2 | RED | 20* | 20 | 1000 | LOOSE PIECE | 2-36153-4 |
| 5 | M7928/1-15 CLASS 1 & 2 | GREEN | 22* | 22 | 1000 | LOOSE PIECE | 2-36153-3 |
| | MILITARY P/N AND CLASS | STRIPE COLOR | 1 STAMPING | WIRE SIZE | QUANTITY | PACKAGE TYPE | PART NO |

AMP INCORPORATED
CUSTOMER SERVICE SYSTEMS

FOR ADDITIONAL PRODUCT INFORMATION OR COPIES OF DRAWINGS AND TECHNICAL DOCUMENTS
 FOR APPLICATION TOOLING INFORMATION
 FOR ORDER ENTRY

PRODUCT INFORMATION CENTER
 1-800-522-6752

TOOLING ASSISTANCE CENTER
 1-800-722-1111

1-800-526-5142

MAX RECOMMENDED OPERATING TEMPERATURE:
 105°C [221°F] MAX

VOLTAGE RATING: 300 V MAX

WIRE RANGE: CIRC MIL AREA:
 22 0.38mm² [754]
 20 0.60mm² [1,186]
 18 0.96mm² [1,900]

STRANDED

THIS DRAWING IS A CONTROLLED DOCUMENT FOR AMP INCORPORATED. IT IS SUBJECT TO CHANGE AND THE CONTROLLING ENGINEERING ORGANIZATION SHOULD BE CONTACTED FOR THE LATEST REVISION.

THIS DRAWING IS A CONTROLLED DOCUMENT.

DIMENSIONS: mm [INCHES]

TOLERANCES UNLESS OTHERWISE SPECIFIED:
 0 PLC ± -
 1 PLC ± -
 2 PLC ± -
 3 PLC ± 0.127[.005]
 4 PLC ± -
 ANGLES ± -

MATERIAL: BODY & SLEEVE: COPPER PER ASTM B-152
 INSULATION: NYLON

FINISH: BODY & SLEEVE: TIN PLATE PER ASTM B545
 INSULATION: COLOR-RED

DWN DK SCHRUM 9/8/93
 CHK RE HERSEY 9/8/93
 APVD ML ELLIS 9/8/93

PRODUCT SPEC
 -

APPLICATION SPEC
 114-2157

WEIGHT -

STE TE Connectivity

NAME: TERMINAL, RING TONGUE, I.R., PIDG™ WIRE SIZE, 22, 20 & 18 AWG

SIZE: A3 CAGE CODE: 00779 DRAWING NO: C-36153 RESTRICTED TO: -

CUSTOMER DRAWING SCALE: NTS SHEET: 2 OF 2 REV: AA2

X-ON Electronics

Largest Supplier of Electrical and Electronic Components

Click to view similar products for [Terminals](#) category:

Click to view products by [TE Connectivity](#) manufacturer:

Other Similar products are found below :

[00-054007-01074-6](#) [00-054007-70206-1](#) [00-054007-70210-8](#) [00-054007-70217-7](#) [00-054007-70226-9](#) [00-054007-70228-3](#) [00-054007-70248-1](#) [00-054007-70256-6](#) [00-054007-70301-3](#) [00-054007-70316-7](#) [0-0320562-0](#) [00-054007-49560-4](#) [00-054007-70209-2](#) [00-054007-70225-2](#) [00-054007-70227-6](#) [00-054007-70231-3](#) [00-054007-70241-2](#) [00-054007-70242-9](#) [00-054007-70244-3](#) [00-054007-70246-7](#) [00-054007-70263-4](#) [00-054007-70288-7](#) [00-054007-70290-0](#) [00-054007-70300-6](#) [00-054007-70304-4](#) [01-2065-1-0216](#) [01-2900-1-04412](#) [00581P0075](#) [600TS-10](#) [60205-1](#) [604200-1](#) [605601-1](#) [60598-1-CUT-TAPE](#) [61314-6-C](#) [61810-3](#) [61-S](#) [61-SN](#) [626-0194](#) [62-NBM-A](#) [62-SN](#) [62-SP](#) [63-S](#) [640179-1](#) [M55155/059I03](#) [M55155/079C01](#) [M55155/099H02](#) [M55155/109H01](#) [M55155/109H02](#) [M55155/12XH05](#) [M55155/16XH02](#)