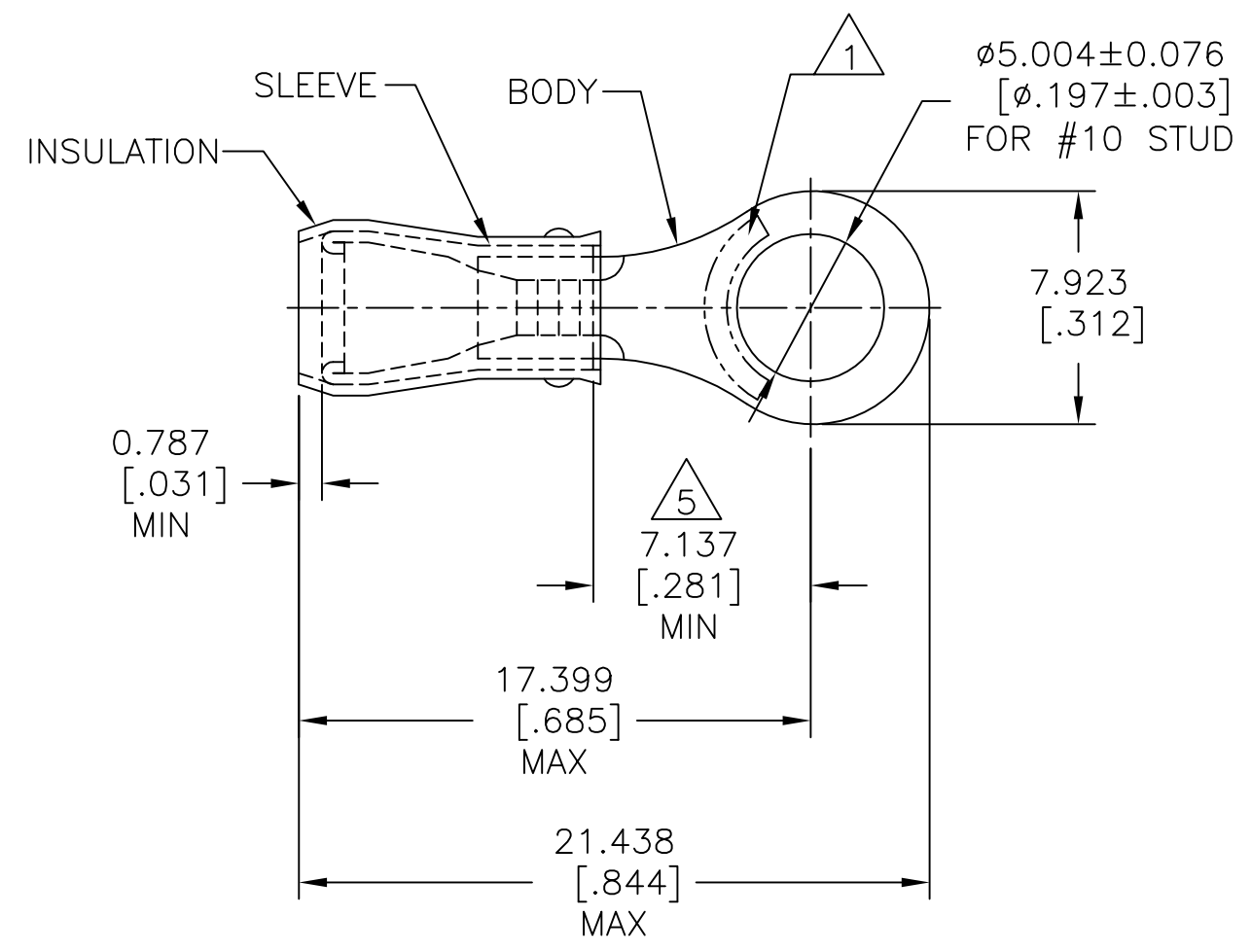


REVISIONS					
P	LTR	DESCRIPTION	DATE	DWN	APVD
	R1	REVISED PER ECO-11-004587	11MAR11	RK	HMR
	R2	REVISED PER ECO-18-000056	04JAN2018	RS	DR

AMP WIRE RANGE	Listed	LR7189 Certified
22-16 AWG SOLID OR STRANDED	22-16 AWG SOLID OR STRANDED	22-16 AWG SOLID OR STRANDED

- 1 STAMP AMP 22-18* APPROX AS SHOWN
22-16 TERMINALS ARE STAMPED 22-18 IN
ACCORDANCE WITH MILITARY SPEC SAE AS7928
COMMERCIAL WIRE RANGE IS 22-16
- 2 WIRE INSUL, $\phi 2.667-3.556$ [$\phi .105-.140$]
- 3 BODY MATERIAL THK, 0.787 ± 0.051 [$.031 \pm .002$]
- 4 NOTE DELETED.
- 5 APPLIES FROM CENTER OF STUD HOLE
TO EDGE OF METAL WIRE BARREL.



MILITARY P/N AND CLASS	QUANTITY	PACKAGE TYPE	PART NO
-	50	LOOSE PIECE, BAG	8-36154-5
-	100	LOOSE PIECE, BOX	8-36154-1
MS 25036-103 CLASS 2	5000	ON TAPE, REEL	2-36154-2
MS 25036-103 CLASS 1 & 2	1000	LOOSE PIECE	36154

AMP INCORPORATED CUSTOMER SERVICE SYSTEMS		MAX RECOMMENDED OPERATING TEMPERATURE: 105°C [221°F]	THIS DRAWING IS A CONTROLLED DOCUMENT.		DWN DK SCHRUM 02/16/93	TE Connectivity						
FOR ADDITIONAL PRODUCT INFORMATION OR COPIES OF DRAWINGS AND TECHNICAL DOCUMENTS	PRODUCT INFORMATION CENTER 1-800-522-6752	VOLTAGE RATING: 300 V MAX	DIMENSIONS: mm [INCHES]	TOLERANCES UNLESS OTHERWISE SPECIFIED:	CHK RE HERSEY 4/28/93					NAME TERMINAL, RING TONGUE, PIDG™, WIRE SIZE : 22-16 AWG		
FOR APPLICATION TOOLING INFORMATION	TOOLING ASSISTANCE CENTER 1-800-722-1111	WIRE CROSS SECTIONAL AREA RANGE: 0.26-1.65mm² [509-3,260] CIR MILS SOLID OR STRANDED		0 PLC ± - 1 PLC ± - 2 PLC ± - 3 PLC ± 0.127[.005] 4 PLC ± - ANGLES ± -	APVD ML ELLIS 4/28/93	PRODUCT SPEC	APPLICATION SPEC	114-2157	SIZE			
FOR ORDER ENTRY	1-800-526-5142		MATERIAL BODY & SLEEVE: COPPER ASTM B-152 INSULATION: NYLON PER D4066	FINISH BODY & SLEEVE: TIN PLATE PER ASTM B 545 INSULATION: RED	WEIGHT -	A300779		C-36154		SCALE 4:1	SHEET 1 OF 1	REV R2

X-ON Electronics

Largest Supplier of Electrical and Electronic Components

Click to view similar products for [Terminals](#) category:

Click to view products by [TE Connectivity](#) manufacturer:

Other Similar products are found below :

[00-054007-01074-6](#) [00-054007-70206-1](#) [00-054007-70210-8](#) [00-054007-70217-7](#) [00-054007-70226-9](#) [00-054007-70228-3](#) [00-054007-70248-1](#) [00-054007-70256-6](#) [00-054007-70301-3](#) [00-054007-70316-7](#) [0-0320562-0](#) [00-054007-49560-4](#) [00-054007-70209-2](#) [00-054007-70225-2](#) [00-054007-70227-6](#) [00-054007-70231-3](#) [00-054007-70241-2](#) [00-054007-70242-9](#) [00-054007-70244-3](#) [00-054007-70246-7](#) [00-054007-70263-4](#) [00-054007-70288-7](#) [00-054007-70290-0](#) [00-054007-70300-6](#) [00-054007-70304-4](#) [01-2065-1-0216](#) [01-2900-1-04412](#) [00581P0075](#) [600TS-10](#) [60205-1](#) [604200-1](#) [605601-1](#) [60598-1-CUT-TAPE](#) [61314-6-C](#) [61810-3](#) [61-S](#) [61-SN](#) [626-0194](#) [62-NBM-A](#) [62-SN](#) [62-SP](#) [63-S](#) [640179-1](#) [M55155/059I03](#) [M55155/079C01](#) [M55155/099H02](#) [M55155/109H01](#) [M55155/109H02](#) [M55155/12XH05](#) [M55155/16XH02](#)