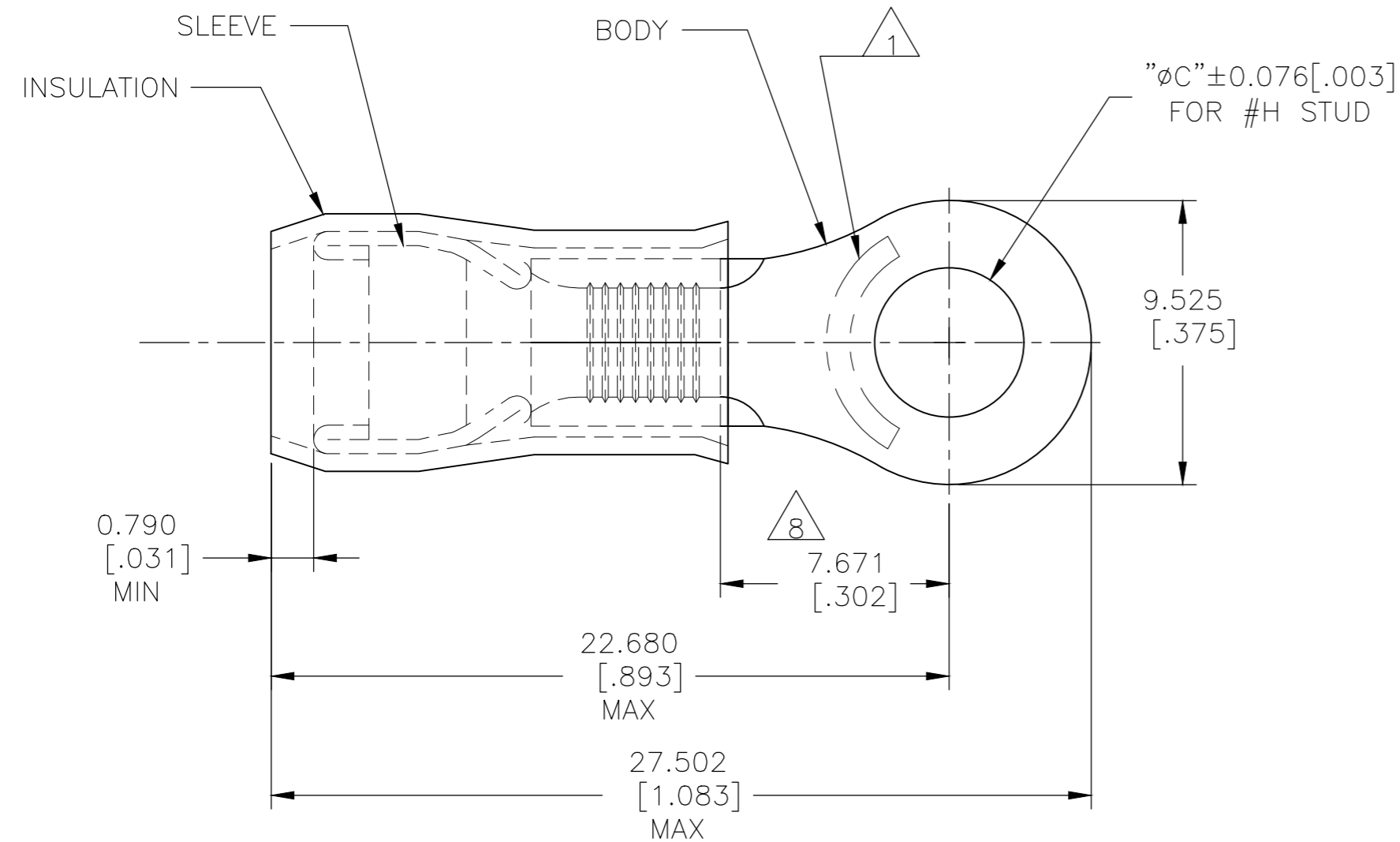
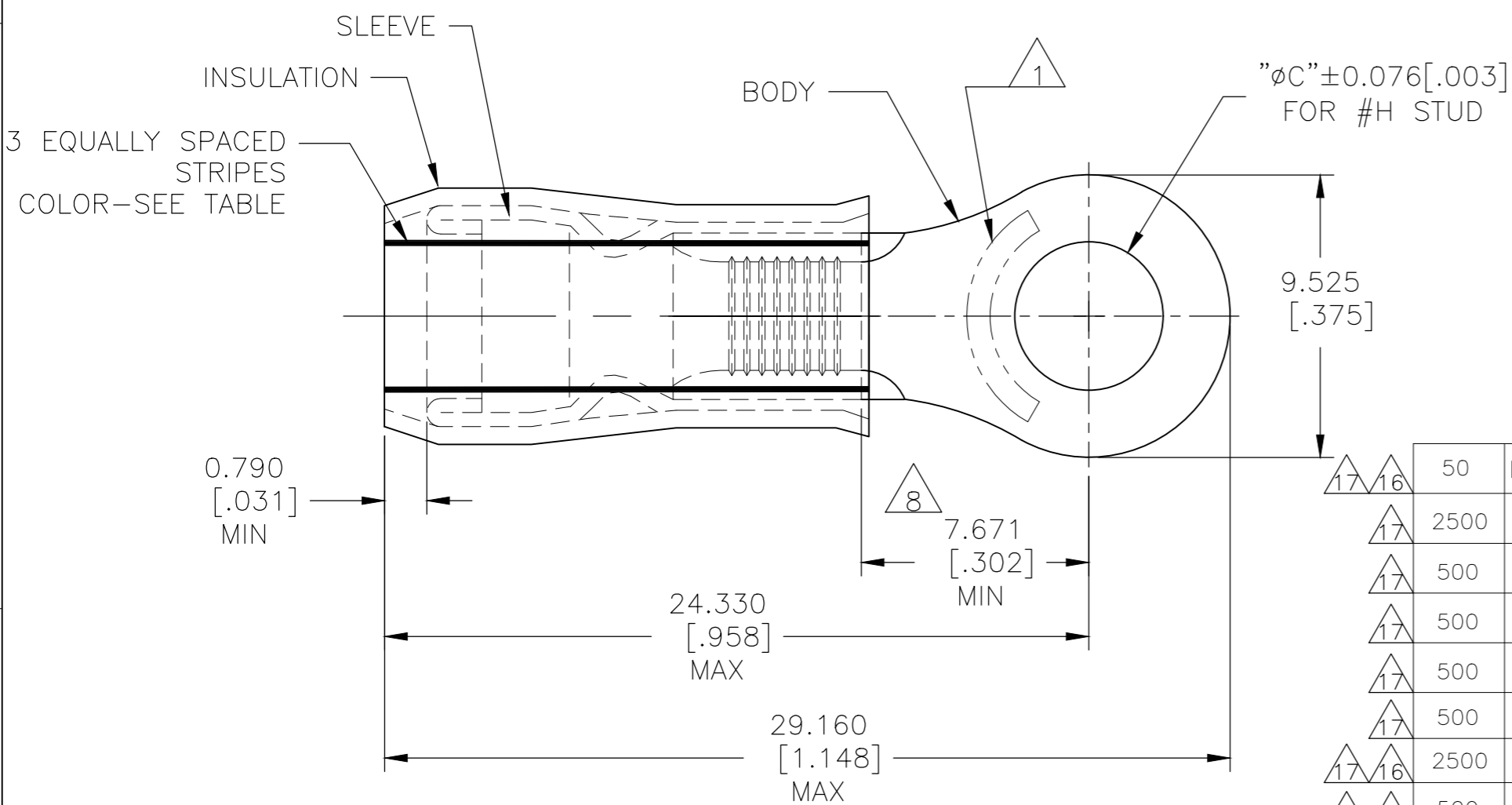


THIS DRAWING IS UNPUBLISHED. RELEASED FOR PUBLICATION
 © COPYRIGHT - By - ALL RIGHTS RESERVED.

REVISIONS				
P	LTR	DESCRIPTION	DATE	APVD
AA3		REVISED PER ECO-19-007720	21MAY2020	KR DR



STYLE A



STYLE B INSULATION RESTRICTING

AMP WIRE RANGE	$\triangle 16$ $\odot L$ E13288 Listed
12-10 AWG SOLID OR STRANDED IR: STRANDED	12-10 AWG STRANDED
$\triangle 17$ $\odot LR7189$ Certified	
12-10 AWG SOLID OR STRANDED IR: STRANDED	

- $\triangle 1$ STAMP "AMP - SEE TABLE" APPROX AS SHOWN.
- $\triangle 2$ WIRE INSULATION DIA: SEE TABLE.
- $\triangle 3$ BODY MATERIAL THK: 0.991±0.051[.039±.002].
- $\triangle 4$ BODY: TIN PLATE 0.00254[.000100] MIN EXT THK PER ASTM B545.
- $\triangle 5$ SLEEVE: TIN PLATE 0.00254[.000100] MIN EXT THK PER ASTM B545.
- $\triangle 6$ SLEEVE: NICKEL PLATE PER SAE AMS QQ-N-290.
- $\triangle 7$ BODY & SLEEVE- CU PER ASTM B152
INSULATION - NYLON PER ASTM D4066.
- $\triangle 8$ APPLIES FROM EDGE OF METAL WIRE BARREL TO CENTER OF STUD HOLE.
- $\triangle 9$ MEETS MS25036-112, CLASS 1 & 2.
- $\triangle 10$ MEETS MS25036-112, CLASS 2.
- $\triangle 11$ MEETS M7928/1-58, CLASS 1 & 2.
- $\triangle 12$ MEETS M7928/1-65, CLASS 1 & 2.
- $\triangle 13$ MEETS M7928/1-56, CLASS 1 & 2.
- $\triangle 14$ MEETS M7928/1-63, CLASS 1 & 2.
- $\triangle 15$ NOTE DELETED.
- $\triangle 16$ UL LISTED.
- $\triangle 17$ CSA CERTIFIED.

QTY	PACKAGE TYPE	"H"	"C"	\triangle STAMPING	WIRE INSUL DIA	WIRE SIZE	STRIPE COLOR	STYLE	BODY FINISH	SLEEVE FINISH	PART NO
50	LOOSE PIECE, BOX	#10	5.004[.197]	$\triangle 17$ $\triangle 16$	12-10*	3.810[.150]-5.842[.230]	12-10	--	A	$\triangle 5$	8-36161-2
2500	ON TAPE & REEL	#10	5.004[.197]	$\triangle 17$	12*	3.023[.119]-5.080[.200]	12	BROWN	B	$\triangle 6$ $\triangle 12$	2-36161-8
500	LOOSE PIECE	[#6]M3.5	3.683[.145]	$\triangle 17$	10*	3.023[.119]-5.080[.200]	10	BROWN	B	$\triangle 6$ $\triangle 14$	2-36161-6
500	LOOSE PIECE	[#6]M3.5	3.683[.145]	$\triangle 17$	12*	2.413[.095]-5.080[.200]	12	YELLOW	B	$\triangle 6$ $\triangle 13$	2-36161-5
500	LOOSE PIECE	#10	5.004[.197]	$\triangle 17$	10*	3.023[.119]-5.080[.200]	10	BROWN	B	$\triangle 6$ $\triangle 12$	2-36161-4
500	LOOSE PIECE	#10	5.004[.197]	$\triangle 17$	12*	2.413[.095]-5.080[.200]	12	YELLOW	B	$\triangle 6$ $\triangle 11$	2-36161-3
2500	ON TAPE & REEL	#10	5.004[.197]	$\triangle 17$ $\triangle 16$	12-10*	3.810[.150]-5.842[.230]	12-10	--	A	$\triangle 5$ $\triangle 10$	2-36161-2
500	LOOSE PIECE	#10	5.004[.197]	$\triangle 17$ $\triangle 16$	12-10*	3.810[.150]-5.842[.230]	12-10	--	A	$\triangle 5$ $\triangle 9$	36161

AMP INCORPORATED CUSTOMER SERVICE SYSTEMS			THIS DRAWING IS A CONTROLLED DOCUMENT.		DWN JR RUTH 17DEC09	STE TE Connectivity
FOR ADDITIONAL PRODUCT INFORMATION OR COPIES OF DRAWINGS AND TECHNICAL DOCUMENTS	PRODUCT INFORMATION CENTER 1-800-522-6752	MAX RECOMMENDED OPERATING TEMPERATURE: 105°C[221°F] MAX	DIMENSIONS: mm [INCHES]	TOLERANCES UNLESS OTHERWISE SPECIFIED: 0 PLC ± - 1 PLC ± - 2 PLC ± - 3 PLC ± 0.127[.005] 4 PLC ± - ANGLES ± -	CHK T MICHIELUTTI 17DEC09	
FOR APPLICATION TOOLING INFORMATION	TOOLING ASSISTANCE CENTER 1-800-722-1111	VOLTAGE RATING: 300 VOLT MAX		FINISH SEE TABLE	APVD T MICHIELUTTI 17DEC09	PRODUCT SPEC UL 486 A-B $\triangle 16$
FOR ORDER ENTRY	1-800-526-5142	CIRCULAR MIL AREA: 2.62-6.64mm[5,180-13,100] STRANDED OR SOLID	MATERIAL $\triangle 7$	INSULATION: COLOR YELLOW	APPLICATION SPEC 114-2157	SIZE A2
					WEIGHT -	CAGE CODE 00779
					DRAWING NO C=36161	
					RESTRICTED TO -	
					SCALE 5:1	
					SHEET 1 OF 1	
					REV AA3	

X-ON Electronics

Largest Supplier of Electrical and Electronic Components

Click to view similar products for [Terminals](#) category:

Click to view products by [TE Connectivity](#) manufacturer:

Other Similar products are found below :

[00-054007-01074-6](#) [00-054007-70206-1](#) [00-054007-70210-8](#) [00-054007-70217-7](#) [00-054007-70226-9](#) [00-054007-70228-3](#) [00-054007-70248-1](#) [00-054007-70256-6](#) [00-054007-70301-3](#) [00-054007-70316-7](#) [00-054007-49560-4](#) [00-054007-70209-2](#) [00-054007-70225-2](#) [00-054007-70227-6](#) [00-054007-70231-3](#) [00-054007-70241-2](#) [00-054007-70242-9](#) [00-054007-70244-3](#) [00-054007-70246-7](#) [00-054007-70263-4](#) [00-054007-70288-7](#) [00-054007-70290-0](#) [00-054007-70300-6](#) [00-054007-70304-4](#) [01-2065-1-0216](#) [01-2900-1-04412](#) [00581P0075](#) [600TS-10](#) [60205-1](#) [604200-1](#) [605601-1](#) [60598-1-CUT-TAPE](#) [61314-6-C](#) [61810-3](#) [61-S](#) [61-SN](#) [626-0194](#) [62-NBM-A](#) [62-SN](#) [62-SP](#) [63-S](#) [640179-1](#) [M55155/059I03](#) [M55155/079C01](#) [M55155/099H02](#) [M55155/109H01](#) [M55155/109H02](#) [M55155/12XH05](#) [M55155/16XH02](#) [M55155/29-5S](#)