

NOTES:

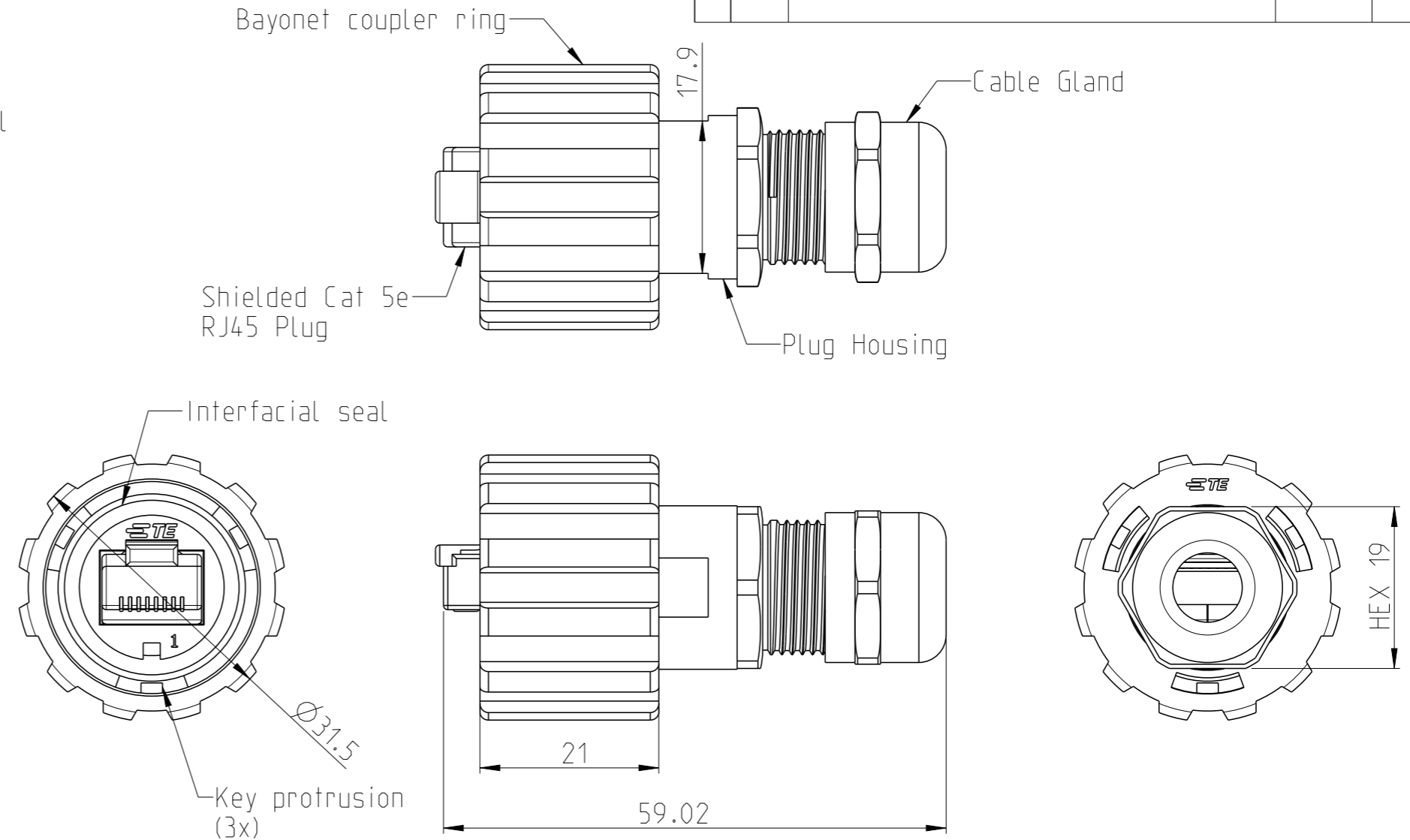
- 1. Electrical specifications:
  - Meets EIA/TIA-568-B.2 Cat 5e specification
  - Contact resistance: 20 mOhm max.
  - Insulation resistance: 500 MOhm min. @ 100 V DC
  - Current rating: 1.2 A max. at 25° C
  - Working voltage: 100 V DC
  - D W voltage: 1000 V DC/60 s contact to contact  
: 1500 V DC/60 s contact to metal shell
  - Temperature range: -40°C to +80°C

- 2. Material And Finish:
  - Coupler ring: Zink die-cast, nickel plated
  - Plug housing: Zink die-cast, nickel plated
  - Interfacial seal: Silicone, transparent
  - Cable gland: Brass, nickel plated
  - Cable gland rubber ring: NBR, black
  - RJ45 Plug metal shell: Copper alloy, nickel plated
  - RJ45 Plug plastic housing: PC UL 94 V-2, clear
  - RJ45 Plug contact: Phosphor bronze, finish: min. 50µ" gold over nickel

- 3. IP67, rated when covered or fully mated with the appropriate mating connector
- 4. RJ45 Plug accepts both stranded and solid wire with outer diameter of 4.83mm to 6.73mm
- 5. Cable fitting accepts cable outer diameter range of 4.5mm to 8mm
- 6. RoHS compliant
- 7. Packaging Spec: 107-19763

- 8. Material And Finish:
  - Coupler ring: PBT UL 94 V-0, black
  - Plug housing: PBT UL 94 V-0, black
  - Interfacial seal: Silicone, transparent
  - Cable gland: PBT UL 94 V-0, black
  - Cable gland rubber ring: NBR, black
  - RJ45 Plug metal shell: Copper alloy, nickel plated
  - RJ45 Plug plastic housing: PC UL 94 V-2, clear
  - RJ45 Plug contact: Phosphor bronze, finish: min. 50µ" gold over nickel

REVISIONS					
P	LTR	DESCRIPTION	DATE	DWN	APVD
	A	INITIAL RELEASE	18NOV2019	SS	JK
	A1	CABLE GLAND MATERIAL CORRECTION: NOTE 8	10FEB2022	SS	KP



E81956	⚠8	2362760-2
E81956	⚠2	2362760-1
UL NO.	MATERIAL	TEPN

THIS DRAWING IS A CONTROLLED DOCUMENT.		DWN S SHARMA 18OCT2019	TE Connectivity														
DIMENSIONS: mm		CHK J. Krogt van der 18OCT2019															
TOLERANCES UNLESS OTHERWISE SPECIFIED:		APVD J.de BRULIN 18OCT2019	NAME RJ45 PLUG KIT SHIELDED CAT 5e RJ45 PLUG														
<table border="1"> <tr><td>0 PLC</td><td>±0.50</td></tr> <tr><td>1 PLC</td><td>±0.38</td></tr> <tr><td>2 PLC</td><td>±0.25</td></tr> <tr><td>3 PLC</td><td>±0.10</td></tr> <tr><td>4 PLC</td><td>±</td></tr> <tr><td>ANGLES</td><td>±3°</td></tr> </table>		0 PLC	±0.50	1 PLC	±0.38	2 PLC	±0.25	3 PLC	±0.10	4 PLC	±	ANGLES	±3°	PRODUCT SPEC -	APPLICATION SPEC 114-19162		
0 PLC	±0.50																
1 PLC	±0.38																
2 PLC	±0.25																
3 PLC	±0.10																
4 PLC	±																
ANGLES	±3°																
MATERIAL SEE TABLE		WEIGHT -	SIZE A3	CAGE CODE 00779	DRAWING NO C-2362760												
-		RESTRICTED CUSTOMER	SCALE 3:2	SHEET 1 OF 1	REV A1												

## X-ON Electronics

Largest Supplier of Electrical and Electronic Components

*Click to view similar products for [Modular Connectors / Ethernet Connectors](#) category:*

*Click to view products by [TE Connectivity](#) manufacturer:*

Other Similar products are found below :

[8949-H88/06BLKA/SN](#) [74441-0010/BKN](#) [MP1010RX-1000](#) [MP44RX-1000](#) [PHJ-4P4C-1-V-4](#) [PHP-6P6C-5](#) [GAX-3-66](#) [GAX-8-62](#) [GDCX-PA-66-50](#) [GDCX-PN-64](#) [GDCX-PN-66](#) [GDCX-PN-66-50](#) [GDLX-A-66](#) [GDLX-N-66](#) [GDLX-S-66](#) [GDLX-S-88K](#) [GDLX-SMT-S-88](#) [GDTX-S-88-50](#) [GDX-PA-1010](#) [GLX-N-1010M-BLK](#) [GLX-S-88M-BLK](#) [GMX-N-1010](#) [GMX-S-1010](#) [GMX-S-66](#) [GMX-SMT4-N-88](#) [GPX-2-64](#) [GSGX-N-2-88](#) [GSGX-N-4-88](#) [GSX-NS2-88-3.05](#) [GSX-NS2-88-3.05-50](#) [GSX-NS-88-3.05-50](#) [PT-108A-8C-UL](#) [PT-J951-8C](#) [PTS-J531-8CS-50UL](#) [1-1775629-2](#) [A-2014-0-4](#) [GWLX-S-88-GR](#) [GWLX-S9-88-YG](#) [DC-1021-8-WH-6](#) [1300530003](#) [1324640-4](#) [RJ11FTVC2G](#) [RJ11FTVC2N](#) [RJFTVX2SA1G](#) [132764-001](#) [1413235](#) [MP88X-1000](#) [MPS88RX-5000](#) [E5288-S000K3-L](#) [E5908-15A242-L](#)